

FM Clock Radio

Operating Instructions

DREAM MACHINE

Dream Machine is a trademark of Sony Corporation.

ICF-C201

© 2006 Sony Corporation Printed in China



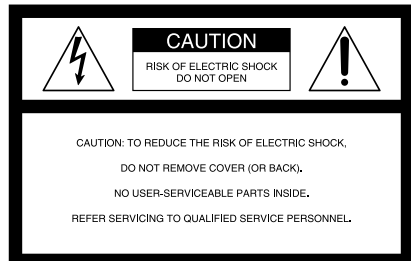
Printed on 100% recycled paper using VOC (Volatile Organic Compound)-free vegetable oil based ink.

<http://www.sony.net/>

For customers who purchased this product in the USA
Please register this product on line at <http://www.sony.com/productregistration>.
Proper registration will enable us to send you periodic mailings about new products, services, and other important announcements. Registering your product will also allow us to contact you in the unlikely event that the product needs adjustment or modification. Thank you.

WARNING

To reduce the risk of fire or electric shock, do not expose this apparatus to rain or moisture.



This symbol is intended to alert the user to the presence of uninsulated "dangerous voltage" within the product's enclosure that may be of sufficient magnitude to constitute a risk of electric shock to persons.

This symbol is intended to alert the user to the presence of important operating and maintenance (servicing) instructions in the literature accompanying the appliance.

* The graphical symbols are on the bottom enclosure.

WARNING

You are cautioned that any changes or modifications not expressly approved in this manual could void your authority to operate this equipment.

Features

- 0.7 inch red LED display
- Single alarm
- Power back-up function to keep the clock during a power interruption, using a 6F22 battery (not supplied)

IMPORTANT SAFEGUARDS

For your protection, please read these safety instructions completely before operating the appliance, and keep this manual for future reference. Carefully observe all warnings, precautions and instructions on the appliance and in the operating instructions, and adhere to them.

INSTALLATION

Water and Moisture

Do not use powerline operated appliances near water - for example, near a bathtub, washbowl, kitchen sink, or laundry tub, in a wet basement, or near a swimming pool, etc.

Heat

Do not place the appliance near or over a radiator or heat register, or where it is exposed to direct sunlight.

Ventilation

The slots and openings in the cabinet are provided for necessary ventilation. To ensure reliable operation of the appliance, and to protect it from overheating, these slots and openings must never be blocked or covered.

-Never cover the slots and openings with a cloth or other materials.

-Never block the slots and openings by placing the appliance on a bed, sofa, rug or other similar surface.

-Never place the appliance in a confined space, such as a bookcase, or built-in cabinet, unless proper ventilation is provided.

Accessories

Do not place the appliance on an unstable cart, stand, tripod, bracket, or table. The appliance may fall, causing serious injury to a child or an adult, and serious damage to the appliance. Use only a cart, stand, tripod, bracket, or table recommended by Sony.

-An appliance and cart combination should be moved with care. Quick stops, excessive force, and uneven surfaces may cause the appliance and cart combination to overturn.

Wall or Ceiling Mounting

If your appliance can be mounted to a wall or ceiling, mount it only as recommended by Sony.

USE

Power Source

This appliance should be operated only from the type of power source indicated on the marking label. If you are not sure of the type of electrical power supplied to your home, consult your dealer or local power company. For those appliances designed to operate from battery power, or other sources, refer to the operating instructions.

Grounding or Polarization

This appliance is equipped with a polarized AC power cord plug (a plug having one blade wider than the other), or with a three-wire grounding type plug (a plug having a third pin for grounding). Follow the instructions below:

-For the appliance with a polarized AC power cord plug:

This plug will fit into the power outlet only one way. This is a safety feature. If you are unable to insert the plug fully into the outlet, try reversing the plug. If the plug should still fail to fit, contact your electrician to have a suitable outlet installed. Do not defeat the safety purpose of the polarized plug by forcing it in.

-For the appliance with a three-wire grounding type AC plug:

This plug will only fit into a grounding-type power outlet. This is a safety feature. If you are unable to insert the plug into the outlet, contact your electrician to have a suitable outlet installed. Do not defeat the safety purpose of the grounding plug.

Overloading

Do not overload wall outlets, extension cords or convenience receptacles beyond their capacity, since this can result in fire or electric shock.

When not in use

Unplug the power cord of the appliance from the outlet when left unused for a long period of time. To disconnect the cord, pull it out by grasping the plug. Never pull the plug out by the cord.

Power-Cord Protection

Route the power cord so that it is not likely to be walked on or pinched by items placed upon or against them, paying particular attention to the plugs, receptacles, and the point where the cord exits from the appliance.

Lightning

For added protection for this appliance during a lightning storm, or when it is left unattended and unused for long periods of time, unplug it from the wall outlet and disconnect the antenna or cable system. This will prevent damage to the appliance due to lightning and powerline surges.

Object and Liquid Entry

Never push objects of any kind into the appliance through openings as they may touch dangerous voltage points or short out parts that could result in a fire or electric shock. Never spill liquid of any kind on the appliance.

Cleaning

Unplug the appliance from the wall outlet before cleaning or polishing it. Do not use liquid cleaners or aerosol cleaners. Use a cloth lightly dampened with water for cleaning the exterior of the appliance. Clean the appliance only as recommended by Sony.

Attachments

Do not use attachments not recommended by Sony, as they may cause hazards.

ANTENNAS

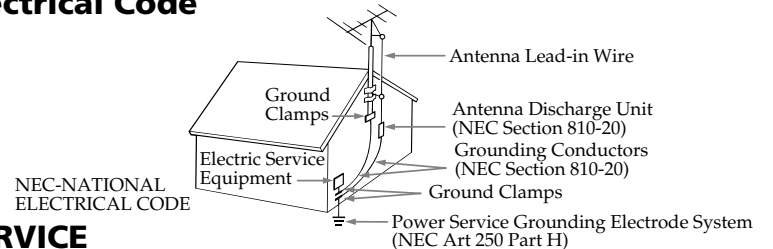
Outdoor Antenna Grounding

If an outdoor antenna or cable system is installed, follow the precautions below.

An outdoor antenna system should not be located in the vicinity of overhead power lines or other electric light or power circuits, or where it can come in contact with such power lines or circuits. WHEN INSTALLING AN OUTDOOR ANTENNA SYSTEM, EXTREME CARE SHOULD BE TAKEN TO KEEP FROM CONTACTING SUCH POWER LINES OR CIRCUITS AS CONTACT WITH THEM IS ALMOST INVARIABLY FATAL.

Be sure the antenna system is grounded so as to provide some protection against voltage surges and built-up static charges. Section 810 of the National Electrical Code provides information with respect to proper grounding of the mast and supporting structure, grounding of the lead-in wire to an antenna discharge unit, size of grounding conductors, location of antenna-discharge unit, connection to grounding electrodes, and requirements for the grounding electrode.

Antenna Grounding According to the National Electrical Code



SERVICE

Damage Requiring Service

Unplug the appliance from the wall outlet and refer servicing to qualified service personnel under the following conditions:

- When the power cord or plug is damaged or frayed.
- If liquid has been spilled or objects have fallen into the appliance.
- If the appliance has been exposed to rain or water.
- The appliance does not appear to operate normally or exhibits a marked change in performance.
- This indicates a need for service.

-If the appliance does not operate normally when following the operating instructions, adjust only those controls that are specified in the operating instructions. Improper adjustment of other controls may result in damage and will often require extensive work by a qualified technician to restore the appliance to normal operation.

-If the appliance has been subject to excessive shock by being dropped, or the cabinet has been damaged.

Servicing

Do not attempt to service the appliance yourself as opening or removing covers may expose you to dangerous voltage or other hazards.

Refer all servicing to qualified service personnel.

Replacement parts

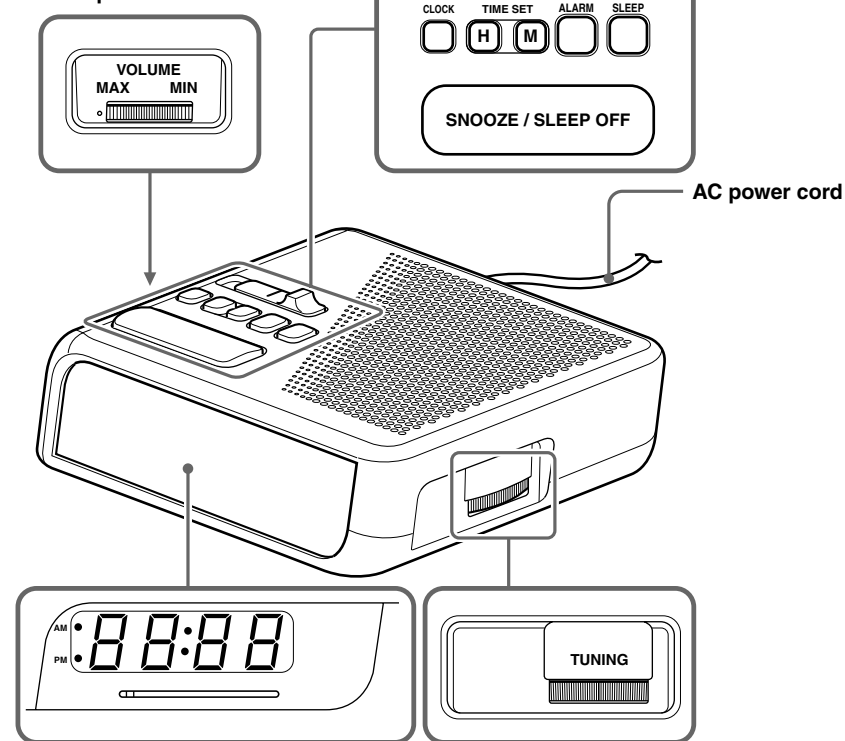
When replacement parts are required, be sure the service technician has used replacement parts specified by Sony that have the same characteristics as the original parts.

Unauthorized substitutions may result in fire, electric shock, or other hazards.

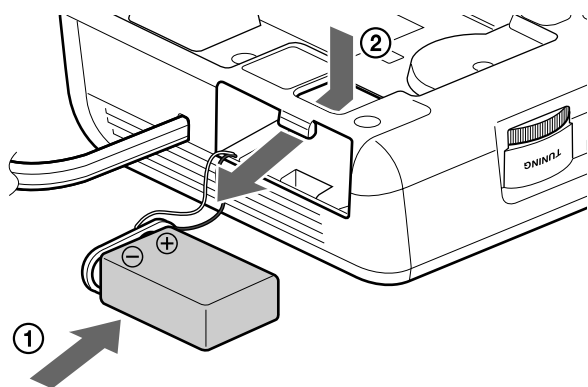
Safety Check

Upon completion of any service or repairs to the appliance, ask the service technician to perform routine safety checks (as specified by Sony) to determine that the appliance is in safe operating condition.

There is a tactile dot beside **VOLUME** to show the direction to turn up the volume.



A



Installing the battery

To keep good time, your Dream Machine needs one 6F22 battery (not supplied), in addition to house current. The battery keeps the clock operating in the event of a power interruption.

Before setting the time on your Dream Machine, install the battery with correct polarity.

Installing the battery (see Fig. A-①)

Clip the battery in place observing correct polarity, and insert it in the battery compartment until it clicks into position.

Removing the battery (see Fig. A-②)

Turn the unit upside down and push the battery forward from the battery compartment.

- After a power interruption, the displayed time may not always be correct (it may gain or lose about 10 minutes per hour).

Knowing when to replace the battery

To check battery power, unplug the AC power cord from the wall outlet and plug it in again after a few minutes. If the displayed time is incorrect, replace the battery with a new one.

Battery warning

When the unit will be left unplugged for a long time, remove the battery to avoid undue battery discharge and damage to the unit from battery leakage.

Setting the Clock

- 1 Plug in the unit.
The display will flash "AM 12:00".
 - 2 To set the hour, while holding down **CLOCK**, press **TIME SET H**. When the correct hour appears in the display, release **CLOCK**.
 - 3 To set the minute, while holding down **CLOCK**, press **TIME SET M**. When the correct minute appears in the display, release **CLOCK**.
The clock will begin to operate when you release **TIME SET M**.
- Each press on **TIME SET H** or **TIME SET M** advances the displayed number by one.
 - The minute digits advance to "00" after "59". The hour digits do not advance by pressing **TIME SET M**.
 - To adjust the time exactly to the second, set the time one minute behind the time you want to set. Press **TIME SET M** simultaneously with the time signal.

Playing the Radio

- 1 Set the function selector to **RADIO ON** to turn on the radio and adjust **VOLUME**.
 - 2 Tune in to a station using **TUNING**.
- To turn off the radio, set the function selector to **OFF**.

Improving the reception

FM: The AC power cord functions as an FM antenna. Extend the AC power cord fully to increase reception sensitivity.

Do not operate the unit over a steel desk or metal surface, as this may lead to interference of reception.

Setting the Alarm

To set the radio alarm, first tune in to a station and adjust the volume.

- 1 To set the hour for alarm, while holding down **ALARM**, press **TIME SET H**. When the desired hour appears in the display, release **ALARM**.
 - 2 To set the minute for alarm, while holding down **ALARM**, press **TIME SET M**. When the desired minute appears in the display, release **ALARM**.
 - 3 Set the function selector to **ALARM MODE • RADIO** or **ALARM MODE • BUZZER**.
The alarm will come on at the preset time and automatically turn itself off after 119 minutes.
- To shut off the alarm, set the function selector to **OFF**. To sound the alarm at the preset time the next day, set the function selector to **ALARM MODE • RADIO** or **ALARM MODE • BUZZER** again.
 - To deactivate the alarm, set the function selector to **OFF**.
 - To doze a few more minutes, press **SNOOZE / SLEEP OFF**.
The alarm will shut off but will come on again after about 9 minutes. You can use this function as many times as you like.
 - To adjust the radio alarm volume, turn **VOLUME**. The buzzer volume is fixed.
 - To check the preset time, press **ALARM**.

Setting the Sleep Timer

Enjoy falling asleep to the radio using the built-in sleep timer that shuts off the radio automatically.

- 1 While listening to the radio, set the function selector to **OFF**.
 - 2 Press **SLEEP**.
The radio turns on. It will go off after 59 minutes.
- To turn off the radio before the preset time, press **SNOOZE/SLEEP OFF**.
 - Every time you press **SLEEP**, the sleep timer is reset to 59 minutes.
 - When you set the function selector to **ALARM MODE • RADIO** or **ALARM MODE • BUZZER**, if the preset alarm time comes while the sleep timer is operating, the radio or buzzer sounds depending on which you set.

Precautions

- Operate the unit on the power sources specified in "Specifications".
- To disconnect the power cord (mains lead), pull it out by the plug, not the cord.
- Do not leave the unit in a location near a heat source such as a radiator or air duct, or in a place subject to direct sunlight, excessive dust, mechanical vibration, or shock.
- Allow adequate air circulation to prevent internal heat build-up. Do not place the unit on a surface (a rug, a blanket, etc.) or near materials (a curtain) which might block the ventilation holes.
- Should any solid object or liquid fall into the unit, unplug the unit and have it checked by a qualified personnel before operating it any further.
- To clean the casing, use a soft cloth dampened with a mild detergent solution.

If you have any questions or problems concerning your unit, please consult your nearest Sony dealer.

Specifications

- Time display:**
12 hour system
- Frequency range:**
FM: 87.5 – 108 MHz
- Speaker:**
Approx. 5.7 cm (2 1/4 inches) dia., 8 Ω
- Power output:**
150 mW (at 10 % harmonic distortion)
- Power requirements:**
120 V AC, 60 Hz
For the power back-up function: 9 V DC, one 6F22 battery
- Battery life:**
Approx. 80 hours, using Sony 006P (6F22) battery
- Dimensions:**
Approx. 143 × 54.5 × 117.5 mm (w/h/d)
(5 3/4 × 2 1/4 × 4 3/4 inches) incl. projecting parts and controls
- Mass:**
Approx. 370 g (13 oz) not incl. battery

Design and specifications are subject to change without notice.

eco info Lead-free solder is used for soldering. Halogenated flame retardants are not used in printed wiring boards.

SONY

Tape Cassette Player/Recorder/CD Player/Mini Disc
DAT/Radio/Head Phone/Speaker/MIC/Personals

Portable Audio

LIMITED WARRANTY

Sony Electronics Inc. ("Sony") warrants this Product (including any accessories) against defects in material or workmanship as follows:

1. For a period of one (1) year from the date of purchase if this Product is determined to be defective, Sony will repair or replace the Product, at its option, at no charge. After this one (1) year period, you must pay for the replacement unit. This warranty does not cover costs incurred in connection with the removal and re-installation of radios, speakers or accessories, nor does it cover any other contingent expenses.

2. To obtain warranty service, you must take the Product, or deliver the Product freight prepaid, in either its original packaging or packaging affording an equal degree of protection, to any Factory Sony Service facility or to the Laredo Fulfillment Center. See below for additional information.

This warranty does not cover customer instruction, installation, set up adjustments or signal reception problems.

This warranty does not cover cosmetic damage or damage due to acts of God, accident, misuse, abuse, negligence, commercial use, or modification of, or to any part of the Product, including the antenna. This warranty does not cover damage due to improper operation or maintenance, connection to improper voltage supply, or attempted repair by anyone other than a facility authorized by Sony to service the Product. This warranty does not cover Products sold AS IS or WITH ALL FAULTS, or consumables (such as fuses or batteries). This warranty is valid only in the United States.

Proof of purchase in the form of a bill of sale or receipted invoice which is evidence that the unit is within the Warranty period must be presented to obtain warranty service.

This warranty is invalid if the factory applied serial number has been altered or removed from the Product.

REPAIR OR REPLACEMENT AS PROVIDED UNDER THIS WARRANTY IS THE EXCLUSIVE REMEDY OF THE CONSUMER. SONY SHALL NOT BE LIABLE FOR ANY INCIDENTAL OR CONSEQUENTIAL DAMAGES FOR BREACH OF ANY EXPRESS OR IMPLIED WARRANTY ON THIS PRODUCT. EXCEPT TO THE EXTENT PROHIBITED BY APPLICABLE LAW, ANY IMPLIED WARRANTY OF MERCHANTABILITY OR FITNESS FOR A PARTICULAR PURPOSE ON THIS PRODUCT IS LIMITED IN DURATION TO THE DURATION OF THIS WARRANTY.

Some states do not allow the exclusion or limitation of incidental or consequential damages, or allow limitations on how long an implied warranty lasts, so the above limitations or exclusions may not apply to you. In addition, if you enter into a service contract with the Sony Partnership within 90 days of the date of sale, the limitation on how long an implied warranty lasts does not apply to you. This warranty gives you specific legal rights, and you may have other rights which vary from state to state.

The Address of the Laredo Fulfillment Center is:

Laredo Fulfillment Center
10227 Crossroads Loop Suite B
Laredo, TX 78045

For your convenience, Sony Electronics Inc. has established telephone numbers for frequently asked questions:

To locate the servicer or dealer nearest you, or for service assistance or resolution of a service problem, or for product information or operation, call:

Sony Customer Information Services Center
1-800-222-7669
or visit the Sony Web Site:
www.sony.com

For an accessory or part not available from your authorized dealer, call:

1-800-488-SONY (7669)