



Thank you for choosing Philips.

Need help fast?

Read your Quick Start Guide and/or User Manual first for quick tips that make using your Philips product more enjoyable.

If you have read your instructions and still need assistance, you may access our online help at

www.philips.com/welcome or call

1-888-PHILIPS (744-5477) while with your product. (and Model / Serial number)



Philips vous remercie de votre confiance.

Besoin d'une aide rapide?

Le Guide rapide de début et Manuel de l'utilisateur regorgent d'astuces destinées à simplifier l'utilisation de votre produit Philips.

Toutefois, si vous ne parvenez pas à résoudre votre problème, vous pouvez accéder à notre aide en ligne à l'adresse

www.philips.com/welcome ou formez le

1-800-661-6162 (Francophone)
1-888-PHILIPS (744-5477) (English speaking)

Veillez à avoir votre produit à portée de main.

(et model / serial nombre)



Gracias por escoger Philips

Necesita ayuda inmediata?

Lea primero la Guía rápida del comienzo o el Manual del usuario, en donde encontrará consejos que le ayudarán a disfrutar plenamente de su producto Philips.

Si después de leerlo aún necesita ayuda, consulte nuestro servicio de asistencia en línea en

www.philips.com/welcome o llame al teléfono

1-888-PHILIPS (744-5477) y tenga a mano el producto. (y número de model / serial)



EN	User manual	3
ES	Manual del usuario	17
FR	Mode d'emploi	33

Canada

English:

This digital apparatus does not exceed the Class B limits for radio noise emissions from digital apparatus as set out in the Radio Interference Regulations of the Canadian Department of Communications. This Class B digital apparatus complies with Canadian ICES-003.

Français:

Cet appareil numérique n'émet pas de bruits radioélectriques dépassant les limites applicables aux appareils numériques de Classe B prescrites dans le Règlement sur le Brouillage Radioélectrique édicté par le Ministère des Communications du Canada. Cet appareil numérique de la classe B est conforme à la norme NMB-003 du Canada.

The set complies with the FCC-Rules, Part 15 and with 21 CFR 1040.10. Operation is subject to the following two conditions:

1. This device may not cause harmful interference, and
2. This device must accept any interference received, including interference that may cause undesired operation.

L'appareil est conforme à la réglementation FCC, section 15, et à la norme 21 CFR 1040.10. Son utilisation est soumise à deux conditions :

1. L'appareil ne doit pas provoquer d'interférences nuisibles, et
2. L'appareil doit supporter les interférences reçues, y compris les interférences empêchant son fonctionnement correct.

Return your **Product Registration Card** or register online at
www.philips.com/welcome today to get the very most from your purchase.

Registering your model with PHILIPS makes you eligible for all of the valuable benefits listed below, so don't miss out. Complete and return your Product Registration Card at once, **or register online at www.philips.com/welcome** to ensure:

*Proof of Purchase

Returning the enclosed card guarantees that your date of purchase will be on file, so no additional paperwork will be required from you to obtain warranty service.

*Product Safety Notification

By registering your product, you'll receive notification - directly from the manufacturer - in the rare case of a product recall or safety defect.

*Additional Benefits

Registering your product guarantees that you'll receive all of the privileges to which you're entitled, including special money-saving offers.

PHILIPS

Congratulations on your purchase, and welcome to the "family!"

Dear PHILIPS product owner:

Thank you for your confidence in PHILIPS. You've selected one of the best-built, best-backed products available today. We'll do everything in our power to keep you happy with your purchase for many years to come. As a member of the PHILIPS "family," you're entitled to protection by one of the most comprehensive warranties and outstanding service networks in the industry. What's more, your purchase guarantees you'll receive all the information and special offers for which you qualify, plus easy access to accessories from our convenient home shopping network.

Most importantly, you can count on our uncompromising commitment to your total satisfaction.

All of this is our way of saying welcome - and thanks for investing in a PHILIPS product.


P.S. To get the most from your PHILIPS purchase, be sure to complete and return your Product Registration Card at once, or register online at:


www.philips.com/welcome

Know these

safety symbols



 This "bolt of lightning" indicates uninsulated material within your unit may cause an electrical shock. For the safety of everyone in your household, please do not remove product covering.

 The "exclamation point" calls attention to features for which you should read the enclosed literature closely to prevent operating and maintenance problems.

WARNING: To reduce the risk of fire or electric shock, this apparatus should not be exposed to rain or moisture and objects filled with liquids, such as vases, should not be placed on this apparatus.

CAUTION: To prevent electric shock, match wide blade of plug to wide slot, fully insert.

ATTENTION: Pour éviter les choc électriques, introduire la lame la plus large de la fiche dans la borne correspondante de la prise et pousser jusqu'au fond.

For Customer Use

Enter below the Serial No. which is located on the rear of the cabinet. Retain this information for future reference.

Model No. _____
 Serial No. _____

PHILIPS

Visit our World Wide Web Site at <http://www.philips.com/welcome>

PHILIPS LIMITED WARRANTY

ONE (1) YEAR

WARRANTY COVERAGE:

PHILIPS warranty obligation is limited to the terms set forth below.

WHO IS COVERED:

Philips warrants the product to the original purchaser or the person receiving the product as a gift against defects in materials and workmanship as based on the date of original purchase ("Warranty Period") from an Authorized Dealer. The original sales receipt showing the product name and the purchase date from an authorized retailer is considered such proof.

WHAT IS COVERED:

The Philips warranty covers new products if a defect in material or workmanship occurs and a valid claim is received by Philips within the Warranty Period. At its option, Philips will either (1) repair the product at no charge, using new or refurbished replacement parts, or (2) exchange the product with a product that is new or which has been manufactured from new, or serviceable used parts and is at least functionally equivalent or most comparable to the original product in Philips current inventory, or (3) refund the original purchase price of the product. Philips warrants replacement products or parts provided under this warranty against defects in materials and workmanship from the date of the replacement or repair for ninety (90) days or for the remaining portion of the original product's warranty, whichever provides longer coverage for you. When a product or part is exchanged, any replacement item becomes your property and the replaced item becomes Philips' property. When a refund is given, your product becomes Philips' property.

Note: Any product sold and identified as refurbished or renewed carries a ninety (90) day limited warranty.

Replacement product can only be sent if all warranty requirements are met. Failure to follow all requirements can result in delay.

WHAT IS NOT COVERED - EXCLUSIONS AND LIMITATIONS:

This Limited Warranty applies only to the new products manufactured by or for Philips that can be identified by the trademark, trade name, or logo affixed to it. This Limited Warranty does not apply to any non-Philips hardware product or any software, even if packaged or sold with the product. Non-Philips manufacturers, suppliers, or publishers may provide a separate warranty for their own products packaged with the bundled product.

Philips is not liable for any damage to or loss of any programs, data, or other information stored on any media contained within the product, or any non-Philips product or part not covered by this warranty. Recovery or reinstallation of programs, data or other information is not covered under this Limited Warranty.

This warranty does not apply (a) to damage caused by accident, abuse, misuse, neglect, misapplication, or non-Philips product, (b) to damage caused by service performed by anyone other than Philips or Philips Authorized Service Location, (c) to a product or a part that has been modified without the written permission of

Philips, or (d) if any Philips serial number has been removed or defaced, or (e) product, accessories or consumables sold "AS IS" without warranty of any kind by including refurbished Philips product sold "AS IS" by some retailers.

This Limited Warranty does not cover:

- Shipping charges to return defective product to Philips.
- Labor charges for installation or setup of the product, adjustment of customer controls on the product, and installation or repair of antenna/signal source systems outside of the product.
- Product repair and/or part replacement because of improper installation or maintenance, connections to improper voltage supply, power line surge, lightning damage, retained images or screen markings resulting from viewing fixed stationary content for extended periods, product cosmetic appearance items due to normal wear and tear, unauthorized repair or other cause not within the control of Philips.
- Damage or claims for products not being available for use, or for lost data or lost software.
- Damage from mishandled shipments or transit accidents when returning product to Philips.
- A product that requires modification or adaptation to enable it to operate in any country other than the country for which it was designed, manufactured, approved and/or authorized, or repair of products damaged by these modifications.
- A product used for commercial or institutional purposes (including but not limited to rental purposes).
- Product lost in shipment and no signature verification receipt can be provided.
- Failure to operate per Owner's Manual.

TO OBTAIN ASSISTANCE IN THE U.S.A., PUERTO RICO, OR U.S. VIRGIN ISLANDS...

Contact Philips Customer Care Center at:
1-888-PHILIPS (1-888-744-5477)

TO OBTAIN ASSISTANCE IN CANADA...

1-800-661-6162 (French Speaking)
1-888-PHILIPS (1-888-744-5477) - (English or Spanish Speaking)

REPAIR OR REPLACEMENT AS PROVIDED UNDER THIS WARRANTY IS THE EXCLUSIVE REMEDY FOR THE CONSUMER. PHILIPS SHALL NOT BE LIABLE FOR ANY INCIDENTAL OR CONSEQUENTIAL DAMAGES FOR BREACH OF ANY EXPRESS OR IMPLIED WARRANTY ON THIS PRODUCT. EXCEPT TO THE EXTENT PROHIBITED BY APPLICABLE LAW, ANY IMPLIED WARRANTY OF MERCHANTABILITY OR FITNESS FOR A PARTICULAR PURPOSE ON THIS PRODUCT IS LIMITED IN DURATION TO THE DURATION OF THIS WARRANTY.

Some states do not allow the exclusions or limitation of incidental or consequential damages, or allow limitations on how long an implied warranty lasts, so the above limitations or exclusions may not apply to you.

This warranty gives you specific legal rights. You may have other rights which vary from state/province to state/province.

Philips, P.O. Box 671539, Marietta, GA. 30006-0026

3121 233 48802

Contents

1	Important	6
	Safety	6
	Notice	7

2	Your Docking Entertainment System	7
	Introduction	7
	What's in the box	7
	Overview of the main unit	8
	Overview of the remote control	9

3	Get started	10
	Connect power	10
	Set time and date	11
	Turn on	11

4	Play	12
	Play from iPod/iPhone	12
	Play from an external device	12

5	Listen to radio	13
	Tune to a radio station	13
	Program radio stations automatically	13
	Program radio stations manually	13
	Select a preset radio station	13

6	Other features	14
	Set the alarm timer	14
	Set the sleep timer	14
	Adjust display brightness	14

7	Adjust sound	15
	Adjust volume level	15
	Mute sound	15
	Select a preset sound effect	15
	Enhance bass	15

8	Product information	15
	Specifications	15

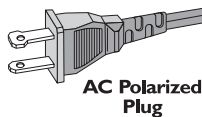
9	Troubleshooting	16
----------	------------------------	----

1 Important

Safety

Important Safety Instructions

- ① Read these instructions.
- ② Keep these instructions.
- ③ Heed all warnings.
- ④ Follow all instructions.
- ⑤ Do not use this apparatus near water.
- ⑥ Clean only with dry cloth.
- ⑦ Do not block any ventilation openings. Install in accordance with the manufacturer's instructions.
- ⑧ Do not install near any heat sources such as radiators, heat registers, stoves, or other apparatus (including amplifiers) that produce heat.
- ⑨ Do not defeat the safety purpose of the polarized or grounding-type plug. A polarized plug has two blades with one wider than the other. A grounding type plug has two blades and a third grounding prong. The wide blade or the third prong are provided for your safety. If the provided plug does not fit into your outlet, consult an electrician for replacement of the obsolete outlet.
- ⑩ Protect the power cord from being walked on or pinched, particularly at plugs, convenience receptacles, and the point where they exit from the apparatus.
- ⑪ Only use attachments/accessories specified by the manufacturer.



- ⑫ Use only with the cart, stand, tripod, bracket, or table specified by the manufacturer or sold with the apparatus. When a cart is used, use caution when moving the cart/apparatus combination to avoid injury from tip-over.
- ⑬ Unplug this apparatus during lightning storms or when unused for long periods of time.
- ⑭ Refer all servicing to qualified service personnel. Servicing is required when the apparatus has been damaged in any way, such as power-supply cord or plug is damaged, liquid has been spilled or objects have fallen into the apparatus, the apparatus has been exposed to rain or moisture, does not operate normally, or has been dropped.
- ⑮ Battery usage **CAUTION** – To prevent battery leakage which may result in bodily injury, property damage, or damage to the unit:
 - Install all batteries correctly, + and - as marked on the unit.
 - Do not mix batteries (old and new or carbon and alkaline, etc.).
 - Remove batteries when the unit is not used for a long time.
- ⑯ Apparatus shall not be exposed to dripping or splashing.
- ⑰ Do not place any sources of danger on the apparatus (e.g. liquid filled objects, lighted candles).
- ⑱ This product may contain lead and mercury. Disposal of these materials may be regulated due to environmental considerations. For disposal or recycling information, please contact your local authorities or the Electronic Industries Alliance: www.eiae.org.



- Where the MAINS plug or an appliance coupler is used as the disconnect device, the disconnect device shall remain readily operable.



Warning

- Never remove the casing of this apparatus.
- Never lubricate any part of this apparatus.
- Never place this apparatus on other electrical equipment.
- Keep this apparatus away from direct sunlight, naked flames or heat.
- Ensure that you always have easy access to the power cord, plug or adaptor to disconnect the apparatus from the power.

Notice

Any changes or modifications made to this device that are not expressly approved by Philips Consumer Lifestyle may void the user's authority to operate the equipment.

Environmental information

All unnecessary packaging has been omitted. We have tried to make the packaging easy to separate into three materials: cardboard (box), polystyrene foam (buffer) and polyethylene (bags, protective foam sheet.)

Your system consists of materials which can be recycled and reused if disassembled by a specialized company. Please observe the local regulations regarding the disposal of packaging materials, exhausted batteries and old equipment.

2 Your Docking Entertainment System

Congratulations on your purchase, and welcome to Philips! To fully benefit from the support that Philips offers, register your product at www.philips.com/welcome.

Introduction

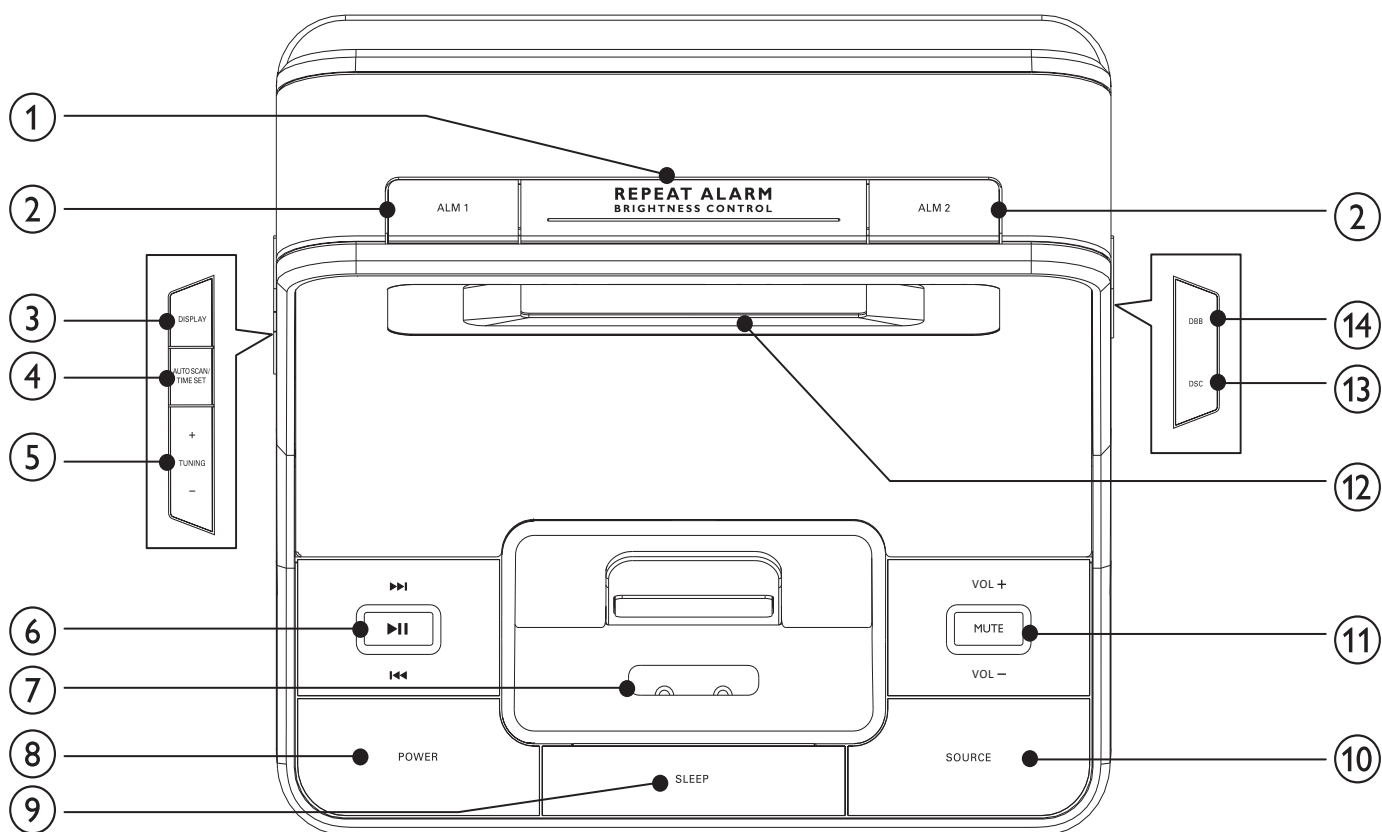
With this unit, you can enjoy audio from the iPod, iPhone, other audio devices, or the radio. The radio, iPod, or iPhone can be set as the alarm timer. You can set two alarm timers to go off at different time.

What's in the box

Check and identify the contents of your package:

- Main unit
- Remote control
- 1 x AC adaptor, GFP241DA-1220-1 (Philips)
- 1 x MP3 link cable
- User manual
- Quick start guide

Overview of the main unit



① REPEAT ALARM/BRIGHTNESS CONTROL

- Repeat the alarm.
- Adjust the display brightness.

② ALM 1/ALM 2

- Set the alarm timer.
- Turn off the alarm tone.
- View alarm settings.

③ DISPLAY

- View the clock time and date.

④ AUTO SCAN/TIME SET

- Set the clock.
- Program radio stations.

⑤ TUNING +/-

- Tune to a radio station.
- Adjust time.

⑥ ►||

- Start or pause iPod/iPhone play.



- Skip to the previous/next audio file.

- Search within an audio file.
- Select a preset radio station.
- Adjust time.

⑦ iPod/iPhone dock

- Load an iPod/iPhone.

⑧ POWER

- Turn on the unit or switch to standby mode.
- Deactivate the sleep timer.
- Stop alarm.

⑨ SLEEP

- Set the sleep timer.

⑩ SOURCE

- Select a source: iPod/iPhone, FM tuner or MP3 link.

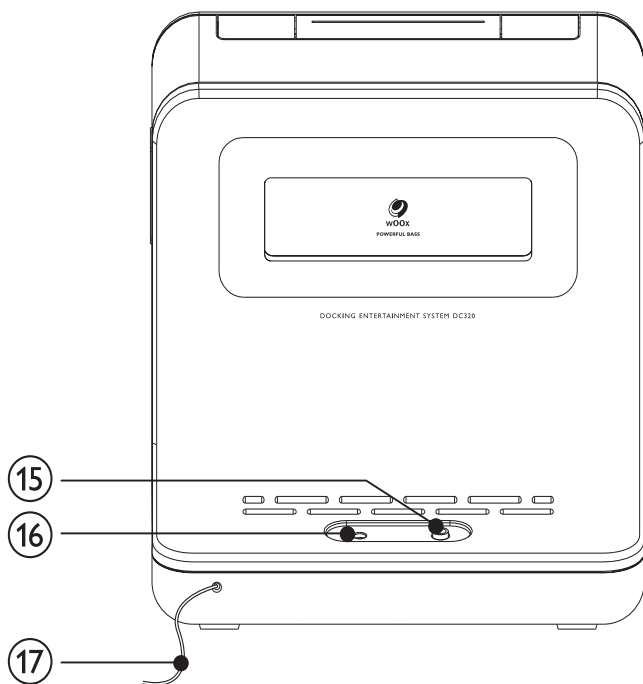
⑪ MUTE

- Mute/unmute sound.

VOL +/-

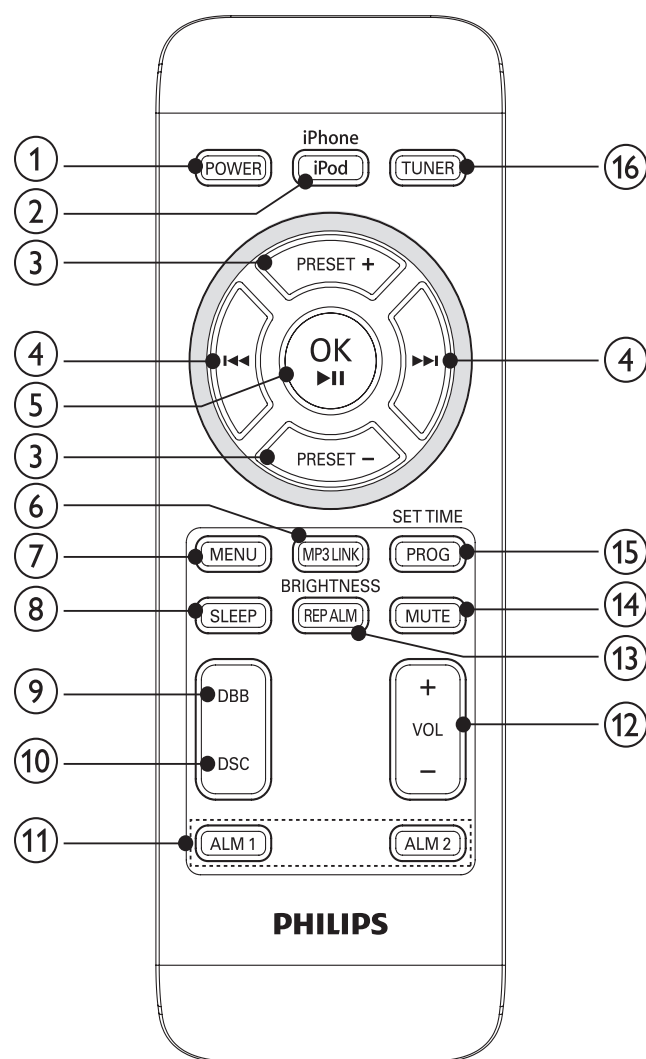
- Adjust volume.

- ⑫ **Display panel**
 - Show current status.
- ⑬ **DSC**
 - Select a preset sound setting.
- ⑭ **DBB**
 - Turn on or off dynamic bass enhancement.



- ⑮ **MP3-LINK**
 - Jack for an external audio device.
- ⑯ **DC IN**
 - Power supply socket.
- ⑰ **FM antenna**
 - Improve FM reception.

Overview of the remote control



- ① **POWER**
 - Turn on the unit or switch to standby mode.
 - Stop alarm.
 - Deactivate the sleep timer.
- ② **iPhone/iPod**
 - Select iPhone or iPod source.
- ③ **PRESET +/-**
 - Select a preset radio station.
 - Scroll through the iPod/iPhone menu.
- ④ **Navigation/OK**
 - Skip to the previous/next audio file.
 - Search within an audio file.
 - Adjust time.

- ⑤ **OK/▶||**
 - Start or pause iPod/iPhone play.
 - Confirm selection.
- ⑥ **MP3 LINK**
 - Select external audio device source.
- ⑦ **MENU**
 - Select the iPhone/iPod menu.
- ⑧ **SLEEP**
 - Set the sleep timer.
- ⑨ **DBB**
 - Turn on or off dynamic bass enhancement.
- ⑩ **DSC**
 - Select a preset sound setting.
- ⑪ **ALM 1/ALM 2**
 - Set the alarm timer.
 - Turn off the alarm tone.
 - View alarm settings.
- ⑫ **VOL +/-**
 - Adjust volume.
- ⑬ **BRIGHTNESS/REP ALM**
 - Adjust the display brightness.
 - Repeat the alarm.
- ⑭ **MUTE**
 - Mute volume.
- ⑮ **SET TIME/PROG**
 - Set the clock.
 - Program radio stations.
- ⑯ **TUNER**
 - Select tuner source.

3 Get started

Caution

- Use of controls or adjustments or performance of procedures other than herein may result in hazardous radiation exposure or other unsafe operation.

Always follow the instructions in this chapter in sequence.

If you contact Philips, you will be asked for the model and serial number of this apparatus. The model number and serial number are on the rear of the apparatus. Write the numbers here:
 Model No. _____
 Serial No. _____

Connect power

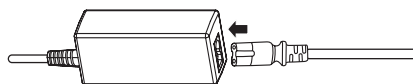
Caution

- Risk of product damage! Ensure that the power voltage corresponds to the voltage printed on the back or underside of the apparatus.
- Risk of electric shock! When you unplug the AC adaptor, always pull the plug from the socket. Never pull the cord.
- Before connecting the AC adaptor, ensure you have completed all other connections.

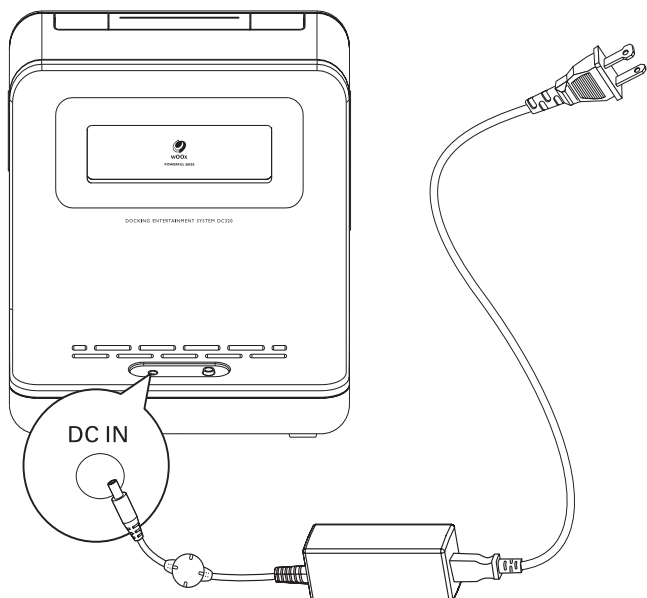
Note

- The type plate is located on the rear of the main unit.

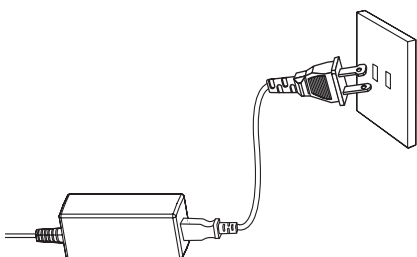
- 1 Prepare the AC power adaptor.



- 2 Connect one end of the AC adaptor to the **DC IN** socket on the main unit.



- 3 Connect the other end of the AC adaptor to the wall outlet.



Set time and date

- 1 In standby mode, press and hold **SET TIME/PROG** for 2 seconds.
↳ [12 HR] begins to blink.
- 2 Press **◀▶** to select 12/24 hour format.
- 3 Press **SET TIME/PROG** to confirm.
↳ The hour digits begin to blink.
- 4 Press **◀▶** to set the hour.
- 5 Press **SET TIME/PROG** to confirm.
↳ The minute digits begin to blink.
- 6 Repeat steps 4-5 to set the minute, year, month, and day.



Tip

- In 12 hour format, [MONTH--DAY] is displayed.
- in 24 hour format, [DAY--MONTH] is displayed.

Turn on

- 1 Press **POWER**.
↳ The unit switches to the last selected source.

Switch to standby

- 1 Press **POWER** again to switch the unit to standby mode.
↳ The time and date (if set) appear on the display panel.

4 Play

Play from iPod/iPhone

You can enjoy audio from iPod/iPhone through this unit.

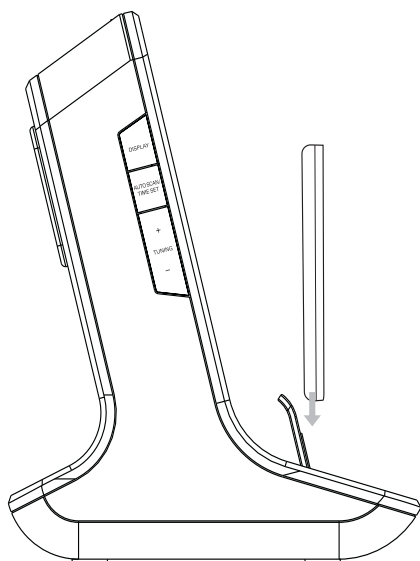
Compatible iPod/iPhone

Apple iPod and iPhone models with a 30-pin dock connector:

- iPod classic, iPod touch, iPod nano, iPod 5th generation (video)
- iPhone, iPhone 3G

Listen to the iPod/iPhone

- 1 Place the iPod/iPhone into the dock.



- 2 Press **SOURCE** repeatedly to select iPod/iPhone source.

↳ The connected iPod/iPhone plays automatically.

- To pause/resume play, press **▶||**.
- To skip to a track, press **◀◀▶▶**.
- To search during play, press and hold **◀◀▶▶**, then release to resume normal play.
- To go back to previous iPod/iPhone menu, press **MENU**. To scroll through the menu, press **PRESET +/-**. To confirm a selection, press **OK/▶||**.

↳ If no key is pressed for more than 10 seconds, **OK/▶||** acts back as the play/pause key.

Charge the iPod/iPhone

When the unit is connected to power, the docked iPod/iPhone begins to charge.



Tip

- For certain iPod models, it may take up to a minute before the charging indication appears.

Play from an external device

You can also listen to an external audio device through this unit.

- 1 Press **SOURCE** repeatedly to select MP3 link source.
- 2 Connect the supplied MP3 link cable to:
 - the **MP3 LINK** jack (3.5mm) on the back of the unit.
 - the headphone jack on an external device.
- 3 Start to play the device (see the device user manual).

5 Listen to radio

Note

- Only FM radio reception is available on this unit.

Tune to a radio station

Tip

- Position the antenna as far as possible from TV, VCR or other radiation source.

Note

- For optimal reception, fully extend and adjust the position of the antenna.

- 1 Press **TUNER** to select FM tuner.
- 2 Press and hold **◀◀/▶▶** on the remote control for more than 2 seconds.
 - ↳ **[SRCH]** (search) is displayed.
 - ↳ The radio tunes to a station with strong reception automatically.
- 3 Repeat step 2 to tune to more stations.
 - To tune to a weak station, press **◀◀/▶▶** repeatedly until you find optimal reception.

Program radio stations automatically

You can program a maximum of 20 preset radio stations.

- 1 In the tuner mode, press and hold **SET TIME/PROG** for more than 2 seconds to activate automatic program mode.
 - ↳ **[AUTO]** (auto) is displayed.
 - ↳ All available stations are programmed in the order of waveband reception strength.
 - ↳ The first programmed radio station is broadcast automatically.

Program radio stations manually

You can program a maximum of 20 preset radio stations.

- 1 Tune to a radio station.
- 2 Press **SET TIME/PROG** to activate the program mode.
- 3 Press **PRESET +/-** to select a number.
- 4 Press **SET TIME/PROG** to confirm.
- 5 Repeat the above steps to program other stations.

Tip

- To overwrite a programmed station, store another station in its place.

Select a preset radio station

- 1 Press **PRESET +/-** to select a preset number.

6 Other features

Set the alarm timer

You can set two alarms which go off at different time.

- 1 Ensure that you have set the clock correctly.
- 2 Press and hold **ALM 1** or **ALM 2** for 2 seconds.
↳ [AL 1] or [AL 2] begin to blink.
- 3 Press **SOURCE** to select an alarm sound source: iPod/iPhone, iPod/iPhone playlist, FM tuner, or buzzer.
- 4 Press **ALM 1** or **ALM 2**.
↳ Hour digits begin to blink.
- 5 Press **◀▶▶▶** repeatedly to set the hour.
- 6 Press **ALM 1** or **ALM 2** to confirm.
↳ Minute digits begin to blink.
- 7 Repeat steps 5-6 to set the minute.
- 8 Repeat steps 5-6 to select whether to ring alarm the whole week, on weekdays, or at weekend.
- 9 Repeat steps 5-6 to set the alarm volume.



Tip

- If you set iPhone/iPod playlist as the sound source, you must create a playlist in iTunes called "PHILIPS" and import it to your iPhone/iPod.
- If no playlist is created in the iPod/iPhone or there is no song in the playlist, the unit will wake to songs in the iPod/iPhone.

Activate and deactivate the alarm timer

- 1 Press **ALM 1** or **ALM 2** repeatedly to activate or deactivate the timer.
↳ If the timer is activated, [**🔔** AL 1] or [**🔔** AL2] is displayed.
↳ If the timer is deactivated, [**🔔** AL1] or [**🔔** AL2] disappears.

Repeat alarm

- 1 When the alarm rings, press **BRIGHTNESS/REP ALM**.
↳ The alarm repeats ringing minutes later.



Tip

- You can press **◀▶▶▶** to adjust the interval to repeat alarm.

Stop alarm ring

- 1 When the alarm rings, press the corresponding **ALM 1** or **ALM 2**.
↳ The alarm stops but the alarm settings remain.

View the alarm settings

- 1 Press **ALM 1** or **ALM 2**.

Set the sleep timer

This unit can switch to standby automatically after a set period of time.

- 1 Press **SLEEP** repeatedly to select a set period of time (in minutes).
↳ When the sleep timer is activated, the display shows **zZ**, and the volume will gradually decrease.

To deactivate sleep timer

- 1 Press **SLEEP** repeatedly until [**OFF**] (sleep off) is displayed.
↳ When the sleep timer is deactivated, **zZ** disappears on the display.

Adjust display brightness

- 1 Press **BRIGHTNESS/REP ALM** repeatedly to select different levels of display brightness.

7 Adjust sound

Adjust volume level

- 1 During play, press **VOL +/-** to increase/decrease the volume level.

Mute sound

- 1 During play, press **MUTE** to mute/unmute sound.

Select a preset sound effect

- 1 During play, press **DSC** repeatedly to select:
 - [POP] (pop)
 - [JAZZ] (jazz)
 - [CLAS] (classic)
 - [ROCK] (rock)

Enhance bass

- 1 During play, press **DBB** to turn on or off dynamic bass enhancement.
 - ↳ If DBB is activated, [DBB] is displayed.

8 Product information



Note

- Product information is subject to change without prior notice.

Specifications

Amplifier

Rated Output Power	2 × 6 W RMS
Frequency Response	125 Hz - 16 kHz, ±3 dB
Signal to Noise Ratio	>55 dB
MP3 link	500 mV RMS 10 kohm

Tuner

FM

Tuning Range	87.5 - 108 MHz
Tuning grid	100 KHz
Sensitivity	
- Mono, 26dB S/N Ratio	<22 dBu
- Stereo, 46dB S/N Ratio	<45 dBu
Search Selectivity	<36 dBu
Total Harmonic	<3%
Distortion	
Signal to Noise Ratio	>45 dB

General information

AC power (power adaptor)	Input: 100-240 V~, 50-60 Hz, 0.55 A Output: 12V $\overline{=}$ 2A
Operation Power Consumption	10 W
Standby Power Consumption	<2 W
Dimensions	
- Main Unit (W x H x D)	173 x185 x 144 mm
Weight	
- Main Unit	0.66 kg

9 Troubleshooting



Warning

- Never remove the casing of this apparatus.

To keep the warranty valid, never try to repair the system yourself.

If you encounter problems when using this apparatus, check the following points before requesting service. If the problem remains unsolved, go to the Philips web site (www.philips.com/welcome). When you contact Philips, ensure that the apparatus is nearby and the model number and serial number are available.

No power

- Ensure that the AC power plug of the unit is connected properly.
- Ensure that there is power at the AC outlet.

No sound

- Adjust the volume.

No response from the unit

- Disconnect and reconnect the AC power plug, then turn on the unit again.

Poor radio reception

- Increase the distance between the unit and your TV or VCR.
- Fully extend the FM antenna.

Timer does not work

- Set the clock correctly.
- Switch on the timer.

Clock/timer setting erased

- Power has been interrupted or the power plug has been disconnected.
- Reset the clock/timer.

