



IT818B

5.1 Channel Home Theater Bar Speaker with Dock for iPod®

Contents

- Warnings and Precautions 2
- Important Safety Instructions..... 3
- In the Box & Features..... 4
- Powering the Unit 5
- Replacing the Fuse..... 5
- Docking an iPod & Playing an iPod 6
- Setting the Clock, Setting the Timer, Playing a CD or DVD, & Equalizer Settings 7
- Tuning the AM/FM Radio 8
- Saving AM or FM Radio Stations to the Unit’s Memory & Using the Auxiliary Input..... 8
- AV 1 & AV 2 Inputs 8
- HDMI Output (Best Image Quality)..... 9
- Component Video Output (2nd Best Image Quality) 9
- S-Video Output (3rd Best Image Quality) 9
- Composite Video Output (4th Best Image Quality)..... 9
- DVD Setup Menu..... 10
- Mounting the Unit to a Wall 11
- Location of Controls & Control Definitions..... 12-19
- Parts Information & Service Information..... 20

Warnings and Precautions

TO PREVENT FIRE OR SHOCK HAZARDS, DO NOT EXPOSE THIS UNIT TO RAIN OR MOISTURE.



This symbol, located on back or bottom of the unit, is intended to alert the user to the presence of uninsulated “dangerous voltage” within the product’s enclosure that may be of sufficient magnitude to constitute a risk of electric shock to persons.



This symbol, located on back or bottom of the unit, is intended to alert the user to the presence of important operating and maintenance (servicing) instructions in the literature accompanying the appliance.



This product utilizes a Class 1 laser to read Compact Discs. This laser Compact Disc Player is equipped with safety switches to avoid exposure when the CD door is open and the safety interlocks are defeated. Invisible laser radiation is present when the CD Player’s lid is open and the system’s interlock has failed or been defeated. It is very important that you avoid direct exposure to the laser beam at all times. Please do not attempt to defeat or bypass the safety switches.

CAUTION: TO PREVENT ELECTRIC SHOCK, MATCH WIDE BLADE OF PLUG TO WIDE SLOT, FULLY INSERT.

To reduce the risk of electric shock, do not remove cover (or back). There are no user-serviceable parts inside. Please refer any servicing to qualified service personnel.

WARNING: Changes or modifications to this unit not expressly approved by the party responsible for compliance could void the user’s authority to operate the equipment.

WARNING: Danger of explosion if the remote control’s batteries are incorrectly installed. Replace only with the same or equivalent battery.

WARNING: Use of this unit near fluorescent lighting may cause interference regarding use of the remote. If the unit is displaying erratic behavior move away from any fluorescent lighting, as it may be the cause.

Do not mix old and new batteries.

Do not mix alkaline, standard (carbon-zinc), or rechargeable (ni-cad, ni-mh, etc) batteries.

NOTE: This equipment has been tested and found to comply with the limits for a Class B digital device, pursuant to Part 15 of the FCC Rules. These limits are designed to provide reasonable protection against harmful interference in a residential installation. This equipment generates, uses, and can radiate radio frequency energy and, if not installed and used in accordance with the instructions, may cause harmful interference to radio communications. However, there is no guarantee that interference will not occur in a particular installation. If this equipment does cause harmful interference to radio or television reception, which can be determined by turning the equipment off and on, the user is encouraged to try to correct the interference by one or more of the following measures:

- Reorient or relocate the receiving antenna.
- Increase the separation between the equipment and receiver.
- Connect the equipment into an outlet on a circuit different from that to which the receiver is connected.
- Consult the dealer or an experienced radio/TV technician for help.

Important Safety Instructions

- Read Instructions** - All the safety and operating instruction should be read before the product is operated.
- Retain Instructions** - The safety and operating instruction should be retained for future reference.
- Heed Warnings** - All warning on the product and in the operating instructions should be adhered to.
- Follow instructions** - All operating and use instructions should be followed.
- Cleaning** - Unplug this product from the wall outlet before cleaning. Do not use liquid cleaners or aerosol cleaners. Clean only with a dry cloth.
- Attachments** - Do not use attachments not recommended by the product manufacturer as they may cause hazards.
- Water and Moisture** - Do not use this product near water - for example, near a bath tub, wash bowl, kitchen sink, or laundry tub; in a wet basement, or near a swimming pool, and the like. The apparatus shall not be exposed to dripping or splashing and that no objects filled with liquids, such as vases, shall be placed on apparatus.
- Accessories** - Do not place this product on an unstable cart, stand tripod, bracket, or table. The product may fall, causing serious injury to a child or adult, and serious damage to the product. Use only with a cart, stand, tripod, bracket, or table recommended by the manufacturer, or sold with the product. Any mounting of the product should follow the manufacturer's instructions, and should use a mounting accessory recommended by the manufacturer.
- A product and cart combination should be moved with care. Quick stops, excessive force, and uneven surfaces may cause the appliance and cart combination to overturn.

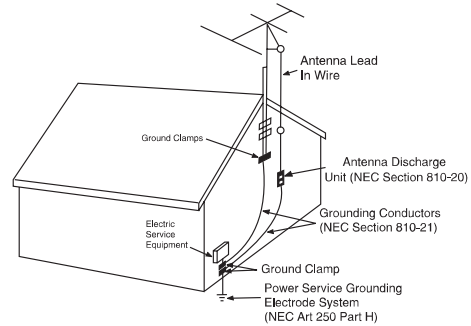
See figure:



- Ventilation** - Slots and openings in the cabinet are provided for ventilation and to ensure reliable operation of the product and to protect it from overheating, and these openings must not be blocked or covered. The openings should never be blocked by placing the product on a bed, sofa, rug, or other similar surface. This product should not be placed in a built-in installation such as a bookcase or rack unless proper ventilation is provided or the manufacturer's instruction have been adhered to.
- Power Sources** - This product should be operated only from the type of power source indicated on the marking label. If you are not sure of the type of power supply to your home, consult your product dealer or local power company. For products intended to operate from battery power, or other sources, refer to the operating instruction.
- Grounding or Polarization** - This product may be equipped with a polarized alternating-current line plug (a plug having one blade wider than the other). This plug will fit into the power outlet only one way. This is a safety feature. If you are unable to insert the plug fully into the outlet, try reversing the plug. If the plug should still fail to fit, contact your electrician to replace your obsolete outlet. Do not defeat the safety purpose of the polarizes plug.
Alternate Warnings - This product is equipped with a three-wire grounding-type plug, a plug having a third (grounding) pin. This plug will only fit into a grounding-type power outlet. This is a safety feature. If you are unable to insert the plug into the outlet, contact your electrician to replace your obsolete outlet. Do not defeat the safety purpose of the grounding-type plug.
- Power-Cord Protection** - Power supply cords should be routed so that they are not likely to be walked on or pinched by items placed upon or against them, paying particular attention to cords at plugs, convenience receptacles, and point where they exit from the product.
- Protective Attachment Plug** - The product is equipped with an attachment plug having overload protection. This is a safety feature. See Instruction Manual for replacement or resetting of protective device. If replacement of the plug is required, be sure the service technician has used a replacement plug specified by the manufacturer that has the same overload protection as the original plug.
- Outdoor Antenna Grounding** - If an outside antenna is connected to the receiver, be sure the antenna system is grounded so as to provide some protection against voltage surges and built-up static charges. Article 810 of the National Electrical Code, ANSI/NFPA 70, provides information with regard to proper grounding of the mast and supporting structure, grounding of the mast and supporting structure, grounding of the lead-in wire to an

antenna-discharge unit, size of grounding conductors, location of antenna-discharge unit, connection to grounding electrodes, and requirements for the grounding electrode.

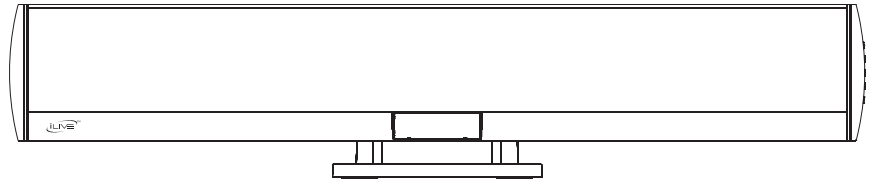
See figure:



- Lightning** - For added protection for this product during a lightning storm, or when it is left unattended and unused for long periods of time, unplug it from the wall outlet and disconnect the antenna or cable system. This will prevent damage to the product due to lightning and power-line surges.
- Power Lines** - An outside antenna system should not be located in the vicinity of overhead power lines or other electric light or power circuits, or where it can fall into such power lines or circuits. When installing an outside antenna system, extreme care should be taken to keep from touching such power lines or circuits as contact with them might be fatal.
- Overloading** - Do not overload wall outlets, extension cords, or integral convenience receptacles as this can result in a risk of fire or electric shock.
- Object and Liquid Entry** - Never push objects of any kind into this product through openings as they may touch dangerous voltage points or short-out parts that could result in a fire or electric shock. Never spill liquid of any kind on the product.
- Servicing** - Do not attempt to service this product yourself as opening or removing covers may expose you to dangerous voltage or other hazards. Refer all servicing to qualified service personnel.
- Damage Requiring Service** - Unplug this product from the wall outlet and refer servicing to qualified service personnel under the following conditions:
 - When the power-supply cord or plug is damaged,
 - If liquid has been spilled, or objects have fallen into the product,
 - If the product has been exposed to rain or water,
 - If the product does not operate normally by following the operating instructions. Adjust only those controls that are covered by the operating instructions as an improper adjustment of other controls may result in damage and will often require extensive work by a qualified technician to restore the product to its normal operation.
 - If the product has been dropped or damaged in any way, and
 - When the product exhibits a distinct change in performance - this indicates a need for service.
- Replacement Parts** - When replacement parts are required, be sure the service technician has used replacement parts specified by the manufacturer or have the same characteristics as the original part. Unauthorized substitutions may result in fire, electric shock, or other hazards.
- Safety Check** - Upon completion of any service or repairs to this product, ask the service technician to perform safety checks to determine that the product is in proper operating condition.
- Wall or Ceiling Mounting** - The product should be mounted to a wall or ceiling only as recommended by the manufacturer.
- Heat** - The product should be situated away from heat sources such as radiators, heat registers, stoves, or other products (including amplifiers) that produce heat. Battery shall not be exposed to excessive heat such as sunshine, fire, or the like.
- Main plug is used as disconnect device and it should remain readily operable during intended use. In order to disconnect the apparatus from the mains completely, the mains plug should be disconnected from the mains socket outlet completely.
- Excessive sound pressure from earphones and headphones can cause hearing loss.

In the Box

- IT818B
- Brackets for iPod
- Line In Cable
- S-Video Cable
- Remote Control
- AM Loop Antenna
- FM Wire Antenna
- Wall-Mount Hardware
- Documentation

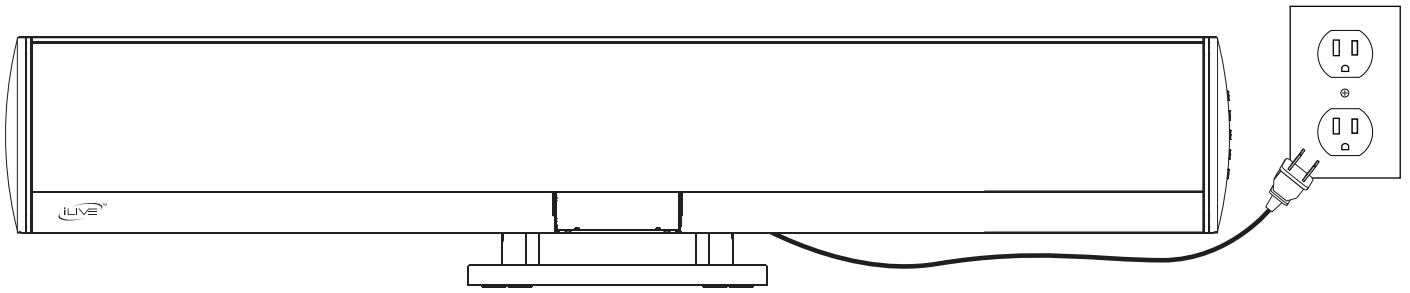


Features

- Docking Station for iPod
- Certified iPod Connector installed for iPod docking.
- Recharge Circuit for iPod/mini/nano/photo/video
- Preset EQ
- Electronic Volume Control
- Lighted Buttons (Keys)
- Motorized iPod Docking Drawer
- Automatic iPod Detect Function
- Wall-Mountable (Mounting Hardware included)
- iPod Authentication IC installed
- SRS TruSurround HD4™
- Dual Subwoofers
- Slot-Load, Anti-Shock DVD Player
- Plays DVD/DVD+/-R/RW, CD/CD-R/RW & JPEG Picture Discs
- HDMI Output: High Definition Upconvert to 720p, 480p, and 1080i for DVD
- Digital AM/FM Stereo Radio
- Station Memory Presets
- Direct Access Tuning (Remote)
- Clock
- Timer Function
- Sleep Function
- LCD Display
- Composite Video Output
- AV1 & AV2 Audio/Video Input
- Subwoofer Output
- S-Video Output
- HDMI Output for DVD
- Full-Feature Remote Control operates iPod & Player
- Uses 2-”AAA” Batteries
- AC: Built-In AC Cord
- AM Loop & FM Wire Antennas
- Wall-Mount Hardware and Instructions
- Remote Control, Remote Batteries, included

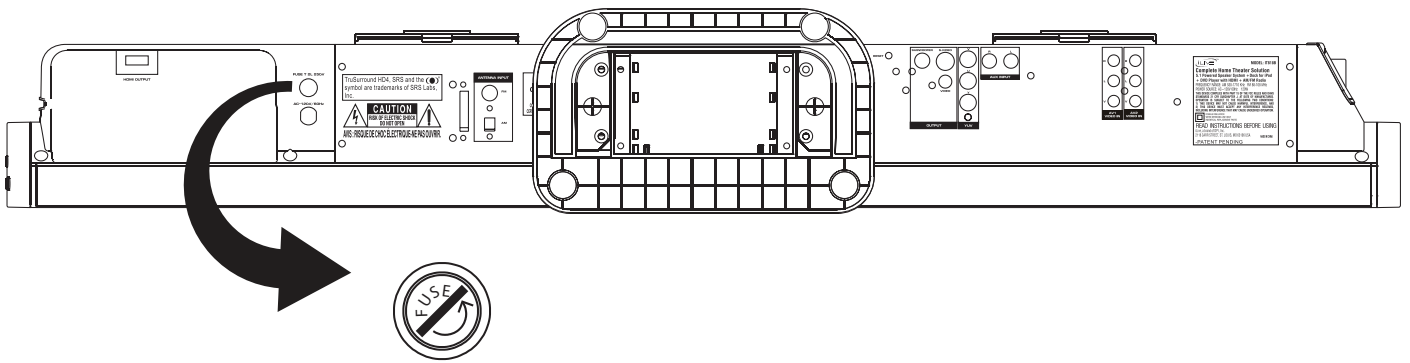
Powering the Unit

Power the unit by connecting it to a standard AC outlet (120V ~ 60Hz) via the attached AC cord.



Replacing the Fuse

If the unit does not turn on, try replacing the fuse. A standard **T2L 250V** Fuse can be purchased from most local hardware/electronic stores.



1. Unplug the unit from the AC outlet to power it down completely.
2. Insert a flat-head screwdriver, coin, or like object into the fuse slot. Gently push in and turn counter-clockwise to remove the fuse casing and fuse from its slot.
3. Remove the old fuse from the plastic fuse casing, and discard it.
4. Place the new fuse (**T2L 250V**) into the plastic fuse casing.
5. Gently push the fuse casing back into the fuse slot while turning it clockwise.
6. Once the fuse is locked back into the unit securely, the unit can be plugged back in and powered on.

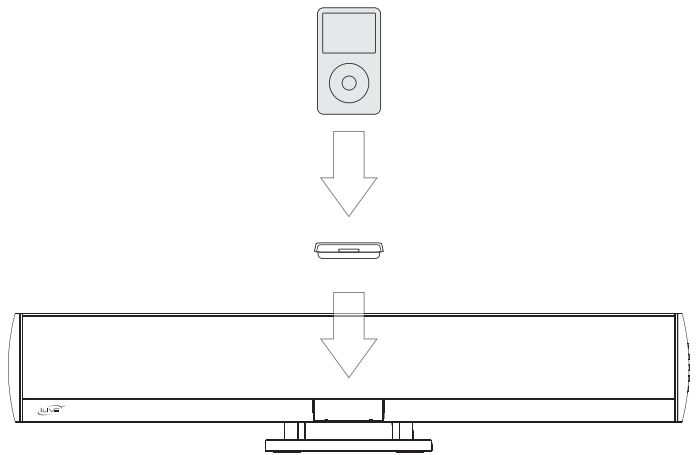
For all other issues concerning the unit, press the Reset Button to restore the unit to its original default settings. Use a paperclip or like object to press the Reset Button.

Docking an iPod

1. Locate the numbered *Bracket* that fits the iPod that will be docked.

Each included Bracket has a number on it, indicating which iPod model that bracket is compatible with. See the separate bracket chart page to identify which bracket is needed.

2. Press the **Power Button** to turn the unit on.
3. Press the **Function Button** to switch the unit to iPod mode.
4. Press the **Eject Button** to open the iPod door on the unit.



5. Snap the *Bracket* into place over the iPod connector in the **Dock for iPod**.

All Brackets will only fit one way onto the Dock.

When inserting an iPod nano (first or second generation), slide the Dock connection on the unit so that it matches the opening on the iPod nano (first or second generation).

6. Connect the iPod to the iPod connector inside the **Dock for iPod**.

Once an iPod is connected to the **Dock for iPod**, the unit will charge the docked iPod.

Playing an iPod

1. Dock an iPod onto the unit by following the “Docking an iPod” instructions.
2. Press the **Power Button** to turn the unit on.
3. Press the **Function Button** to switch the unit to iPod mode.
4. Press the **Play/Pause Button** to begin playing a docked iPod.

The included remote control will allow you to access and play all of the media stored on the docked iPod from a distance.

A docked iPod can only output video through the S-Video Output and Composite Video Output.

To watch video from a docked iPod on a connected display, the iPod’s TV Out setting must be set to “On” or “Ask”.

Playing a CD or DVD

1. Turn the unit on by pressing the **Power Button**.
2. Press the **Function Button** to switch the unit to DVD/CD mode.
3. Insert a CD or DVD into the unit’s slot-load DVD/CD drive.
4. Press the **Play/Pause Button** to begin playing a loaded DVD or CD.

To view video from a loaded DVD, the unit must be connected to a display.

Setting the Clock

1. Turn the unit off by pressing the **Power Button**.
2. Press the **Clk Button** on the remote control.
The hour will begin to blink on the LCD display.
3. Press the **DVD/iPod Menu/Clock Adjust Button** on the remote to adjust the hour.
4. Press the **Clk Button** to set the adjusted hour.
The minute will begin to blink on the LCD display.
5. Press the **DVD/iPod Menu/Clock Adjust Button** on the remote to adjust the minute.
6. Press the **Clk Button** to set the adjusted time.

Setting the Timer

1. Turn the unit off by pressing the **Power Button**.
2. Press the **Timer Button** on the remote control.
The “On” hour will begin to blink on the LCD display.
3. Press the **Function Button** to set the source that the unit will power on to.
4. Adjust the selected source’s volume by pressing the **Volume Buttons**.
5. Press the **Timer Button**.
6. Press the **DVD/iPod Menu/Clock Adjust Button** on the remote to adjust the “On” hour.
The “On” minute will begin to blink on the LCD display.
7. Press the **DVD/iPod Menu/Clock Adjust Button** on the remote to adjust the “On” minute.
8. Press the **Timer Button** to set the adjusted “On” time.
9. Repeat steps 3-5 to set the timer’s “Off” time.
10. Press the **Timer Button** consecutively to activate or deactivate the timer. (Indicated by the word “Timer” on the display.)

Equalizer Settings

To switch between the different Equalizer Settings, press the EQ Button on the unit or the remote. Use the Treble, Bass, Front, Center, Rear, and Level Adjustment Buttons to customize the sound quality of the unit. (Please note, Treble and Bass can only be adjusted in HD4 CSTM mode.)

For best results, set the equalizer settings on a docked iPod to “Flat” before taking advantage of the audio technologies listed below.



HD4 Movies (TruSurround HD4) - SRS TruSurround HD4™ Movies (TS HD4) is designed to enhance audio playback and bring 5.1 channel, cinema quality surround sound to movies and television.

HD4 Music (TruSurround HD4) - SRS TruSurround HD4™ Music (TS HD4) is designed specifically for enriching audio playback from an iPod, radio, auxiliary source, or CDs and DVDs.

HD4 CSTM - A custom setting designed to allow the user to adjust the treble and bass.

SRS NEWS - 3.1 channel sound takes advantage of the left, center, and right channel speakers, and the built-in subwoofer to create a great cinema quality sound.

SRS 2.1 - 2.1 channel sound uses the left and right channel speakers, and the built-in subwoofer to create a great sound for general audio.

Tuning the AM/FM Radio

The included AM and FM antennas need to be connected to the unit to ensure good radio reception.

1. Turn the unit on by pressing the **Power Button**.
2. Press the **Function Button** to switch the unit to FM or AM radio mode.
3. Press the **iPod Next/Tuning Up** and **iPod Prev/Tuning Dn Buttons** to tune the AM and FM radio.
4. Press and hold the **iPod Next/Tuning Up** and **iPod Prev/Tuning Dn Buttons** to scan to the next available station with a strong reception.
5. Specific radio station can be keyed in using the **Number Keypad**.

Example: Type in 1051 to tune into 105.1 FM radio.

Saving AM or FM Radio Stations to the Unit's Memory

1. Tune the AM or FM radio to the desired station. See "Tuning the AM/FM Radio".
 2. When the desired AM or FM radio station is reached, press the **Mem Button** on the remote control.
 3. Press the **Preset Buttons** on the remote control to select a preset memory slot.
 4. Press the **Mem Button** to save the current AM or FM radio station to the selected preset memory slot.
-

Using the Auxiliary Input

1. Plug one end of an RCA cable or a 3.5 mm mini-phono to RCA cable (included) into the **Aux Input** on the unit.
2. Plug the other end of the cable into the audio output/headphone output on an Mp3 Player or other Audio Source.
3. Press the **Power Button** to turn the unit on.
4. Press the **Function Button** to switch the unit to aux mode.
5. Audio played from the Mp3 Player or Other Audio Source will now be heard on the unit.

If connecting to the headphone output of an audio source, the source's volume controls may need to be adjusted for optimal sound. Additionally, increasing the volume to much can create distortion and damage the speakers.

AV 1 & AV 2 Inputs

Use of the AV Inputs requires an RCA cable (not included).

Note: When connecting two products using an RCA Cable, match the colored ports with the same colored connection. (Red to Red, White to White, and Yellow to Yellow)

1. Connect an RCA cable to the **AV 1** or **AV 2 Inputs** on the unit.
 2. Connect the other end of the same RCA cable to the video and audio outputs on a Set-Top Box or Game System.
 3. Press the **Function Button** to switch the unit to AV 1 or AV 2 mode.
 4. Audio and video played from the connected Set-Top Box or Game System will now play through the unit.
-

HDMI Output (Best Image Quality)

-DVD Only-

Use of the **HDMI Output** requires an HDMI cable (not included).

1. Connect an HDMI cable to the **HDMI Output** on the unit.
2. Connect the other end of the same HDMI cable to the HDMI input on a display.
3. Adjust the display's input settings to view video from the connected HDMI input.
4. If the connected display has built-in speakers, go to the audio section of the displays settings, and turn the built-in speakers off.
5. Video played from a loaded DVD will now show on the connected display, and the audio from the DVD will play through the unit.

Please note, if the Video Button is pressed, adjusting the Video Output to a currently disconnected option, the television screen will go blank. Press the Video Button consecutively to adjust the output of the unit until it matches the input capabilities of the connected television.

Component Video Output (2nd Best Image Quality)

-DVD Only-

Use of the **Component Video Output** requires a component video cable (not included).

1. Connect a component video cable to the **Component Video Output** on the unit.
2. Connect the other end of the same component video cable to the component input on a display.
3. Adjust the display's input settings to view video from the connected component input.
4. Video played from a loaded DVD will now show on the connected display, and the audio from the DVD will play through the unit.

Please note, if the Video Button is pressed, adjusting the Video Output to a currently disconnected option, the television screen will go blank. Press the Video Button consecutively to adjust the output of the unit until it matches the input capabilities of the connected television.

S-Video Output (3rd Best Image Quality)

-DVD or iPod-

Use of the **S-Video Output** requires an S-Video cable.

1. Connect an S-Video cable to the **S-Video Output** on the unit.
2. Connect the other end of the same S-Video cable to the S-Video input on a display.
3. Adjust the display's input settings to view video from the connected S-Video input.
4. Video played from a docked iPod/DVD will now show on the connected display, and the audio from docked iPod will play through the unit.

Please note, if the Video Button is pressed, adjusting the Video Output to a currently disconnected option, the television screen will go blank. Press the Video Button consecutively to adjust the output of the unit until it matches the input capabilities of the connected television.

Composite Video Output (4th Best Image Quality)

-DVD, iPod, or AV Inputs-

Use of the **Composite Video Output** requires an RCA video cable (not included).

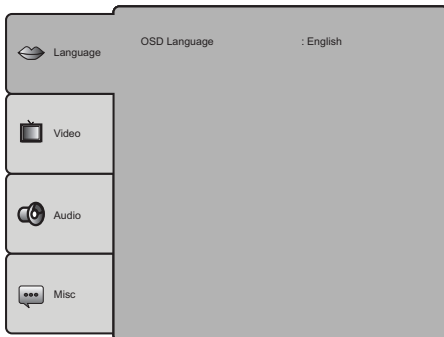
1. Connect an RCA video cable to the **Composite Video Output** on the unit.
2. Connect the other end of the same RCA video cable to the composite video input on a display.
3. Adjust the display's input settings to view video from the connected composite video input.
4. Video played from a docked iPod/DVD/AV Inputs will now show on the connected display, and the audio from docked iPod will play through the unit.

Please note, if the Video Button is pressed, adjusting the Video Output to a currently disconnected option, the television screen will go blank. Press the Video Button consecutively to adjust the output of the unit until it matches the input capabilities of the connected television.

DVD Setup Menu

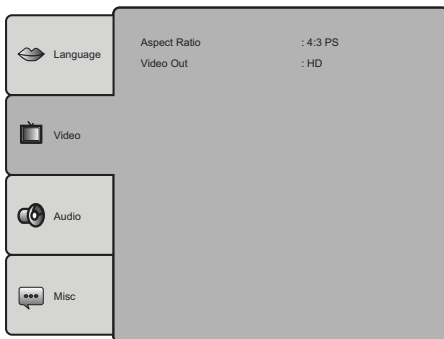
Press the **Setup Button** on the remote control to access the unit's DVD Setup Menu.

Please note, the DVD Setup Menu can only be accessed while in DVD mode.



OSD Language

Use the OSD Language Setting to adjust the language of the on-screen display and setup menu.

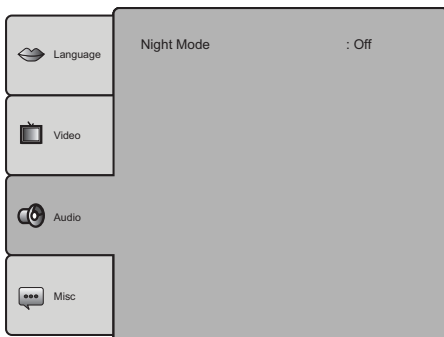


Aspect Ratio

Use the Aspect Ratio Setting to switch between 4:3 Letterbox, 4:3 Panscan, and 16:9 Widescreen aspect ratio.

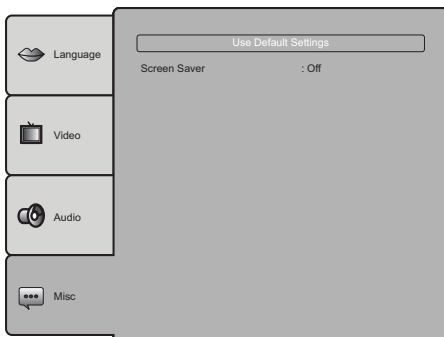
Video Output

Use the Video Output Setting to switch between Component and HD (HDMI) video out.



Night Mode

Turn the Night Mode on to limit the dynamic range of audio output from the unit.



Use Default Settings

Select the Use Default Settings option to restore the unit back to its original factory settings.

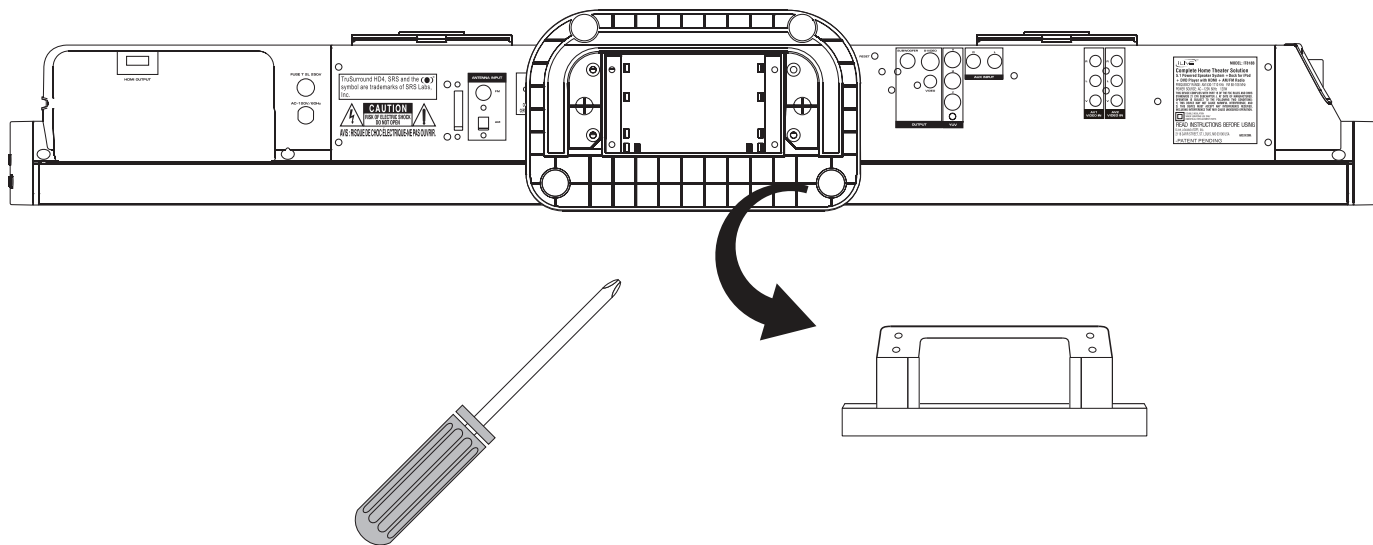
Screen Saver

Turn the Screen Saver on to protect the connected display from “burn in”.

Mounting the Unit to a Wall

1. Use a Phillips-Head Screwdriver to remove the **Table Stand** by unscrewing the 4 black-colored screws on the underside of the stand.

The Table Stand must be removed to mount the unit onto a wall.



3. Locate 2 *studs* in the wall.

Most houses have the studs spaced on 16 inch centers.

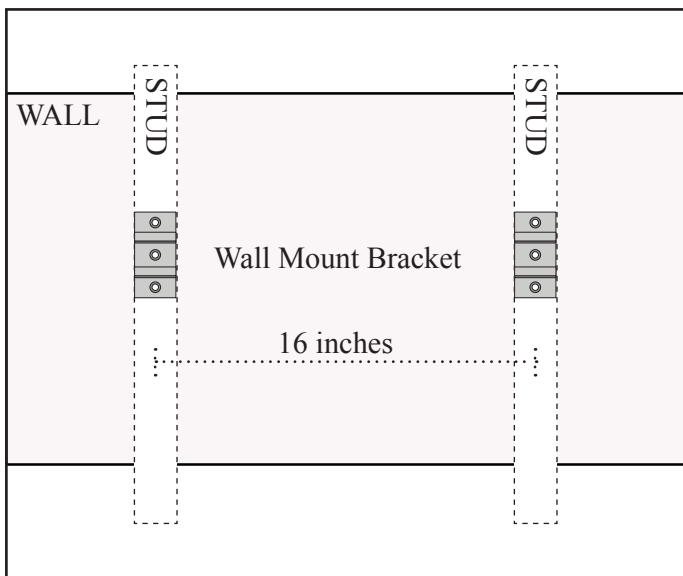
2. Use the included spacers to create space between the wall and the unit. Use of the spacers is optional, and not necessary for insuring a sturdy installation of the unit.

The included spacers can be used in combination to adjust unit's distance from the wall in order to match a mounted Flat-Panel TV. The spacers are 1/4", 1/2", 3/4", 1" thick. When using the 1/2", 3/4", or 1" spacers, longer screws must be purchased separately.

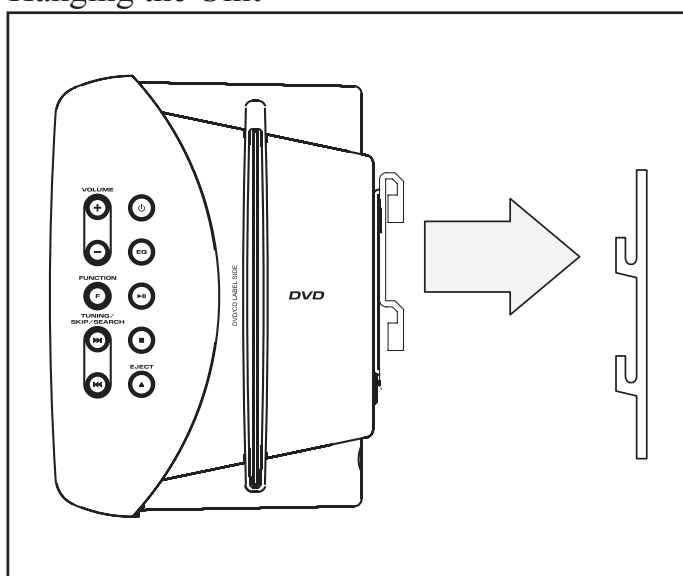
4. Screw the wall mount brackets into two parallel studs using three screws in each bracket.
5. Level the wall mount brackets with each other.
6. Hang the unit onto the secured wall mount brackets.

To ensure a reliable and sturdy installation, please consult a professional installer before mounting the unit to a wall.

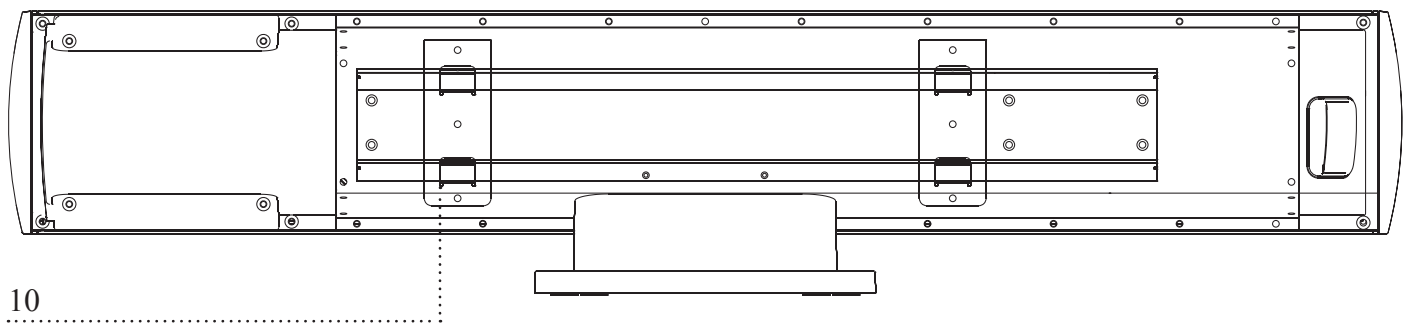
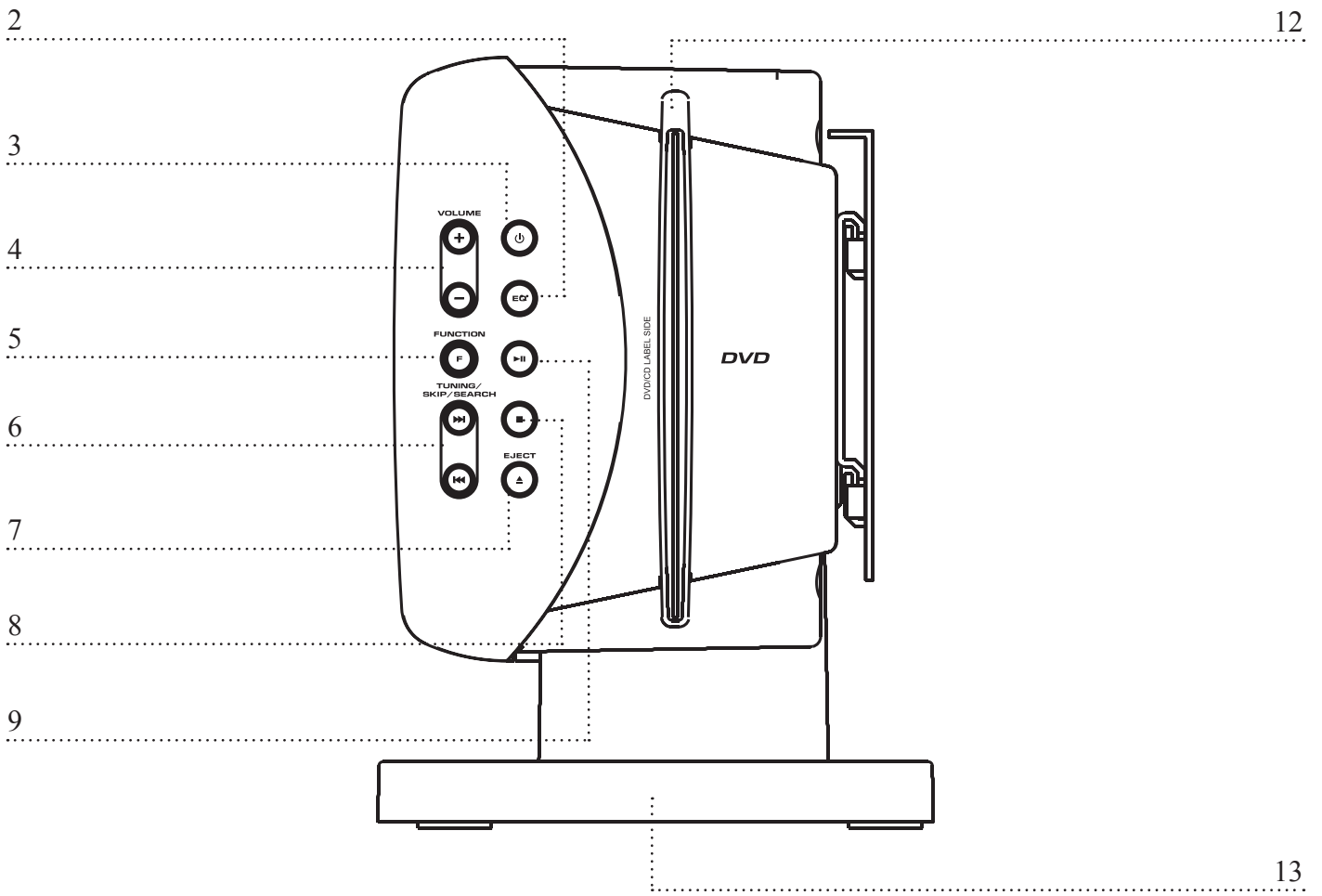
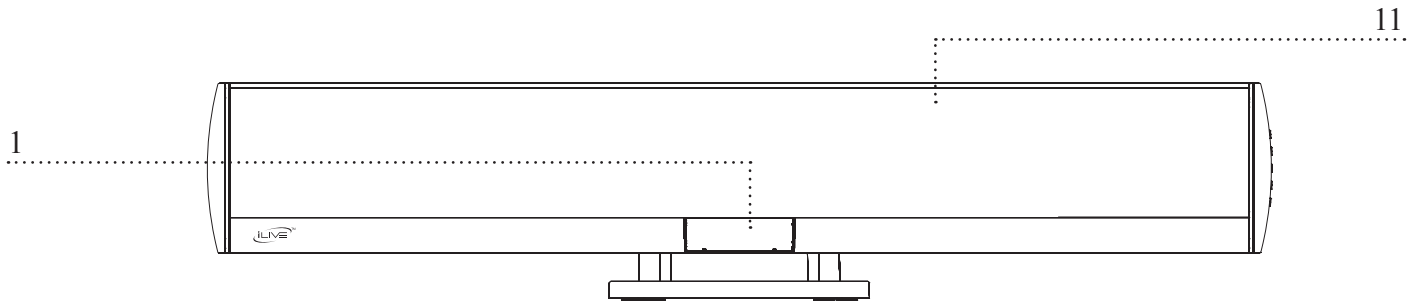
Bracket Placement on Wall



Hanging the Unit



Location of Controls



Control Definitions

1 LCD Display / Motorized Dock for iPod

Use the LCD Display to view the time, AM or FM radio station, and the unit's current function.

Use the Motorized Dock for iPod to dock an iPod to the unit. (*Must be in iPod Mode*)

Press the Eject Button to open or close the Motorized Dock for iPod.

2 EQ Button

Press the EQ Button to adjust the unit's equalizer settings to HD4 Movie, HD4 Music, HD4 CSTM, SRS NEWS, and SRS 2.1.

3 Power Button

Press the Power Button to turn the unit on and off.

4 Volume Buttons

Press the Volume Buttons to adjust the volume of audio output from unit.

5 Function Button

Press the Function Button to switch between DVD, iPod, AM radio, FM radio, Aux, AV 1, and AV 2 mode.

6 Tuning/Skip/Search Buttons

Press the Tuning/Skip/Search Buttons to tune the AM/FM radio.

Press the Tuning/Skip/Search Buttons to skip through tracks or chapters on a docked iPod or a loaded CD or DVD.

Press and hold the Tuning/Skip/Search Buttons to search through an individual track or chapter on a docked iPod or a loaded CD or DVD.

7 Eject Button

Press the Eject Button to eject a CD or DVD in DVD mode.

Press the Eject Button to open or close the motorized dock for iPod in iPod mode.

8 Stop Button

Press the Stop Button to stop a CD or DVD during play.

9 Play/Pause Button

Press the Play/Pause Button to play or pause a docked iPod or loaded CD or DVD.

10 Wall Mount Brackets

Use the Wall Mount Brackets to secure the unit to a wall.

11 Remote Sensor

The Remote Sensor receives signals sent from the remote control.

If the Remote Control isn't working, it may be because the remote sensor is partially covered or not within the remotes line-of-site.

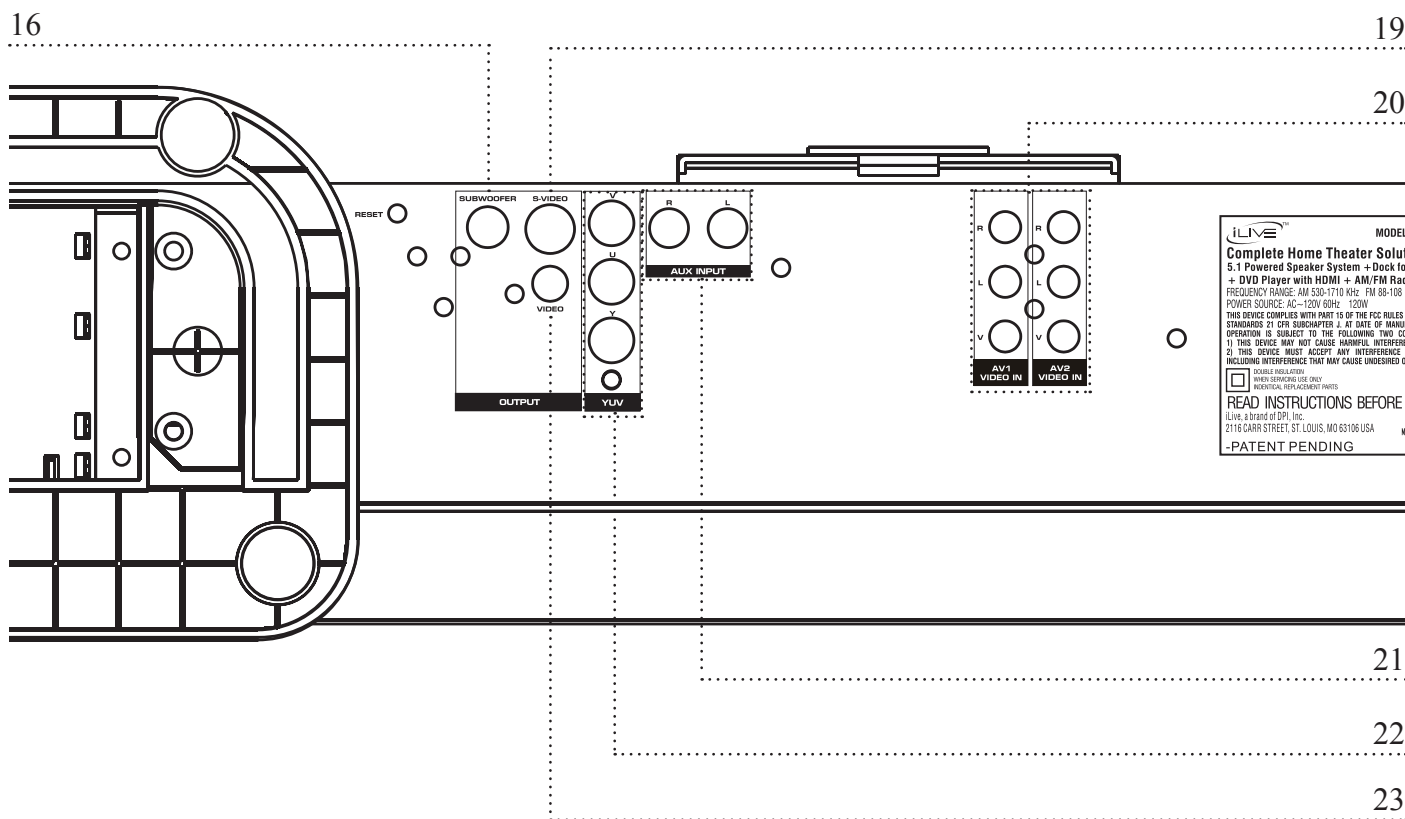
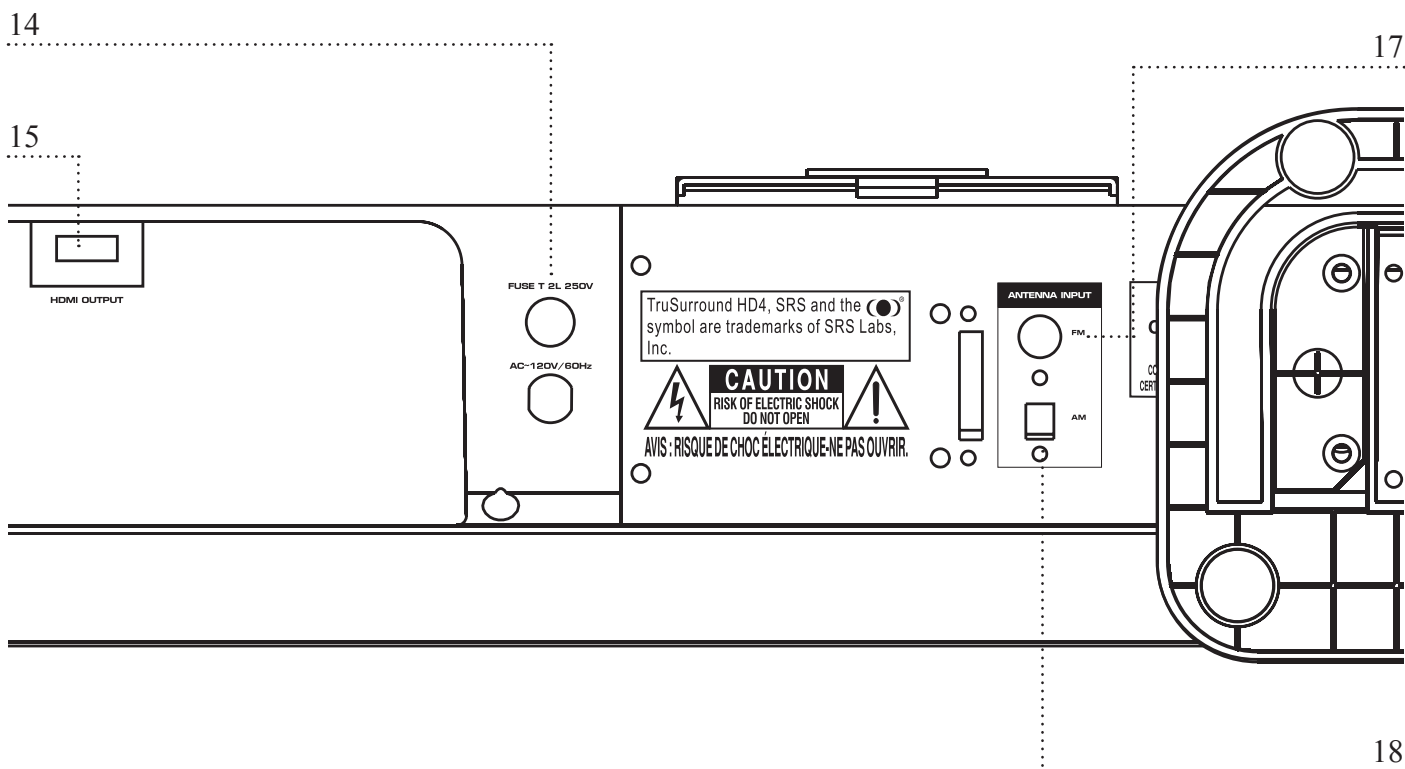
12 CD/DVD Slot Load Drive

The CD/DVD Slot Load Drive will play DVD/DVD+/-R/RW, CD/CD-R/RW & JPEG Picture Discs.

13 Table Stand

The Table Stand can detach from the unit for wall mounting, or remain attached to serve as a stand for the unit.

Location of Controls



Location of Controls

14 Fuse (T 2L 250V)

15 HDMI Output (DVD only)

Use the HDMI Output to connect the unit to a high definition display.

16 Subwoofer Output

Use the Subwoofer Output to connect an external subwoofer to the unit.

17 FM Antenna Input

Use the FM Antenna Input to connect an FM antenna to the unit.

18 AM Antenna Input

Use the AM Antenna Input to connect an AM antenna to the unit.

19 S-Video Output (DVD or iPod)

Use the S-Video Output to connect the unit to a display using an S-Video cable.

20 AV 1 & AV 2 Inputs

Use the AV 1 and AV 2 Inputs to connect a DVD player or Set-Top Box to the unit.

21 Auxiliary Input

Use the Auxiliary Input to connect an MP3 player or other audio source to the unit.

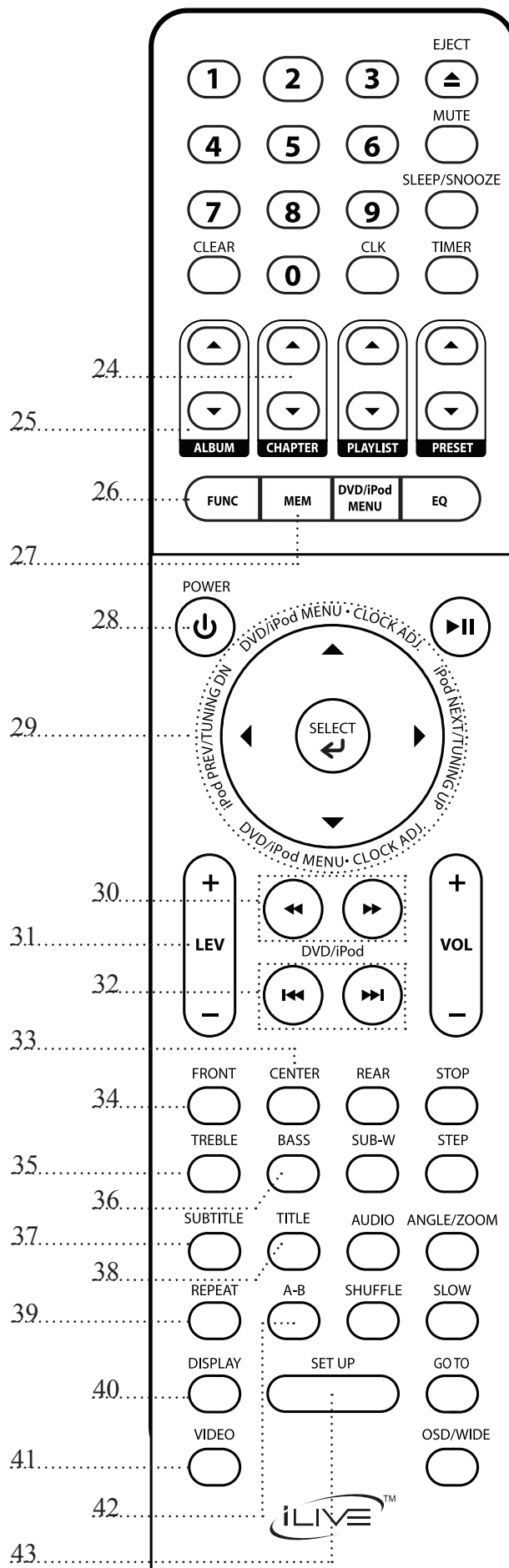
22 Component Video Output (DVD only)

Use the Component Video Output to connect the unit to a display using component video cables (not included).

23 Composite Video Output (DVD, iPod, or AV Inputs)

Use the Composite Video Output to connect the unit to a display using RCA video cables (not included).

Location of Controls



Control Definitions

24 Chapter Buttons

Press the Chapter Buttons to cycle through chapters on a docked iPod.

25 Album Buttons

Press the Album Buttons to cycle through albums on a docked iPod.

26 Function Button

Press the Function Button to switch between DVD, iPod, AM radio, FM radio, Aux, AV 1, and AV 2 mode.

27 Memory Button

Press the Memory Button to save the current radio station to the unit's memory.

28 Power Button

Press the Power Button to turn the unit off and on.

29 Directional & Select Buttons

Press the Directional Buttons to skip tracks on a docked iPod, move through a docked iPod's menus, tune the radio, and adjust the clock.

Press the Select Button to make selections on a docked iPod.

30 Search Buttons

Press the Search Buttons to search through an individual track on a docked iPod, CD, or chapter on a loaded DVD.

31 Level Adjustment Button

Use the Level Adjustment Button in conjunction with the Center, Front, Treble, Bass, Rear, and Subwoofer Buttons.

32 Skip Buttons

Press the Skip Buttons to skip through tracks on a docked iPod, CD, or chapters on a loaded DVD.

33 Center Button

Press the Center Button to view the levels of the Center Channel Speaker. Press the Levels Button to adjust the levels of the Center Channel Speaker.

34 Front Button

Press the Front Button consecutively to display the levels of the Left Front and Right Front Channel Speakers. Press the Levels Adjustment Button to adjust the levels of the Left Front or Right Front Channel Speakers.

35 Treble Button

Press the Treble Button to adjust the treble of the unit. *(The unit must be in HD4 CSTM EQ mode.)*

36 Bass Button

Press the Bass Button to adjust the bass of the unit. *(The unit must be in HD4 CSTM EQ mode.)*

37 Subtitle Button

Press the Subtitle Button to adjust the subtitle language for a loaded DVD.

38 Title Button

Press the Title Button to return to the title screen of a loaded DVD.

39 Repeat Button

Press the Repeat Button to repeat a song, album or playlist from a docked iPod, a loaded CD or DVD.

40 Display Button

Press the Display Button to view the time when in radio, DVD, or Aux mode.

41 Video Button

Press the Video Button to display the current video setting. Press the Video Button again to adjust the HDMI or video output to Auto, 480p, 720p, and 1080i.

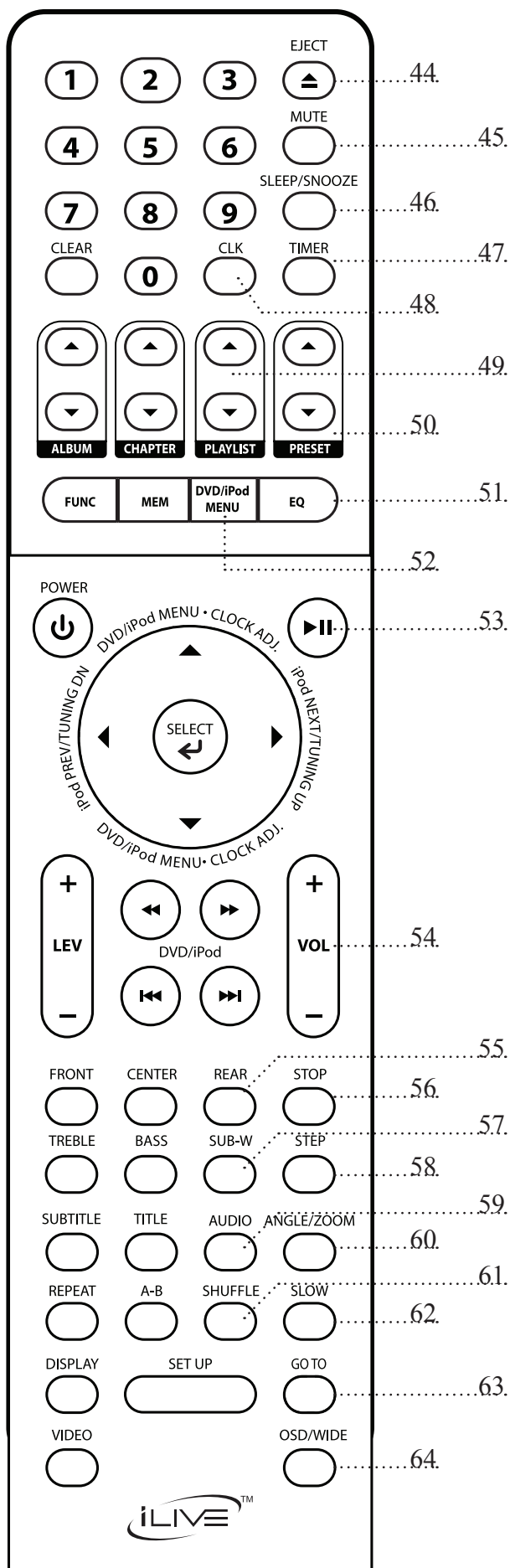
42 A-B Button

Press the A-B button once to mark a starting point during a DVD. Press the button a second time to mark an ending point. After doing so the DVD will loop that section of video. Press the button a third time to cancel this function.

43 Set Up Button

Press the Set Up Button to enter the unit's setup menu. *(Must be in DVD Mode.)*

Location of Controls



Control Definitions

44 Eject Button

Press the Eject Button to eject a CD or DVD in DVD mode, or the motorized iPod dock in iPod mode.

45 Mute Button

Press the Mute Button to mute the volume of the unit.

46 Sleep/Snooze Button

Press the Sleep/Snooze Button consecutively to set the sleep timer between 10-120 minutes.

Press the Sleep/Snooze Button to delay the timer for 9 minutes after it sounds.

47 Timer Button

Press the Timer Button to set the “on” and “off” timer for the unit.

48 Clk Button

Press the Clk Button to set the time.

49 Playlist Button

Press the Playlist Button to cycle through playlists on a docked iPod.

50 Preset Buttons

Press the Preset Buttons to cycle through saved radio stations.

51 EQ Button

Press the EQ Button to adjust the unit’s equalizer settings to HD4 Movie, HD4 Music, HD4 CSTM, SRS NEWS, and SRS 2.1.

52 DVD/iPod Menu

Press the DVD/iPod Menu Button to view the menu when in DVD mode.

Press the DVD/iPod Menu Button to move backwards through a docked iPod’s menus.

53 Play/Pause Button

Press the Play/Pause Button to play and pause a docked iPod or loaded CD/DVD.

54 Volume Button

Press the Volume Button to adjust the volume of audio output from the unit.

55 Rear Button

Press the Rear Button consecutively to switch between the Rear Right and Rear Left speaker levels. While selected, press the Levels Button to adjust the levels of the Rear Right or Rear Left speakers.

56 Stop Button

Press the Stop Button to stop a CD or DVD during play.

57 Sub-W Button

Press the Subwoofer Button to adjust the levels of the internal subwoofer.

58 Step Button

Press the Step Button consecutively to skip through a DVD a single frame at a time.

59 Audio Button

Press the Audio Button to adjust the audio language of a loaded DVD.

60 Angle/Zoom Button

Press the Angle/Zoom Button to view alternate angles on a playing DVD..

- *The Angle Button will only work with compatible DVDs.*

Press the Angle/Zoom Button to zoom in and out during a DVD movie.

61 Shuffle Button

Press the Shuffle Button to play tracks from a CD or an iPod in a random order.

62 Slow Button

Press the Slow Button to view a DVD movie in slow motion.

63 Go To Button

Press the GoTo Button and enter a specific time using the Number Keypad to automatically skip to that time on the loaded DVD.

64 OSD/Wide Button

Press the OSD/Wide Button to view the on-screen display.

Press and hold the OSD/Wide Button to switch between 4:3LB, 4:3PS and 16:9 aspect ratio.



MODEL/MODÉLE: IT818B

Complete Home Theater Solution

5.1 Powered Speaker System + Dock for iPod

+ DVD Player with HDMI + AM/FM Radio

Solution de home cinéma

5.1 Système de haut-parleurs + connecteur Dock pour iPod

+ lecteur DVD avec HDMI + Radio AM/FM

FREQUENCY RANGE/GAMME DE FREQUENCES : AM 530-1710 KHz FM 88-108 MHz

POWER SOURCE/Source d'alimentation: AC/CA~120V 60Hz 120W

THIS DEVICE COMPLIES WITH PART 15 OF THE FCC RULES AND DHHS STANDARDS 21 CFR SUBCHAPTER J. OPERATION IS SUBJECT TO THE FOLLOWING TWO CONDITIONS:

- 1) THIS DEVICE MAY NOT CAUSE HARMFUL INTERFERENCE, AND
- 2) THIS DEVICE MUST ACCEPT ANY INTERFERENCE RECEIVED, INCLUDING INTERFERENCE THAT MAY CAUSE UNDESIRABLE OPERATION.

CET APPAREIL EST CONFORME A LA PARTIE 15 DU REGLEMENT DE LA FCC ET AU STANDARD 21 CFR, SOUS CHAPITRE J. DE LA DHHS L'UTILISATION DE CET APPAREIL EST SOUMISES AUX DEUX CONDITIONS SUIVANTES:

- 1) CET APPAREIL NE DOIT PAS EMETTRE D'INTERFERENCES DANGEREUSES, ET
- 2) CET APPAREIL DOIT ACCEPTER TOUTES LES INTERFERENCES, EN INCLUANT LES INTERFERENCES NON DESIRABLES.

READ INSTRUCTIONS BEFORE USING

LISEZ CES INSTRUCTIONS AVANT D'UTILISER CET APPAREIL

iLive, a brand of DPI, Inc. 2116 CARR STREET, ST. LOUIS, MO 63106 USA/

iLive, une marque de DPI, Inc. 2116 RUE CARR, ST. LOUIS, MO 63106 USA

Made in China/Fabriqué en Chine



-PATENT PENDING/BREVET EN COURS

This Class B digital apparatus complies with Canadian ICES-003. Cet appareil numérique de la classe B est conforme à la norme NMB-003 du Canada.



DOUBLE INSULATION WHEN SERVICING USE ONLY IDENTICAL REPLACEMENT PARTS

VOUS VOUS EXPOSEZ A UNE DOUBLE INSULATION LORSQUE VOUS TENTEZ DE REPARER L'APPAREIL, UTILISEZ SEULEMENT DES PIECES D'ECHANGE IDENTIQUES

TruSurround HD4, SRS and the  symbol are trademarks of SRS Labs, Inc.
TruSurround HD4, SRS et le symbole- sont des marques commerciales de SRS Labs, Inc.



MODEL/MODELE: IT818B

Complete Home Theater Solution
5.1 Powered Speaker System + Dock for iPod
+ DVD Player with HDMI + AM/FM Radio

Solution de home cinéma
5.1 Système de haut-parleurs + connecteur Dock pour iPod
+ lecteur DVD avec HDMI + Radio AM/FM

Power Source : 1.5V x 2 (UM-4 "AAA" SIZE)

Source d'alimentation : 2 piles 1.5V (UM-4 de taille "AAA")

iLive, une marque de DPI, Inc. 2116 Rue Carr, St. Louis, MO 63106 USA

iLive, a brand of DPI, Inc. 2116 Carr Street, St. Louis, MO 63106 USA

Made in China/Fabriqué en Chine



Parts Information

Address: 2116 Carr Street, St. Louis MO, 63106

Phone: 1-314-621-2881

Fax: 1-314-588-1805

Email: partsinfo@dpi-global.com

Service Information

Address: 2116 Carr Street, St. Louis MO, 63106

Phone: 1-314-621-2881

Toll Free: 1-888-999-4215

Fax: 1-314-588-1805

Email: customerservice@iLive.net

Website: www.iLive.net

Version: v.052708

To download this Instruction Manual in English, Spanish, or French visit the Support section at www.ilive.net.

Para descargar este manual de instrucción en inglés, español, o francés visite la sección de la ayuda en www.ilive.net.

Pour télécharger ce manuel d'instruction en anglais, espagnol, ou le Français visitez la section de soutien à www.ilive.net.