



Portable Docking System *IBR3807* INSTRUCTION MANUAL



Warnings and Precautions

TO PREVENT FIRE OR SHOCK HAZARDS, DO NOT EXPOSE THIS UNIT TO RAIN OR MOISTURE.



This symbol, located on back or bottom of the unit, is intended to alert the user to the presence of uninsulated “dangerous voltage” within the product’s enclosure that may be of sufficient magnitude to constitute a risk of electric shock to persons.



This symbol, located on back or bottom of the unit, is intended to alert the user to the presence of important operating and maintenance (servicing) instructions in the literature accompanying the appliance.

Any use of the controls or an adjustment to the procedures other than those specified herein may result in hazardous radiation.

CAUTION: TO PREVENT ELECTRIC SHOCK, MATCH WIDE BLADE OF PLUG TO WIDE SLOT, FULLY INSERT.

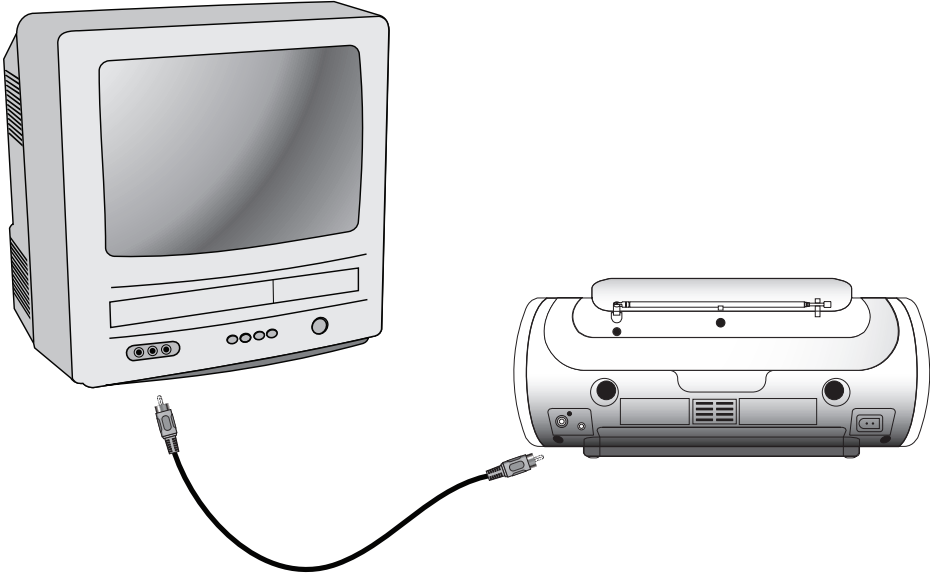
To reduce the risk of electric shock, do not remove cover (or back). There are no user-serviceable parts inside. Please refer any servicing to qualified service personnel.

WARNING: Changes or modifications to this unit not expressly approved by the party responsible for compliance could void the user’s authority to operate the equipment.

NOTE: This equipment has been tested and found to comply with the limits for a Class B digital device, pursuant to Part 15 of the FCC Rules. These limits are designed to provide reasonable protection against harmful interference in a residential installation. This equipment generates, uses, and can radiate radio frequency energy and, if not installed and used in accordance with the instructions, may cause harmful interference to radio communications. However, there is no guarantee that interference will not occur in a particular installation. If this equipment does cause harmful interference to radio or television reception, which can be determined by turning the equipment off and on, the user is encouraged to try to correct the interference by one or more of the following measures:

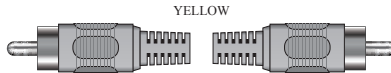
- Reorient or relocate the receiving antenna.
- Increase the separation between the equipment and receiver.
- Connect the equipment into an outlet on a circuit different from that to which the receiver is connected.
- Consult the dealer or an experienced radio/TV technician for help.

Quick Start Connection Guide



To Television

Connect to the video input connection on the TV.

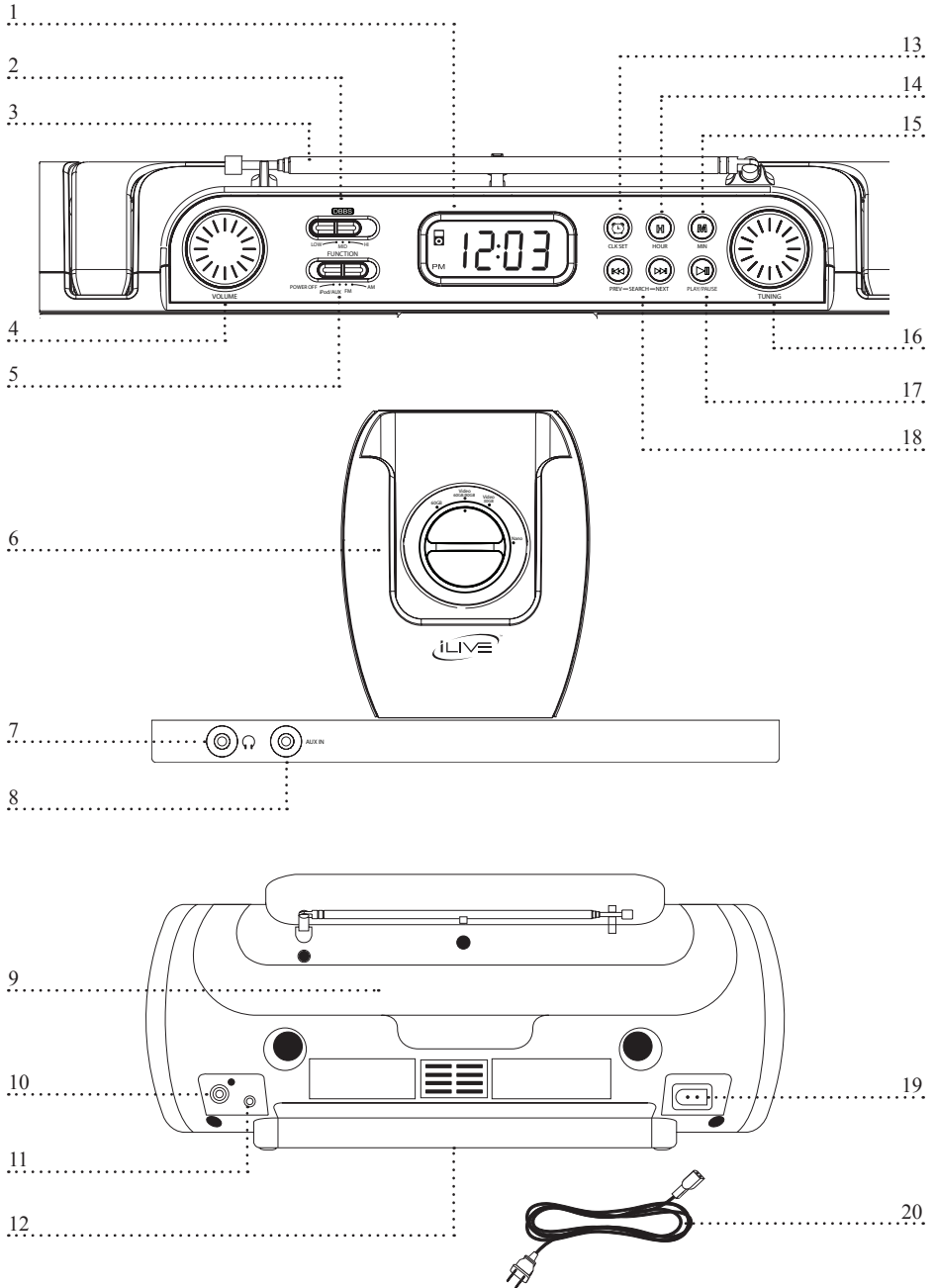


From Unit

Connect to the video output connection on the Unit.

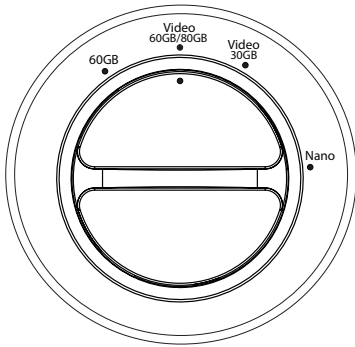
-
- To view photos or videos from an iPod, on a TV, select “Photos” > “Slideshow Settings” or “Video” > “Video Settings”, and change the TV Out setting to “On”.
 - Be sure to select the appropriate Video Input on the Television set.
 - For more information, see Operations.
-

Features

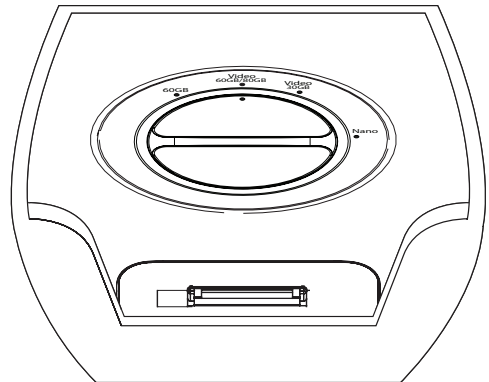


Features Defined

- 1 LCD Display** View the Time, PM Indicator, iPod Indicator, and Radio Frequency through the Liquid Crystal Display.
 - 2 DBBS** Toggle the DBBS switch between Low, Mid, and High Dynamic Bass Boost.
 - 3 FM Antenna** The telescopic FM antenna receives FM transmissions (adjust for best reception). An AM Antenna is built into the player.
 - 4 VOLUME** Turn the VOLUME dial to increase or decrease the volume.
 - 5 FUNCTION** Toggle the FUNCTION switch to select OFF, iPod/Aux, FM, or AM modes.
 - 6 Adjustable Docking Station for iPod** Turn the dial using a quarter or like object, and match the dots on the dial and spacer to set the dock to a specific iPod model.
-



• The fully adjustable Docking Station, allows any iPod model to fit comfortably in the dock. Compatible models include all iPods fourth generation and newer.



• The 30-pin connection for an iPod slides to the left for iPod nanos, or to the right for all other iPod models.

Features Defined

- 7 Headphone Jack** Use the Headphone Jack to plug in a set of headphones (not included).
- 8 Auxiliary Input** Use the Auxiliary Input to connect an external audio source to the unit. This requires a 1/8" miniphono plug (not included).
- 9 Carry Handle** Use the Carry Handle for transporting the player.
- 10 Video Out** Connect the Video Output to the video input on the TV using a standard RCA video cable (not included).
• *To display iPod video or photographs, see the Operations section.*
- 11 Line Out** Use the Line-Out jack to connect the player to an external audio system. This requires a 1/8" miniphono plug (not included).
- 12 Battery Compartment** (8 - C-Size Batteries, not included) The Battery Compartment will power the unit and provide full functionality when filled with fully charged batteries of the appropriate size.
- 13 CLK SET** Press the CLK SET button to activate the clock adjust mode. *See Operations.*
- 14 HOUR** Press the HOUR button to change the hour when setting the clock.
- 15 MIN** Press the MIN button to change the minute when setting the clock.
- 16 TUNING** Turn the TUNING dial to adjust the AM or FM radio frequency.
- 17 PLAY/PAUSE** Press the PLAY/PAUSE button to play or pause media from an iPod.
- 18 PREV/SEARCH/NEXT** Press the PREV or NEXT buttons to navigate to previous or upcoming tracks on an iPod. Press and hold the PREV or NEXT buttons to search through an individual track on an iPod.
- 19 AC Port** Plug the included AC Cord into the AC Port to power the player.
- 20 AC Cord** (120V / 60 Hz) The detachable AC (Alternating Current) Cord provides power to the player.
-

Operations

Setting the Clock

- a. With the player in OFF mode, press and hold the CLK SET button.
- b. While holding the CLK SET button, press the HOUR button to adjust the hour, and the MIN button to adjust the minute.
- c. When the correct time is set, release the CLK SET button.

Viewing Video or Photos from your iPod on an External Device

- a. Connect a composite video cable from the player's video out jack to a composite video input jack on a TV.
- b. Insert your iPod Video into the player and navigate to either the Photos or Videos on the iPod.
- c. On the iPod, select either Slideshow Settings in Photos or Video Settings in Videos.
- d. On the iPod, set the TV Out setting to On.
- e. Toggle the FUNCTION button until the player's mode is set to iPod.
- f. Make sure your external viewing device is set to the proper input. You will now be able to control your iPod from the player's control panel, and view your iPod on a video display.

Connecting Other Digital Audio Devices

- a. Use a line-in cord to connect an iPod shuffle or other audio device to the line-in port.
- b. Toggle the FUNCTION button until the player's mode is set to AUX.
- c. An iPod shuffle and other audio devices will now play through the speakers of the player.

Connecting to an External Audio System

- a. Connect the Line-Out of the unit to an Audio-In on an external audio system or TV.



Service Information

Address 2116 Carr Street, St. Louis MO, 63106

Phone 1-314-621-2881

Fax 1-314-588-1805

Email customerservice@ilive.net

Website www.ilive.net

To download this Instruction Manual in English, Spanish, or French visit the Support section at www.ilive.net.

Para descargar este manual de instrucción en inglés, español, o francés visite la sección de la ayuda en www.ilive.net.

Pour télécharger ce manuel d'instruction en anglais, espagnol, ou le Français visitez la section de soutien à www.ilive.net.