



IB7 *IBCD3817DTBLK* INSTRUCTION MANUAL



Warnings and Precautions

TO PREVENT FIRE OR SHOCK HAZARDS, DO NOT EXPOSE THIS UNIT TO RAIN OR MOISTURE.



This symbol, located on back or bottom of the unit, is intended to alert the user to the presence of uninsulated “dangerous voltage” within the product’s enclosure that may be of sufficient magnitude to constitute a risk of electric shock to persons.



This symbol, located on back or bottom of the unit, is intended to alert the user to the presence of important operating and maintenance (servicing) instructions in the literature accompanying the appliance.



This product utilizes a Class 1 laser to read Compact Discs. This laser Compact Disc Player is equipped with safety switches to avoid exposure when the CD door is open and the safety interlocks are defeated. Invisible laser radiation is present when the CD Player’s lid is open and the system’s interlock has failed or been defeated. It is very important that you avoid direct exposure to the laser beam at all times. Please do not attempt to defeat or bypass the safety switches.

Any use of the controls or an adjustment to the procedures other than those specified herein may result in hazardous radiation.

CAUTION: TO PREVENT ELECTRIC SHOCK, MATCH WIDE BLADE OF PLUG TO WIDE SLOT, FULLY INSERT.

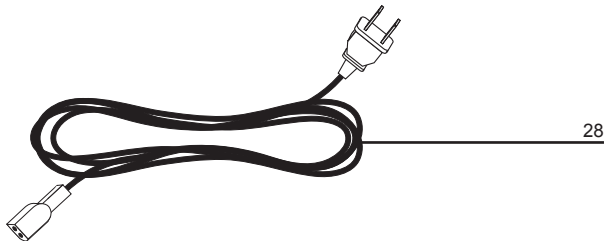
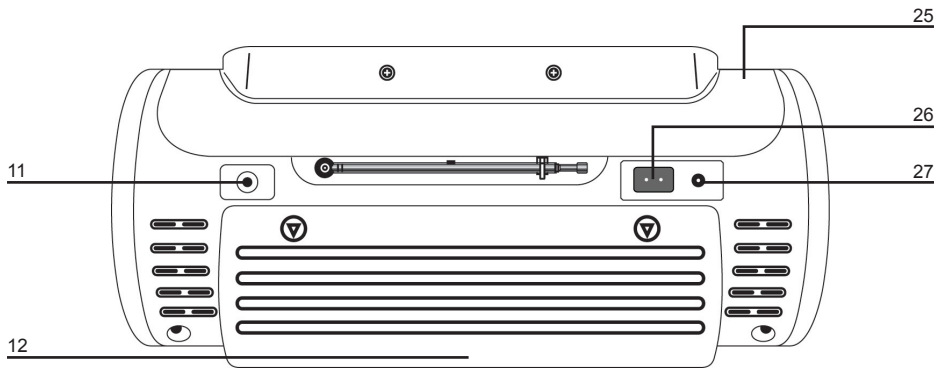
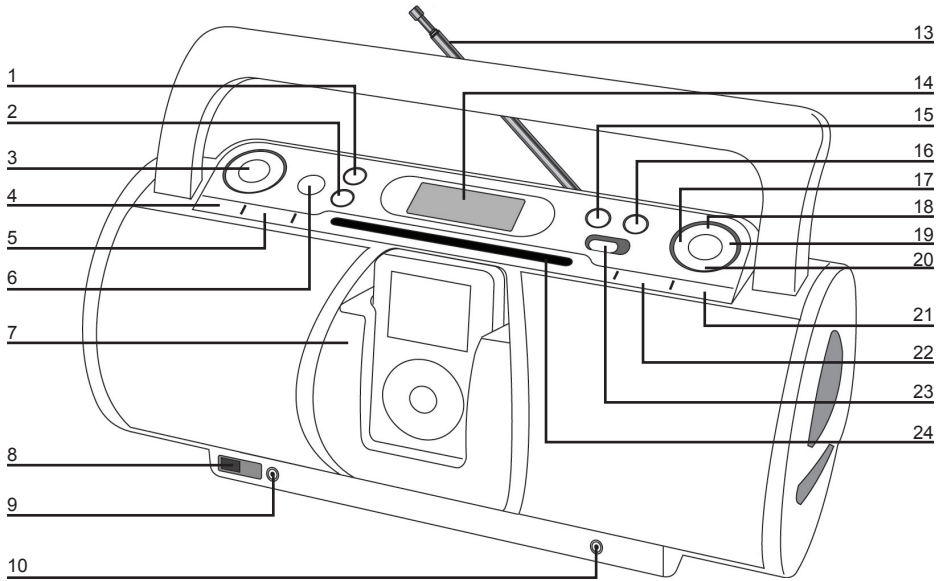
To reduce the risk of electric shock, do not remove cover (or back). There are no user-serviceable parts inside. Please refer any servicing to qualified service personnel.

WARNING: Changes or modifications to this unit not expressly approved by the party responsible for compliance could void the user’s authority to operate the equipment.

NOTE: This equipment has been tested and found to comply with the limits for a Class B digital device, pursuant to Part 15 of the FCC Rules. These limits are designed to provide reasonable protection against harmful interference in a residential installation. This equipment generates, uses, and can radiate radio frequency energy and, if not installed and used in accordance with the instructions, may cause harmful interference to radio communications. However, there is no guarantee that interference will not occur in a particular installation. If this equipment does cause harmful interference to radio or television reception, which can be determined by turning the equipment off and on, the user is encouraged to try to correct the interference by one or more of the following measures:

- Reorient or relocate the receiving antenna.
- Increase the separation between the equipment and receiver.
- Connect the equipment into an outlet on a circuit different from that to which the receiver is connected.
- Consult the dealer or an experienced radio/TV technician for help.

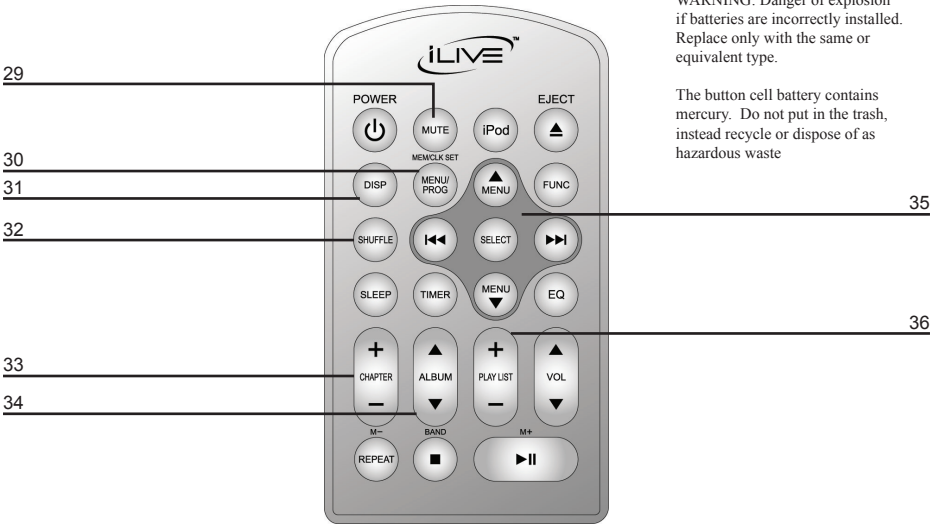
Features



Features Defined

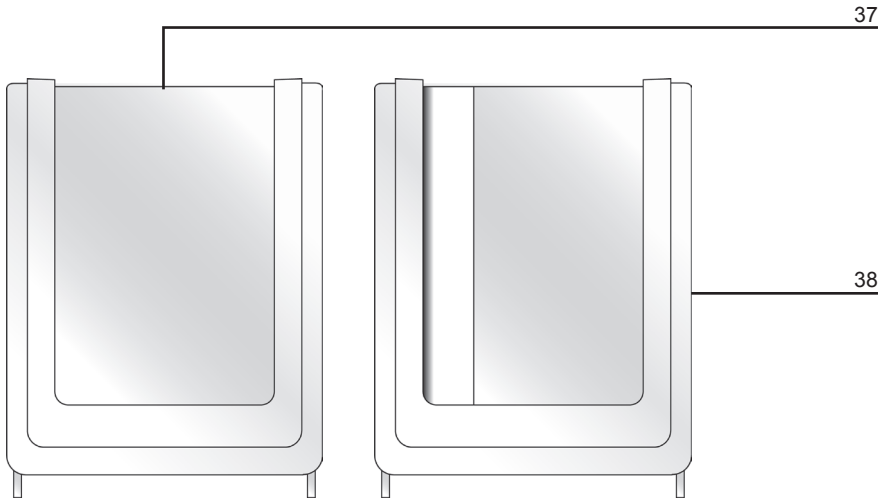
- 1 **IPOD** Press the IPOD button to power on an iPod and enable control through the player.
 - 2 **FUNCTION** Press the FUNCTION button to switch between radio, aux, and CD control.
 - 3 **VOLUME** Press the up arrow to increase the volume, and the down arrow to decrease volume.
 - 4 **SLEEP** Press the SLEEP button to set the sleep timer on the player.
 - 5 **TIMER** Press the TIMER button to set the player to come on or off at a certain time.
 - 6 **POWER** Press the POWER button to turn the player on.
 - 7 **iPod Docking Station** Connect your iPod, iPod mini, or iPod nano.
 - 8 **iPOD SHUFFLE** Use the iPOD SHUFFLE port to connect a first generation iPod shuffle to the player.
 - 9 **AUX** Use the AUX (auxiliary) jack to connect an iPod shuffle, or other audio devices to the player.
 - 10 **Headphone Jack** Use the Headphone Jack to plug in a set of headphones (not included).
 - 11 **Video Out** Plug the yellow connector of an AV Cord in the Video Output to send a video signal from an iPod with video to a source (TV) with a Video Input.
 - 12 **Battery Compartment** (8 - D Batteries) The Battery Compartment allows the player to run off of DC Power (Batteries Not Included).
 - 13 **FM Antenna** The FM extendable antenna provides flexibility and range when adjusting the FM reception. An AM Antenna is built into the player.
 - 14 **LCD Display** View the Time, AM Indicator, iPod Indicator, Radio Frequency, and CD indicator (“--”) through this Liquid Crystal Display.
 - 15 **EQ** Press the EQ button to switch equalizer modes between Classical, Jazz, Rock, and Pop.
 - 16 **MEM/CLK ADJ** Press the MEM/CLK ADJ button to activate the clock adjust. Use this button in conjunction with the REV/TUNE DN and FWD/TUNE UP buttons to set the clock, or press the MEM/CLK ADJ button to save radio stations to the memory.
 - 17 **REV/TUNE DN** Press the REV/TUNE DN button to adjust the hour and minute when setting the clock, or press to skip to the previous track on a CD or iPod. Press and hold the REV/TUNE DN. button to search backwards through a track on a CD or iPod.
 - 18 **STOP/BAND** Press the STOP/BAND button to stop a CD track during play, or to change the radio band to AM or FM.
 - 19 **FWD/TUNE UP** Press the FWD/TUNE UP button to adjust the hour and minute when setting the clock, or to skip to the next track on a CD or iPod. Press and hold the FWD/TUNE UP button to search forwards through a track on a CD or iPod.
 - 20 **PLAY/PAUSE/M-UP** Press the PLAY/PAUSE/M-UP button to play or pause an iPod. Press the PLAY/PAUSE/M-UP to cycle up through preset radio stations.
 - 21 **REPEAT/M-DN** Press the REPEAT button to activate REP (repeat one song), or REP ALL (repeat all songs), or press the REPEAT/M-DN button to cycle down through preset radio stations.
 - 22 **EJECT** Press the EJECT button to eject a CD from the Slot-loading drive.
 - 23 **DBBS** Toggle the DBBS switch between Low, Mid, and High Dynamic Bass Boost System.
 - 24 **Slot-Loading CD Drive** The Slot-Loading CD Drive automatically pulls the CD in and loads it.
 - 25 **Carry Handle** Use the Carry Handle for transporting the player.
 - 26 **AC Port** Plug the AC Cord into the AC Port to power the player.
 - 27 **DC In** Use the DC In to connect the player to a car lighter, or other DC power sources.
 - 28 **AC Cord** (120V / 60 Hz) The detachable AC (Alternating Current) Cord provides power to the player.
-

Peripherals



WARNING: Danger of explosion if batteries are incorrectly installed. Replace only with the same or equivalent type.

The button cell battery contains mercury. Do not put in the trash, instead recycle or dispose of as hazardous waste



Buttons that are not defined in the Peripherals section are defined in the Features section.

Peripheral Defined

- 29 MUTE** Press the MUTE button to decrease the volume entirely.
-
- 30 MENU/PROG** Press the MENU/PROG button to enter the menu on an iPod. Press the PROG button when in CD mode to program tracks of a CD to play in a specified order.
-
- 31 DISPLAY** In radio mode press the display button to switch between viewing the time or the radio frequency.
-
- 32 SHUFFLE** Press the SHUFFLE button to randomly play songs on an iPod.
-
- 33 CHAPTER** Press up on the CHAPTER button up or down to cycle through the different chapters.
-
- 34 ALBUM** Press up on the ALBUM button up or down to cycle through the different albums.
-
- 35 Navigation Controls/SELECT** Use the Navigation Controls to move through an iPod menu system, skip to tracks on a CD, or change the radio station. Press the SELECT button to select a song, photo, or video on your iPod.
-
- 36 PLAYLIST** Press up on the PLAYLIST button up or down to cycle through the different playlists.
-
- 37 iPod Insert (Mini)** Use this insert to connect your iPod mini to the player.
-
- 38 iPod Insert (Nano)** Use this insert to connect your iPod nano to the player.
-

Operations

Setting the Clock

- a. With the player off, press and hold the CLK ADJ button.
- b. Press the REV and FWD buttons to cycle through 12 or 24 Hour mode. Press the CLK ADJ button to set the Hour mode.
- c. Press the REV and FWD buttons to cycle through the hour. Press the CLK ADJ button to set the hour. Press the REV and FWD buttons to cycle through the minute. Press the CLK ADJ button to set the minute.

Setting the Timer

- a. Press the TIMER button to toggle between Timer On, Timer Off. Timer On will set the player to turn on, and Timer Off will set the player to turn off at a specified time.
- b. After selecting Timer On or Timer Off, press again and hold to set until the time begins to blink.
- c. Press the REV and FWD buttons to cycle through the hour. Press the TIMER button to set the hour. Press the REV and FWD buttons to cycle through the minute. Press the TIMER button to set the minute.

Viewing Video or Photos from your iPod on an External Device

- a. Using a video cable, connect an external device such as a TV to the Video Out port on the player.
- b. Check the iPod's settings to make sure they are set to play through a TV. Insert your iPod with video or photo capabilities into the iPod Docking Station with the appropriate insert.
- c. You will now be able to control your iPod from the player's control panel. Using the PLAY/PAUSE, FWD, and REV buttons you can move from one video or photograph to the next, play, and pause.

Connecting Other Digital Audio Devices

- a. Use a line-in cord to connect an iPod shuffle or other audio device to the line-in port.
- b. Press the FUNCTION button to set the player to AUX mode.
- c. An iPod shuffle and other audio devices will now play through the speakers of the player.



Service Information

Address 2116 Carr Street, St. Louis MO, 63106

Phone 1-314-621-2881

Fax 1-314-588-1805

Email customerservice@ilive.net

Website www.ilive.net

To download this Instruction Manual in English, Spanish, or French visit the Support section at www.ilive.net.

Para descargar este manual de instrucción en inglés, español, o francés visite la sección de la ayuda en www.ilive.net.

Pour télécharger ce manuel d'instruction en anglais, espagnol, ou le Français visitez la section de soutien à www.ilive.net.