

DISHWASHER

Repair Parts List

MODEL NUMBER

MDB5601AWQ

When requesting service or ordering parts, always provide the following information:

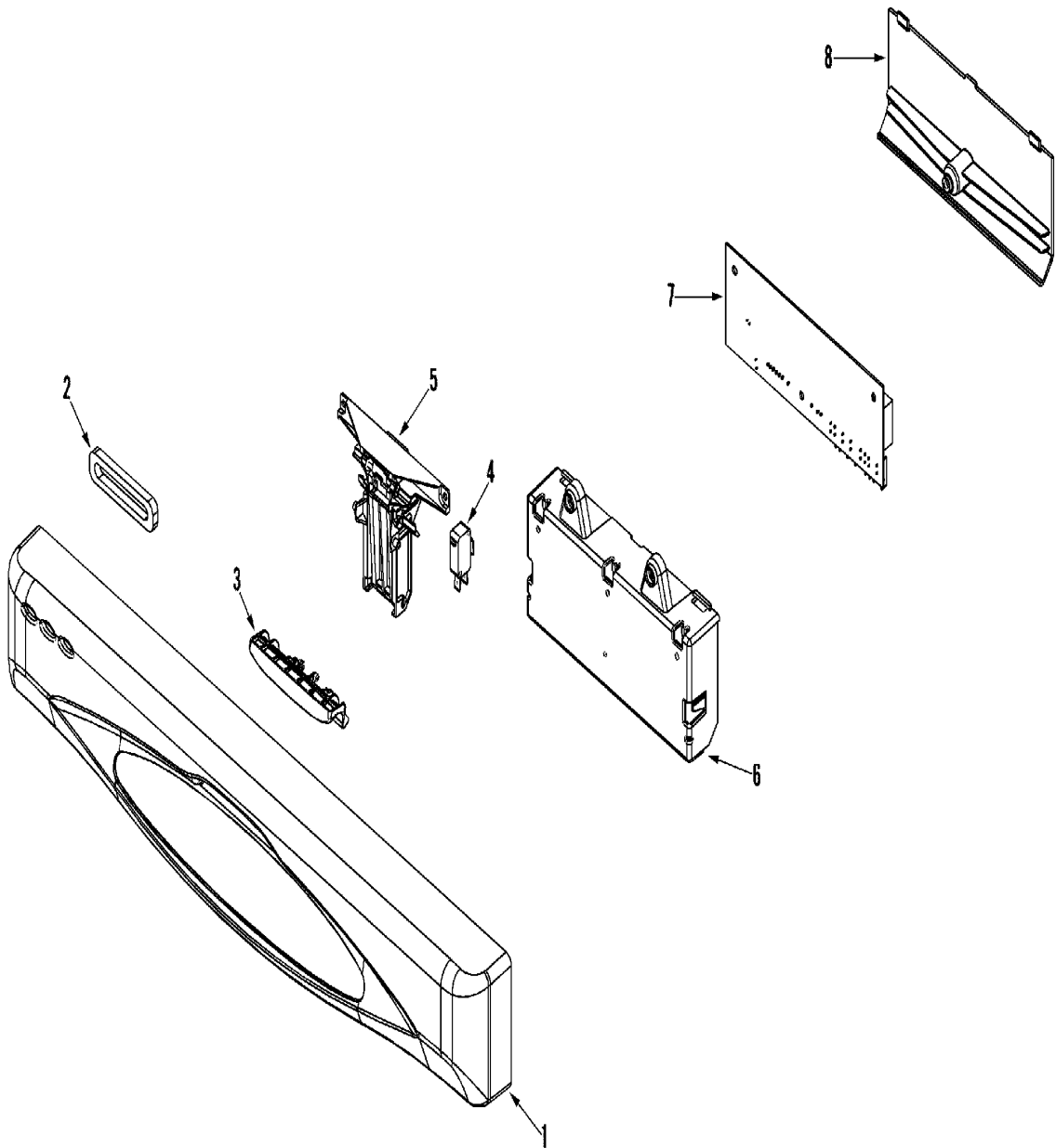
- Product Type
- Part Number
- Model Number
- Part Description

MAYTAG®

©2005 Maytag Services

Section: CONTROL PANEL

Model: MDB5601AWQ



DW11-84

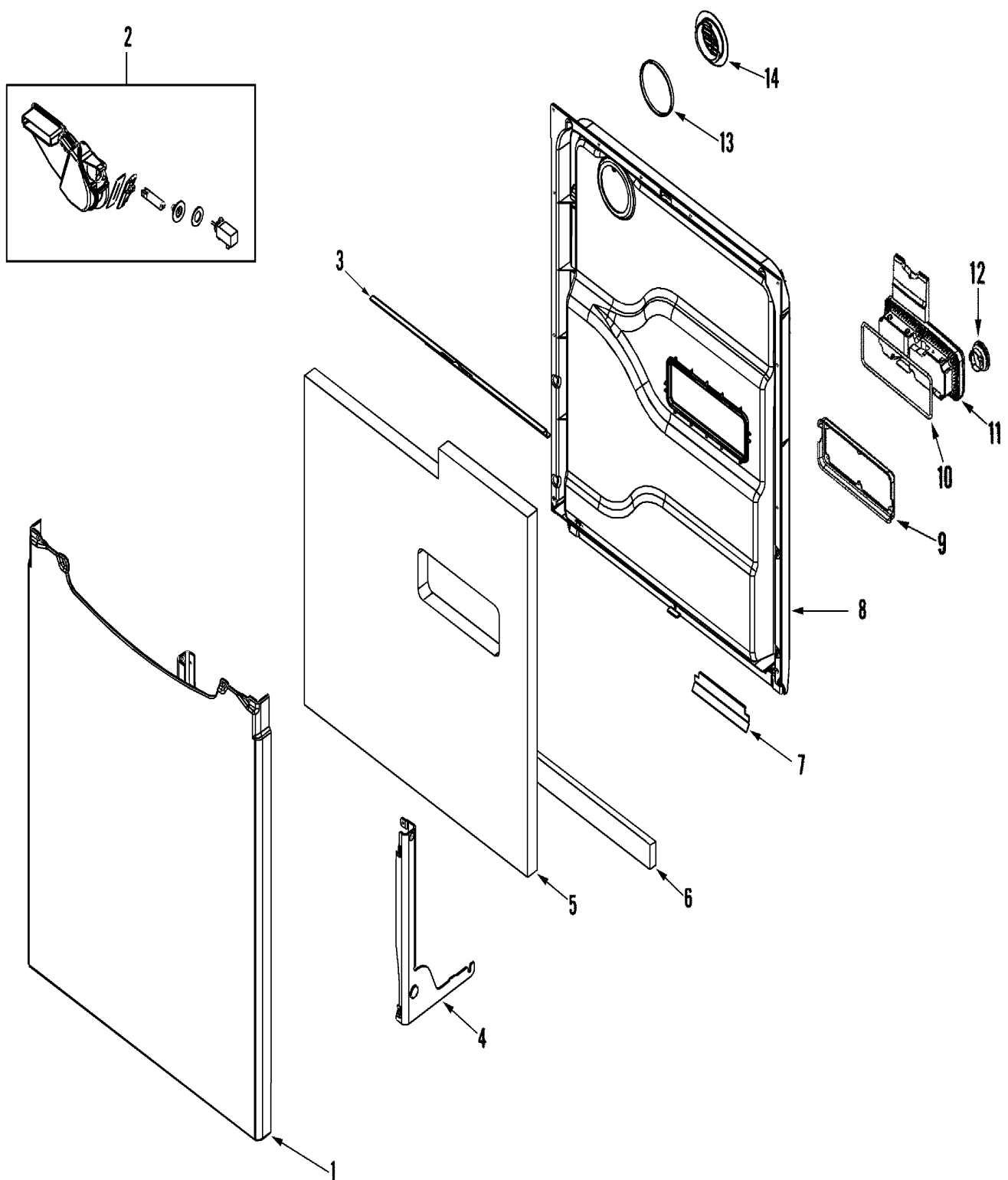
Section: CONTROL PANEL

No.	Part No.	Description	Series	Qty
1	99003380	PANEL, CONTROL (BSQ)	10	1
-	912615	SCREW, #8X1/2 HEX WASHER HEAD Note: SCREW, PANEL	10	4
2	99002573	VENT SEAL, CONTROL PANEL	10	1
3	99002578	HANDLE, LATCH (BSQ)	10	1
4	99002751	SWITCH, DOOR	10	2
5	99003347	LATCH ASSEMBLY	10	1
6	99002576	HOUSING, BOARD (BASE)	10	1
-	912615	SCREW, #8X1/2 HEX WASHER HEAD Note: SCREW, HOUSING	10	2
7	99003431	BOARD, CONTROL	10	1
8	99002575	HOUSING, BOARD (TOP)	10	1
-	912615	SCREW, #8X1/2 HEX WASHER HEAD Note: SCREW, HOUSING	10	1
-	99002986	WIRE HARNESS, MICROPROCESSOR	10	1

*Color Code (-)=Not Shown #=Series, Serial Prefix or Run No., N=Not Available

Section: DOOR

Model: MDB5601AWQ



DW12-79

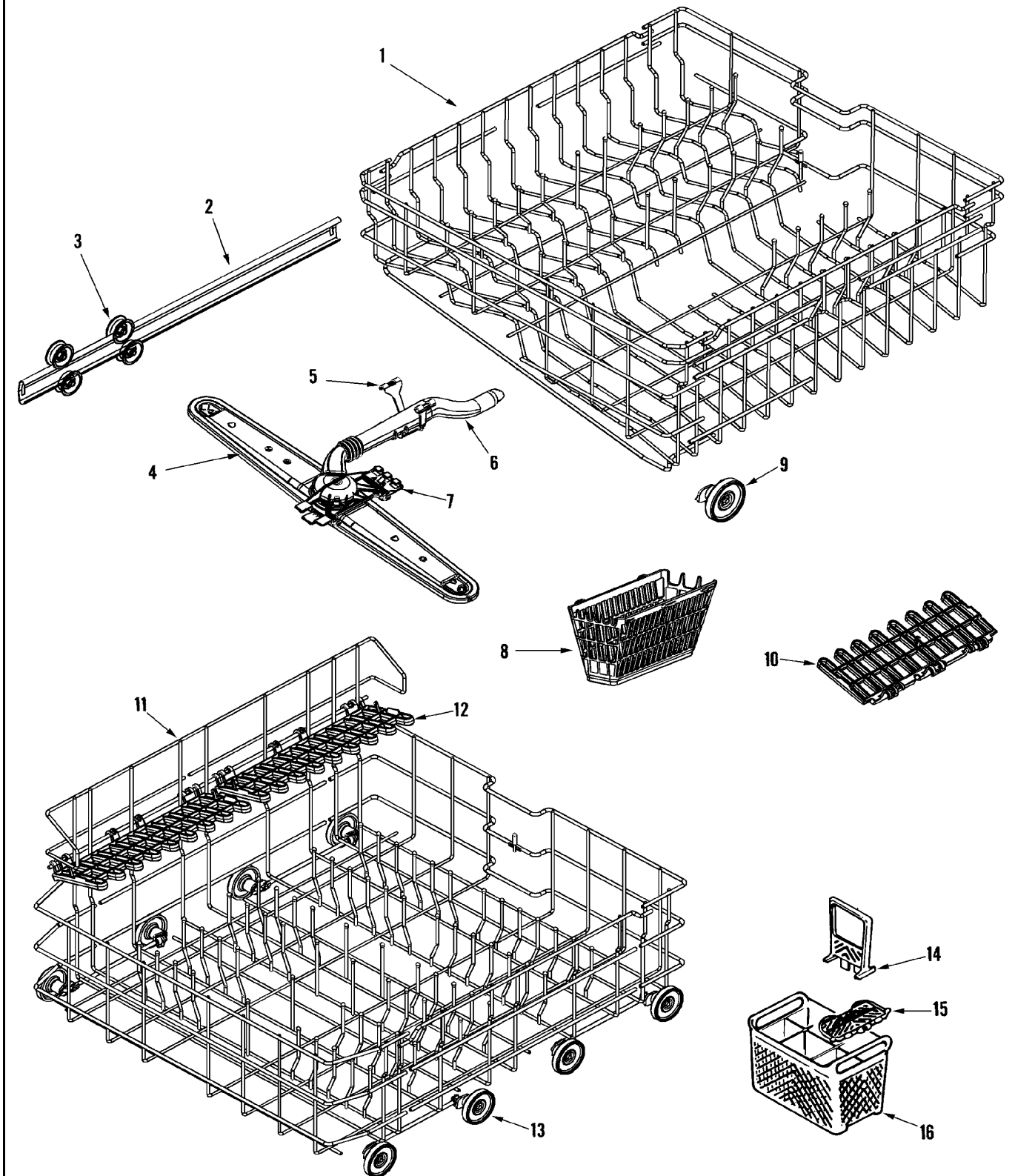
Section: DOOR

No.	Part No.	Description	Series	Qty
1	99002769	PANEL, DECO (W/DAMPER-BSQ)	10	1
2	99002673	VENT HOUSING ASSEMBLY	10	1
3	99002586	REINFORCEMENT, INNER DOOR	10	1
-	Y912620	SCREW Note: SCREW, REINFORCEMENT	10	3
4	99002930	BRACKET, HINGE (RT)	16	1
4	99002929	BRACKET, HINGE (LT)	16	1
-	99001075	SCREW Note: SCREW, BRACKET	10	4
5	Y99002587	INSULATION, DOOR	10	1
6	903233	FOAM STRIP, INSULATION	10	1
7	99002589	SEAL, DOOR (BTM)	10	2
-	99002756	PUSHNUT, STAINLESS	10	2
8	99002970	DOOR, INNER (W/DAMPER)	17	1
-	Y912620	SCREW Note: SCREW, DOOR	10	11
9	99003316	BRACKET, DISPENSER MOUNTING	10	1
-	912615	SCREW, #8X1/2 HEX WASHER HEAD Note: SCREW, BRACKET	10	6
10	99002270	SEAL, BASE	10	1
11	99002611	RINSE AID/DETERGENT DISPENSER	10	1
12	99002614	KNOB, RINSE AID (W/O-RING)	10	1
13	99002186	SEAL, DOOR VENT	10	1
14	99002590	BEZEL, DOOR VENT	10	1

*Color Code (-)=Not Shown #=Series, Serial Prefix or Run No., N=Not Available

Section: TRACK & RACK ASSEMBLY

Model: MDB5601AWQ



DW15-98

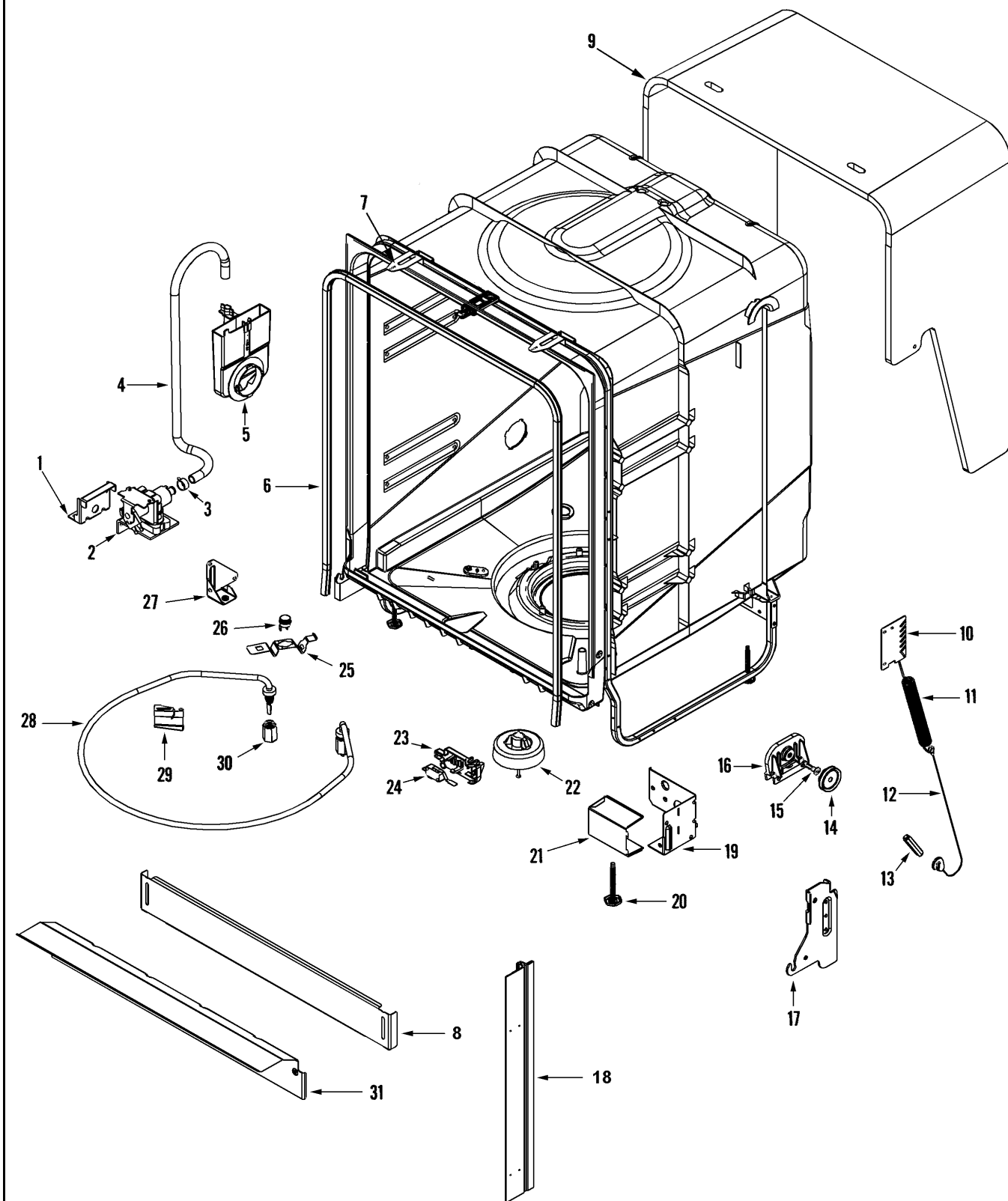
Section: TRACK & RACK ASSEMBLY

No.	Part No.	Description	Series	Qty
1	99003218	RACK ASSEMBLY (UPR)	10	1
-	99002017	CAP, RACK (LIGHT GRAY)	10	1
2	99002621	TRACK, RACK	10	2
-	99002623	STOP, RACK (GRAY)	10	4
-	Y912798	WASHER, TUB WHEEL	10	8
3	99002622	WHEEL, TUB	10	8
-	99002343	SHAFT, TUB WHEEL	10	8
-	99002740	SCREW, TRUSS HEAD (10-18X.75) Note: SCREW, WASH ARM	10	1
4	99002624	ARM, WASH (UPR)	10	1
5	99002670	CLIP, UPR WASH MANIFOLD (BACK)	10	1
6	99002679	WASH MANIFOLD ASSY (UPR)	10	1
7	99002669	CLIP, UPR WASH MANIFOLD (FRT)	10	1
8	99002620	BASKET, AUXILLARY (BLUE)	10	1
9	99002781	WHEEL ASSEMBLY (UPR)	10	4
10	99002671	SHELF, CUP (UPR)	10	2
11	99002964	RACK ASSEMBLY (LWR)	10	1
-	99002017	CAP, RACK (LIGHT GRAY)	10	1
12	99002672	SHELF, CUP (LWR)	10	2
13	99002780	WHEEL ASSEMBLY (LWR)	10	8
14	99002619	HANDLE, SILVERWARE BASKET	10	1
15	99002618	COVER, SILVERWARE BASKET	10	1
16	99002617	BASKET, SILVERWARE (W/COVER)	10	1

*Color Code (-)=Not Shown #=Series, Serial Prefix or Run No., N=Not Available

Section: TUB

Model: MDB5601AWQ



DW13-113

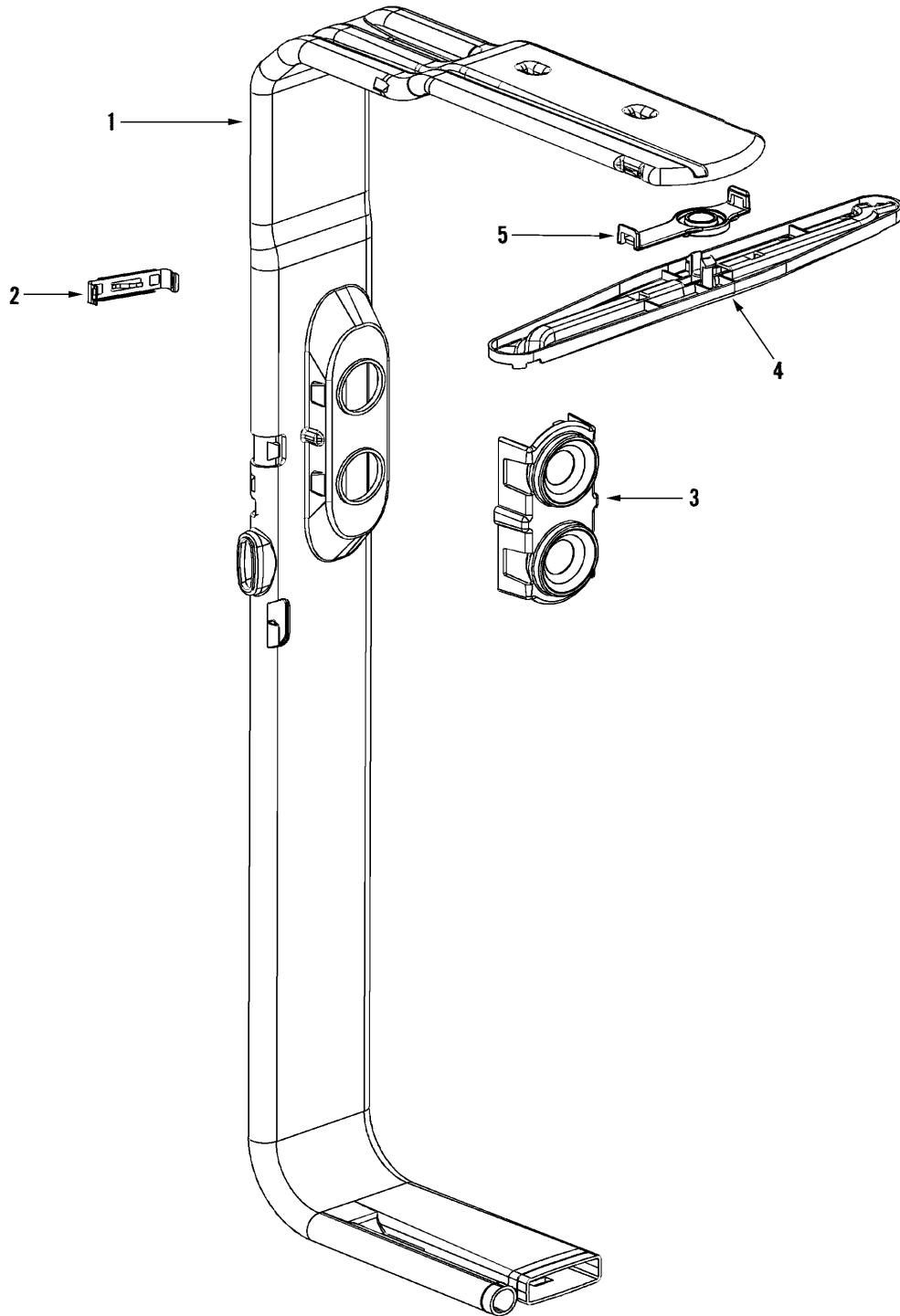
Section: TUB

No.	Part No.	Description	Series	Qty
-	99002601	SCREW 10-32X.400 (T-20 HEAD) Note: SCREW, BRACKET	10	2
1	99002629	BRACKET, WATER VALVE	10	1
-	99002553	SCREW-#8X7/16 HEX WASHER HEAD Note: SCREW, VALVE	10	2
2	99002975	VALVE, WATER	10	1
3	911856	CLAMP, SPRING	10	1
4	99002852	HOSE, INJECTOR	10	1
- N	99002955	FOAM BLOCK, AIR/WATER INLET Note: (APPLY TO PLASTIC TUB BELOW AIR WATER INLET)	10	1
5	99002645	INLET, AIR/WATER	10	1
- N	99002954	FELT, AIR/WATER INLET Note: (APPLY TO PLASTIC TUB BELOW AIR WATER INLET)	10	1
-	99002867	FOAM INSERT, AIR/WATER INLET	10	2
-	99002646	SEAL, AIR/WATER INLET	10	1
-	99002647	COVER, AIR/WATER INLET	10	1
6	99002588	SEAL, DOOR	10	1
7	99002648	BRACKET, CABINET MOUNTING	10	2
8	99002767	PANEL, TOE (W/DAMPER-BSQ)	10	1
-	99002114	SCREW (BSQ) Note: SCREW, PANEL (BSQ)	10	2
9	99002849	INSULATION, TUB	10	1
-	99002640	FASTENER, INSULATION	10	2
10	99002610	BRACKET, SPRING ADJUSTMENT	10	2
-	99002601	SCREW 10-32X.400 (T-20 HEAD) Note: SCREW, BRACKET	10	4
11	99002598	SPRING, DOOR	10	2
12	99002605	CABLE, DOOR	10	2
13	99002606	LINK, DOOR CABLE	10	2
14	99002608	ROLLER, CABLE BRACKET	10	2
15	99002609	SHOULDER BOLT, CABLE BRACKET	10	2
16	99002607	BRACKET, CABLE	10	2
-	99002601	SCREW 10-32X.400 (T-20 HEAD) Note: SCREW, BRACKET	10	4
-	99002601	SCREW 10-32X.400 (T-20 HEAD) Note: SCREW, SUPPORT	10	4
-	99002723	STRIP, TRIM/MOUNTING (TOP)	10	1
18	99003306	TRIM STRIP ASSEMBLY (LT)	10	1
18	99002723	STRIP, TRIM/MOUNTING (TOP)	10	1
18	99003307	TRIM STRIP ASSEMBLY (RT)	10	1
-	99002692	SCREW, TRIM MOUNTING	10	12
19	99002637	BRACKET, JUNCTION BOX SUPPORT	10	1
-	99002601	SCREW 10-32X.400 (T-20 HEAD) Note: SCREW, BRACKET	10	2
20	99002635	LEG, LEVELING	10	4
-	912365	SCREW Note: SCREW, COVER	10	1
21	99002638	COVER, JUNCTION BOX	10	1
22	99002630	FLOAT	10	1
23	99002632	PLATE, SWITCH MOUNTING	10	1
-	99002749	SCREW, STEEL HEX HD PLASITE Note: SCREW, PLATE	10	1
24	99002631	SWITCH, FLOAT	10	1
25	99002634	CLIP, THERMOSTAT	10	1
26	99002633	THERMOSTAT, LIMITING	10	1
-	99002601	SCREW 10-32X.400 (T-20 HEAD) Note: SCREW, BRACKET	10	2
27	99002636	BRACKET, SUPPORT (LT)	10	1
28	99002971	HEATER (W/GASKET)	18	1
-	99002973	GASKET, HEATER	18	2
28	99002625	HEATER	10	1
29	99002626	BRACKET, HEATER SUPPORT	10	2
-	Y913079	O-RING, HEATER	10	2
30	99002972	NUT, HEATER	18	2
31	99002861	SUPPORT, FRONT (W/SEALS)(BSQ)	10	1
-	99002114	SCREW (BSQ) Note: SCREW, SUPPORT (BSQ)	10	2

*Color Code (-)=Not Shown #=Series, Serial Prefix or Run No., N=Not Available

Section: WATER DISTRIBUTION ASSEMBLY

Model: MDB5601AWQ



DW14-72

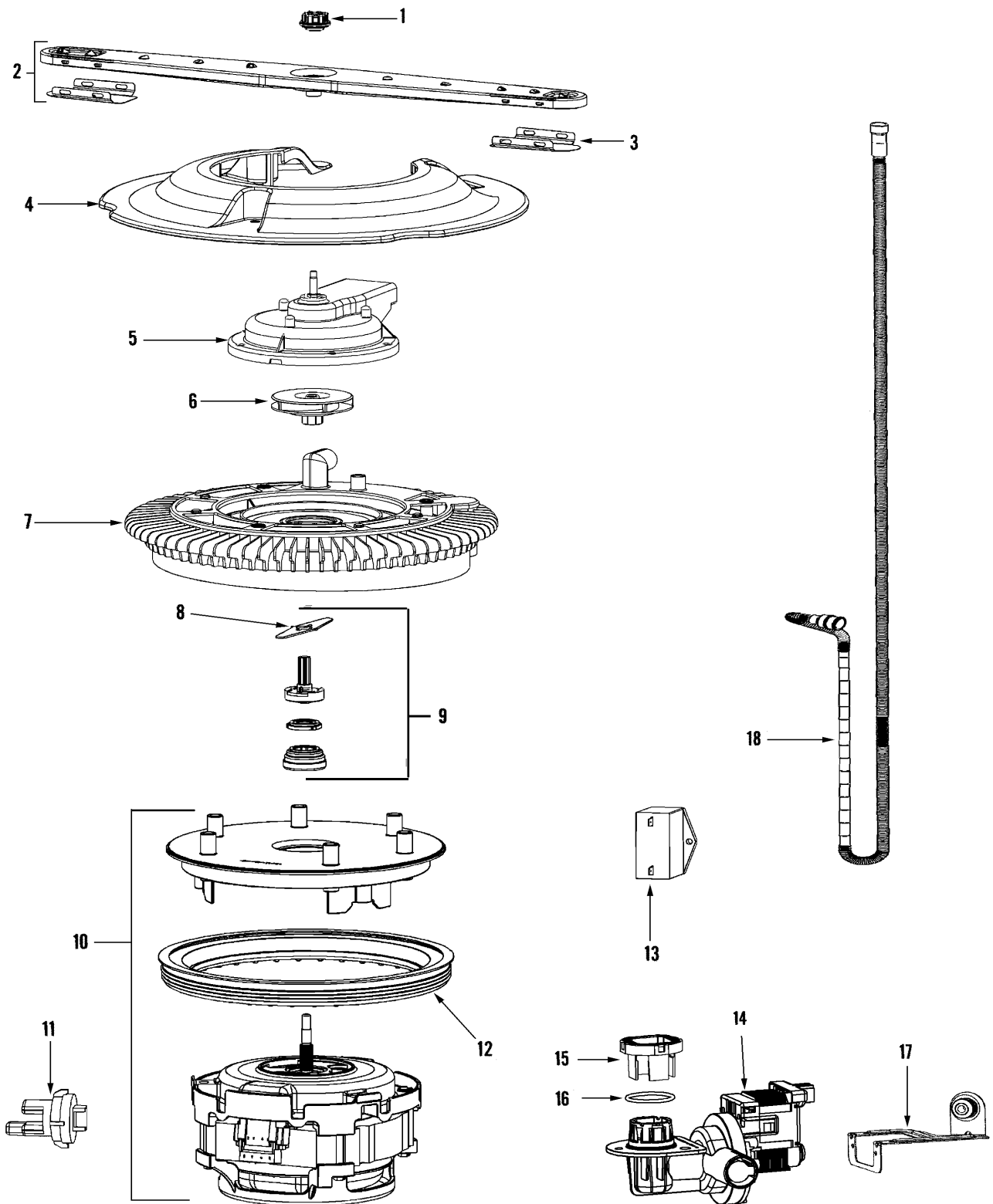
Section: WATER DISTRIBUTION ASSEMBLY

No.	Part No.	Description	Series	Qty
1	99002642	MANIFOLD, MAIN	10	1
2	99002643	BRACKET, MANIFOLD MOUNTING	10	2
3	99002674	STATION, DOCKING (W/FLAPPER)	10	1
4	99002676	WASH ARM, TOP (W/RETAINER)	10	1
5	99002753	RETAINER, TOP WASH ARM	10	1

*Color Code (-)=Not Shown #=Series, Serial Prefix or Run No., N=Not Available

Section: PUMP & MOTOR

Model: MDB5601AWQ



DW14-81

Section: PUMP & MOTOR

No.	Part No.	Description	Series	Qty
1	99002654	CAP, WASH ARM	10	1
2	99002678	WASH ARM, LOWER (W/SHIELDS)	10	1
3	99002653	SHIELD, RADIANT	10	2
4	99002655	GUARD, FILTER (GRAY)	10	1
-	99002666	SCREW Note: SCREW, GUARD	10	3
-	99002664	SCREW, DISCHARGE HOUSING	10	6
5	99002677	DISCHARGE HOUSING ASSY (UPR)	10	1
6	99002659	WASH IMPELLER ASSEMBLY	10	1
-	99002660	SCREW, IMPELLER	10	1
-	99002668	SCREW, STAINLESS PAN HEAD Note: SCREW, FILTER/FLOWPLATE	10	3
7	99003291	ASSY., FILTER/FLOWPLATE	10	1
8	99003427	CHOPPER	10	1
9	99003341	SEAL KIT, METAL CHOPPER SLEEVE	10	1
10	99003430	WASH MOTOR ASSY SEAL NOT INCL	10	1
-	912615	SCREW, #8X1/2 HEX WASHER HEAD Note: SCREW, SENSOR	10	2
11	99002650	SENSOR, TURBIDITY	10	1
-	99002651	O-RING, TURBIDITY SENSOR	10	1
12	99002663	GASKET, PUMP	10	1
-	99002601	SCREW 10-32X.400 (T-20 HEAD) Note: SCREW, CAPACITOR	10	1
-	99003440	SHIELD, CAPACITOR	10	1
13	99002665	CAPACITOR, MOTOR	10	1
14	99002750	DRAIN PUMP ASSEMBLY	10	1
-	99002815	FLAPPER, DRAIN PUMP VALVE	10	1
15	99003058	FLAPPER, DRAIN FILTER	10	1
16	99002857	O-RING, DRAIN PUMP	10	1
-	99002657	SCREW, DRAIN PUMP MOUNTING	10	1
17	99002752	BRKT, DRAIN PUMP (W/GROMMET)	10	1
18	99002652	HOSE, DRAIN	10	1
-	99002656	CLAMP, DRAIN HOSE (1-3/8")	10	1

*Color Code (-)=Not Shown #=Series, Serial Prefix or Run No., N=Not Available

Section: SUPPLEMENTAL INFORMATION

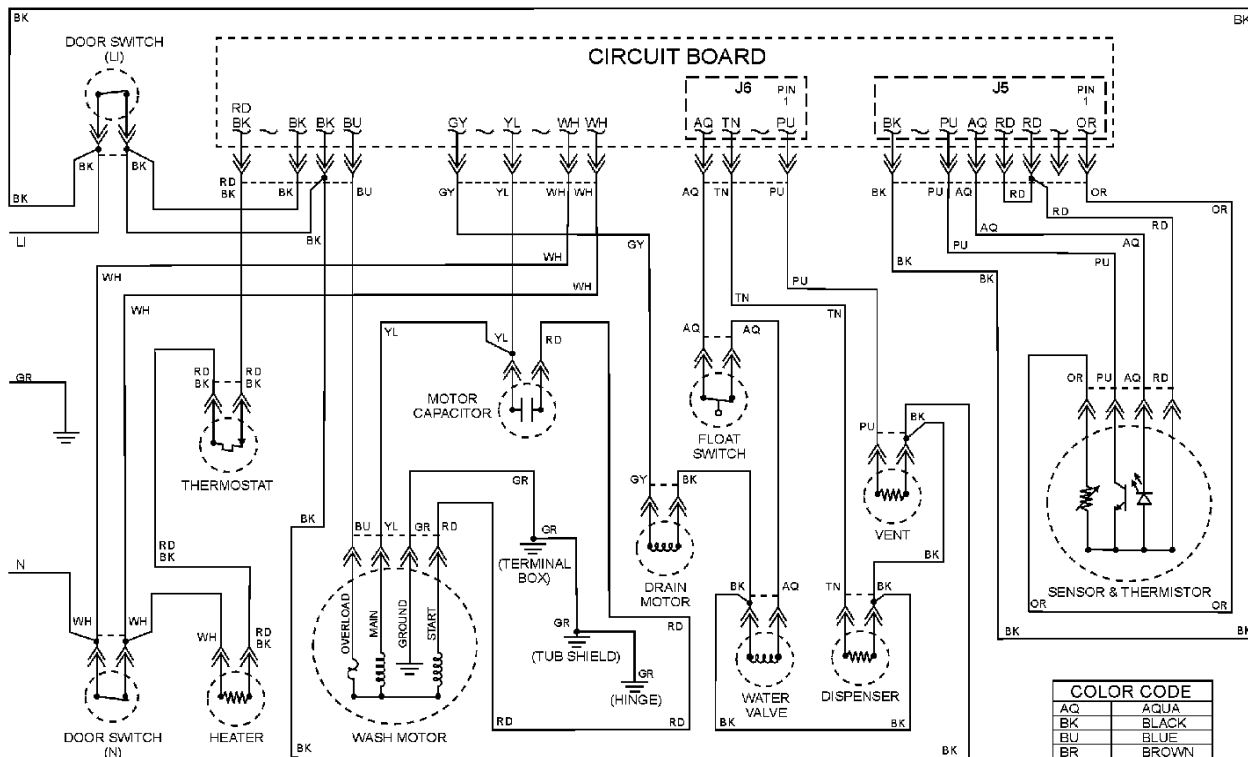
No.	Part No.	Description	Series	Qty
-	6919201	MANUAL, USE & CARE (MDB-5)	10	1
-	Y6920186	MANUAL, USE & CARE	30	1
-	16021814	TALL TUB SERVICE MANUAL	10	1
-	16026393	TECH SHT,DISHWASHER	10	1
-	99003323	GUIDE, ENERGY	10	1
-	99002854	MISC. PARTS PACKAGE	10	1
-	DAX3400AXN	TOE PANEL SPACER KIT (BSQ)	10	1
-	DAX3400AXE	TOE PANEL SPACER KIT (WHT)	10	1
-	DAX3400AXX	TOE PANEL SPACER KIT (BLK)	10	1
-	DAX3200AXE	TRIM STRIP KIT (WHT)	10	1
-	DAX3200AXN	TRIM STRIP KIT (BSQ)	10	1
-	DAX3000AXQ	WOOD PANEL KIT (BSQ)	10	1
-	DAX3000AXB	WOOD PANEL KIT (BLK)	10	1
-	DAX3000AXW	WOOD PANEL KIT (WHT)	10	1

*Color Code (-)=Not Shown #=Series, Serial Prefix or Run No., N=Not Available

Section: WIRING INFORMATION

Model: MDB5601AWQ

ELECTRICAL SCHEMATIC

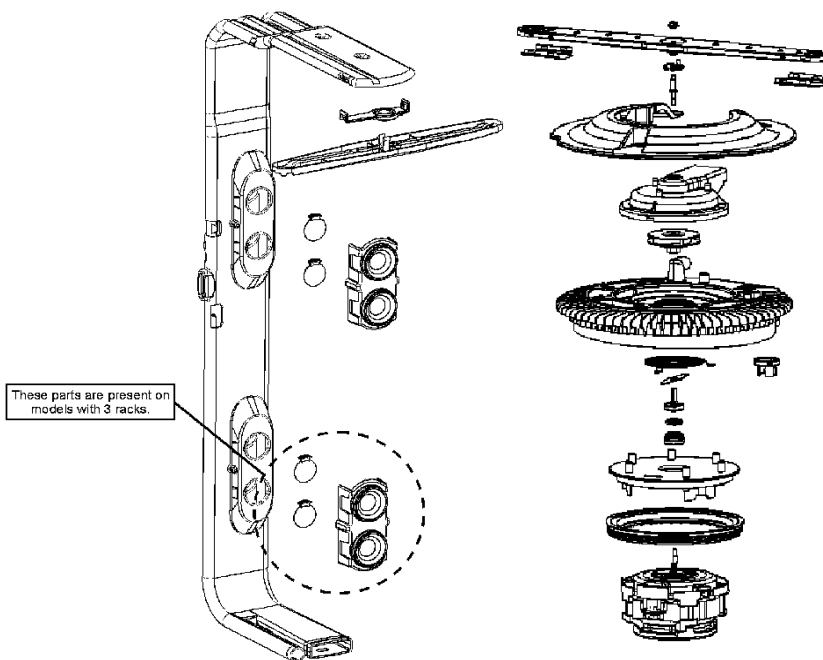


KEY	
+	WIRES NOT CONNECTED
+	WIRES CONNECTED

NOTE: SOME WIRES HAVE STRIPES. STRIPED WIRES ARE LABELED WITH THE SOLID COLOR FIRST AND THE STRIPE COLOR SECOND.

EXAMPLE: A RED WIRE WITH A BLACK STRIPE WOULD BE LABELED RD BK

COLOR CODE	
AQ	AQUA
BK	BLACK
BU	BLUE
BR	BROWN
GY	GRAY
GN	GREEN
OR	ORANGE
PK	PINK
PU	PURPLE
RD	RED
TN	TAN
WH	WHITE
YL	YELLOW



Component Information

Wash Motor	1/3 HP motor, 120V / 60hz, 3.2 amps, 3250 RPM Main wattage, 285 watts Start wattage, 1115 watts
Water Valve	120V / 60hz, 7 watts 1.13 ± .10 gpm at 20 - 120 psi
Heating Element	120V / 60hz, 650 watts ± 5% in air 830 watts ± 5% in cold water
Limit Thermostat	SPST 1/4" terminal switch Close at 149° ± 7°F (65.0° ± 3.9°C) Open at 164° ± 4°F (73.3° ± 2.3°C)
Thermistor	Resistance and tolerance: 10kΩ ± 3% at 77°F (25°C) and 2.4kΩ ± 6.5% at 140°F (60°C)
Wax Motors	Vent - 120V continuous duty 1/4" actuation stroke within 90 seconds Detergent & Rinse Aid - 120V incremental duty with 1/2" actuation stroke within 90 seconds
Capacitor	300V / 50 - 60hz 185°F(85°C), 15µf + 10% / -5%
Drain Motor	45 watts

15003703

