



MICRO
INNOVATIONS™

Quick Installation Guide

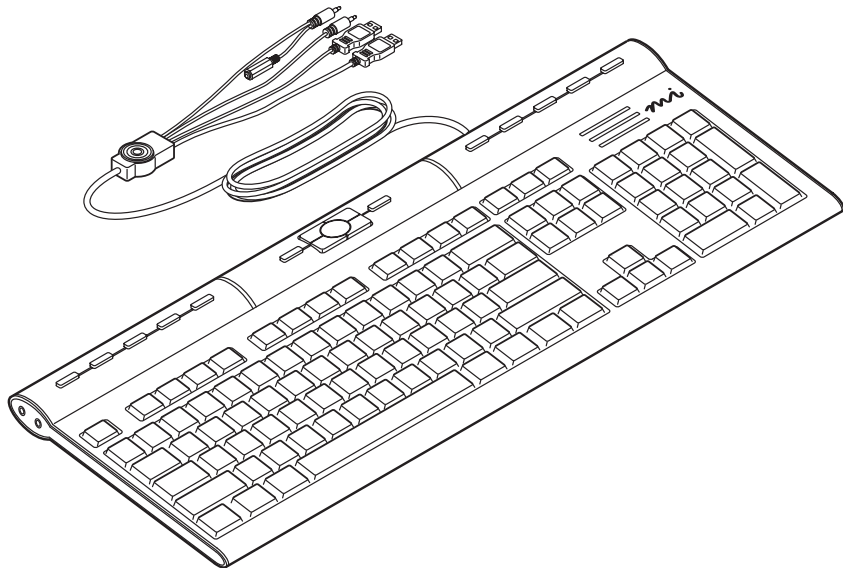
Ultra Slim Multimedia Keyboard (KB3100MF)

We supply (package contents):

- Keyboard with connectors
- User manual
- Quick installation guide
- Warranty

You supply (requirements):

- A computer with a USB port
- Windows® 2000, XP, or Vista™



**For assistance, visit www.microinv.com or call toll free: 1-877-550-5534
Technical support hours: Monday - Friday 8:30am to 7:00pm EST.**

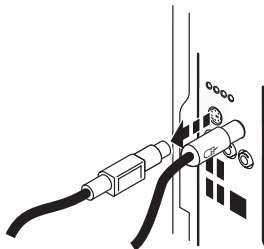
The Windows® name and logo are registered trademarks of Microsoft Corporation.
All brand and product names are trademarks or registered trademarks of their respective companies.



MICRO
INNOVATIONS™

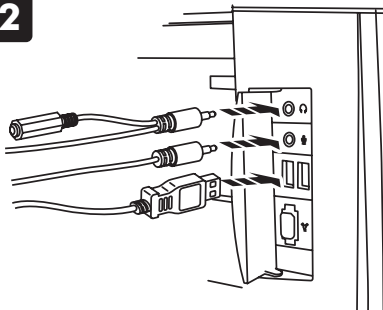
Quick Installation Guide

1



Disconnect your old keyboard.
The cable may look like this.

2



Connect the keyboard (purple connector) to an available USB port on your computer.

Optional: Insert the pink plug into the microphone jack.

Optional: Insert the green plug into the speaker jack.

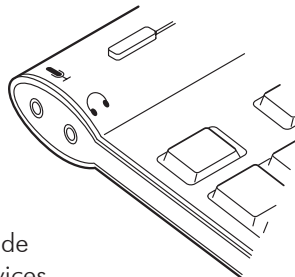
3

Optional: Connect the additional USB (black) connector to another USB port on your computer.

4

If you made the optional connections, connect your other devices to the keyboard.

- Plug your headset or speakers into the port on the left side of the keyboard.
- Plug your microphone into the extension port on the left side of the keyboard.
- Use the USB extension port on the right side of the keyboard to connect other USB devices.



For assistance, visit www.microinv.com or call toll free: 1-877-550-5534
Technical support hours: Monday - Friday 8:30am to 7:00pm EST.