

VERIZON WIRELESS

UM150 User's Manual



CONTENTS

1. BEFORE USING UM150	1
1.1 About this User's Manual	1
1.2 Product Overview	1
1.3 What's Inside the Product Package	1
1.4 Introduction to Verizon Wireless UM150 USB Modem	1
1.5 Product Features	2
1.6 Product Handling	3
1.7 Configuration	3
2. INSTALLING UM150	4
2.1 Precautions	4
2.2 Recommended System Requirements	4
2.3 Installing Software	5
2.3.1 Installation	5
2.3.2 Warnings	5
2.3.3 Notes	5
2.3.4 Using the Device	6
2.3.5 Using the Device as Mass Storage Unit	7
2.3.6 Using the USB Modem Extension Cable	10
3. REGULATORY AND SAFETY INFORMATION	11
3.1 Regulatory Notices	11
3.2 Operating Conditions	11
3.3 Warnings and Cautions	11
3.4 Safety Precautions	13
4. GLOSSARY	14
5. SPECIFIC ABSORPTION RATES (SAR)	16
6. SAFETY INFORMATION FOR RF EXPOSURE	17
7. FCC COMPLIANCE INFORMATION	17
8. U.S. FEDERAL COMMUNICATIONS COMMISSION RADIO FREQUENCY INTERFERENCE STATEMENT	18

1. BEFORE USING UM150

1.1 About this User's Manual

You will find all the information you need to install and use the UM150 in this user's manual. Before using the UM150, you must properly install the UM150 by closely following the installation instructions.

1.1.1 Instructions

- Install the UM150 software before inserting the UM150 USB Device into your PC. The installation software is included in the product package. Insert the CD into your CD-ROM drive. Installation may take a few minutes.
- It is highly recommended that you read the safety precautions described in this manual before using the UM150.

1.2 Product Overview

Thank you for purchasing the Verizon Wireless UM150 PC USB Modem. The UM150 is a 3G wireless device that enables high-speed wireless communication from your PC. The UM150 is simple to install and use.

1.3 What's Inside the Product Package

The following items are included in the product package. If any of the items listed below are missing, please contact the retail location where you purchased the product.

- UM150 Wireless PC USB Modem
- Installation CD that contains software and this user's manual
- USB Modem Extension Cable
- Quick Reference Guide

1.4 Introduction to Verizon Wireless UM150 PC USB Modem

The Verizon Wireless UM150 is designed for your PC's USB port, which is available in most PC models. The UM150 can be used to access the Internet, your company's intranet, or you can use it to send and receive email. It is extremely useful when you are away from the office, on the road, or wherever a wireline Internet access is not readily available.



1.5 Product Features

- Power management: The UM150 utilizes power management and system overhead reduction functions provided by the USB interface for maximum power savings.
- Antenna design: Efficient, innovative design optimizes data transfer rate and sensitivity to network signals.
- Extension Y Cable connector: Simply insert the USB connector into the USB port of your computer to deliver a power boost, increased RF performance, and to solve clearance issues.
- External Memory: Provides microSD* card slot for an External Memory Card for storing Sounds, Pictures, Videos and Cache (* microSD card is optional)
- USB Modem that supports Type A USB Port interface.
- Supports North American PCS (1900 MHz) and Cellular (800 MHz) bands.
- Utilizes QUALCOMM MSM6800 chip set.
- Supports 3G network technologies.
- Average Data Rate: 600 Kbps to 1.4 Mbps download; 500 to 800Kbps upload.
- Supports Windows 2000 and XP and Vista systems with installed host software and driver.
- Compatible with Mac OSX 10.3.9 or higher.
- Provides Verizon Wireless BroadbandAccess and NationalAccess network service.

1.6 Product Handling

- 1) Do not put any adhesive label on the USB connector. It may leave a sticky residue that can cause problems inside the PC USB port.
- 2) The UM150 USB device should easily slide into the USB port. Do not force the UM150 into the USB port as it may cause damage to the modem and/or the port.
- 3) Keep the UM150 in a dry and clean place.
(Storage temperature: -22°F to 149°F [- 30°C to 65°C]). Keep your device away from liquids, dust and excessive heat.

1.7 Configuration

To use the UM150, you should install the software included in the installation CD and configure the UM150 USB device. See the next section for more information on software installation and USB device configuration.

2. INSTALLING UM150

2.1 Precautions

- 1) Do not insert the UM150 before installing the software on the computer. When you complete the software installation, the system will prompt you to insert the UM150 into the USB port.
- 2) Once the card has been inserted into the PC, do not remove it from your PC without first completing the unplugging/ejection process.

2.2 Recommended System Requirements

To successfully install and use the UM150 USB device in your PC, the following system specifications are required.

Item	Required Specification
Operating system	Windows® Vista / Windows® XP / Windows® 2000 / Mac OSX 10.3.9 or higher.
Port	Type A USB port
Processor	150MHz or faster
Disk drive	CD-ROM
Memory	32 MB
Disk space	28.1MB
Dial-up networking	DUN bound to TCP/IP

* The UM150 is useful for Pocket PCs that include a USB port. Voice service is not supported.

2.3 Installing Software

2.3.1 Installation

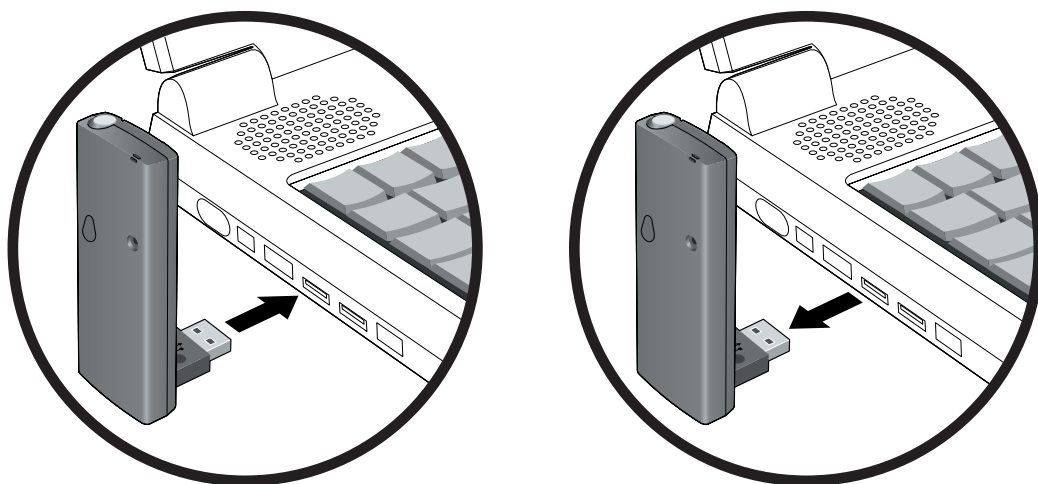
- If you install VZAccess Manager, it will install the USB Driver for the UM150. Follow the instructions from VZAccess Manager for installation.

2.3.2 Warnings

- Make sure to complete the unplugging/ejection process before removing the UM150. If you remove the device improperly, the product may be damaged. (For further information on unplugging/ejection process, please refer to pages 8-9.)
- When switching modes – *Mass Storage* to *Mass Storage and Modem* and vice versa – the UM150 must be disconnected from your computer.
- Before inserting the UM150 into your PC's USB port, remove the Installation CD from the CD-ROM drive.

2.3.3 Notes

- If you have inserted the device properly, Windows will inform you of the new hardware. Wait until Windows completes the “Found New Hardware” task. In Windows 2000, several windows similar to “Found New Hardware” window can appear and disappear automatically. In Windows XP, several tool tips similar to the “Found New Hardware” function will appear and disappear in the system tray automatically. In Windows Vista, several tool tips similar to the “Installing device driver software” function will appear and disappear in the system tray automatically. Once hardware detection is complete, you will be prompted to start activation.
- It is normal to hear a short beep sound each time you insert or remove the UM150. It is an audible notification that your PC recognizes the new hardware.

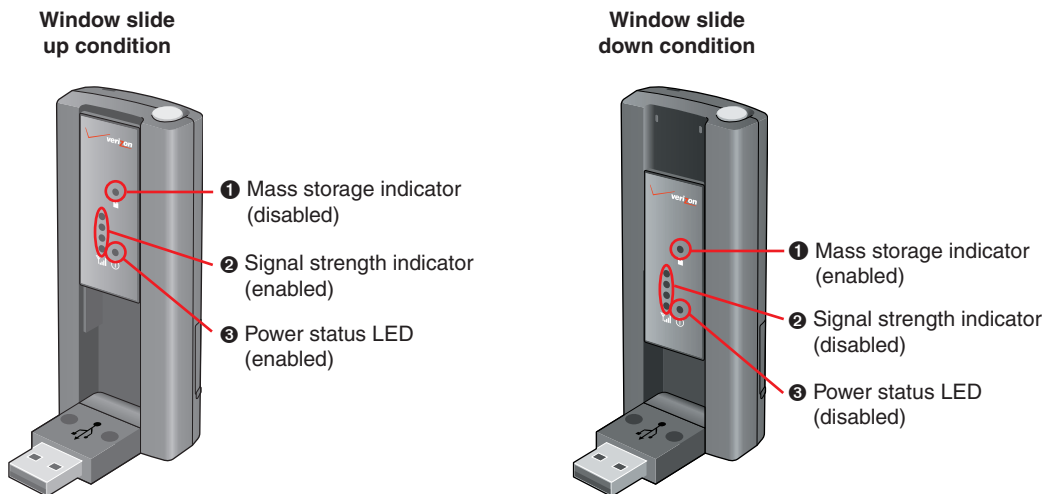






2.3.4 Using the Device

The usage mode is set by sliding the window up or down before connecting to your PC.

- To use the UM150 as both a modem and mass storage device, slide the window up and insert the UM150 into a PC USB port. To use it as a mass storage device only, slide the window down and insert the UM150 into a PC USB port.

Note: Make sure to complete the unplugging/ejection process before removing the UM150. If you remove the device improperly, the product may be damaged.



Function	Operation	LED Status	
Modem and Mass storage	Slide the window up ➔ Insert to PC USB port	1 OFF 2 ON (Blue light level shows signal strength) 3 ON (Blue light blinks)	
	Slide the window up ➔ Insert to PC USB port ➔ Slide the window down	1 ON (Blue light blinks) 2 OFF 3 OFF	
Mass storage only	Slide the window down ➔ Insert to PC USB port	1 ON (Blue light stays on) 2 OFF 3 OFF	
	Slide the window down ➔ Insert to PC USB port ➔ Slide the window up	1 OFF 2 OFF 3 ON (Blue light stays on)	

Note: For a computer with no VZW Access Manager installed, to use UM150 as a mass storage device only, slide the window down and insert it into a PC USB port.

2.3.5 Using the Device as a Mass Storage Unit

- To use this device as a Mass storage unit, you must insert microSD Card (sold separately) in the slot located in the right down side of this device.

How to Insert and Use the microSD Memory Card

- The UM150 is equipped with removable, memory storage. The convenience of this feature enables you to connect to high-speed BroadbandAccess for Internet and VPN accessibility on the fly and store precious data simultaneously to an external drive without the need of another flash drive.
- A microSD card (sold separately) is required to take advantage of the memory storage feature and is available in capacity sizes up to 4GB+.

To Insert a microSD Card

1. Locate the microSD port as depicted in the figure to the right.



2. Line up the microSD card with the port as shown here.
3. Gently push in the microSD card one time until it clicks into place.

To Save Information on the microSD Card

- Saving files to the microSD Memory Card on the UM150 follow the same principles as saving files to any external flash drive per your specific operating system.
- You may save downloaded files directly to the microSD card or save files from an application.

To Eject a microSD Card

1. Lift the bottom of the protective cover and turn it to show the microSD card inside the slot.
2. Gently push in the microSD card one time until it pops-up.
3. Carefully pull out the microSD card and keep the card in a safe place.

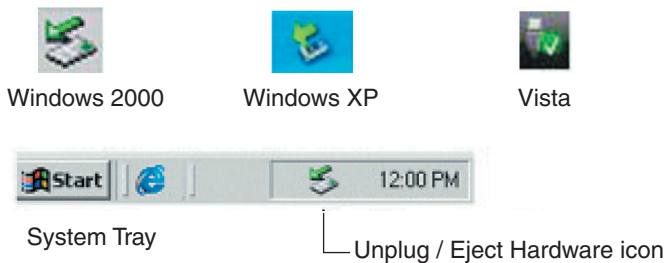
Note: Do not eject microSD Memory Card from the UM150 while the device is connected to your computer.

Unplugging or Ejecting the Device

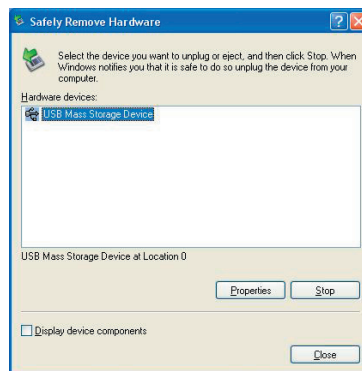
Make sure to complete the unplug/eject process on your computer before removing the UM150 from your PC. If you remove the USB device improperly, the product may be damaged.

- WINDOWS

When disconnecting a USB mass storage device from the computer, close all windows and quit all running applications that are stored on the device and double click the Unplug/Eject Hardware icon in the System tray.







When you press the Unplug/Eject icon in the system tray, the pop-up window will appear.

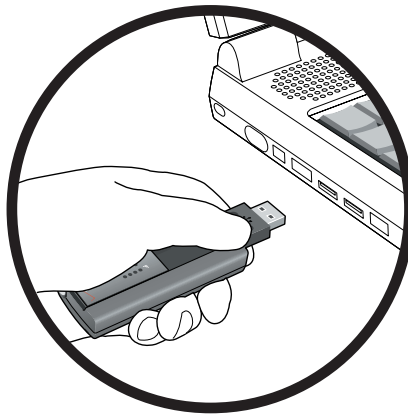


Click the [Stop] button. Now, you can remove the UM150 from your PC.

- **MACINTOSH**

When disconnecting a USB mass storage device from the computer, close all windows and quit all running applications that are stored on the device and drag the device's icon (Mac OS9 –  ; Mac OS X – ) onto trash (Mac OS9 –  ; Mac OS 10 – ) to dismount it from the Desktop prior to unplugging the device from the USB port or Hub.

Note: When removing the UM150, always grip the top and bottom of the modem and push/pull carefully.



You may save files to the UM150 three ways:

- Save download files directly to the microSD card.
- Removable Storage.
- Save files from an Application.

2.3.6 Using the USB Modem Extension Cable

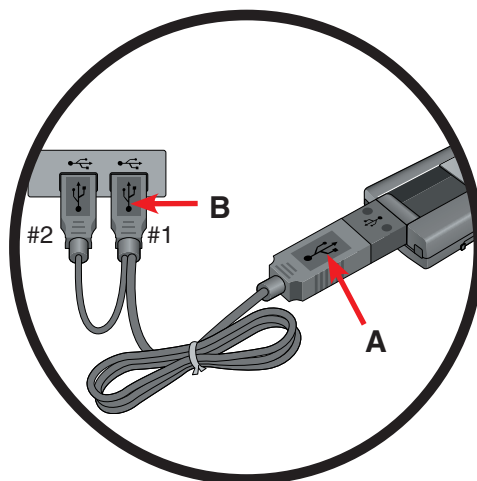
- The UM150 Modem package includes an extension USB Y-shaped cable. Although the cable is not required for use with your UM150 Modem, it offers increased performance for your UM150 Modem under certain operating conditions. Simply insert the USB connector into the USB port of your computing device to deliver power boost, increased RF performance, and to solve clearance issues.

Using the USB Modem Extension Cable:

- 1) Plug the single end of the Y-shaped cable into the UM150 Modem. **[A]**
- 2) Depending on the condition you are trying to solve (power boost, increased RF performance, or clearance issues), plug either one of the two connected ends of the USB modem extension cable into the Type A USB port(s) on your computer. **[B]**

Note: The USB modem extension cable connector labeled #1, is the primary data power cable used to either extend the UM150 modem away from your computer allowing you to locate the modem in a more optimum signal location or solve any computer USB port clearance issues. The USB modem extension cable connector labeled #2, is a power boost cable and must be used with connector #1 to provide the modem up to 1Amp of current for use in weaker signal areas.

- 3) The device is connected to and powered by the computer as soon as the USB cable is plugged properly into the appropriate Type A USB port(s).
- 4) Launch VZAccess Manager and click **Connect**.



3. REGULATORY AND SAFETY INFORMATION

3.1 Regulatory Notices

UM150 complies with Parts 15, 22, and 24 of the FCC rules. It has been tested with the typical personal computer with a USB port. This USB device must not be co-located or operated in conjunction with any other antenna or transmitter. If you use this USB device in any other configuration, the FCC RF Exposure compliance limit can be exceeded.

3.2 Operating Conditions

- 1) This device may not cause harmful interference, and this device must accept any interference received, including interference that may cause undesirable operations.
- 2) The manufacturer stipulates that the antenna should be more than 1.5 cm (0.60") from by-standers and 1.0cm (0.39") from the user.



3.3 Warnings and Cautions

- 1) Modifying or changing this USB device without express authorization can nullify compliance with RF exposure guidelines.
- 2) This USB device has been tested and found to comply with the limits pursuant to Part 15, 22, and 24 of the FCC Rules. These limits are designed to provide reasonable protection against harmful interference when appropriately installed. This USB device generates, uses, and can radiate radio frequency and, if not installed and used according to the instructions provided, it may cause harmful interference to radio communication. However, there is no guarantee that interference will not occur in any particular installation.

- 3) If this USB device does cause harmful interference with radio or television signals (determine this by turning the USB device off and on), attempt to correct the interference by trying one or more of the following:
 - Reorient or relocate the antenna.
 - Increase the separation between the USB device and receiver.
 - Connect the USB device into an outlet on a circuit different from that to which the receiver is connected.
 - Consult the dealer or an experienced radio/TV technician for help.
- 4) This USB device does not exceed the Class B limits for radio noise emissions from digital apparatus as set out in the interference causing equipment standard entitled “Digital Apparatus”, ICES-003 of the Department of Communications.
- 5) If you have purchased this product under a United States Government contract, it shall be subject to restrictions as set forth in subparagraph (C)(1)(ii) of Defense Federal Acquisitions Regulations (DFARs) Section 252.227-7013 for Department of Defense contracts, and as set forth in Federal Acquisitions Regulations (FARs) Section 52.227-19 for civilian agency contracts or any successor regulations. If further government regulations apply, it is your responsibility to ensure compliance with such regulations.

* **WARNING:** This product contains a chemical known to the State of California to cause cancer.

* **WARNING:** This product contains a chemical known to the State of California to cause birth defects or other reproductive harm.

3.4 Safety Precautions

- 1) Data transmission and reception cannot be guaranteed because of the nature of wireless communications. Data can be delayed, corrupted or lost during transmission. Even though it is quite rare that significant data delay or loss occurs if the USB device is used in a normal manner, this USB device should not be used in cases that data transmission or reception failure could result in damage of any kind to the user or another party, including but not limited to personal injury, death or loss of personal property. UTStarcom bears no responsibility for damages or losses of any kind resulting from delays or errors in data transmission using the USB device, or for failure of the USB device to transmit or receive such data.
- 2) Do not use this USB device in areas where blasting is in progress, where explosive atmospheres may be present, near medical equipment, life support equipment, or any equipment which may be susceptible to any form of radio interference. Turn off this USB device in these areas, since it can transmit signals that could interfere with this equipment.
- 3) Do not use this USB device in any aircraft whether the aircraft is on the ground or in flight. Make sure to turn off this USB device in aircraft. If used in an aircraft, it can transmit signals that could interfere with various aircraft systems.
- 4) Do not use this USB device while driving a car, since it can distract driver's driving. In some area, using the communication device while driving a car is illegal.

4. GLOSSARY

NationalAccess

Analog Coverage

An area where analog service is available. Analog phones usually indicate signal strength on an indicator in the phone's display when receiving an analog signal.

Browser

The software that allows you to view the Internet; contains navigator commands such as forward and back; examples include Netscape, Microsoft Explorer. A Web browser in your computer requests HTML files from Web servers and takes you to the Internet sites you wish to visit, by linking your computer's IP address to a site's IP address.

COM PORT (communications port)

A connector for a communications interface, usually, a serial port.

Data

Information kept in databases, on an intranet, on the Internet, etc.

Driver

Software that controls a device.

Inactivity Time-Out

A stoppage in a connection, which usually occurs after a period of time elapses, without activity. Time-out settings are usually determined by the network.

Internet

A cooperatively run, globally distributed collection of computer networks that exchange information via a common set of rules for exchanging data (Transfer Control Protocol/Internet Protocol or TCP/IP).

Intranet

An intranet is a web site created by a business, which posts its own company information in a secure part of the Internet that only employees or other authorized users can reach. Intranets are generally protected by firewalls.

Kbps

Kilobits per second.

Kilobyte (KB)

1024 bits (Approximately 1/2 page of plain text)

Modem

Hardware that translates and transmits data over wire-line or wireless.

Package Minutes

Package minutes are those minutes included in the cost of a monthly service plan. Once the packaged minutes have been exhausted, additional airtime charges apply. Please refer to Plans and Pricing for more information, details and offers in your area.

Packet Switching

Packet-switching messages are divided into packets or pieces before transmission over one or more routes and are reassembled at their destination.

POP3 e-mail

Protocol used by ISP's mail servers to manage e-mail for subscribers. E-mail clients such as Microsoft Outlook support POP3.

Proxy Settings

A specific I.P. address that allows access to a secured enterprise network. The proxy settings provide directions to a computer so that it can locate an address and access information and services, which exist at that location.

Search Engine

A program that receives a user's search request, compares it to the entries in the index, and returns results to help the user find relevant information.

Serial Port

A connector on a computer used to connect peripherals, which communicate using a serial protocol.

Serial/Data Cable

A wire that connects two serial ports carrying data to one another.

Transmission Speed

The rate at which data is sent over a communications line, usually measured in kilobits (kbps).

USB Cable

A wire connecting two USB ports carrying data to one another.

USB Port

A connector on a computer to connect peripherals using USB (Universal Serial Bus) protocol.

5. SPECIFIC ABSORPTION RATES (SAR)

Maximum: SAR 1.19 W/kg CDMA835 Body
SAR 0.854 W/kg PCS1900 Body

THIS MODEL PHONE MEETS THE GOVERNMENT'S REQUIREMENTS FOR EXPOSURE TO RADIO WAVES.

Your wireless phone is a radio transmitter and receiver. It is designed and manufactured not to exceed the emission limits for exposure to radiofrequency (RF) energy set by the Federal Communications Commission of the U.S. Government. These limits are part of comprehensive guidelines and establish permitted levels of RF energy for the general population. The guidelines are based on standards that were developed by independent scientific organizations through periodic and thorough evaluation of scientific studies. The standards include a substantial safety margin designed to assure the safety of all persons, regardless of age and health. The exposure standard for wireless mobile phones employs a unit of measurement known as the Specific Absorption Rate, or SAR. The SAR limit set by the FCC is 1.6 W/kg. *

Tests for SAR are conducted with the phone transmitting at its highest certified power level in all tested frequency bands. Although the SAR is determined at the highest certified power level, the actual SAR level of the phone while operating can be well below the maximum value. This is because the phone is designed to operate at multiple power levels so as to use only the power required to reach the network. In general, the closer you are to a wireless base station antenna, the lower the power output. Before a phone model is available for sale to the public, it must be tested and certified to the FCC that it does not exceed the limit established by the government adopted requirement for safe exposure. The tests are performed in positions and locations (e.g., at the ear and worn on the body) as required by the FCC for each model. The highest SAR value for this model phone when tested for use at the when worn on the body , as described in this user guide, is 1.19 W/Kg. (Body-worn measurements differ among phone models, depending upon available accessories and FCC requirements). While there may be differences between the SAR levels of various phones and at various positions, they all meet the government requirement for safe exposure. The FCC has granted an Equipment Authorization for this model phone with all reported SAR levels evaluated as in compliance with the FCC RF exposure guidelines. SAR information on this model phone is on file with the FCC and can be found under the Display Grant section of <http://www.fcc.gov/oet/fccid> after searching on **FCC ID: PP4PX-600**.

Additional information on Specific Absorption Rates (SAR) can be found on the Cellular Telecommunications Industry Association (CTIA) web-site at <http://www.wow-com.com>.

* In the United States and Canada, the SAR limit for mobile phones used by the public is 1.6 watts/kg (W/kg) averaged over one gram of tissue. The standard incorporates a substantial margin of safety to give additional protection for the public and to account for any variations in measurements.

SAFETY INFORMATION FOR RF EXPOSURE

Body worn operation

This device was tested in multiple notebook computer configurations with USB port configurations for typical near-body operations with the back of the USB Modem kept 20mm from the body. To maintain compliance with FCC RF exposure requirements it can be used in notebook computers with substantially similar physical dimensions, construction, and electrical and RF characteristics, and that maintain a minimum 20mm separation distance between the user's body and the back of the USB Modem, including the antenna. The antenna(s) used for this USB Modem must not be co-located or must not operate in conjunction with any other antenna or transmitter within a host device.

Safety Information

SAFETY INFORMATION FOR FIXED WIRELESS TERMINALS POTENTIALLY EXPLOSIVE ATMOSPHERES

Turn your phone OFF when in any area with a potentially explosive atmosphere and obey all signs and instructions. Sparks in such areas could cause an explosion or fire resulting in bodily injury or even death.

INTERFERENCE TO MEDICAL DIVICES

Certain electronic equipment may be shielded against RF signal from you wireless phone. (pacemakers, Hearing Aids, and so on) Turn your phone OFF in health care facilities when any regulations posted in these areas instruct you to do so. RF signals may affect improperly installed or inadequately shielded electronic system in motor vehicles.

EXPOSURE TO RF ENERGY

Use only the supplied or an approved replacement antenna. Do not touch the antenna unnecessarily when the phone is in use. Do not move the antenna close to, or couching any exposed part of the body when making a call.

FCC Compliance Information

This device complies with Part 15 of FCC Rules.

Operation is subject to the following two conditions:

- (1) This device may not cause harmful interference, and
- (2) This device must accept any interference received.
Including interference that may cause undesired operation.

U.S.A.
U.S.FEDERAL COMMUNICATIONS COMMISSION
RADIO FREQUENCY INTERFERENCE STATEMENT

INFORMATION TO THE USER

NOTE : This equipment has been tested and found to comply with the limits for a Class B digital device pursuant to Part 15 of the FCC Rules. These limits are designed to provide reasonable protection against harmful Interference in a residential installation. This equipment generates, uses, and can radiate radio frequency energy and, if Not installed and used in accordance with the instructions, may cause harmful Interference to radio communications. However, there is no guarantee that interference will not occur in a particular Installation. If this equipment does cause harmful interference to radio or television reception, which can be determined by turning the equipment off and on, the user is encouraged to try to correct the interference by one or more of the following measures:

- *- Reorient or relocate the receiving antenna.
Increase the separation between the equipment and receiver.
- *- Connect the equipment into an outlet of a circuit different from that to which the receiver is connected.
- *- Consult the dealer or an experienced radio/TV technician for assistance.
Changes or modification not expressly approved by the party responsible for Compliance could void the user's authority to operate the equipment. Connecting of peripherals requires the use of grounded shielded signal cables.