

## ISA/PCMCIA Full Duplex Single-Chip Ethernet and Modem Controller with RAM

### FEATURES

- ISA/PCMCIA Single Chip Ethernet Controller With Modem Support
- 6 Kbytes Built-In RAM
- Supports IEEE 802.3 (ANSI 8802-3) Ethernet Standards
- Full Duplex Support
- Hardware Memory Management Unit
- Built-In AUI and 10BASE-T Network Interfaces
- Simultasking™ - Early Transmit and Early Receive Functions
- Advanced Power Management Features/Including Magic Packet Frame Control
- Software Compatible with SMC91C92/SMC91C94 (in ISA Mode)
- Configuration Registers Implement Cardbus Multi-Function Specification V3.0 with Backward Compatibility to V2.1
- Interfaces Directly to Lucent Technologies and Rockwell International Modem Chipsets
- On-Chip Attribute Memory (CIS) of up to 512 Bytes (On Even Addresses) For Card Configuration Information; Expandable Externally
- Option for Serial or Parallel EEPROM for CIS
- Optional External Flash Capability for XIP (Execute in Place)
- Automatic Technology to Detect TX/RX 10BASE-T Transceiver Pair Miswiring
- Low Power CMOS Design
- Supports Magic Packet Wakeup
- 128 Pin VTQFP Package

### Bus Interface

- Direct Interface to ISA and PCMCIA with No Wait States
- High Impedance Speaker Interface
- Flexible Bus Interface
- 16-Bit Data and Control Paths
- Fast Access Time (40 ns)
- Pipelined Data Path
- Handles Block Word Transfers for Any Alignment
- High Performance Chained ("Back-to-Back") Transmit and Receive
- Flat Memory Structure for Low CPU Overhead
- Dynamic Memory Allocation Between Transmit and Receive
- Buffered Architecture, Insensitive to Bus Latencies (No Overruns/Underruns)
- Supports Boot PROM for Diskless ISA Applications

Simultasking is a trademark and SMC is a registered trademark of Standard Microsystems Corporation

## TABLE OF CONTENTS

<b>FEATURES.....</b>	<b>1</b>
<b>PIN CONFIGURATION .....</b>	<b>3</b>
<b>GENERAL DESCRIPTION.....</b>	<b>4</b>
<b>OVERVIEW .....</b>	<b>4</b>
<b>PIN REQUIREMENTS.....</b>	<b>7</b>
<b>DESCRIPTION OF PIN FUNCTIONS.....</b>	<b>9</b>
<b>BUFFERTYPES.....</b>	<b>17</b>
<b>FUNCTIONAL DESCRIPTION.....</b>	<b>21</b>
<b>INTERRUPT STRUCTURE .....</b>	<b>32</b>
<b>RESET LOGIC.....</b>	<b>33</b>
<b>POWERDOWN LOGIC.....</b>	<b>34</b>
<b>PCMCIA ATTRIBUTE MEMORY: ADDRESS 0- 7FFEh.....</b>	<b>35</b>
<b>PCMCIA CONFIGURATION REGISTERS: ADDRESS 8000-803Eh.....</b>	<b>35</b>
<b>INTERNAL VS EXTERNAL ATTRIBUTE MEMORY MAP.....</b>	<b>36</b>
<b>THEORY OF OPERATION .....</b>	<b>69</b>
<b>“MAGIC PACKET” SUPPORT.....</b>	<b>70</b>
<b>INTERNAL VS. EXTERNAL ATTRIBUTE MEMORY MAP.....</b>	<b>80</b>
<b>PCMCIA CONFIGURATION REGISTERS DESCRIPTION.....</b>	<b>82</b>
<b>FUNCTIONAL DESCRIPTION OF THE BLOCKS.....</b>	<b>91</b>
<b>BOARD SETUP INFORMATION.....</b>	<b>100</b>
<b>OPERATIONAL DESCRIPTION.....</b>	<b>104</b>
<b>TIMING DIAGRAMS .....</b>	<b>108</b>

### **Related Documentation**

1. PCMCIA 2.1 Standard (for PCMCIA timing and functionality)
2. PCMCIA 3.X spec (for multi-function extensions)
3. AT&T HSM288xCF Modem Chip Set Data Sheet - July 5, 1994
4. Rockwell RC224ATF and C39 Modem Chip Sets Designer's Guide

## Network Interface

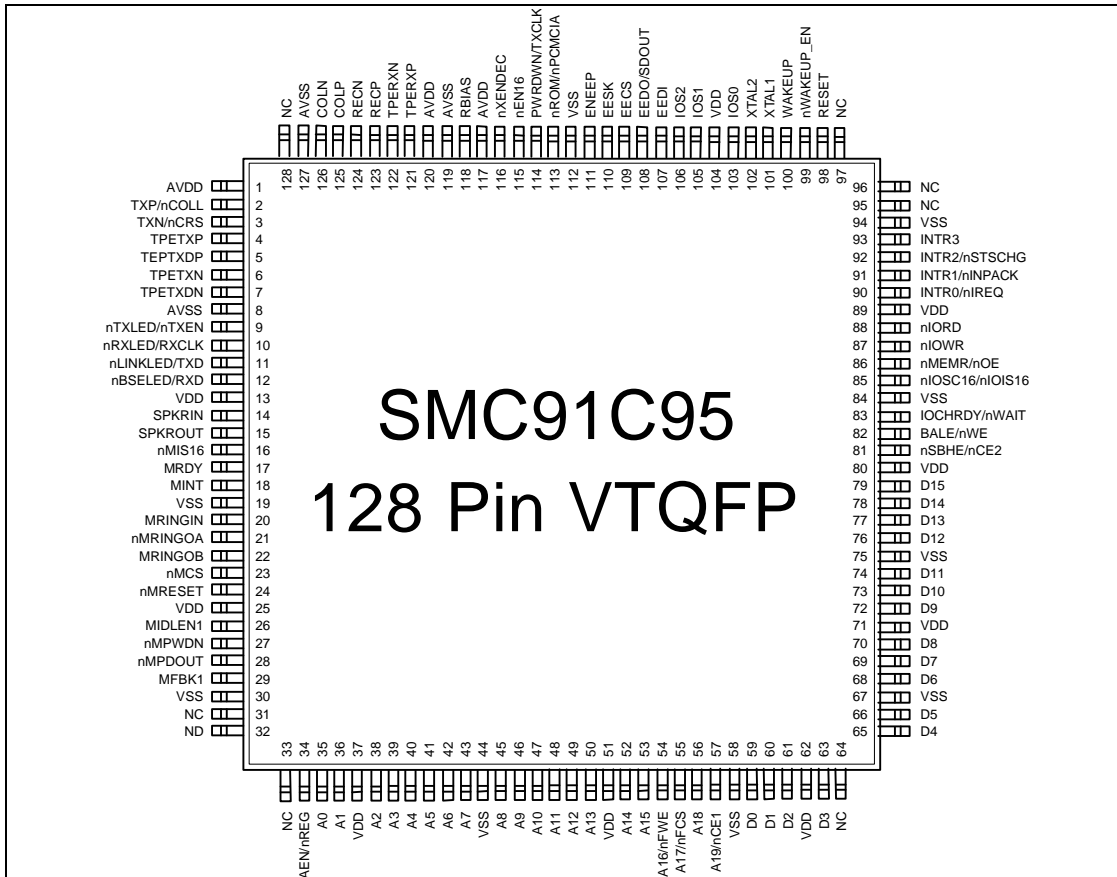
- Integrates 10BASE-T Transceiver Functions:
  - Driver and Receiver
  - Link Integrity Test
  - Receive Polarity Detection and Correction
- Integrates AUI Interface
- Implements 10 Mbps Manchester Encoding/Decoding and Clock Recovery
- Automatic Retransmission, Bad Packet Rejection, and Transmit Padding
- External and Internal Loopback Modes

- Four Direct Driven LEDs for Status/Diagnostics

## Software Drivers

- Uses Certified SMC9000 Drivers Which Operate with Every Major Network Operating System
- Software Driver Compatible with SMC91C92, SMC91C94 and SMC91C100 (100 Mbps) Controllers in ISA Mode
- Software Driver Utilizes Full Capability of 32 Bit Microprocessor

## PIN CONFIGURATION



## GENERAL DESCRIPTION

The SMC91C95 is a VLSI Ethernet Controller that combines ISA and PCMCIA interfaces, as well as an interface to a companion modem chip set, in one chip. The SMC91C95 integrates all the MAC and physical layer functions as well as the packet RAM needed to implement a high performance 10BASE-T (twisted pair) node. For 10BASE5 (thick coax), 10BASE2 (thin coax), and 10BASE-F (fiber) implementations, the SMC91C95 interfaces to external transceivers via its AUI port. Only one additional IC is required on most applications.

The SMC91C95 occupies 16 I/O locations and no memory space except for PCMCIA attribute memory space. The same I/O space is used for both ISA and PCMCIA operations. The SMC91C95 can directly interface the ISA and PCMCIA buses and deliver no wait state operation. Its shared memory is sequentially

accessed with 40ns access times to any of its registers, including its packet memory. No DMA services are used by the SMC91C95; virtually decoupling network traffic from local or system bus utilization. For packet memory management, the SMC91C95 integrates a unique hardware Memory Management Unit (MMU) with enhanced performance and decreased software overhead when compared to ring buffer and linked list architectures. The SMC91C95 is portable to different CPU and bus platforms due to its flexible bus interface, flat memory structure (no pointers), and its loosely coupled buffered architecture (not sensitive to latency).

The SMC91C95 interfaces directly with Rockwell International L39/C39 controller-based modems and Lucent Technologies' HSM288xCF modem.

---

## OVERVIEW

A unique architecture allows the SMC91C95 to combine high performance, flexibility, high integration and simple software interface.

The SMC91C95 incorporates the SMC91C92/4 functionality for ISA environments with several new features, as well as a PCMCIA interface and attribute registers that comply with the PCMCIA Multi-Function specification. Mode selection between ISA and PCMCIA is static and is done only once at the end of power on reset. The SMC91C95 consists of the same logical I/O register structure in ISA and PCMCIA modes. However, some of the signals used to access the PCMCIA differ from the ISA mode. Additional registers exist in the PCMCIA attribute space. The ROM memory space only exists in ISA mode and the attribute space only exists in PCMCIA mode.

I/O decoders are included in the SMC91C95's PCMCIA interface, with independent decoders for the LAN and for the modem functions.

These decoders are used whenever the SMC91C95 is used as a multi-function card, and they can be bypassed when only one function is enabled. The SMC91C95 also merges the LAN's internal interrupt source with the external modem interrupt connected to the SMC91C95.

The MMU (Memory Management Unit) architecture used by the SMC91C95 combines the simplicity and low overhead of fixed areas with the flexibility of linked lists providing improved performance over other methods.

The SMC91C95 is designed to support full duplex switched Ethernet where transmit and

receive are fully independent. It has 6 kbytes of internal memory and the MMU manages memory in 256 byte pages. The memory size accommodates the increase in interrupt latency resulting from simultaneous LAN and modem operation as well as the potential for simultaneous transmit and receive traffic in some full duplex applications.

Packet reception and transmission are determined by memory availability. All other resources are always available if memory is available. To complement this flexible architecture, all ISA bus interface functions are incorporated in the SMC91C95, as well as a 4608 byte packet RAM and serial EEPROM-based setup. The user can select or modify configuration choices.

The SMC91C95 stores the Configuration Information Structure (CIS) on reset or power-up from the serial EEPROM. This allows the host to access data to allow the setup of the PCMCIA multi-function card.

In ISA mode, the serial EEPROM acts as storage for configuration and IEEE Ethernet address information compatible with the existing SMC9000 family of ISA Ethernet controllers.

In PCMCIA mode, the serial EEPROM stores the CIS, as well as the IEEE address, information, but it does not store any I/O or IRQ information since this information is handled by the host's socket controller. For CIS requirements above 512 bytes, an optional external parallel EEPROM can be used in conjunction with the internal CIS. This allows additional external, non-volatile storage for applications that require XIP and use the modem function. If the serial EEPROM is not used in PCMCIA mode, the parallel EEPROM must be used. In this case, the parallel EEPROM is selected for the first 512 bytes of storage as well, allowing the CIS to be stored in the parallel EEPROM and, on power-up, to be

read directly by the host. The remaining parallel EEPROM can be used for XIP applications, if needed.

The SMC91C95 integrates most of the 802.3 functionality, incorporating the MAC layer protocol, the physical layer encoding and decoding functions with the ability to handle the AUI interface. For twisted pair networks, the SMC91C95 integrates the twisted pair transceiver as well as the link integrity test functions.

The SMC91C95 is a true 10BASE-T single chip able to interface a system or a local bus.

Directly-driven LEDs for installation and run-time diagnostics are provided, as well as 802.3 statistics gathering to facilitate network management.

The SMC91C95 offers:

High integration:

Single chip adapter including:

- Packet RAM
- ISA bus interface
- PCMCIA interface
- EEPROM interface
- Encoder decoder with AUI interface
- Full duplex, magic packet 10BASE-T transceiver
- Lucent Technologies and Rockwell International modem interface

High performance:

- Chained ("back-to-back") packet handling with no CPU intervention:
  - Queues transmit packets
  - Queues receive packets
  - Full duplex operation for higher network throughput
  - Stores results in memory along with packet
  - Queues Ethernet and modem interrupts
  - Optional single interrupt upon completion of transmit chain

Fast block move operation for load/unload:

- CPU sees packet bytes as if stored contiguously
- Handles 16 bit transfers regardless of address alignment
- Access to packet through fixed window

Fast bus interface:

- Compatible with ISA type and faster buses

Flexibility:

Flexible packet and header processing:

- Can be set to Simultasking - Early Receive and transmit modes
- Can access any byte in the packet
- Can immediately remove undesired packets from queue
- Can move packets from receive to transmit queue
- Can alter receive processing order without copying data
- Can discard or enqueue again a failed transmission

Resource allocation:

- Memory dynamically allocated for transmit and receive
- Can automatically release memory on successful transmission

Configuration:

ISA:

- Uses non-volatile jumperless setup via serial EEPROM

PCMCIA:

- Uses serial EEPROM for attribute memory storage. PCMCIA I/O ignores address lines A4-A15 and relies on the PCMCIA host, decoding for the slot

nROM/nPCMCIA on the SMC91C95 is left open with a pullup for ISA mode. This pin is sampled at the end of Power On Reset. If found low, the SMC91C95 is configured for PCMCIA mode.

### PIN REQUIREMENTS

FUNCTION	ISA	PCMCIA	NUMBER OF PINS
SYSTEM ADDRESS BUS	A0-A15 A16 A17 A18 A19 AEN	A0-A15 nFWE nFCS  nCE1 nREG	21
SYSTEM DATA BUS	D0-D15	D0-D15	16
SYSTEM CONTROL BUS	RESET BALE nIORD nIOWR nMEMR IOCHRDY nIOCS16 nSBHE INTR0 INTR1 INTR2 INTR3	RESET nWE nIORD nIOWR nOE nWAIT nIOIS16 nCE2 nIREQ nINPACK nSTSCHG	12
MODEM INTERFACE	nMRESET MINT nMCS MRDY nMPWDN MIDLEN1 MRINGIN nMRINGOA MRINGOB SPKRIN SPKROUT nMPDOUT MFBK1 nMIS16	nMRESET MINT nMCS MRDY nMPWDN MIDLEN1 MRINGIN nMRINGOA MRINGOB SPKRIN SPKROUT nMPDOUT MFBK1 nMIS16	14
SERIAL EEPROM	EEDI EEDO EECS EESK ENEEP IOS0 IOS1 IOS2	EEDI EEDO EECS EESK ENEEP IOS0 IOS1 IOS2	8

<b>FUNCTION</b>	<b>ISA</b>	<b>PCMCIA</b>	<b>NUMBER OF PINS</b>
CRYSTAL OSC.	XTAL1 XTAL2	XTAL1 XTAL2	2
POWER	VDD AVDD	VDD AVDD	12
GROUND	GND AGND	GND AGND	12
10BASE-T INTERFACE	TPERXP TPERXN TPETXP TPETXN TPETXDP TPETXDN	TPERXP TPERXN TPETXP TPETXN TPETXDP TPETXDN	6
AUI INTERFACE	RECP REC� COLP COLN TXP/nCOLL TXN/nCRS	RECP REC� COLP COLN TXP/nCOLL TXN/nCRS	6
LEDs	nLNKLED/TXD nRXLED/RXCLK nBSELED/RXD nTXLED/nTXEN	nLNKLED/TXD nRXLED/RXCLK nBSELED/RXD nTXLED/nTXEN	4
MISC.	RBIAS WAKEUP nWAKEUPEN PWRDWN/TXCLK nXENDEC nEN16 ROM/nPCMCIA	RBIAS WAKEUP nWAKEUPEN PWRDWN/TXCLK nXENDEC nEN16 ROM/nPCMCIA	7
TOTAL PINS			120



### DESCRIPTION OF PIN FUNCTIONS

PIN NO.	NAME	SYMBOL	TYPE	DESCRIPTION
113		nROM/ nPCMCIA	I/O4 with pullup	This pin is sampled at the end of RESET. When this pin is sampled low the SMC91C95 is configured for PCMCIA operation and all pin definitions correspond to the PCMCIA mode. For ISA operation this pin is left open and is used as a ROM chip select output that goes active when nMEMR is low and the address bus contains a valid ROM address.
35, 36, 38-43, 45-50, 52, 53	Address 0- 15	A0-A15	I	Input address lines 0 through 15.
54	Address 16  nFlash Memory Write	A16  nFWE	I  O4	ISA - Input address line 16.  PCMCIA - Output. Flash Memory Write Enable used for programming the attribute memory. Goes active (low) when nWE=0 and WRATTRIB=1 (in ECOR bit 3).
55	Address 17  nFlash Memory Chip Select	A17  nFCS	I  O4	ISA - Input address line 17.  PCMCIA - Output. Flash Memory Chip Select used to access attribute memory. Goes active (low) when nREG=0, nCE1=0 and A15=0.
56	Address 18	A18	I	Input address line 18.
57	Address 19  Card Enable 1	A19  nCE1	I with pullup	ISA - Input address line 19.  PCMCIA - Card Enable 1 input. Used to select card on even byte accesses.
34	Address Enable	AEN  nREG	I with pullup	ISA - Address enable input. Used as an address qualifier. Address decoding is only enabled when AEN is low.  PCMCIA - Attribute memory and IO select input. Asserted when the card attribute space or IO space is being accessed.

### DESCRIPTION OF PIN FUNCTIONS

PIN NO.	NAME	SYMBOL	TYPE	DESCRIPTION
81	nByte High Enable	nSBHE	I with pullup	ISA - Byte High Enable input. Asserted (low) by the system to indicate a data transfer on the upper data byte.
	nCard Enable 2	nCE2		PCMCIA - Card Enable 2 input. Used to select card on odd byte accesses.
83	Ready	IOCHRDY	OD24 with pullup	ISA - Output. Optionally used by the SMC91C95 to extend host cycles.
	nWait	nWAIT		PCMCIA - Output. Optionally used by the SMC91C95 to extend host cycles.
59, 60, 61, 63, 65, 66, 68-70, 72-74, 76-79	Data Bus	D0-D15	I/O24	Bidirectional. 16 bit data bus used to access the SMC91C95 internal registers. The data bus has weak internal pullups. Supports direct connection to the system bus without external buffering.
98	Reset	RESET	IS with pullup	Input. Active high Reset. This input is not considered active unless it is active for at least 100ns to filter narrow glitches. A POR circuit generates an internal reset upon power up for at least 15msec. All hardware reset references in this spec relate to the OR function of the POR and the RESET pin.
82	Address Latch	BALE	IS with pullup	ISA - Input. Address strobe. For systems that require address latching, the falling edge of BALE latches address lines and nSBHE.
	nWrite Enable	nWE		PCMCIA - Write Enable input. Used for writing into COR and CSR registers as well as attribute memory space.
90	Interrupt	INTR0	O24	ISA - Active high interrupt signal. The interrupt line selection is determined by the value of INT SEL1-0 bits in the Configuration Register. This interrupt is tri-stated when not selected.

### DESCRIPTION OF PIN FUNCTIONS

PIN NO.	NAME	SYMBOL	TYPE	DESCRIPTION
	nInterrupt Request	nIREQ		PCMCIA - Active low interrupt request output. Pin acts as a Ready pin during power-up. The pin should be pulled low within 10us of the application of the VCC or Reset (which ever occurs later). It remains low(0) until the CIS is loaded in the Internal SRAM. The high(1) state indicates to the host controller that the device is ready.
91	Interrupt 1	INTR1	O24	ISA - Output. Active high interrupt signal. The interrupt line selection is determined by the value of INT SEL1-0 bits in the Configuration Register. This interrupt is tri-stated when not selected.  PCMCIA - Output asserted to acknowledge read cycles for an enabled function.
92	Interrupt 2  nStatus Changed	INTR2  nSTSCHG	O24	ISA - Output. Active high interrupt signal. The interrupt line selection is determined by the value of INT SEL1-0 bits in the Configuration Register. This interrupt is tri-stated when not selected.  PCMCIA - Status changed bit. Depending on the setting of the RingEn bit (Modem CCSR), this pin either reflects the ringing status (ExCA mode) or the state of the Modem Changed bit. The ringing status is obtained by stretching the MRINGIN to convert a 20Hz toggle rate to a constant level.
93	Interrupt 3	INTR3	O24	ISA - Output. Active high interrupt signal. The interrupt line selection is determined by the value of INT SEL1-0 bits in the Configuration Register. This interrupt is tri-stated when not selected.
85	n/O 16	nIOCS16	OD24	ISA - Active low output asserted in 16 bit mode when AEN is low and A4-A15 decode to the SMC91C95 address programmed into the high byte of the Base Address Register.

### DESCRIPTION OF PIN FUNCTIONS

PIN NO.	NAME	SYMBOL	TYPE	DESCRIPTION
		nIOIS16		PCMCIA - Active low output asserted whenever the SMC91C95 is in 16 bit mode, and "Enable Function" bit in the ECOR register is high, nREG is low and A4-A15 decode to the LAN address specified in I/O Base Registers 0 and 1 in PCMCIA attribute space.
88	nI/O Read	nIORD	IS with pullup	Input. Active low read strobe used to access the SMC91C95 IO space.
87	nI/O Write	nIOWR	IS with pullup	Input. Active low write strobe used to access the SMC91C95 IO space.
86	nMemory Read nOutput Enable	nMEMR nOE	IS with pullup	ISA - Active low signal used by the host processor to read from the external ROM. PCMCIA - Output Enable input used to read from the COR, CSR and attribute memory.
24	nModem Reset	nMRESET	O4	Reset output to Modem. Asserted whenever RESET pin is high, internal POR is active, or SRESET bit is high (MCOR bit 7).
18	Modem Interrupt	MINT	I with pull down	Interrupt input from Modem. Reflected in INTR (CSR bit 1) and asserts the appropriate interrupt pin if enabled.
23	nModem Chip Select	nMCS	O4	Chip select output to modem.
17	Modem Ready	MRDY	I with pullup	Modem ready input. Low indicates the modem is not ready, either after reset or exiting from stop or sleep modes.
27	nModem Powerdown	nMPWDN	O4	Powerdown output to modem controller. This pin is active (low) when either the PWRDWN bit (CSR bit 2) is set or the modem is disabled (not configured).

### DESCRIPTION OF PIN FUNCTIONS

PIN NO.	NAME	SYMBOL	TYPE	DESCRIPTION
26		MIDLEN1	O4	Powerdown output to modem controller. This pin is active (high) when either the PWRDWN bit (CSR bit 2) is set or the modem is disabled (not configured).
20	Modem Ring Input	MRINGIN	I	Ring input from the modem controller. Toggles when ringing, low when not ringing.
21	nModem Ring Output A	nMRINGOA	O4	Ring output signal. When there is no ringing on the MRINGIN pin and the modem is not in Powerdown mode this output is high. During ringing this signal is the inverse of the MRINGIN input. When the PWRDWN bit is set or the function is disabled, this output is low. This signal is activated about 12 msec after removing Powerdown.
22	Modem Ring Output B	MRINGOB	O4	Ring output signal. When the modem is not in Powerdown mode (PWRDWN bit is zero and the function is enabled) this output follows the value of the MRINGIN input. When entering Powerdown mode, a rising edge is generated on the pin. A rising edge is also generated when exiting Powerdown mode also. Refer to Figure 2.
14	Speaker Input	SPKRIN	I with pullup	Speaker Input. This is a digitized (single level) audio input from the modem controller.
15	Speaker Output	SPKROUT	O4 tri-stable with pullup	Speaker Output. This pin reflects the SPKRIN pin when enabled by the AUDIO bit (Modem CSR bit 3). When disabled this pin is tri-stated.
28		nMPDOUT	I Schmitt	Used to control Powerdown mode. Tie to a 180K pull-up and a 0.1uF cap to ground. Tie high when not used. This signal is used in the RC time constant.
29		MFBK1	O4 with pullup	Tie to nMPDOUT through a 5.1M resistor. This signal is used in the RC time constant in conjunction with the nMPDOUT pin.

### DESCRIPTION OF PIN FUNCTIONS

PIN NO.	NAME	SYMBOL	TYPE	DESCRIPTION
16	n16 Bit Modem	nMIS16	I with pullup	Input. When low, it indicates a 16 bit modem, otherwise the modem is 8 bit wide. Used to determine if nIOIS16 (PCMCIA) and nIOCS16 (ISA) need to be asserted for modem cycles. The value of this pin may change from cycle to cycle.
110	EEPROM Clock	EESK	O4	Output. 4 $\mu$ s clock used to shift data in and out of the serial EEPROM.
109	EEPROM Chip Select	EECS	O4	Output. Serial EEPROM chip select.
108	EEPROM Data Out	EEDO/ SDOUT	O4	Output. Connected to the DI input of the serial EEPROM.
107	EEPROM Data In	EEDI	I with pull-down	Input. Connected to the DO output of the serial EEPROM.
103, 105, 106	I/O Base	IOS0-IOS2	I with pullup	Input. External switches can be connected to these lines to select between predefined EEPROM configurations. The values of these pins are readable. These pins are used in ISA mode only. If in PCMCIA mode, these pins are not used.
9	nTransmit LED	nTXLED	OD16	Internal ENDEC - Transmit LED output.
	nTransmit Enable	nTXEN	O162	External ENDEC - Active low Transmit Enable output.
12	nRoard Select LED	nBSELED	OD16	Internal ENDEC - Board Select LED activated by accesses to I/O space (nIORD or nIOWR active with AEN low and valid address decode for ISA, and with nREG low and and "Enable Function" bit in the ECOR register is high for PCMCIA). The pulse is stretched beyond the access duration to make the LED visible.
	Receive Data	RXD	I with pullup	External ENDEC - NRZ receive data input.

### DESCRIPTION OF PIN FUNCTIONS

PIN NO.	NAME	SYMBOL	TYPE	DESCRIPTION
10	nReceive LED	nRXLED	OD16	Internal ENDEC - Receive LED output.
	Receive Clock	RXCLK	I with pullup	External ENDEC - Receive clock input.
11	nLink LED	nLNKLED	OD16	Internal ENDEC - Link LED output.
	Transmit Data	TXD	0162	External ENDEC - Transmit Data output.
111	Enable EEPROM	ENEPP	I with pullup	Input. This active high input enables the EEPROM to be read or written by the SMC91C95. Internally pulled up. Must be connected to ground if no serial EEPROM is used. In PCMCIA mode, a parallel EEPROM is required if no serial EEPROM is used.
115	nEnable 16 Bit	nEN16	I with pullup	Input. When low the SMC91C95 is configured for 16 bit bus operation. If left open the SMC91C95 works in 8 bit bus mode. 16 bit configuration can also be programmed via serial EEPROM (In ISA Mode only) or via software initialization of the CONFIGURATION REGISTER.
101 102	Crystal 1 Crystal 2	XTAL1 XTAL2	Iclk	An external parallel resonance 20 MHz crystal should be connected across these pins. If an external clock source is used, it should be connected to XTAL1 and XTAL2 should be left open.
123 124	AUI Receive	RECP RECN	Diff. Input	AUI receive differential inputs.
2 3	AUI Transmit	TXP/nCOLL TXN/nCRS	Diff. Output  I	Internal ENDEC - (nXENDEC pin open). In this mode TXP and TXN are the AUI transmit differential outputs. They must be externally pulled up using 150 ohm resistors.  External ENDEC - (nXENDEC pin tied low). In this mode the pins are inputs used for collision and carrier sense functions.

### DESCRIPTION OF PIN FUNCTIONS

PIN NO.	NAME	SYMBOL	TYPE	DESCRIPTION
125 126	AUI Collision	COLP COLN	Diff. Input	AUI collision differential inputs. A collision is indicated by a 10 MHz signal at this input pair.
121 122	TPE Receive	TPERXP TPERXN	Diff. Input	10BASE-T receive differential inputs.
4 6	TPE Transmit	TPETXP TPETXN	Diff. Output	Internal ENDEC - 10BASE-T transmit differential outputs.
5 7	TPE Transmit Delayed	TPETXDP TPETXDN	Diff. Output	10BASE-T delayed transmit differential outputs. Used in combination with TPETXP and TPETXN to generate the 10BASE-T transmit pre-distortion.
114	Powerdown  Transmit Clock	PWRDWN  TXCLK	I with pullup	Internal ENDEC - Powerdown input. It keeps the SMC91C95 in powerdown mode when high (open). Must be low for normal operation. Refer to the Powerdown Matrix following for further details.  External ENDEC - Transmit clock input from external ENDEC
99	nWakeup Enable	nWAKEUP-EN	I with pullup	Input. When pulled down, the device will enable Magic Packet (MP) logic and put the Ethernet function in powerdown mode. The pin assertion will override the state of WAKEUP_EN and PWRDN bits in CTR, Pwrdsn bit in ECSR, and Enable Function bit ECOR. When deasserted, the WAKEUP_EN and PWRDN bits will be changed to (0), Pwrdsn to (0), and Enable Function to (1).
100	Wakeup	WAKEUP	O4	Output. Asserted high if nWAKEUP_EN is asserted and a valid Magic Packet (MP) pattern is detected. The pin remains asserted until nWAKEUP_EN is deasserted.
118	Bias Resistor	RBIAS	Analog Input	A 22 kohm 1% resistor should be connected between this pin and analog ground.



### DESCRIPTION OF PIN FUNCTIONS

PIN NO.	NAME	SYMBOL	TYPE	DESCRIPTION
116	nExternal ENDEC	nXENDEC	I with pullup	When tied low the SMC91C95 is configured for external ENDEC. When tied high or left open the SMC91C95 will use its internal encoder/decoder.
13, 25, 37, 51, 62, 71, 80, 89, 104	Power	VDD		+5V power supply pins
1, 117, 120	Analog Power	AVDD		+5V analog power supply pins
19, 30, 44, 58, 67, 75, 84, 94, 112	Ground	VSS		Ground pins
8, 119, 127	Analog Ground	AVSS		Analog ground pins

### BUFFER TYPES

O4	Output buffer with 2mA source and 4mA sink
O162	Output buffer with 2mA source and 16mA sink
O24	Output buffer with 12mA source and 24mA sink
OD16	Open drain buffer with 16mA sink
OD24	Open drain buffer with 24mA sink
I/O24	Bidirectional buffer with 12mA source and 24mA sink
I	Input buffer with TTL levels
IS	Input buffer with Schmitt Trigger Hysteresis
Iclk	Clock input buffer

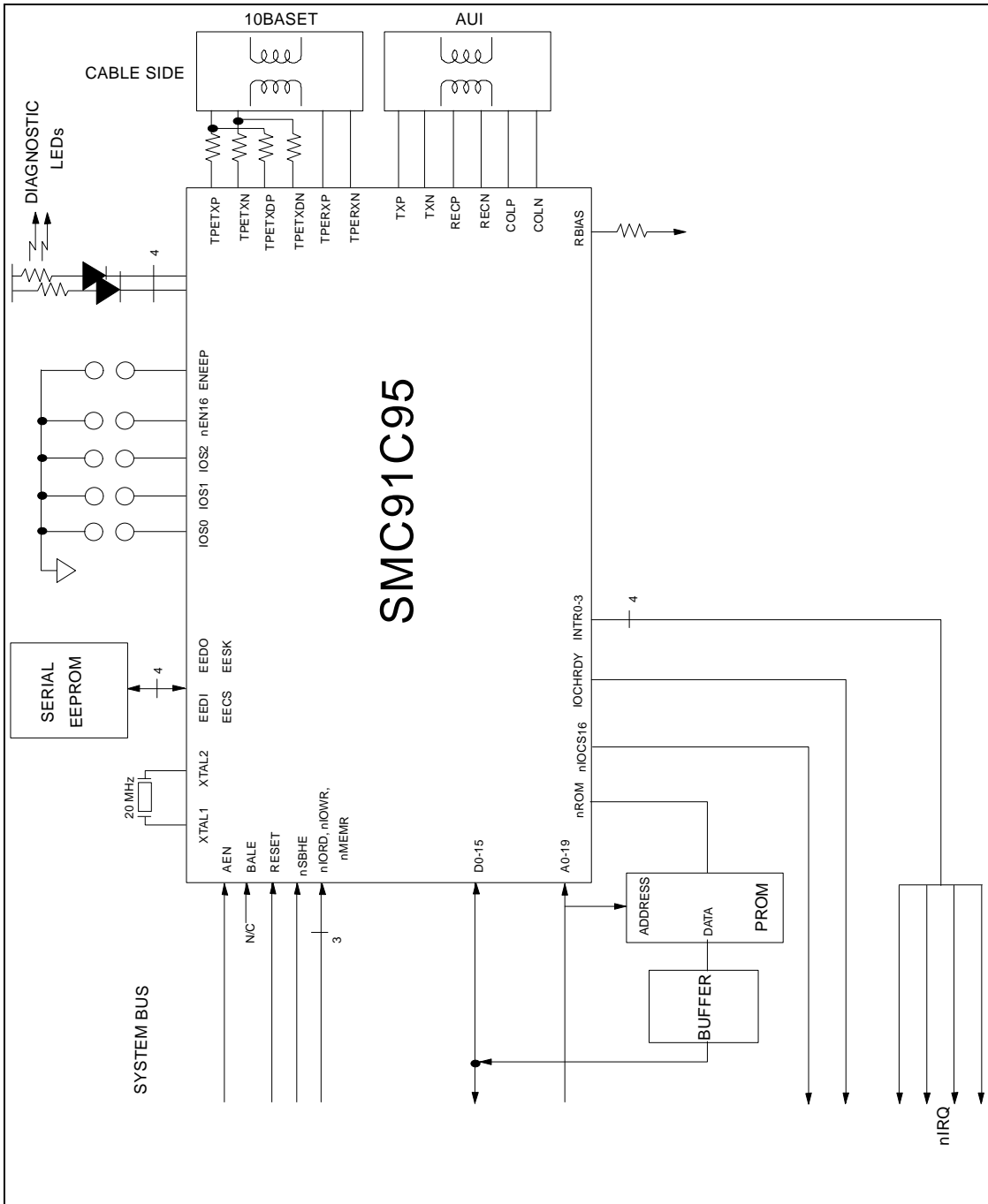


Figure 1 - SMC91C95 System Block Diagram for ISA Bus with Boot PROM

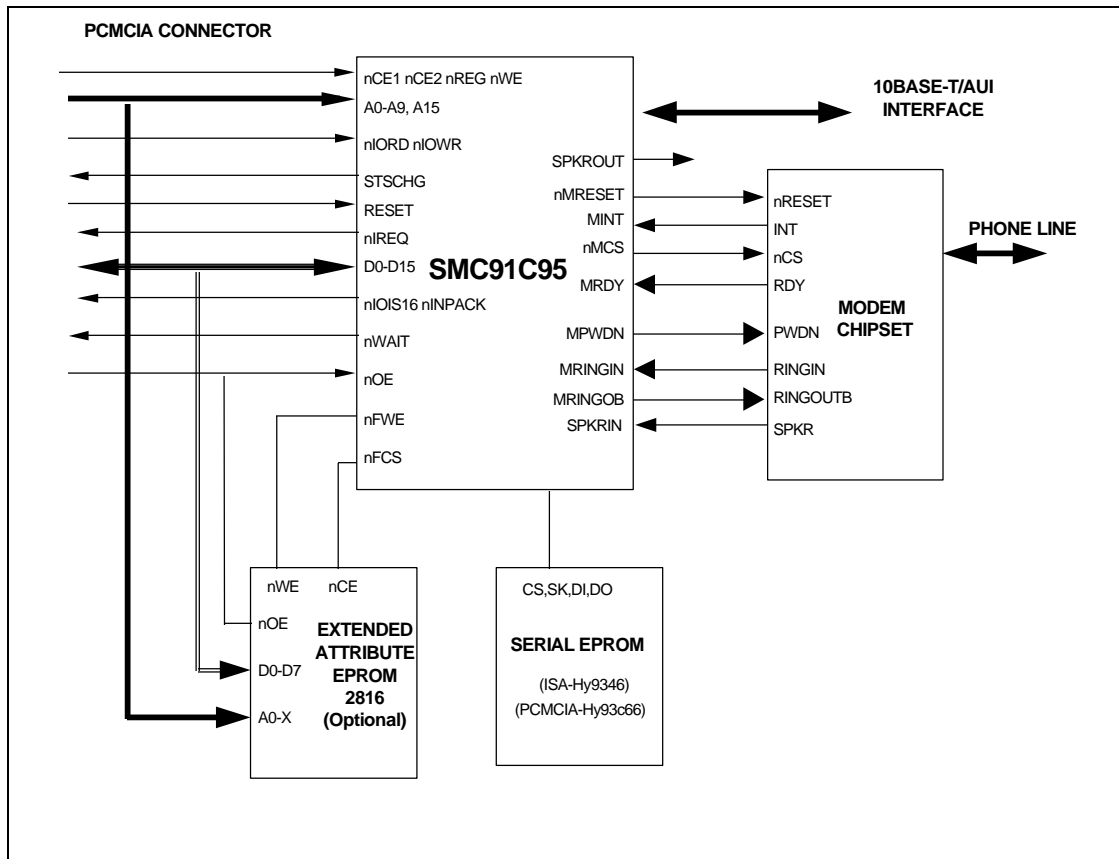
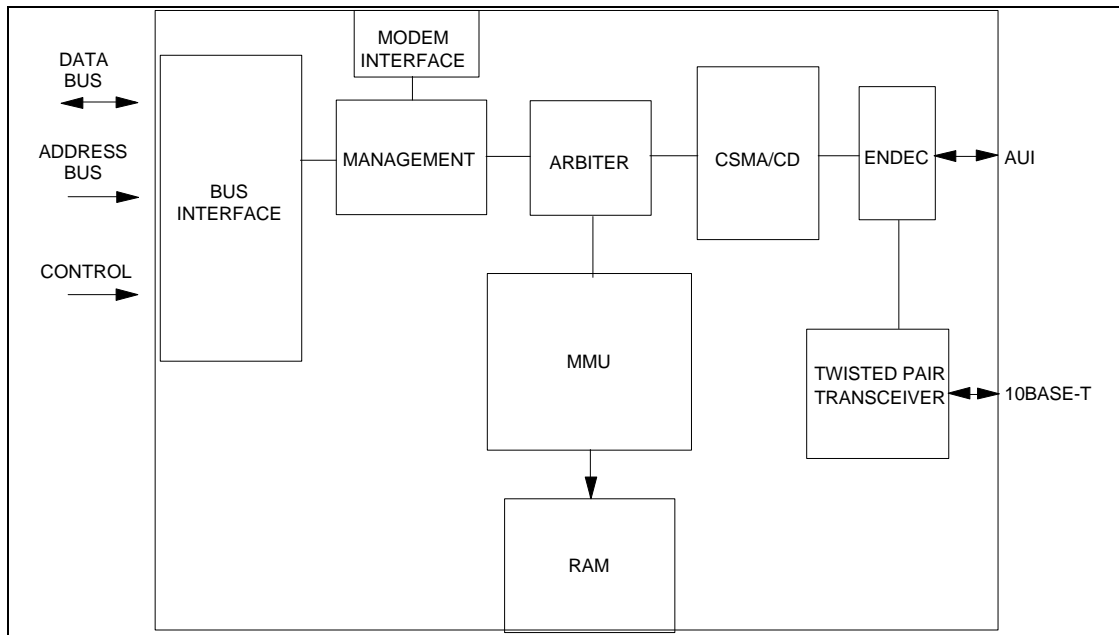


Figure 2 - SMC91C95 System Block Diagram for Dual Function PCMCIA Card



**Figure 3 - SMC91C95 Internal Block Diagram**

## FUNCTIONAL DESCRIPTION

The SMC91C95 consists of an integrated Ethernet controller mapped entirely in I/O space, as well as support for an external Modem controller also mapped in I/O space. In addition, PCMCIA attribute memory space is decoded to interface an external CIS ROM, with configuration registers as per PCMCIA 3.X extensions implemented on-chip in attribute space above the CIS ROM decode area. The PCMCIA Configuration Registers are accessible also in I/O space to allow non-PCMCIA dual function designs.

The Ethernet controller function includes a built-in 6kbyte RAM for packet storage. This RAM buffer is accessed by the CPU through two sequential access regions of 3 kbytes each. The RAM access is internally arbitrated by the SMC91C95 and dynamically allocated between transmit and receive packets using 256 byte pages. The Ethernet controller functionality is identical to the SMC91C94 except where indicated otherwise.

**Table 1 - Bus Transactions in ISA Mode**

	<b>A0</b>	<b>nSBHE</b>	<b>D0-D7</b>	<b>D8-D15</b>
8 BIT MODE (nEN16=1)	0	X	even byte	-
(16 BIT=0)	1	X	odd byte	-
16 BIT MODE	0	0	even byte	odd byte
otherwise	0	1	even byte	-
	1	0	-	odd byte
	1	1	invalid cycle	

**Table 2 - Bus Transactions in PCMCIA Mode**

	<b>A0</b>	<b>nCE1</b>	<b>nCE2</b>	<b>D0-D7</b>	<b>D8-D15</b>
8 BIT MODE ((IOis8=1) + (nEN16=1).(16BIT=0))	0	0	X	even byte	-
	1	0	X	odd byte	-
	X	1	X	NO CYCLE	
16 BIT MODE	0	0	0	even byte	odd byte
otherwise	0	0	1	even byte	-
	1	0	1	odd byte	
	X	1	0	-	odd byte
	X	1	1	NO CYCLE	

16BIT = CONFIGURATION REGISTER bit 7

IOis8 = ECSR register bit 5

nEN16 = pin nEN16

For the modem function, the transactions are similar except that the modem is assumed to be 8 bit wide unless (IOis8=0) and (nMIS16=0).

NOTE: The IOis8 value should be identical in MCSR and ECSR if both functions are enabled.

8 Bit mode = (IOis8=1)+(nMIS16=1)

**Table 3 - SMC91C95 Address Spaces**

	<b>SIGNALS USED</b>	<b>ISA</b>	<b>PCMCIA</b>	<b>ON-CHIP</b>	<b>DEPTH</b>	<b>WIDTH</b>
PCMCIA Attribute Memory	nOE nWE	N	Y	N (external ROM)	Up to 32k locations, only even bytes are usable	8 bits on even addresses
PCMCIA Configuration Registers	nOE nWE	N	Y	Y	64 locations, only even bytes are usable	8 bits
Modem I/O Space	nIORD nIOWR	Y	Y	N	8 locations	8 bit
Ethernet I/O Space (1)	nIORD nIOWR	Y	Y	Y	16 locations	8 or 16 bits

(1) This space also allows access to the PCMCIA Configuration Register through Banks 4 and 5 (SMC91C95 only).

Except for the bus interface, the functional behavior of the SMC91C95 after initial configuration is identical for ISA and PCMCIA modes.

The SMC91C95 includes an arbitrated shared memory of 6 kbytes accessed by the CPU. The MMU unit allocates RAM memory to be used for transmit and receive packets, using 256 byte pages.

The arbitration is transparent to the CPU in every sense. There is no speed penalty for ISA type of machines due to arbitration. There are no restrictions on what locations can be accessed at any time. RAM accesses as well as MMU requests are arbitrated.

The RAM is accessed by mapping it into I/O space for sequential access. Except for the RAM accesses and the MMU request/release commands, I/O accesses are not arbitrated.

The I/O space is 16 bits wide. Provisions for 8 bit systems are handled by the bus interface.

In the system memory space, up to 64 kbytes are decoded by the SMC91C95 as expansion ROM. The ROM expansion area is 8 bits wide.

Device configuration is done using a serial EEPROM, with support for modifications to the EEPROM at installation time. A Flash ROM is supported for PCMCIA attribute memory.

The CSMA/CD core implements the 802.3 MAC layer protocol. It has two independent interfaces, the data path and the control path. Both interfaces are 16 bits wide.

The control path provides a set of registers used to configure and control the block. These registers are accessible by the CPU through the SMC91C95's I/O space. The data path is of sequential access nature and typically works in one direction at any given time. An internal DMA type of interface connects the data path to the device RAM through the arbiter and MMU.

The CSMA/CD data path interface is not accessible to the host CPU.

The internal DMA interface can arbitrate for RAM access and request memory from the MMU when necessary.

An encoder/decoder block interfaces the CSMA/CD block on the serial side. The encoder will do the Manchester encoding of the transmit data at 10 Mbps, while the decoder will recover the receive clock and decode received data.

Carrier and Collision detection signals are also handled by this block and relayed to the CSMA/CD block.

The encoder/decoder block can interface the network through the AUI interface pairs or it can be programmed to use the internal 10BASE-T transceiver and connect to a twisted pair network.

The twisted pair interface takes care of the medium dependent signaling for 10BASE-T type of networks. It is responsible for line interface (with external pulse transformers and pre-distortion resistors), collision detection as well as the link integrity test function.

The SMC91C95 provides a 16-bit data path into RAM. The RAM is private and can only be accessed by the system via the arbiter. RAM memory is managed by the MMU. Byte and word accesses to the RAM are supported.

If the system to SRAM bandwidth is insufficient, the SMC91C95 will automatically use its IOCHRDY line for flow control. However, for ISA buses, IOCHRDY will never be negated.

### **BUFFER MEMORY**

The logical addresses for RAM access are divided into TX area and RX area. Each one of the areas is 1.536 kbytes long and accommodates one maximum size Ethernet packet.

The TX area is seen by the CPU as a window through which packets can be loaded into memory before queuing them in the TX FIFO of packets. The TX area can also be used to examine the transmit completion status after packet transmission.

The RX area is associated to the output of the RX FIFO of packets, and is used to access receive packet data and status information.

The logical address is specified by loading the address pointer register. The pointer can automatically increment on accesses.

All accesses to the RAM are done via I/O space. A bit in the address pointer also specifies if the address refers to the TX or RX area.

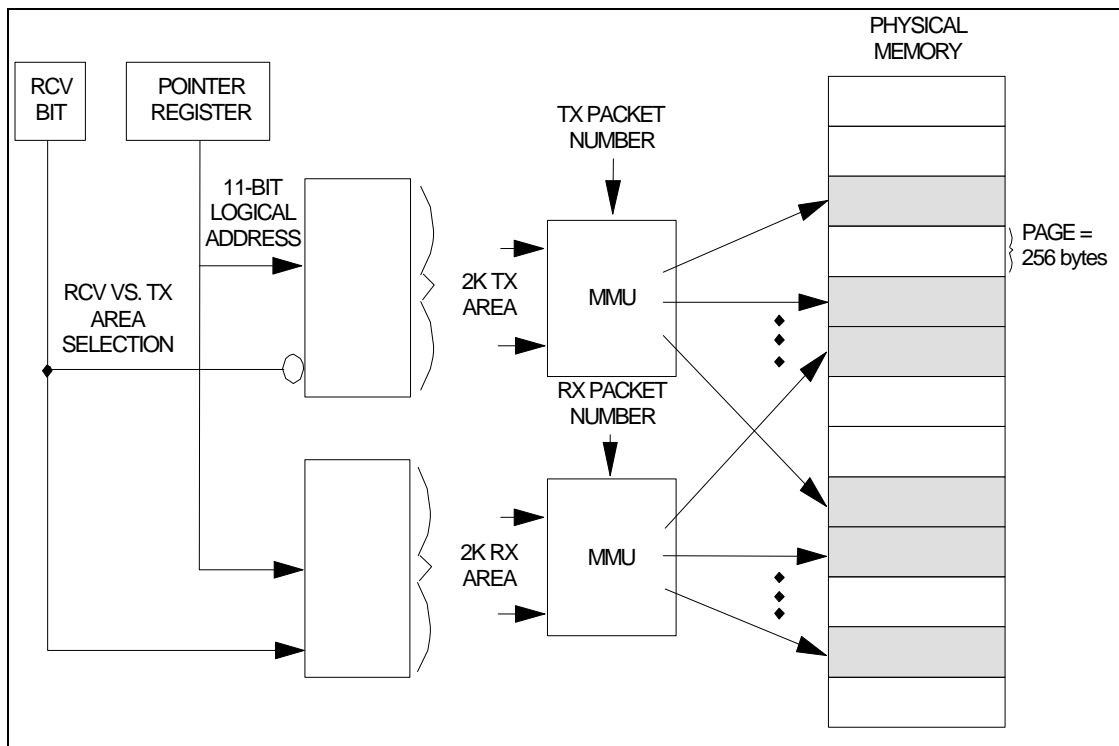
In the TX area, the host CPU has access to the next transmit packet being prepared for transmission. In the RX area, it has access to the first receive packet not processed by the CPU yet.

The FIFO of packets, existing beneath the TX and RX areas, is managed by the MMU. The MMU dynamically allocates and releases memory to be used by the transmit and receive functions.

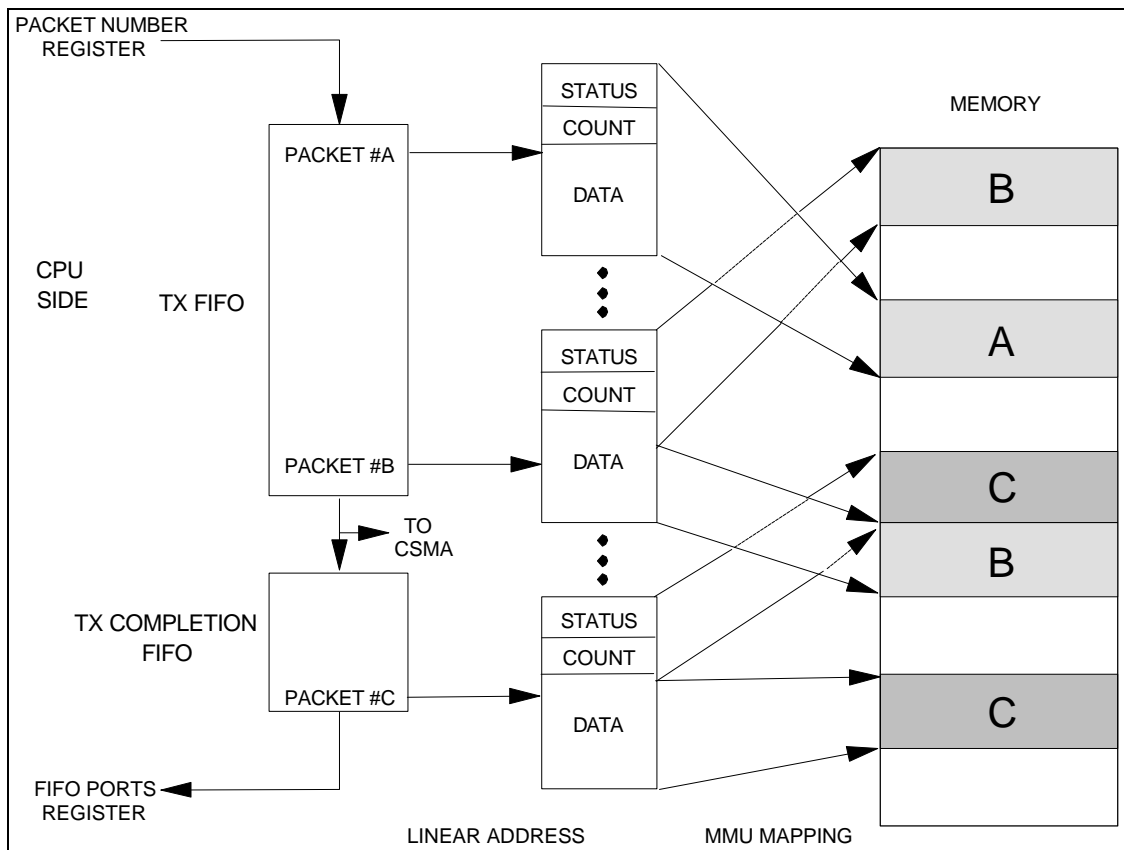
The MMU related parameters for the SMC91C95 are:

RAM size	6 kbytes (internal)
Max. number of packets	24
Max. pages per packet	6
Max. number of pages	24
Page size	256 bytes

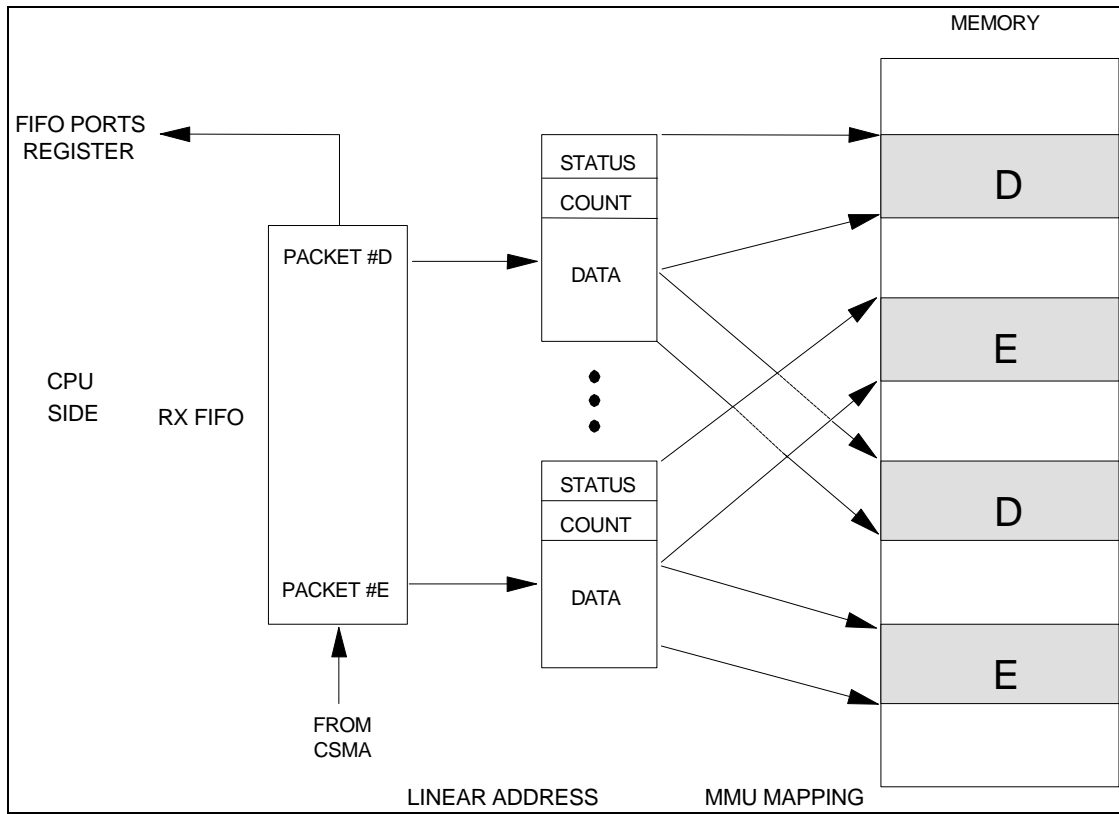




**FIGURE 4 - MAPPING AND PAGING VS. RECEIVE AND TX AREA**



**FIGURE 5 - TRANSMIT QUEUES AND MAPPING**



**FIGURE 6 - RECEIVE QUEUE AND MAPPING**

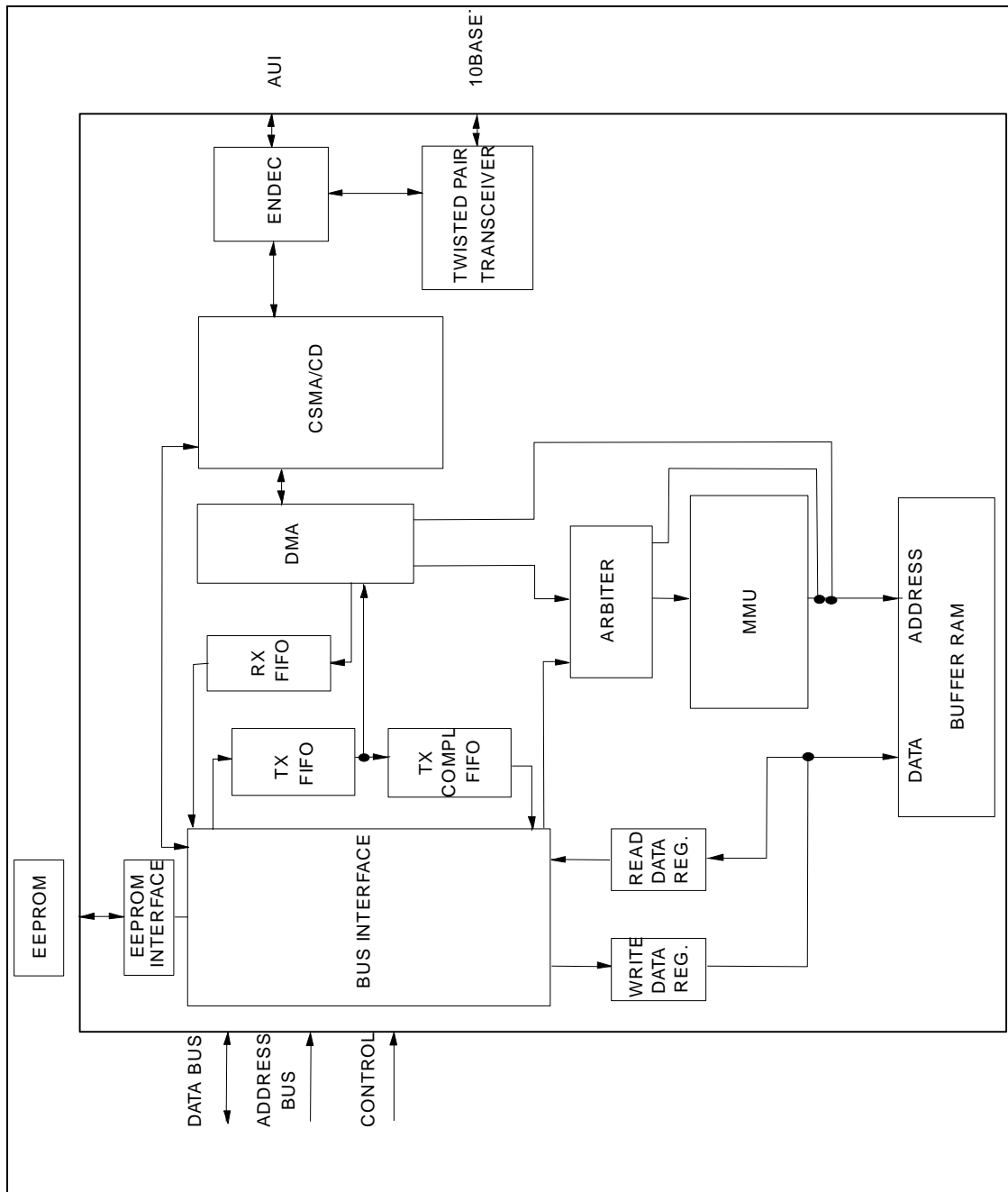
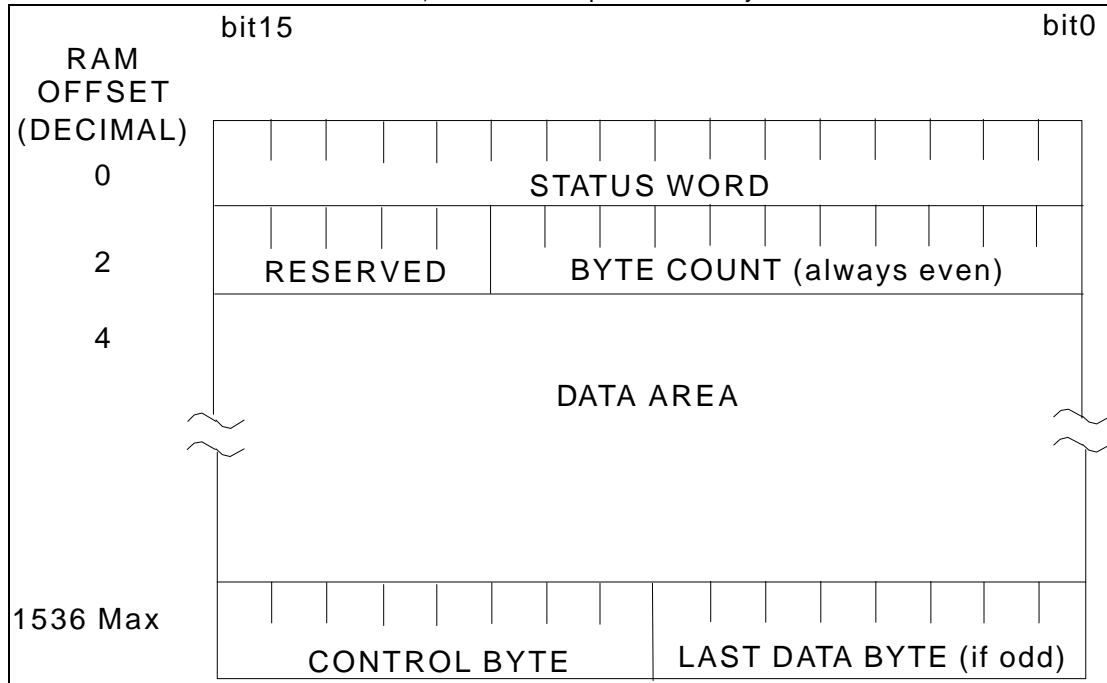


FIGURE 7 - SMC91C95 INTERNAL BLOCK DIAGRAM WITH DATA PATH

**PACKET FORMAT IN BUFFER MEMORY**

The packet format in memory is similar for the TRANSMIT and RECEIVE areas. The first word is reserved for the status word, the next

word is used to specify the total number of bytes, and that in turn is followed by the data area. The data area holds the packet itself, and its length is determined by the byte count. The packet memory format is word oriented.



**FIGURE 8 - DATA PACKET FORMAT**

	<b>TRANSMIT PACKET</b>	<b>RECEIVE PACKET</b>
STATUS WORD	Written by CSMA upon transmit completion (see Status Register).	Written by CSMA upon receive completion (see RX Frame Status Word).
BYTE COUNT	Written by CPU.	Written by CSMA.
DATA AREA	Written by CPU.	Written by CSMA.
CONTROL BYTE	Written by CPU to control ODD/EVEN data bytes.	Written by CSMA. Also has ODD/EVEN bit.

BYTE COUNT - Divided by two, it defines the total number of words including the STATUS WORD, the BYTE COUNT WORD, the DATA AREA and the CONTROL BYTE.

The receive byte count always appears as even; the ODDFRM bit of the receive status word indicates if the low byte of the last word is relevant.

The transmit byte count least significant bit will be assumed 0 by the controller regardless of the value written in memory.

DATA AREA - The data area starts at offset 4 of the packet structure and can extend up to 1536 bytes.

The data area contains six bytes of DESTINATION ADDRESS followed by six bytes of SOURCE ADDRESS, followed by a variable-length number of bytes. On transmit, all bytes are provided by the CPU, including the source address. The SMC91C95 does not insert its own source address. On receive, all bytes are provided by the CSMA side.

The 802.3 Frame Length word (Frame Type in Ethernet) is not interpreted by the SMC91C95. It is treated transparently as data both for transmit and receive operations.

CONTROL BYTE - The CONTROL BYTE always resides on the high byte of the last word. For transmit packets the CONTROL BYTE is written by the CPU as:

X	X	ODD	CRC	0	0	0	0
---	---	-----	-----	---	---	---	---

ODD - If set, indicates an odd number of bytes, with the last byte being right before the CONTROL BYTE. If clear, the number of data bytes is even and the byte before the CONTROL BYTE is not transmitted.

CRC - When set, CRC will be appended to the frame. This bit has only meaning if the NOCRC bit in the TCR is set.

For receive packets the CONTROL BYTE is written by the controller as:

0	1	ODD	0	0	0	0	0
---	---	-----	---	---	---	---	---

ODD - If set, indicates an odd number of bytes, with the last byte being right before the CONTROL BYTE. If clear, the number of data bytes is even

and the byte before the CONTROL BYTE should be ignored.

## RECEIVE FRAME STATUS WORD

This word is written at the beginning of each receive frame in memory. It is not available as a register.

HIGH BYTE	ALGN ERR	BROD CAST	BAD CRC	ODD FRM	TOOLN G	TOO SHORT		
LOW BYTE	HASH VALUE						MULT CAST	
	5	4	3	2	1	0		

ALGNERR - Frame had alignment error.

BROADCAST - Receive frame was broadcast.

BADCRC - Frame had CRC error.

ODDFRM - This bit when set indicates that the received frame had an odd number of bytes.

TOOLNG - The received frame is longer than 802.3 maximum size (1518 bytes on the cable).

TOOSHORT - The received frame is shorter than 802.3 minimum size (64 bytes on the cable).

HASH VALUE - Provides the hash value used to index the Multicast Registers. Can be used by receive routines to speed up the group address search. The hash value consists of the six most significant bits of the CRC calculated on the Destination Address, and maps into the 64 bit multicast table. Bits 5,4,3 of the hash value select a byte of the multicast table, while bits 2,1,0 determine the bit within the byte selected.

Examples of the address mapping:

ADDRESS	HASH VALUE 5-0	MULTICAST TABLE BIT
ED 00 00 00 00 00	000 000	MT-0 bit 0
0D 00 00 00 00 00	010 000	MT-2 bit 0
01 00 00 00 00 00	100 111	MT-4 bit 7
2F 00 00 00 00 00	111 111	MT-7 bit 7

MULTICAST - Receive frame was multicast. If hash value corresponds to a multicast table bit that is set, and the address was a multicast, the

packet will pass address filtering regardless of other filtering criteria.

## INTERRUPT STRUCTURE

The SMC91C95 merges two main interrupt sources into a single interrupt line. One source is the Ethernet interrupt and the other is the modem interrupt. The Ethernet interrupt is conceptually equivalent to the SMC91C92 interrupt line; it is the OR function of all enabled interrupts within the Ethernet core. The modem interrupt is an input pin (MINT). The enabling, reporting and clearing of these two sources is controlled by the ECOR, ECSR, MCOR and MCSR registers. The interrupt

structure is similar for ISA and PCMCIA modes with the following exceptions:

- a) PCMCIA uses a single interrupt pin (nIREQ) while ISA can use any of four INTR0-INTR3 pins.
- b) PCMCIA defaults to Ethernet interrupts disabled (Enable IREQ=0 in ECOR), while ISA defaults to Ethernet interrupts enabled.

The following table summarizes the interrupt merging:

**Table 4 - SMC91C95 Interrupt Merging**

FUNCTION	PCMCIA MODE	ISA MODE
Interrupt Output	nIREQ when either function is enabled. When both functions are disabled the nIREQ is used to report the latched value of MRDY.	INTR0-INTR3
Ethernet Interrupt Source	OR function of all interrupt bits specified in the Interrupt Status Register ANDed with their respective Enable bits.	
Modem Interrupt Source	MINT input pin.	
Ethernet Interrupt Enable	Enable IREQ bit in ECOR. This bit defaults low in PCMCIA mode.	Enable IREQ bit in ECOR. This bit defaults high in ISA mode.
Modem Interrupt Enable	Enable IREQ bit in MCOR. This bit defaults low.	
Ethernet Interrupt Status Bit	Intr bit in ECSR.	
Modem Interrupt Status Bit	Intr bit in MCSR.	



**RESET LOGIC**

The pins and bits involved in the different reset mechanisms are:

RESET - Input Pin

POR - Internal circuit activated by Power On

nMRESET - Output pin to reset modem  
 SRESET - Soft Reset bit in ECOR and MCOR,

SOFT RST - one SRESET bit for each function. EPH Soft Reset bit in RCR

**Table 5 - Reset Functions**

	<b>RESETS THE FOLLOWING FUNCTIONS</b>	<b>ACTIVATES</b>	<b>SAMPLES ISA VS. PCMCIA MODE</b>	<b>TRIGGERS EEPROM READ</b>
RESET Pin	All internal logic	nMRESET	Yes	Yes
POR Circuit	Generates an internal reset of at least 15 msec, with same effect as the RESET pin			
ECOR Register SRESET Bit	The Ethernet controller function and Ethernet PCMCIA Configuration Registers except for the bit itself		No	No
MCOR Register SRESET Bit	The Modem controller function and Modem PCMCIA Configuration Registers except for the bit itself		No	No
SOFT RST	The Ethernet Controller itself except for the IA, CONF, and BASE registers. It does not reset any PCMCIA Configuration Register.		No	No

## POWERDOWN LOGIC

The pins and bits involved in powerdown are:

1. PWRDWN/TXCLK - Input pin valid when XENDEC is not zero (0).
2. Pwrdown bits in ECSR and MCSR registers - One bit for each function
3. Enable Function bits in ECOR and MCOR registers - One bit for each function
4. PWRDN - Ethernet powerdown bit in Control Register.
5. WAKUP\_EN - Magic packet receive enable bit in the Control Register
6. nWAKEUP - Pin for Magic Packet receive + Ethernet function powerdown

## SMC91C95 Powerdown States:

- A) The SMC91C95 is Off and no Clock is running
- B1) The SMC91C95 of Off with clock running (No Active LAN or Host Data Transfer) TBD Current Reduction with No Link Pulses for LAN access
- B2) The SMC91C95 of Off with clock running (No Active LAN or Host Data Transfer) TBD Current Reduction with Link active
- C) The SMC91C95 is completely powered up (With Active LAN or Host Data transfer) 80MA Max, 40MA typ.

**Table 6 - Powerdown Functions**

	<b>POWERDOWN ENTERED</b>	<b>POWERDOWN EXITED</b>	<b>POWERS DOWN:</b>	<b>DOES NOT POWER DOWN</b>
(A) PWRDWN/ TXCLK Pin	When pin is high and reset is inactive	When pin goes low	Ethernet Function including Link circuitry; Modem Function	
(B1) ECOR and ECSR Powerdown Bits	Pwrdown bit in ECSR is high or Enable Function bit in ECOR is low.	Otherwise, or when function is reset in ISA mode	Ethernet Function plus any analog logic including link logic	Modem function, Attribute Memory and PCMCIA Configuration Registers access
(B2) Power State MCOR and MCSR Bits	Pwrdown bit in MCSR is high or Enable Function bit in MCOR is low.	Otherwise; or Ringing from modem chipset	Modem	Ethernet function, Attribute Memory and PCMCIA Configuration Registers access
(B2) Power State WAKUP_EN (Control Register)	Pwrdown bit in ECSR is high or Enable Function bit in ECOR is low or PWRDN bit in Control Register is high	Magic Packet received (WAKUP in EPH status)	Ethernet MAC logic (Link is enabled)	Modem Function, Attribute memory and PCMCIA configuration Registers access, Link Logic

**Table 6 - Powerdown Functions**

	<b>POWERDOWN ENTERED</b>	<b>POWERDOWN EXITED</b>	<b>POWERS DOWN:</b>	<b>DOES NOT POWER DOWN</b>
(B2) Power State nWAKEUP (Pin)	When pin is low and reset is inactive	When pin goes high	Ethernet Function (Link logic enabled)	Modem Function, Attribute memory and PCMCIA configuration Registers access, Link Logic
(B2) Power State PWRDN bit in Control Register	When bit is set	Write access to I/O space or reset	Ethernet Function.	Modem function, Attribute Memory and PCMCIA Configuration Registers access

**PCMCIA Attribute Memory: Address 0-7FFEh**

The Attribute Memory is implemented using a combination of internal SRAM and external parallel EEPROM, ROM or Flash ROM. The internal SRAM is initialized during power up using the serial EEPROM. This serial EEPROM in PCMCIA mode is used for the CIS (Card Information Structure). If no serial EEPROM is used, the parallel EEPROM must be used. Internal CIS RAM address space is replaced by part of the external parallel EEPROM in this case.

In ISA mode, the serial EEPROM is used for configuration and IEEE Node address making it software compatible to the SMC9000 family of Ethernet LAN Controllers. In ISA mode, the EEPROM is optional requiring a minimum size of 64 X 16 bit word addresses. In PCMCIA mode, the minimum serial EEPROM (if used) size can be 64 X 16 up to 256 X 16.

This combination of internal and external attribute memory allows the designer to reduce costs by using a serial EEPROM device when using up to 512 bytes of "Card Information" and, if additional memory is needed, an external EEPROM may be used. When the SMC91C95 goes into powerdown

mode, the internal CIS data buffer RAM is re-initialized.

The SMC91C95 generates the appropriate control lines (nFCS and nFWE) to read and write the Attribute memory, and it tri-states the data bus during external Attribute Memory accesses. Note that the parallel EEPROM is selected for the first 512 byte CIS information also in the absence of the serial EEPROM in PCMCIA mode. Only even locations are used.

**PCMCIA Configuration Registers: Address 8000-803Eh**

The PCMCIA Configuration Registers are stored inside the SMC91C95 above the external Attribute Memory address space. These registers are used to configure and control the PCMCIA related functionality of the Ethernet and Modem functions. These registers are eight bits wide and reside on even locations. The SMC91C95 ignores odd accesses to this area (ignore writes, do not drive the bus on reads). This address offset has been changed from prior SMC9000 PCMCIA designs to allow a larger address range for other attribute memory data. This data could be a larger card information structure or a XIP data image.

### Internal VS External Attribute Memory Map

The Internal VS External EPROM attribute memory decodes are shown below. This allows the designer to not require an external EPROM device if the single or multi-function PCMCIA card needs less than 512 bytes of configuration information. As can be seen in the map, if 512 bytes of CIS or less is required, the nFCS and nFWE output pins of the

SMC91C95 need not be used (if serial EEPROM is being used). Internal to the SMC91C95, the memory addressing logic will allow byte or word on odd byte address access (A0=1), the SMC91C95 will generate an arbitrary value of zero (0) since the PCMCIA specification states that the high byte of a word access in attribute memory is a don't care. This allows backward compatibility to 8 bit hosts.

**Table 7 - Attribute Memory Address Using Serial EEPROM**

ATTRIBUTE MEMORY ADDRESS	EXTERNAL EPROM STORE	INTERNAL SRAM STORE (512 BYTES)	CONFIGURATION REGISTERS
0 - 3FEh		X	
400h-7FFEh	X		
8000h - 803Eh			X

**Table 8 - Attribute Memory Address without Serial EEPROM**

ATTRIBUTE MEMORY ADDRESS	EXTERNAL EPROM STORE	INTERNAL SRAM STORE (512 BYTES)	CONFIGURATION REGISTERS
0 - 7FFEh	X		
8000h - 803Eh			X

**I/O SPACE  
(ISA and PCMCIA Mode)**

In ISA mode, the base I/O space is determined by the IOS0-IOS2 inputs and the EEPROM contents. A4-A15 are compared against the base I/O address for I/O space accesses.

To limit the I/O space requirements to 16 locations, the registers are assigned to different banks. The last word of the I/O area is shared by all banks and can be used to change the bank in use.

In PCMCIA mode nREG (along with nIORD or nIOWR) defines an I/O access regardless of the A4-A15 value.

Registers are described using the following convention:

	OFFSET		NAME		TYPE		SYMBOL	
HIGH BYTE	bit 15	bit 14	bit 13	bit 12	bit 11	bit 10	bit 9	bit 8
	X	X	X	X	X	X	X	X
LOW BYTE	bit 7	bit 6	bit 5	bit 4	bit 3	bit 2	bit 1	bit 0
	X	X	X	X	X	X	X	X

OFFSET - Defines the address offset within the IOBASE where the register can be accessed at, provided the bank select has the appropriate value.

Some registers (like the Interrupt Ack., or like Interrupt Mask) are functionally described as two eight bit registers; in that case the offset of each one is independently specified.

The offset specifies the address of the even byte (bits 0-7) or the address of the complete word.

Regardless of the functional description, when the SMC91C95 is in 16 bit mode, all registers can be accessed as words or bytes.

The odd byte can be accessed using address (offset + 1).

The default bit values upon hard reset are highlighted below each register.

**Table 9 - Internal I/O Space Mapping**

	<b>BANK0</b>	<b>BANK1</b>	<b>BANK2</b>	<b>BANK3</b>	<b>BANK4</b>	<b>BANK5</b>
0	TCR	CONFIG	MMU COMMAND	MT0-MT1	ECOR (low byte) ECSR (high byte)	MCOR (low byte) MCSR (high byte)
2	EPH STATUS	BASE	PNR ARR	MT2-MT3		PRR (low byte)
4	RCR	IA0-IA1	FIFO PORTS	MT4-MT5	EBASE0 (high byte)	IOEIR (low byte) MBASE0 (high byte)
6	COUNTER	IA2-IA3	POINTER	MT6-MT7	EBASE1 (low byte)	MBASE1 (low byte)
8	MIR	IA4-IA5	DATA	MGMT		Msize (high byte)
A	MCR	GENERAL PURPOSE	DATA	REVISION		
C	RESERVED (0)	CONTROL	INTERRUPT	ERCV		
E	BANK SELECT	BANK SELECT	BANK SELECT	BANK SELECT		

**BANK SELECT REGISTER**

OFFSET E	NAME BANK SELECT REGISTER				TYPE READ/WRITE		SYMBOL BSR	
HIGH BYTE	0	0	1	1	0	0	1	1
	0	0	1	1	0	0	1	1
LOW BYTE						BS2	BS1	BS0
	X	X	X	X	X	0	0	0

BS2, BS1, BS0 - Determine the bank presently in use.

The BANK SELECT REGISTER is always accessible except in PCMCIA powerdown mode and is used to select the register bank in use.

The upper byte always reads as 33h and can be used to help determine the I/O location of the SMC91C95.

The BANK SELECT REGISTER is always accessible regardless of the value of BS0-BS2.

The SMC91C95 implements only four banks in ISA mode, therefore, accesses to non-existing banks (BS2=1) are ignored. All six banks are accessible in PCMCIA mode.

BS2	BS1	BS0	BANK#
0	0	0	0
0	0	1	1
0	1	0	2
0	1	1	3
1	X	X	None

## I/O SPACE - BANK0

OFFSET	NAME	TYPE	SYMBOL
0	TRANSMIT CONTROL REGISTER	READ/WRITE	TCR

This register holds bits programmed by the CPU to control some of the protocol transmit options.

HIGH BYTE	FDSE		EPH LOOP	STP SQET	FDUPL X	MON_ CSN		NOCRC
	0	X	0	0	0	0	X	0
LOW BYTE	PAD_ EN					FORCO L	LOOP	TXENA
	0	X	X	X	X	0	0	0

**FDSE** - Full Duplex Switched Ethernet. When set, the SMC91C95 is configured for Full Duplex Switched Ethernet, it defaults clear to normal CSMA/CD protocol. In FDSE mode the SMC91C95 transmit and receive processes are fully independent, namely no deferral and no collision detection are implemented. When FDSE is set, FDUPLX is internally assumed high and MON\_CSN is assumed low regardless of their actual values.

**EPH\_LOOP** - Internal loopback at the EPH block. Does not exercise the encoder decoder. Serial data is looped back when set. Defaults low.

**NOTE:** After exiting the loopback test, an SRESET in the ECOR or the SOFT\_RST in the RCR must be set before returning to normal operation.

**STP\_SQET** - Stop transmission on SQET error. If set, stops and disables transmitter on SQE test error. Does not stop on SQET error and transmits next frame if clear. Defaults low.

**FDUPLX** - When set, it enables full duplex operation. This will cause frames to be received if they pass the address filter regardless of the source for the frame. When clear the node will not receive a frame sourced by itself. Clearing this bit

(Normal Operation) in promiscuous mode allows it to not receive its own packet.

**MON\_CSN** - When set, the SMC91C95 monitors carrier while transmitting. It must see its own carrier by the end of the preamble. If it is not seen, or if carrier is lost during transmission, the transmitter aborts the frame without CRC and turns itself off. When this bit is clear the transmitter ignores its own carrier. Defaults low.

**NOCRC** - Does not append CRC to transmitted frames when set; allows software to insert the desired CRC. Defaults to zero, namely CRC inserted.

**PAD\_EN** - When set, the SMC91C95 will pad transmit frames shorter than 64 bytes with 00. Does not pad frames when reset.

**FORCOL** - When set, the transmitter will force a collision by deliberately not deferring. After the collision, this bit is automatically reset. This bit defaults low to normal operation.

**NOTE:** The LATCOL bit in EPHSR, setting up as a result of FORCOL, will reset TXENA to 0. In order to force another collision, TXENA must be set to 1 again.



LOOP - Local Loopback. When set, transmit frames are internally looped to the receiver after the encoder/decoder. Collision and Carrier Sense are ignored. No data is sent out. Defaults low to normal mode.

TXENA - Transmit enabled when set. Transmit is disabled if clear. When the bit is cleared, the SMC91C95 will complete the current transmission before stopping. When stopping due to an error, this bit is automatically cleared.

AUI	FDSE	FDUPLX	EPH_LOOP	LOOP	LOOPS AT	TRANSMITS TO NETWORK
X	X	X	1	X	EPH Block	No
X	X	1	0	1	ENDEC	No
1	0	1	0	0	Cable	Yes
0	0	1	0	0	10BASE-T Driver	Yes
X	0	0	0	0	Normal CSMA/CD - No Loopback	Yes
X	1	1	0	0	Full Duplex Switched Ethernet - No loopback and no SQET	Yes

## I/O SPACE - BANK0

OFFSET	NAME	TYPE	SYMBOL
2	EPH STATUS REGISTER	READ ONLY	EPHSR

This register stores the status of the last transmitted frame. This register value, upon individual transmit packet completion, is stored as the first word in the memory area allocated to the packet. Packet interrupt processing should use the copy in memory as the register itself will be updated by subsequent packet transmissions. The register can be used for real time values (like TXENA and LINK OK). If TXENA is cleared the register holds the last packet completion status.

HIGH BYTE	TX UNRN	LINK_ OK	RX_ OVRN	CTR_ ROL	EXC_ DEF	LOST CARR	LATCOL	WAKEU P
	0	0	0	0	0	0	0	0
LOW BYTE	TX DEFR	LTX BRD	SQET	16COL	LTX MULT	MUL COL	SNGL COL	TX_SU C
	0	0	0	0	0	0	0	0

**TXUNRN** - Transmit Underrun. Set if underrun occurs, it also clears TXENA bit in TCR. Cleared by setting TXENA high. This bit may only be set if early TX is being used.

**LINK\_OK** - State of the 10BASE-T Link Integrity Test. A transition on the value of this bit generates an interrupt when the LE ENABLE bit in the Control Register is set.

**RX\_OVRN** - Upon FIFO overrun, the receiver asserts this bit and clears the FIFO. The receiver stays enabled. After a valid preamble has been detected on a subsequent frame, RX\_OVRN is deasserted. The RX\_OVRN INT bit in the Interrupt Status Register will also be set and stay set until cleared by the CPU. Note that receive overruns could occur only if receive memory allocations fail.

**CTR\_ROL** - Counter Roll over. When set one or more 4 bit counters have reached maximum count (15). Cleared by reading the ECR register.

**EXC\_DEF** - Excessive deferral. When set last/current transmit was deferred for more than 1518 \* 2 byte times. Cleared at the end of every packet sent.

**LOST\_CARR** - Lost carrier sense. When set indicates that Carrier Sense was not present at end of preamble. Valid only if MON\_CSN is enabled. This condition causes TXENA bit in TCR to be reset. Cleared by setting TXENA bit in TCR.

**LATCOL** - Late collision detected on last transmit frame. If set a late collision was detected (later than 64 byte times into the frame). When detected the transmitter jams and turns itself off clearing the TXENA bit in TCR. Cleared by setting TXENA in TCR.

**WAKEUP** - When this bit is set, it indicates that a receive packet was received that had the "Magic Packet" (MP) signature of the node's own IP address repetitions in it. This bit indicates a valid

detection for magic packet - enabled by nWAKEUPEN pin (92 QFP) or WAKEUP\_EN in CTR.

NOTE: If the MP mode is activated using the nWAKEUPEN pin, the pin must be deasserted to exit the mode.

TX\_DEFR - Transmit Deferred. When set, carrier was detected during the first 6.4  $\mu$ sec of the inter frame gap. Cleared at the end of every packet sent.

LTX\_BRD - Last transmit frame was a broadcast. Set if frame was broadcast. Cleared at the start of every transmit frame.

SQET - Signal Quality Error Test. The transmitter opens a 1.6  $\mu$ sec window 0.8  $\mu$ sec after transmission is completed and the receiver returns inactive. During this window, the transmitter expects to see the SQET signal from the transceiver. The absence of this signal is a 'Signal Quality Error' and is reported in this status bit. Transmission stops and EPH INT is set if STP\_SQET in the TCR is also set when SQET is set. This bit is cleared by setting TXENA high.

16COL- 16 collisions reached. Set when 16 collisions are detected for a transmit frame.

TXENA bit in TCR is reset. Cleared when TXENA is set high.

LTX\_MULT - Last transmit frame was a multicast. Set if frame was a multicast. Cleared at the start of every transmit frame.

MULCOL - Multiple collision detected for the last transmit frame. Set when more than one collision was experienced. Cleared when TX\_SUC is high at the end of the packet being sent.

SNGLCOL - Single collision detected for the last transmit frame. Set when a collision is detected. Cleared when TX\_SUC is high at the end of the packet being sent.

TX\_SUC - Last transmit was successful. Set if transmit completes without a fatal error. This bit is cleared by the start of a new frame transmission or when TXENA is set high.

Fatal errors are:

- 16 collisions
- SQET fail and STP\_SQET = 1
- FIFO Underrun
- Carrier lost and MON\_CSN = 1
- Late collision

**I/O SPACE - BANK0**

<b>OFFSET</b>	<b>NAME</b>	<b>TYPE</b>	<b>SYMBOL</b>
4	<b>RECEIVE CONTROL REGISTER</b>	<b>READ/WRITE</b>	<b>RCR</b>

HIGH BYTE	SOFT_	FILT_	0	0	0	0	STRIP_	RXEN
	RST	CAR					CRC	
	0	0	0	0	0	0	0	0
LOW BYTE						ALMUL	PRMS	RX_
								ABORT
	0	0	0	0	0	0	0	0

SOFT\_RST - Software activated Reset. Active high. Initiated by writing this bit high and terminated by writing the bit low. The SMC91C95 configuration is not preserved, except for Configuration, Base, and IA0-IA5 Registers. The EEPROM in both ISA and PCMCIA mode is not reloaded after software reset.

FILT\_CAR - Filter Carrier. When set filters leading edge of carrier sense for 12 bit times. Otherwise recognizes a receive frame as soon as carrier sense is active.

STRIP\_CRC - When set it strips the CRC on received frames. When clear the CRC is stored in memory following the packet. Defaults low.

RXEN - Enables the receiver when set. If cleared, completes receiving current frame and then goes idle. Defaults low on reset.

ALMUL - When set accepts all multicast frames (frames in which the first bit of DA is '1'). When clear accepts only the multicast frames that match the multicast table setting. Defaults low.

PRMS - Promiscuous mode. When set receives all frames. Does not receive its own transmission unless it is in full duplex.

RX\_ABORT - This bit is set if a receive frame is aborted due to length longer than 1532 bytes. The frame will not be received. The bit is cleared by RESET or by the CPU writing it low.

	RX_ABORT	RX_OVRN_INT
Packet Too Long	1	0
Run out of Memory During Receive	1	1

**I/O SPACE - BANK0**

<b>OFFSET</b>	<b>NAME</b>	<b>TYPE</b>	<b>SYMBOL</b>
<b>6</b>	<b>COUNTER REGISTER</b>	<b>READ ONLY</b>	<b>ECR</b>

Counts four parameters for MAC statistics. When any counter reaches 15 an interrupt is issued. All counters are cleared when reading the register and do not wrap around beyond 15.

HIGH BYTE	NUMBER OF EXC. DEFFERED TX	NUMBER OF DEFERRED TX
	0 0 0 0	0 0 0 0
LOW BYTE	MULTIPLE COLLISION COUNT	SINGLE COLLISION COUNT
	0 0 0 0	0 0 0 0

Each four bit counter is incremented every time the corresponding event, as defined in the EPH STATUS REGISTER bit description, occurs. Note that the counters can only increment once per enqueued transmit packet, never faster, limiting the rate of interrupts that can be generated by the counters. For example if a packet is successfully transmitted after one collision the SINGLE COLLISION COUNT field is incremented by one. If a packet experiences between 2 to 16 collisions, the MULTIPLE COLLISION COUNT field is incremented by one. If a packet experiences

deferral the NUMBER OF DEFERRED TX field is incremented by one, even if the packet experienced multiple deferrals during its collision retries.

The COUNTER REGISTER facilitates maintaining statistics in the AUTO RELEASE mode where no transmit interrupts are generated on successful transmissions.

Reading the register in the transmit service routine will be enough to maintain statistics.

**I/O SPACE - BANK0**

OFFSET	NAME	TYPE	SYMBOL
8	MEMORY INFORMATION REGISTER	READ ONLY	MIR

HIGH BYTE	FREE MEMORY AVAILABLE (IN BYTES * 256 * M)							
	0	0	0	1	1	0	0	0
LOW BYTE	MEMORY SIZE (IN BYTES * 256 * M)							
	0	0	0	1	1	0	0	0

**FREE MEMORY AVAILABLE** - This register can be read at any time to determine the amount of free memory. The register defaults to the **MEMORY SIZE** upon reset or upon the **RESET MMU** command.

**MEMORY SIZE** - This register can be read to determine the total memory size, and will always read 18H (6144 bytes) for the SMC91C95.

	MEMORY SIZE REGISTER	M	ACTUAL MEMORY
SMC91C90	FFH	1	64 kbytes
SMC91C90	40H	1	16 kbytes
SMC91C92/4	12H	1	4608 bytes
SMC91C95	18H	1	6144 bytes
SMC91C100	FFH	2	128 kbytes

**I/O SPACE - BANK0**

OFFSET A	NAME MEMORY CONFIGURATION REGISTER	TYPE Lower Byte - READ/WRITE Upper Byte - READ ONLY	SYMBOL MCR
-------------	--	---	---------------

HIGH BYTE					MEMORY SIZE MULTIPLIER				
	0	0	1	1	0	0	1	1	
LOW BYTE	MEMORY RESERVED FOR TRANSMIT (IN BYTES * 256 * M)								
	0	0	0	0	0	0	0	0	

**MEMORY RESERVED FOR TRANSMIT** - Programming this value allows the host CPU to reserve memory to be used later for transmit, limiting the amount of memory that receive packets can use up.

When programmed for zero, the memory allocation between transmit and receive is completely dynamic.

When programmed for a non-zero value, the allocation is dynamic if the free memory exceeds the programmed value, while receive allocation requests are denied if the free memory is less or equal to the programmed value.

This register defaults to zero upon reset. It is not affected by the RESET MMU command.

The value written to the MCR is a reserved memory space IN ADDITION TO ANY MEMORY CURRENTLY IN USE. If the memory allocated for transmit plus the reserved space for transmit is required to be constant (rather than grow with transmit allocations) the CPU should update the value of this register after allocating or releasing memory.

The contents of MIR as well as the low byte of MCR are specified in 256 \* M bytes. The multiplier M is determined by bits 11,10, and 9 as follows. Bits 11,10 and 9 are read only bits used by the software driver to transparently run on different controllers of the SMC9000 family.

DEVICE	bit 11	bit 10	bit 9	M	MAX MEMORY SIZE
FEAST	0	1	0	2	256*256*2=128k
SMC91C90	0	0	1	1	256*256*1=64k
FUTURE	0	1	1	4	256k
FUTURE	1	0	0	8	512k
FUTURE	1	0	1	16	1M

## I/O SPACE - BANK1

OFFSET	NAME			TYPE		SYMBOL	
0	CONFIGURATION REGISTER			READ/WRITE		CR	

The Configuration Register holds bits that define the device configuration and are not expected to change during run-time. This register is part of the EEPROM saved setup in ISA mode only. In PCMCIA mode, this register is initialized to the state as defined below the corresponding bits as if no EEPROM was present in ISA mode (i.e. ENEEP pin is a don't care in PCMCIA mode).

HIGH BYTE	0			NO WAIT		FULL STEP	SET SQLCH	AUI SELEC T
	0	X	X	0	X	0	0	0
LOW BYTE	16 BIT	DIS LINK	Reserved			INT SEL1	INT SELO	
	Function of EN16 pin	0	1	1	0	0	0	X

**NO WAIT** - When set, does not request additional wait states. An exception to this are accesses to the Data Register if not ready for a transfer. When clear, negates IOCHRDY for two to three 20 MHz clocks on any cycle to the SMC91C95.

**FULL STEP** - This bit is used to select the signaling mode for the AUI port. When set the AUI port uses full step signaling. Defaults low to half step signaling. This bit is only meaningful when AUI SELECT is high.

**SET SQLCH** - When set, the squelch level used for the 10BASE-T receive signal is 240mV. When clear the receive squelch level is 400mV. Defaults low.

**AUI SELECT** - When set the AUI interface is used, when clear the 10BASE-T interface is used. Defaults low.

**16BIT** - Used in conjunction with nEN16 and IOis8 (in PCMCIA mode only) to define the width of the system bus. If the nEN16 pin is low, this bit is forced high. Otherwise the bit defaults low and can be programmed by the host CPU.

**DIS LINK** - This bit is used to disable the 10BASE-T link test functions. When this bit is high the SMC91C95 disables link test functions by not generating nor monitoring the network for link pulses. In this mode the SMC91C95 will transmit packets regardless of the link test, the EPHSR LINK\_OK bit will be set and the LINK LED will stay on. When low the link test functions are enabled. If the link status indicates FAIL, the EPHSR LINK\_OK bit will be low, while transmit packets enqueued will be processed by the SMC91C95, transmit data will not be sent out to the cable.

**INT SEL1-0** - In ISA mode, used to select one out of four interrupt pins. The three unused interrupts are tristated.



<b>INT SEL1</b>	<b>INT SEL0</b>	<b>INTERRUPT PIN USED</b>
0	0	INTR0
0	1	INTR1
1	0	INTR2
1	1	INTR3

## I/O SPACE - BANK1

OFFSET	NAME	TYPE	SYMBOL
2	BASE ADDRESS REGISTER	READ/WRITE	BAR

For ISA mode only, this register holds the I/O address decode option chosen for the I/O and ROM space. It is part of the EEPROM saved setup, and is not usually modified during run-time. NOTE: This register should ONLY be used in ISA mode. In PCMCIA mode, this register is read only.

HIGH BYTE	A15	A14	A13	A9	A8	A7	A6	A5
	0	0	0	1	1	0	0	0
LOW BYTE	ROM SIZE		RA18	RA17	RA16	RA15	RA14	
	0	1	1	0	0	1	1	1

A15 - A13 and A9 - A5 - These bits are compared in ISA mode against the I/O address on the bus to determine the IOBASE for SMC91C95 registers. The 64k I/O space is fully decoded by the SMC91C95 down to a 16 location space, therefore the unspecified address lines A4, A10, A11 and A12 must be all zeros.

ROM SIZE - Determines the ROM decode area in ISA mode memory space as follows:

- 00 = ROM disable
- 01 = 16k: RA14-18 define ROM select
- 10 = 32k: RA15-18 define ROM select
- 11 = 64k: RA16-18 define ROM select

RA18-RA14 - These bits are compared in ISA mode against the memory address on the bus to determine if the ROM is being accessed, as a function of the ROM SIZE. ROM accesses are

read only memory accesses defined by nMEMRD going low.

For a full decode of the address space unspecified upper address lines have to be:

A19 = "1", A20-A23 lines are not directly decoded, however ISA systems will only activate nMEMRD only when A20-A23=0.

All bits in this register are loaded from the serial EEPROM in ISA Mode only. In PCMCIA mode, the I/O base is set to the default value (as in ISA mode) as defined below.

The I/O base decode defaults to 300h (namely, the high byte defaults to 18h). ROM SIZE defaults to 01. ROM decode defaults to CC000 (namely the low byte defaults to 67h).

**I/O SPACE - BANK1**

<b>OFFSET 4 THROUGH 9</b>	<b>NAME INDIVIDUAL ADDRESS REGISTERS</b>	<b>TYPE READ/WRITE</b>	<b>SYMBOL IAR</b>
-------------------------------	--	----------------------------	-----------------------

These registers are loaded starting at word location 20h of the EEPROM upon hardware reset or EEPROM reload in ISA mode only. The registers can be modified by the software driver, but a STORE operation will not modify (in ISA mode only) the EEPROM Individual Address contents.

The SMC91C95 in PCMCIA mode knows nothing about the location or structure of the IEEE Ethernet Address stored in the EEPROM. Once this data is stored in the CIS SRAM data buffer in the SMC91C95, it is parsed by the host to extract the IEEE Address information and stored manually by the LAN Driver.

In PCMCIA mode, the IEEE Individual Address is stored in the EEPROM, but is stored in PCMCIA Tuple format as defined in the Metaformat specification. Refer to the PCMCIA v3.0 card specification on the Metaformat.

Bit 0 of Individual Address 0 register corresponds to the first bit of the address on the cable.

HIGH BYTE	ADDRESS 0							
	0	0	0	0	0	0	0	0
LOW BYTE	ADDRESS 1							
	0	0	0	0	0	0	0	0
HIGH BYTE	ADDRESS 2							
	0	0	0	0	0	0	0	0
LOW BYTE	ADDRESS 3							
	0	0	0	0	0	0	0	0
HIGH BYTE	ADDRESS 4							
	0	0	0	0	0	0	0	0
LOW BYTE	ADDRESS 5							
	0	0	0	0	0	0	0	0

**I/O SPACE - BANK1**

OFFSET A	NAME GENERAL PURPOSE REGISTER	TYPE READ/WRITE	SYMBOL GPR
HIGH BYTE	HIGH DATA BYTE		
	0	0	0
LOW BYTE	LOW DATA BYTE		
	0	0	0

This register can be used as a way of storing and retrieving non-volatile information in the EEPROM to be used by the software driver. The storage is word oriented, and the EEPROM word address to be read or written is specified using the six lowest bits of the Pointer Register. In PCMCIA mode, Bits 0 to 10 of the pointer register are used.

This register can also be used to sequentially program the Individual Address area of the

EEPROM, that is normally protected from accidental Store operations.

This register will be used for EEPROM read and write only when the EEPROM SELECT bit in the Control Register is set. This allows generic EEPROM read and write routines that do not affect the basic setup of the SMC91C95.

## I/O SPACE - BANK1

OFFSET C	NAME CONTROL REGISTER				TYPE READ/WRITE		SYMBOL CTR	
HIGH BYTE	0	RCV_ BAD	PWRDWN	WAKEU P_EN	AUTO RELEASE			1
	0	0	0	0	0	X	X	1
LOW BYTE	LE ENABLE	CR ENABLE	TE ENABLE			EEPROM SELECT	RELOAD	STORE
	0	0	0	X	X	0	0	0

RCV\_BAD - When set, bad CRC packets are received. When clear bad CRC packets do not generate interrupts and their memory is released.

PWRDN - Active high bit used to put the Ethernet function in powerdown mode.

Cleared by:

1. A write to any register in the SMC91C95 I/O space
2. Hardware reset
3. "Magic Packet" was received

This bit is combined with the Pwrdsn bit in ECSR and with the powerdown bit to determine when the function is powered down.

WAKUP\_EN - Active high bit used to enable the controller in any of the powerdown modes to power up if a "Magic Packet" is detected and set the WAKEUP bit in the EPHSR to generate an EPH interrupt (if not masked). When clear (0), no "Magic Packet" scanning is done on receive packets.

NOTE: If "Magic Packet" is enabled using this bit only the notification is done on the WAKEUP bit in the EPHSR only.

AUTO RELEASE - When set, transmit pages are released by transmit completion if the transmission was successful (when TX\_SUC is set). In that case there is no status word associated with its packet number, and successful packet numbers are not even written into the TX COMPLETION FIFO. A sequence of transmit packets will only generate an interrupt when the sequence is completely transmitted (TX EMPTY INT will be set), or when a packet in the sequence experiences a fatal error (TX INT will be set).

Upon a fatal error TXENA is cleared and the transmission sequence stops. The packet number that failed is the present in the FIFO PORTS register, and its pages are not released, allowing the CPU to restart the sequence after corrective action is taken.

LE ENABLE - Link Error Enable. When set it enables the LINK\_OK bit transition as one of the interrupts merged into the EPH INT bit. Defaults low (disabled). Writing this bit also serves as the acknowledge by clearing previous LINK interrupt conditions.

CR ENABLE - Counter Roll over Enable. When set it enables the CTR\_ROL bit as one of the interrupts merged into the EPH INT bit. Defaults low (disabled).

TE ENABLE - Transmit Error Enable. When set it enables Transmit Error as one of the interrupts merged into the EPH INT bit. Defaults low (disabled). Transmit Error is any condition that clears TXENA with TX\_SUC staying low as described in the EPHSR register.

EEPROM SELECT - This bit allows the CPU to specify which registers the EEPROM RELOAD or STORE refers to. When high, the General Purpose Register is the only register read or written. When low, the RELOAD and STORE functions are enabled.

#### RELOAD

In ISA Mode: The SMC91C95 reads the Configuration, Base and Individual Address, and STORE writes the Configuration and Base registers. Also when set it will read the EEPROM and update relevant registers with its contents. This bit then Clears upon completing the operation.

In PCMCIA Mode: The SMC91C95 reads the contents of the EEPROM and stores the

contents in the SMC91C95 CIS SRAM as defined in Table 10.

#### STORE

In ISA Mode: The STORE bit when set, stores the contents of all relevant registers in the serial EEPROM. This bit is cleared upon completing the operation.

In PCMCIA Mode: The SMC91C95 performs no function.

NOTE: When an EEPROM access is in progress the STORE and RELOAD bits will be read back as high. The remaining 14 bits of this register will be invalid. During this time, attempted read/write operations, other than polling the EEPROM status, will NOT have any effect on the internal registers. The CPU can resume accesses to the SMC91C95 after both bits are low. A worst case RELOAD operation initiated by RESET or by software takes less than 750  $\mu$ sec.

#### PCMCIA EEPROM to SRAM Memory Map

As defined in the PCMCIA specification, Odd byte attribute memory locations are a don't care. In order to utilize the serial EEPROM and internal SMC91C95 SRAM, the data to memory mapping is shown in Table 10.

**Table 10 - PCMCIA EEPROM to SRAM Memory Map**

<b>ATTRIBUTE MEMORY HOST ADDRESS (HEX)</b>	<b>ATTRIBUTE DATA</b>	<b>EEPROM ADDRESS IN WORDS</b>	<b>SMC91C95 SRAM IN BYTES</b>
000	Data byte 0	Word 1 - Low Byte	Byte 0
001	Don't Care		
002	Data byte 1	Word 1 - High Byte	Byte1
003	Don't Care		
004	Data byte 2	Word 2 - Low Byte	Byte2
005	Don't Care		
006	Data byte 3	Word 2 - High Byte	Byte3
..	..	..	..
3F8	Data byte 1FC	Word FE - Low Byte	Byte FC
3F9	Don't Care		
3FA	Data byte 1FD	Word FE- High Byte	Byte1FD
3FB	Don't Care		
3FC	Data byte 1FE	Word FF - Low Byte	Byte1FE
3FD	Don't Care		
3FE	Data byte 1FF	Word FF - High Byte	Byte1FF
3FF	Don't Care		

NOTE: This memory map assumes a 4096 bit Serial EEPROM in PCMCIA mode.

**I/O SPACE - BANK2**

OFFSET	NAME	TYPE	SYMBOL
0	MMU COMMAND REGISTER	WRITE ONLY BUSY Bit Readable	MMUCR

This register is used by the CPU to control the memory allocation, de-allocation, TX FIFO and RX FIFO control. The three command bits determine the command issued as described below:

HIGH BYTE								
LOW BYTE	COMMAND			0	0	N2	N1	N0/BUS Y
	x	y	z					0
							0	

**COMMAND SET:**

- xyz
- 000 0) NOOP - NO OPERATION
  - 001 1) ALLOCATE MEMORY FOR TX - N2,N1,N0 defines the amount of memory requested as (value + 1) \* 256 bytes. Namely N2,N1,N0 = 1 will request 2 \* 256 = 512 bytes. Valid range for N2,N1,N0 is 0 through 5. A shift-based divide by 256 of the packet length yields the appropriate value to be used as N2,N1,N0. Immediately generates a completion code at the ALLOCATION RESULT REGISTER. Can optionally generate an interrupt on successful completion. The allocation time can take worst case (N2,N1,N0 + 2) \* 200ns.
  - 010 2) RESET MMU TO INITIAL STATE - Frees all memory allocations, clears relevant interrupts, resets packet FIFO pointers.
  - 011 3) REMOVE FRAME FROM TOP OF RX FIFO - To be issued after CPU has completed processing of present receive frame. This command removes the receive packet number from the RX FIFO and brings the next receive frame (if any) to the RX area (output of RX FIFO).
  - 100 4) REMOVE AND RELEASE TOP OF RX FIFO - Like 3) but also releases all memory used by the packet presently at the RX FIFO output.
  - 101 5) RELEASE SPECIFIC PACKET - Frees all pages allocated to the packet specified in the PACKET NUMBER REGISTER. Should not be used for frames pending transmission. Typically used to remove transmitted frames, after reading their completion status. Can be used following 3) to release receive packet memory in a more flexible way than 4).



- 110 6) ENQUEUE PACKET NUMBER INTO TX FIFO - This is the normal method of transmitting a packet just loaded into RAM. The packet number to be enqueued is taken from the PACKET NUMBER REGISTER.
- 111 7) RESET TX FIFOs - This command will reset both TX FIFOs: the TX FIFO holding the packet numbers awaiting transmission and the TX Completion FIFO. This command provides a mechanism for canceling packet transmissions, and reordering or bypassing the transmit queue. The RESET TX FIFOs command should only be used when the transmitter is disabled. Unlike the RESET MMU command, the RESET TX FIFOs does not release any memory.

NOTE 1: Only command 1) uses N2,N1,N0.

NOTE 2: When using the RESET TX FIFOs command, the CPU is responsible for releasing the memory associated with outstanding packets, or re-enqueuing them. Packet numbers in the completion FIFO can be read via the FIFO ports register before issuing the command.

NOTE 3: MMU commands releasing memory (commands 4 and 5) should only be issued if the corresponding packet number has memory allocated to it.

---

### COMMAND SEQUENCING

A second allocate command (command 1) should not be issued until the present one has completed. Completion is determined by reading the FAILED bit of the allocation result register or through the allocation interrupt.

A second release command (commands 4, 5) should not be issued if the previous one is still being processed. The BUSY bit indicates that a release command is in progress. After issuing

command 5, the contents of the PNR should not be changed until BUSY goes low. After issuing command 4, command 3 should not be issued until BUSY goes low.

BUSY BIT - Readable at bit 0 of the MMU command register address. When set indicates that MMU is still processing a release command. When clear, MMU has already completed last release command. BUSY and FAILED bits are set upon the trailing edge of command.

**I/O SPACE - BANK2**

OFFSET	NAME			TYPE	SYMBOL		
2	PACKET NUMBER REGISTER			READ/WRITE	PNR		
				PACKET NUMBER AT TX AREA			
0	0	0	0	0	0	0	0

PACKET NUMBER AT TX AREA - The value written into this register determines which packet number is accessible through the TX area. Some MMU commands use the number stored in this

register as the packet number parameter. This register is cleared by a RESET or a RESET MMU Command.

OFFSET	NAME			TYPE	SYMBOL		
3	ALLOCATION RESULT REGISTER			READ ONLY	ARR		
	FAILED			ALLOCATED PACKET NUMBER			
1	0	0	0	0	0	0	0

This register is updated upon an ALLOCATE MEMORY MMU command.

FAILED - A zero indicates a successful allocation completion. If the allocation fails the bit is set and only cleared when the pending allocation is satisfied. Defaults high upon reset and reset MMU command. For polling purposes, the ALLOC\_INT in the Interrupt Status Register should be used because it is synchronized to the read operation. Sequence:

- 1) Allocate Command
- 2) Poll ALLOC\_INT bit until set
- 3) Read Allocation Result Register

ALLOCATED PACKET NUMBER - Packet number associated with the last memory allocation request. The value is only valid if the FAILED bit is clear.

NOTE: For software compatibility with future versions, the value read from the ARR after an allocation request is intended to be written into the PNR as is, without masking higher bits (provided FAILED = 0).

**I/O SPACE - BANK2**

OFFSET	NAME	TYPE	SYMBOL
4	FIFO PORTS REGISTER	READ ONLY	FIFO

This register provides access to the read ports of the Receive FIFO and the Transmit completion FIFO. The packet numbers to be processed by the interrupt service routines are read from this register.

HIGH BYTE	REMP Y			RX FIFO PACKET NUMBER				
	1	0	0	0	0	0	0	0
LOW BYTE	TEMP Y			TX DONE PACKET NUMBER				
	1	0	0	0	0	0	0	0

REMPY - No receive packets queued in the RX FIFO. For polling purposes, uses the RCV\_INT bit in the Interrupt Status Register.

TOP OF RX FIFO PACKET NUMBER - Packet number presently at the output of the RX FIFO. Only valid if REMPTY is clear. The packet is removed from the RX FIFO using MMU Commands 3) or 4).

TEMPY - No transmit packets in completion queue. For polling purposes, uses the TX\_INT bit in the Interrupt Status Register.

TX DONE PACKET NUMBER - Packet number presently at the output of the TX Completion FIFO. Only valid if TEMPTY is clear. The packet is removed when a TX INT acknowledge is issued.

NOTE: For software compatibility with future versions, the value read from each FIFO register is intended to be written into the PNR as is, without masking higher bits (provided TEMPTY and REMPTY = 0 respectively).

**I/O SPACE - BANK2**

OFFSET	NAME				TYPE	SYMBOL		
6	POINTER REGISTER				READ/WRITE	PTR		
HIGH BYTE	RCV	AUTO INCR.	READ	ETEN	0	POINTER HIGH		
	0	0	0	0	0	0	0	0
LOW BYTE	POINTER LOW							
	0	0	0	0	0	0	0	0

**POINTER REGISTER** -The value of this register determines the address to be accessed within the transmit or receive areas. It will auto-increment on accesses to the data register when AUTO INCR. is set. The increment is by one for every byte access, and by two for every word access.

When RCV is set the address refers to the receive area and uses the output of RX FIFO as the packet number, when RCV is clear the address refers to the transmit area and uses the packet number at the Packet Number Register.

**READ bit** - Determines the type of access to follow. If the READ bit is high the operation intended is a read. If the READ bit is low the operation is a write. Loading a new pointer value, with the READ bit high, generates a pre-fetch into the Data Register for read purposes.

Readback of the pointer will indicate the value of the address last accessed by the CPU (rather than the last pre-fetched). This allows any interrupt routine that uses the pointer, to save it and restore it without affecting the process being interrupted.

The Pointer Register should not be loaded until 400ns after the last write operation to the Data Register to ensure that the Data Register FIFO is empty. If the pointer is loaded using 8 bit writes, the low byte should be loaded first and the high byte last.

**ETEN bit** - When set enables EARLY Transmit underrun detection. Normal operation when clear. For Underrun detection purposes the RAM logical address and packet numbers of the packet being loaded are compared against the logical address and packet numbers of the packet being transmitted. If the packet numbers match and the logical address of the packet being transmitted exceeds the address being loaded the packet transmission is aborted and Underrun is reported in the transmit status word.

**NOTE:** If AUTO INCR. is not set and 16 bits are used, the pointer must be loaded with an even value. If AUTO INCR. is not set and 8 bit (allows even and odd values) writes are used, consecutive writes to the data register for the same pointer (same memory address) value is not allowed; even and odd pointer values are always allowed.

**I/O SPACE - BANK2**

<b>OFFSET</b> <b>8 THROUGH Ah</b>	<b>NAME</b> <b>DATA REGISTER</b>	<b>TYPE</b> <b>READ/WRITE</b>	<b>SYMBOL</b> <b>DATA</b>
			DATA HIGH
			DATA LOW

DATA REGISTER - Used to read or write the data buffer byte/word presently addressed by the pointer register.

This register is mapped into two uni-directional FIFOs that allow moving words to and from the SMC91C95 regardless of whether the pointer address is even or odd. Data goes through the write FIFO into memory, and is pre-fetched from memory into the read FIFO. If byte accesses are used, the appropriate (next) byte can be accessed through the Data Low or Data High registers. The

order to and from the FIFO is preserved. Byte and word accesses can be mixed on the fly in any order.

This register is mapped into two consecutive word locations to facilitate the usage of double word move instructions. The DATA register is accessible at any address in the 8 through Ah range, while the number of bytes being transferred are determined by A0 and nSBHE in ISA mode, and by A0, nCE1 and nCE2 in PCMCIA mode.

**I/O SPACE - BANK2**

OFFSET C	NAME INTERRUPT STATUS REGISTER				TYPE READ ONLY	SYMBOL IST	
	ERCV INT	EPH INT	RX_OVR N INT	ALLOC INT	TX EMPTY INT	TX INT	RCV INT
X	0	0	0	0	1	0	0

OFFSET C	NAME INTERRUPT ACKNOWLEDGE REGISTER				TYPE WRITE ONLY	SYMBOL ACK	
	ERCV INT		RX_OVR N INT		TX EMPTY INT	TX INT	

OFFSET D	NAME INTERRUPT MASK REGISTER				TYPE READ/WRITE	SYMBOL MSK	
	ERCV INT	EPH INT	RX_OVR N INT	ALLOC INT	TX EMPTY INT	TX INT	RCV INT
X	0	0	0	0	0	0	0

This register can be read and written as a word or as two individual bytes.

The Interrupt Mask Register bits enable the appropriate bits when high and disable them when low. An enabled bit being set will cause a hardware interrupt.

EPH INT - Set when the Ethernet Protocol Handler section indicates one out of various possible special conditions. This bit merges exception type of interrupt sources, whose service time is not critical to the execution speed of the low level drivers. The exact nature of the interrupt can be obtained from the EPH Status Register (EPHSR),

and enabling of these sources can be done via the Control Register. The possible sources are:

LINK\_OK transition  
 CTR\_ROL - Statistics counter roll over.  
 TXENA cleared - A fatal transmit error occurred forcing TXENA to be cleared. TX\_SUC will be low and the specific reason will be reflected by the bits:

- TXUNRN - Transmit underrun
- SQET - SQE Error
- LOST CARR - Lost Carrier
- LATCOL - Late Collision
- 16COL - 16 collisions

WAKE\_UP - "Magic Packet" is received if enabled

RX\_OVRN INT - Set when the receiver overruns due to a failed memory allocation. The RX\_OVRN bit of the EPHSR will also be set, but if a new packet is received it will be cleared. The RX\_OVRN INT bit, however, latches the overrun condition for the purpose of being polled or generating an interrupt, and will only be cleared by writing the acknowledge register with the RX\_OVRN INT bit set.

ALLOC INT - Set when an MMU request for TX pages allocation is completed. This bit is the complement of the FAILED bit in the ALLOCATION RESULT register. The ALLOC INT ENABLE bit should only be set following an allocation command, and cleared upon servicing the interrupt.

TX EMPTY INT - Set if the TX FIFO goes empty, can be used to generate a single interrupt at the end of a sequence of packets enqueued for transmission. This bit latches the empty condition, and the bit will stay set until it is specifically cleared by writing the acknowledge register with the TX EMPTY INT bit set. If a real time reading of the FIFO empty is desired, the bit should be first cleared and then read. The TX EMPTY INT ENABLE should only be set after the following steps:

- a) a packet is enqueued for transmission
- b) the previous empty condition is cleared (acknowledged)

TX INT - Set when at least one packet transmission was completed. The first packet number to be serviced can be read from the FIFO PORTS register. The TX INT bit is always the logic complement of the EMPTY bit in the FIFO PORTS register. After servicing a packet number, its TX INT interrupt is removed by writing the Interrupt Acknowledge Register with the TX INT bit set.

RCV INT - Set when a receive interrupt is generated. The first packet number to be serviced can be read from the FIFO PORTS register. The RCV INT bit is always the logic complement of the EMPTY bit in the FIFO PORTS register.

ERCV INT - Early receive interrupt. Set whenever a receive packet is being received, and the number of bytes received into memory exceeds the value programmed as ERCV THRESHOLD (Bank 3, Offset Ch). ERCV INT stays set until acknowledged by writing the INTERRUPT ACKNOWLEDGE REGISTER with the ERCV INT bit set.

NOTE: If the driver uses AUTO RELEASE mode it should enable TX EMPTY INT as well as TX INT. TX EMPTY INT will be set when the complete sequence of packets is transmitted. TX INT will be set if the sequence stops due to a fatal error on any of the packets in the sequence.

NOTE: For edge triggered systems, the Interrupt Service Routine should clear the Interrupt Mask Register, and only enable the appropriate interrupts after the interrupt source is serviced (acknowledged).

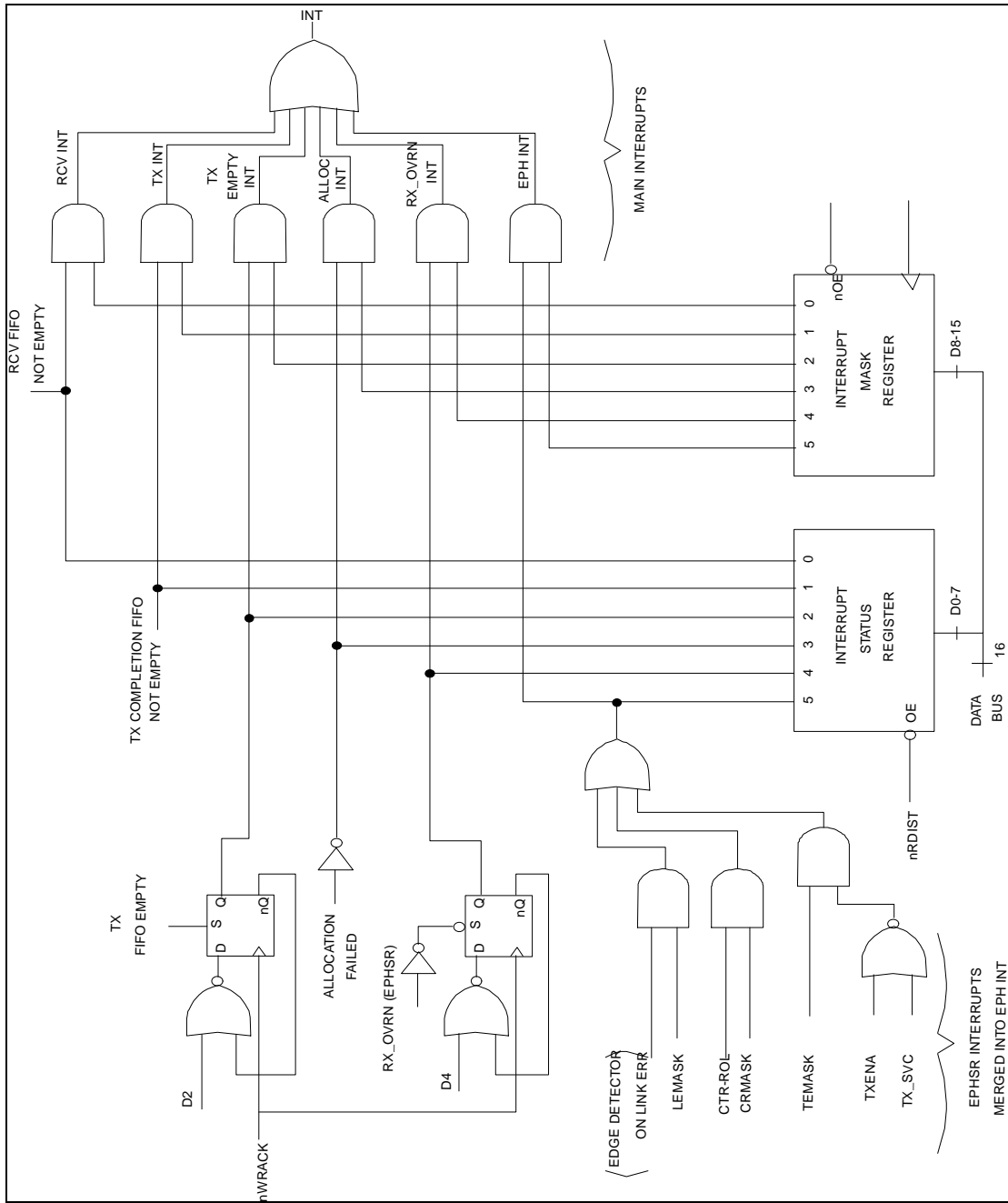


FIGURE 9 - INTERRUPT STRUCTURE



**I/O SPACE - BANK 3**

<b>OFFSET 0 THROUGH 7</b>	<b>NAME MULTICAST TABLE</b>	<b>TYPE READ/WRITE</b>	<b>SYMBOL MT</b>
LOW BYTE	MULTICAST TABLE 0		
	0 0 0 0 0 0 0 0		
HIGH BYTE	MULTICAST TABLE 1		
	0 0 0 0 0 0 0 0		
LOW BYTE	MULTICAST TABLE 2		
	0 0 0 0 0 0 0 0		
HIGH BYTE	MULTICAST TABLE 3		
	0 0 0 0 0 0 0 0		
LOW BYTE	MULTICAST TABLE 4		
	0 0 0 0 0 0 0 0		
HIGH BYTE	MULTICAST TABLE 5		
	0 0 0 0 0 0 0 0		
LOW BYTE	MULTICAST TABLE 6		
	0 0 0 0 0 0 0 0		
HIGH BYTE	MULTICAST TABLE 7		
	0 0 0 0 0 0 0 0		

The 64 bit multicast table is used for group address filtering. The hash value is defined as the six most significant bits of the CRC of the destination addresses. The three msb's determine the register to be used (MT0-MT7), while the other three determine the bit within the register. If the appropriate bit in the table is set, the packet is received. If the ALMUL bit in the RCR register is

set, all multicast addresses are received regardless of the multicast table values.

Hashing is only a partial group addressing filtering scheme, but being the hash value available as part of the receive status word, the receive routine can reduce the search time significantly. With the proper memory structure, the search is limited to comparing only the multicast addresses that have the actual hash value in question.

**I/O SPACE - BANK3**

OFFSET	NAME	TYPE	SYMBOL			
8	MANAGEMENT INTERFACE	READ/WRITE	MGMT			
HIGH BYTE		nXNDEC	IOS2	IOS1	IOS0	
	0 0 1 1					
LOW BYTE		MDOE	MCLK	MDI	MDO	
	0 0 1 1	0	0	0	0	

nXNDEC - Read only bit reflecting the status of the nXENDEC pin.

IOS0-IOS2 - Read only bits reflecting the status of the IOS0-IOS2 pins.

MDO - The value of this bit drives the EEDO pin when MDOE=1.

MDI - Reads the value of the EEDI pin.

MDCLK - The value of this bit drives the EESK pin when MDOE=1.

MDOE - When this bit is high pins EEDO EECS and EESK will be used for transceiver management functions, otherwise the pins assume the EEPROM values.

	MDOE=0	MDOE=1
EEDO	Serial EEPROM Data Out	Bit MDO
EESK	Serial EEPROM Clock	Bit MCLK
EECS	Serial EEPROM Chip Select	0

**I/O SPACE - BANK3**

OFFSET A	NAME REVISION REGISTER	TYPE READ ONLY	SYMBOL REV
HIGH BYTE			
	0	0	1
	1	1	0
	0	0	1
	1	1	0
LOW BYTE	CHIP		REV
	0	1	0
	1	0	0
	0	0	0
	1	0	0

CHIP - Chip ID. Can be used by software drivers to identify the device used.

REV - Revision ID. Incremented for each revision of a given device.

CHIP ID VALUE	DEVICE
3	SMC91C90/SMC91C92
4	SMC91C94
5	SMC91C95
7	FEAST

**I/O SPACE - BANK 3**

OFFSET C	NAME	TYPE	SYMBOL								
	EARLY RCV REGISTER	READ/WRITE	ERCV								
HIGH BYTE	<table border="1" style="width: 100%; height: 20px;"> <tr> <td style="width: 12.5%;"></td> <td style="width: 12.5%;"></td> <td style="width: 12.5%;"></td> <td style="width: 12.5%;"></td> <td style="width: 12.5%;"></td> <td style="width: 12.5%;"></td> <td style="width: 12.5%;"></td> <td style="width: 12.5%;"></td> </tr> </table>										
	0	0	1 1	0 0	1	1					
LOW BYTE	RCV DISCR D	ERCV THRESHOLD									
	0	0	0	1	1	1	1				

RCV DISCRD - Set to discard a packet being received. This bit can be used in conjunction with ERCV THRESHOLD and ERCV INT to process a packet header while it is being received and discard it if the packet is not desired. Setting this bit will only discard packets that are still in the process of being received.

If the RCV DISCRD bit is set prior to the end of a receive packet, RXOVRN bit in the Interrupt Status Register will be set to indicate that the packet was discarded and its memory released. If the receive

packet is complete prior to the RCV DISCRD bit being set, the packet is received normally and RCV INT bit is set in the Interrupt Status Register. The RCV DISCRD bit is self-clearing.

ERCV THRESHOLD - Threshold for ERCV interrupt. Specified in 64 byte multiples. Whenever the number of bytes written in memory for the presently received packet exceeds the ERCV THRESHOLD, ERCV INT bit of the INTERRUPT STATUS REGISTER is set.

## THEORY OF OPERATION

PC Card 5.0 treats the individual functions of a multifunction PCMCIA application independently. Card and Socket Services (C&SS) 5.0 is designed to provide the support for determining the function generating the interrupt and informing relevant drivers. The registers for the two functions are treated as independent sets. One of the only requirements is to set the functions' I/O base registers with different values to avoid any access conflict.

### MEMORY ARCHITECTURE

The concept of presenting the shared RAM as FIFO of packets, with a memory management unit allocating memory on a per packet basis responds to the following needs:

Memory allocation for receive vs. transmit - A fixed partition between receive and transmit area would not be efficient. Being able to dynamically allocate it to transmit and receive represents almost the equivalent of duplicating the memory size for some workstation type of drivers.

Software overhead - By presenting a FIFO of packets, the software driver does not have to waste any time in calculating pointers for the different buffers that make up different packets. The driver usually deals with one packet at a time. With this approach, packets are accessible always at the same fixed address, and access is provided to any byte of the packet.

Headers can be analyzed without reading out the entire packet. The packet can be moved in or out with a block move operation.

Multiple upper layer support - The SMC91C95 facilitates interfacing to multiple upper layer protocols because of the receive packet

processing flexibility. A receive lookahead scheme like ODI or NDIS drivers is supported by copying a small part of the received packet and letting the upper layer provide a pointer for the rest of the data. If the upper layer indicates it does not want a specific part of the packet, a block move operation starting at any particular offset can be done. Out of order receive processing is also supported: if memory for one packet is not yet available, receive packet processing can continue.

Efficiency - Lacking any level of indirection or linked lists of pointers, virtually all the memory is used for data. There are not descriptors, forward links and pointers at all. This simplicity and memory efficiency is accomplished without giving up the benefits of linked lists which is unlimited back-to-back transmission and reception without CPU intervention for as long as memory is available.

### FULL DUPLEX ETHERNET SUPPORT

Full Duplex Ethernet operation refers to the ability of the network (or parts of it) to simultaneously transmit and receive packets. The CSMA/CD protocol used by Ethernet for accessing a shared medium is inherently half duplex, and so is the 10BASE-T physical layer where simultaneous transmit and receive activity is interpreted as a collision.

The SMC91C95 supports two types of Full Duplex operation:

1. Full Duplex mode for diagnostic purposes only, where the received packet is the transmit packet being looped back. This mode is enabled using the FDUPLX bit in the TCR. In this mode the CSMA/CD algorithm is used to gain access to the media.

2. FDSE (Full Duplex Switched Ethernet). Enabled by FDSE bit in TCR bit. When the SMC91C95 is configured for FDSE, its transmit and receive paths will operate independently and some CSMA/CD functions are disabled such as Carrier Sense.

### **Behavior in FDSE Mode**

The main 802.3 section affected by FDSE is 4.2.8 where the Frame Transmission procedural model is presented. The changes are:

1. No deferral - The transmit channel is dedicated and always available - The device will transmit whenever it has a packet ready to be sent, while respecting the interframe spacing between transmit packets.
2. No collision detection - There are no collisions in a switched environment.

The EPH implementation of the procedural model uses as 'collisionDetect' the MAC collision input, sourced from the 10BASE-

T front end, AUI front end, or External Endec interface. This collision input is observed by the Transmit State Machine while 'transmitting' is true, that is during Preamble, Data, Pad, and CRC states. If collision is active during any of these states the state machine transitions to JAM and BACKOFF states.

3. 10BASE-T loopback - Typically 10BASE-T drivers are internally looped back to the differential receivers.

### **"Magic Packet" Support**

If the WAKEUP\_EN bit in the Control Register (Bank1, Offset C) is set, the controller will come out of any powerdown mode. If this bit is not set, this functionality is disabled.

When a "Magic Packet" is received, the ethernet controller will generate an interrupt causing the host to initiate a service routine to find the source of the event. The Interrupt bit in the ECSR is also set if the host plans on polling the controller for Wakeup status.

## TYPICAL FLOW OF EVENTS FOR TRANSMIT

### S/W DRIVER

### CSMA/CD SIDE

- 1 ISSUE ALLOCATE MEMORY FOR TX - N BYTES - the MMU attempts to allocate N bytes of RAM.
- 2 WAIT FOR SUCCESSFUL COMPLETION CODE - Poll until the ALLOC INT bit is set or enable its mask bit and wait for the interrupt. The TX packet number is now at the Allocation Result Register.
- 3 LOAD TRANSMIT DATA - Copy the TX packet number into the Packet Number Register. Write the Pointer Register, then use a block move operation from the upper layer transmit queue into the Data Register.
- 4 ISSUE "ENQUEUE PACKET NUMBER TO TX FIFO" - This command writes the number present in the Packet Number Register into the TX FIFO. The transmission is now enqueued. No further CPU intervention is needed until a transmit interrupt is generated.
- 5 

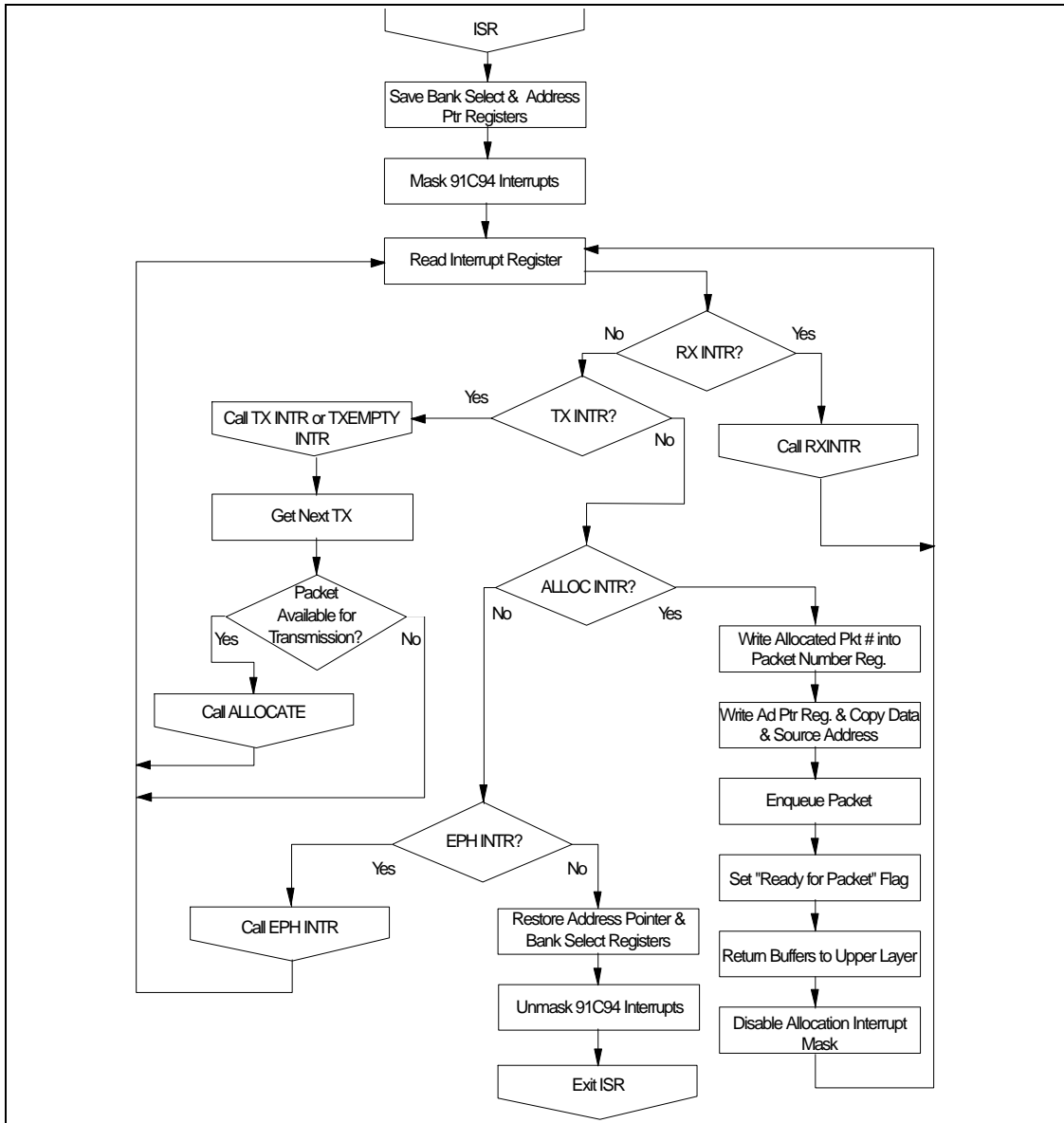
The enqueued packet will be transferred to the CSMA/CD block as a function of TXENA (n TCR) bit and of the deferral process (in half duplex mode) state.
- 6 

Upon transmit completion the first word in memory is written with the status word. The packet number is moved from the TX FIFO into the TX completion FIFO. Interrupt is generated by the TX completion FIFO being not empty.
- 7 SERVICE INTERRUPT - Read Interrupt Status Register. If it is a transmit interrupt, read the TX Done Packet Number from the FIFO Ports Register. Write the packet number into the Packet Number Register. The corresponding status word is now readable from memory. If status word shows successful transmission, issue RELEASE packet number command to free up the memory used by this packet. Remove packet number from completion FIFO by writing TX INT Acknowledge Register.

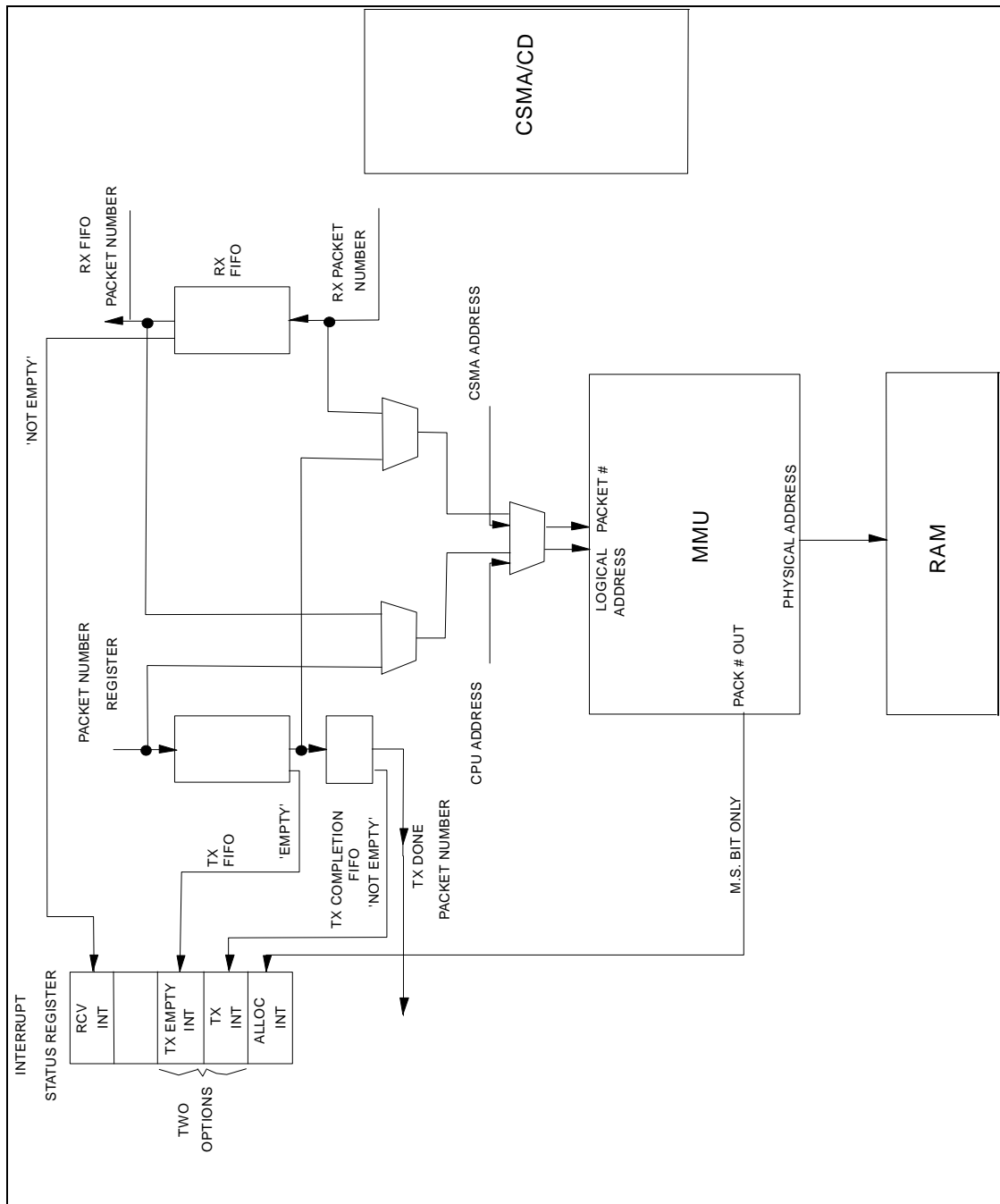
## TYPICAL FLOW OF EVENTS FOR RECEIVE

S/W DRIVER	CSMA/CD SIDE
1 ENABLE RECEPTION - By setting the RXEN bit.	
2	A packet is received with matching address. Memory is requested from MMU. A packet number is assigned to it. Additional memory is requested if more pages are needed.
3	The internal DMA logic generates sequential addresses and writes the receive words into memory. The MMU does the sequential to physical address translation. If overrun, packet is dropped and memory is released.
4	When the end of packet is detected, the status word is placed at the beginning of the receive packet in memory. Byte count is placed at the second word. If the CRC checks correctly the packet number is written into the RX FIFO. The RX FIFO being not empty causes RCV INT (interrupt) to be set. If CRC is incorrect the packet memory is released and no interrupt will occur.
5 SERVICE INTERRUPT - Read the Interrupt Status Register and determine if RCV INT is set. The next receive packet is at receive area. (Its packet number can be read from the FIFO Ports Register). The software driver can process the packet by accessing the RX area, and can move it out to system memory if desired. When processing is complete the CPU issues the REMOVE AND RELEASE FROM TOP OF RX command to have the MMU free up the used memory and packet number.	





**FIGURE 10 - ETHERNET INTERRUPT SERVICE ROUTINE**



**FIGURE 11 - INTERRUPT GENERATION FOR TRANSMIT, RECEIVE, MMU**

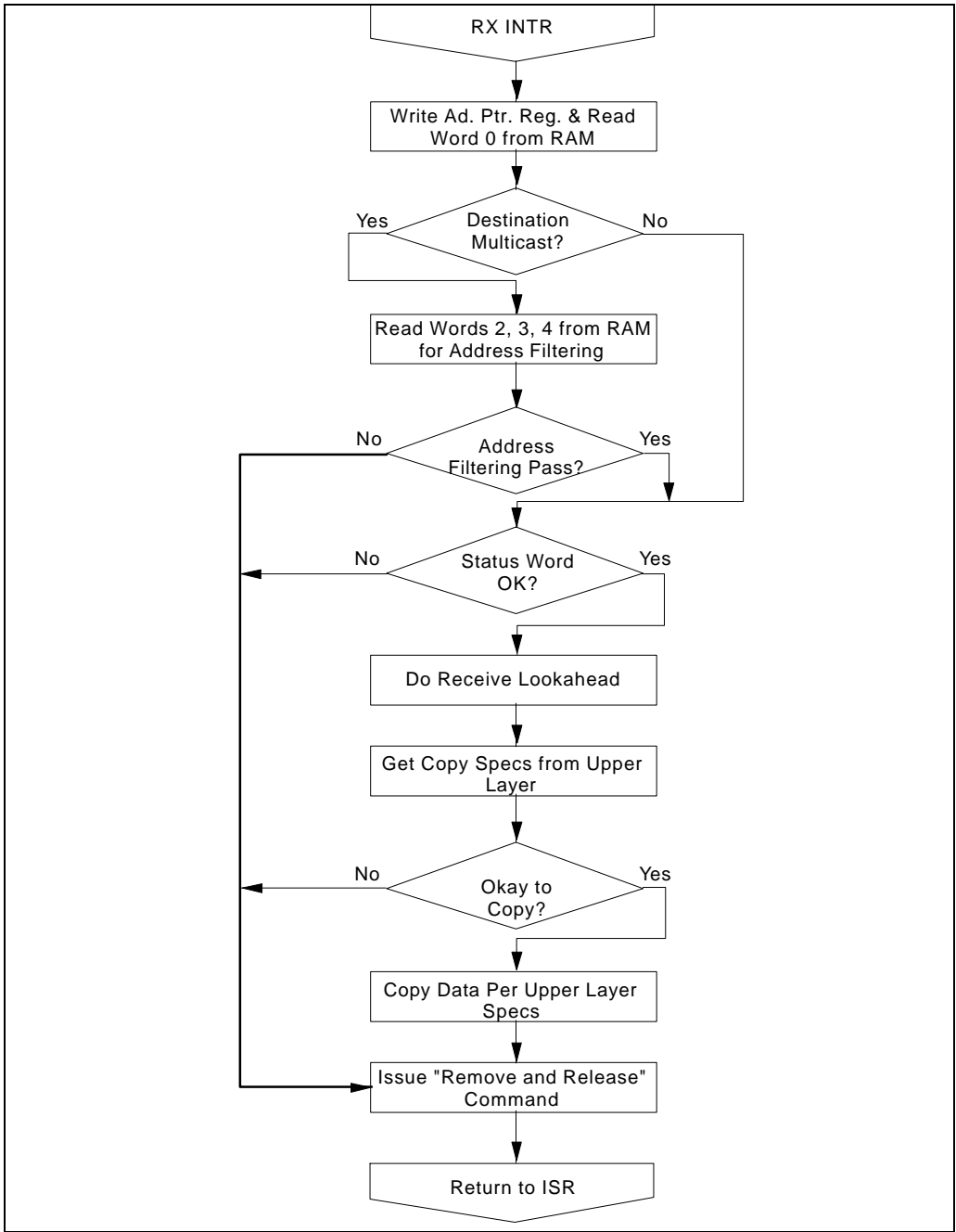
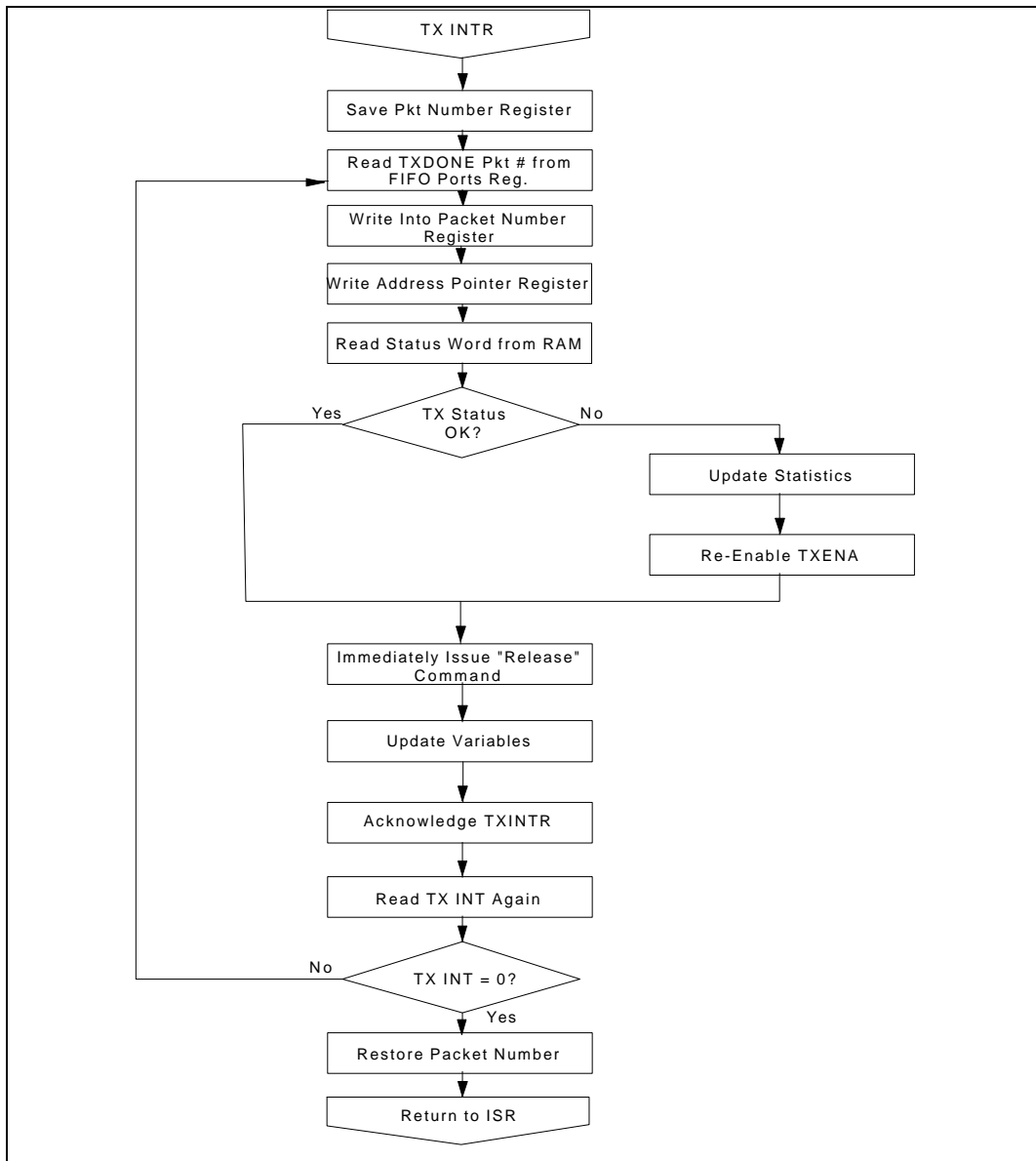
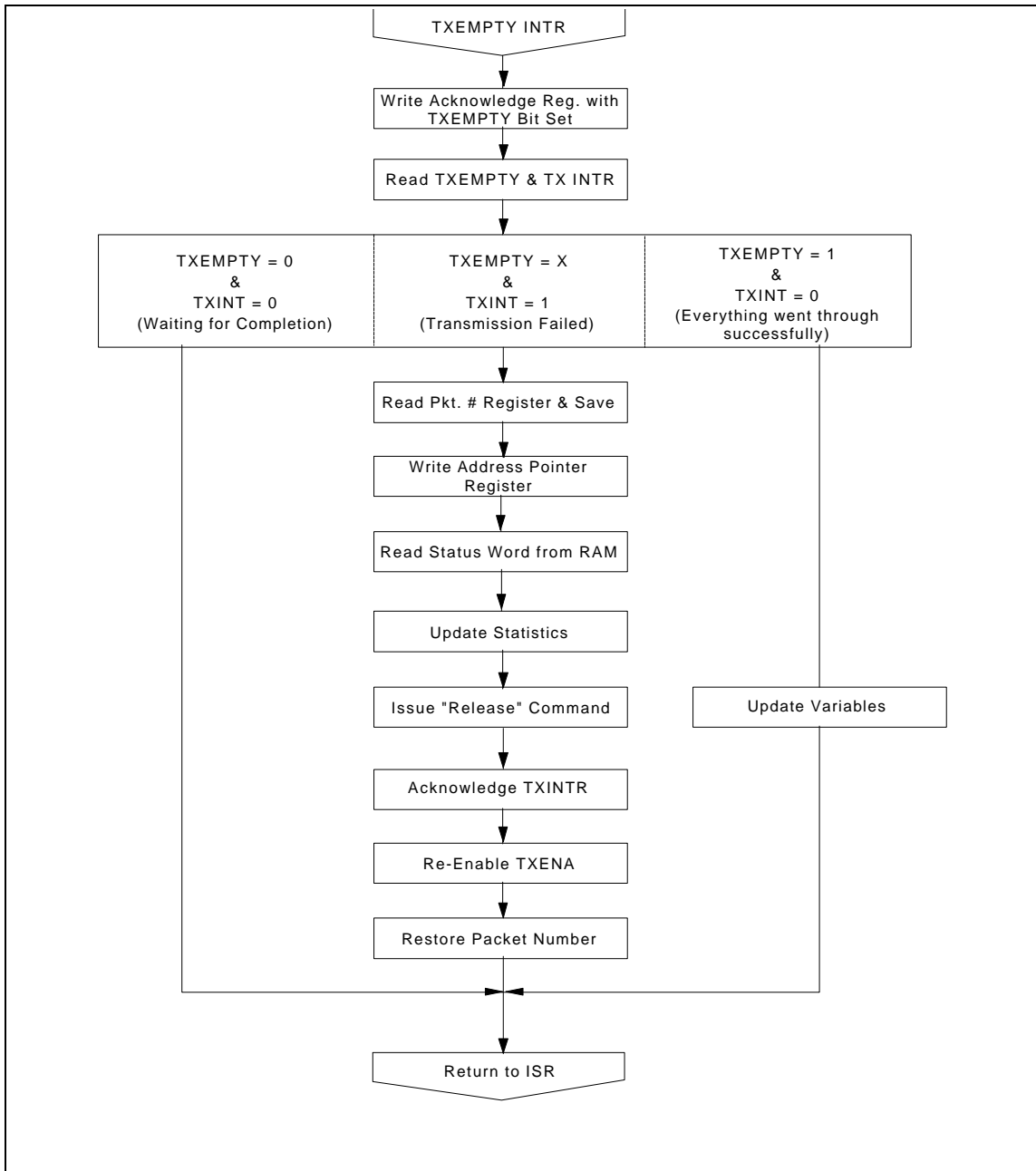


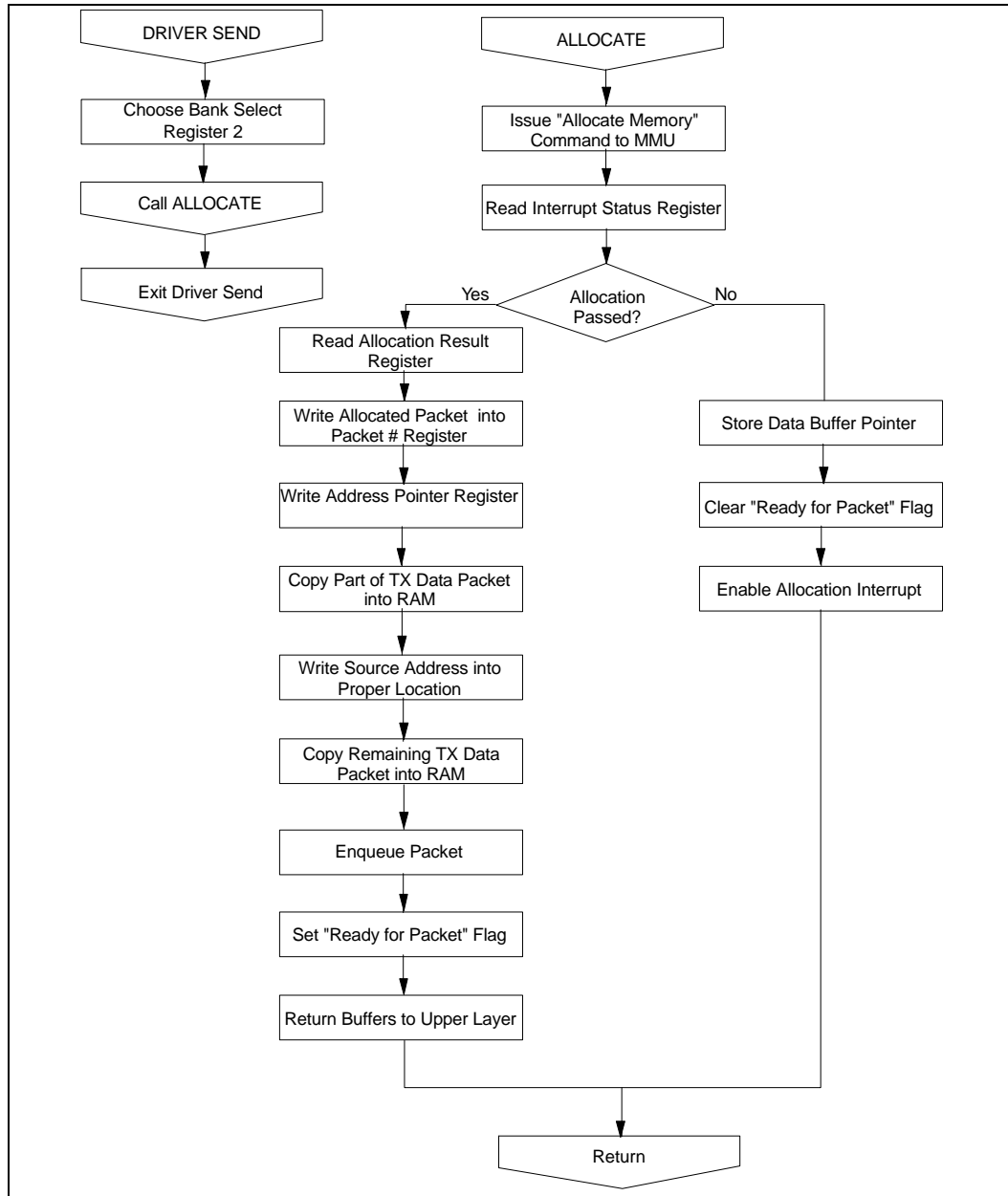
FIGURE 12 - RX INTR



**FIGURE 13 - TX INTR**  
**(Assumes Auto Release Option Selected)**



**FIGURE 14 - TXEMPTY INTR**



**FIGURE 15 - DRIVER SEND AND ALLOCATE ROUTINES**

## MEMORY PARTITIONING

Unlike other controllers, the SMC91C95 does not require a fixed memory partitioning between transmit and receive resources. The MMU allocates and de-allocates memory upon different events. An additional mechanism allows the CPU to prevent the receive process from starving the transmit memory allocation.

Memory is always requested by the side that needs to write into it, that is: the CPU for transmit or the CSMA/CD for receive. The CPU can control the number of bytes it requests for transmit but it cannot determine the number of bytes the receive process is going to demand. Furthermore, the receive process requests will be dependent on network traffic, in particular on the arrival of broadcast and multicast packets that might not be for the node, and that are not subject to upper layer software flow control.

In order to prevent unwanted traffic from using too much memory, the CPU can program a "memory reserved for transmit" parameter. If the free memory falls below the "memory reserved for transmit" value, MMU requests from the CSMA/CD block will fail and the packets will overrun and be ignored. Whenever enough memory is released, packets can be received again. If the reserved value is too large, the node might lose data which is an abnormal condition. If the value is kept at zero, memory allocation is handled on first-come first-served basis for the entire memory capacity.

Note that with the memory management built into the SMC91C95, the CPU can dynamically program this parameter. For instance, when the driver does not need to enqueue transmissions, it can allow more memory to be allocated for receive (by reducing the value of the reserved memory). Whenever the driver

needs to burst transmissions it can reduce the receive memory allocation. The driver program the parameter as a function of the following variables:

- 1) Free memory (read only register)
- 2) Memory size (read only register)

The reserved memory value can be changed on the fly. If the MEMORY RESERVED FOR TX value is increased above the FREE MEMORY, receive packets in progress are still received, but no new packets are accepted until the FREE MEMORY increases above the MEMORY RESERVED value.

## INTERRUPT GENERATION

The interrupt strategy for the transmit and receive processes is such that it does not represent the bottleneck in the transmit and receive queue management between the software driver and the controller. For that purpose there is no register reading necessary before the next element in the queue (namely transmit or receive packet) can be handled by the controller. The transmit and receive results are placed in memory.

The receive interrupt will be generated when the receive queue (FIFO of packets) is not empty and receive interrupts are enabled. This allows the interrupt service routine to process many receive packets without exiting, or one at a time if the ISR just returns after processing and removing one.

There are two types of transmit interrupt strategies:

- 1) One interrupt per packet
- 2) One interrupt per sequence of packets

The strategy is determined by how the transmit interrupt bits and the AUTO RELEASE bit are used.

TX INT bit - Set whenever the TX completion FIFO is not empty.

TX EMPTY INT bit - Set whenever the TX FIFO is empty.

AUTO RELEASE - When set, successful transmit packets are not written into completion FIFO, and their memory is released automatically.

1) One interrupt per packet: enable TX INT, set AUTO RELEASE=0. The software driver can find the completion result in memory and process the interrupt one packet at a time. Depending on the completion code the driver will take different actions. Note that the transmit process is working in parallel and other transmissions might be taking place. The SMC91C95 is virtually queuing the packet numbers and their status words.

In this case, the transmit interrupt service routine can find the next packet number to be serviced by reading the TX DONE PACKET NUMBER at the FIFO PORTS register. This eliminates the need for the driver to keep a list of packet numbers being transmitted. The numbers are queued by the SMC91C95 and provided back to the CPU as their transmission completes.

2) One interrupt per sequence of packets: Enable TX EMPTY INT and TX INT, set AUTO RELEASE=1. TX EMPTY INT is generated only after transmitting the last packet in the FIFO.

TX INT will be set on a fatal transmit error allowing the CPU to know that the transmit process has stopped and therefore the FIFO will not be emptied.

This mode has the advantage of a smaller CPU overhead, and faster memory de-allocation. Note that when AUTO RELEASE=1

the CPU is not provided with the packet numbers that completed successfully.

NOTE: The pointer register is shared by any process accessing the SMC91C95 memory. In order to allow processes to be interruptable, the interrupting process is responsible for reading the pointer value before modifying it, saving it, and restoring it before returning from the interrupt.

Typically there would be three processes using the pointer:

- 1) Transmit loading (sometimes interrupt driven)
- 2) Receive unloading (interrupt driven)
- 3) Transmit Status reading (interrupt driven)

1) and 3) also share the usage of the Packet Number Register. Therefore saving and restoring the PNR is also required from interrupt service routines.

#### **INTERNAL VS. EXTERNAL ATTRIBUTE MEMORY MAP**

The Internal vs. External EPROM attribute memory decodes are shown in Table 11 and Table 12. This allows the designer to not require an external EPROM device if the single or multi-function PCMCIA card needs less than 512 bytes of configuration information. As can be seen in the map, if 512 bytes of CIS or less is required, the nFCS and nFWE output pins of the SMC91C95 need not be used (if serial EEPROM is being used). Internal to the SMC91C95, the memory addressing logic will allow byte or word access on even byte boundaries. This implies that on odd byte address access (A0=1), the SMC91C95 will generate an arbitrary value of Zero (0) since the PCMCIA specification states that the high byte of a word access in attribute memory is a don't care. This allows backward compatibility to 8 bit hosts.



**Table 11 - Attribute Memory Decodes Using Serial EPROM**

<b>ATTRIBUTE MEMORY ADDRESS</b>	<b>EXTERNAL EPROM STORE</b>	<b>INTERNAL SRAM STORE (512 BYTES)</b>	<b>CONFIGURATION REGISTERS</b>
0 - 3FEh		X	
400h-7FFEh	X		
8000h - 803Eh			X

**Table 12 - Attribute Memory Decodes without Serial EPROM**

<b>ATTRIBUTE MEMORY ADDRESS</b>	<b>EXTERNAL EPROM STORE</b>	<b>INTERNAL SRAM STORE (512 BYTES)</b>	<b>CONFIGURATION REGISTERS</b>
0 - 7FFEh	X		
8000h - 803Eh			X

## PCMCIA CONFIGURATION REGISTERS DESCRIPTION

Ethernet Function (Base Address 8000h)

8000h - Ethernet Configuration Option Register (ECOR)

7	6	5	4	3	2	1	0
SRESET	LevIREQ			WRATTRI B	Enable IREQ	Enable Base and Limit	Enable Function
0	1	0	0	0	0	0	0

**BIT 7 - SRESET:** This bit when set will clear all internal registers associated with the Ethernet function except itself.

**BIT 6 - LevIREQ:** This bit is read only and reads as a one to indicate level mode interrupts are used. Pulse mode interrupts are not supported.

**BIT 5 - Not defined**

**BIT 4 - Not defined**

**BIT 3 - WRATTRIB:** This bit when when set (1), allows writing into the external attribute memory space.

**BIT 2 - Enable IREQ Routing:** This bit enables (1) or disables (0) the Ethernet function from asserting nIREQ. The nIREQ pin on power up and RESET is in a high (1) de-asserted state.

**BIT 1 - Enable Base and Limit:** This bit enables the on board I/O base decoder. If set, the on-

board decoder is used to select the function. If cleared, the decoder is disabled and it is assumed that the host provides for the decoding. When the decode is disabled, the function is enabled, and is configured for 16 bits (and not in power-down mode), the signal -IOs16 is always asserted. It is then up to the host to qualify the usage of -IOs16. **For multifunction PCMCIA functionality, this bit must be set.**

**BIT 0 - Enable Function:** This bit enables (1) or disables (0) the Ethernet function. While the Ethernet function is disabled it remains in powerdown mode, no access to the Ethernet I/O space (ie. The bank register are not accessible) is allowed. IREQ is not generated for this function and nINPACK is not returned for accesses to the Ethernet registers.

If the "Magic Packet" function is enabled, the device is not completely powered down. The MAC controller is still enabled to receive.

## 8002h - Ethernet Configuration and Status Register (ECSR)

7	6	5	4	3	2	1	0
		IOLs8			PwrDwn	Intr	IntrACK
0	0	0	0	0	0	0	0

BIT 7 - Not defined

BIT 6 - Not defined

BIT 5 - IOLs8: This bit when set, indicates that the Host can only do 8 bit cycles (on D7-D0). The Ethernet function is forced in this case to eight bit mode regardless of the nEN16 pin and 16BIT value. This bit also disables (floats) the -IOLs16 signal.

BIT 4 - Not defined

BIT 3 - Not defined

BIT 2 - PwrDwn: When set (1), this bit puts the SMC91C95 Ethernet function into powerdown mode. The Ethernet function is also put into powerdown mode when the Enable Function bit (ECOR bit 0) is cleared. Refer to the Powerdown Logic section for additional details as to what logic is powered down.

BIT 1 - Intr: This bit is read/set to a one when this function is requesting interrupt service. It is cleared depending upon the setting of IntrACK.

When this bit and Enable IREQ Routing are set, -IREQOut is asserted.

All setting and resetting of this bit is edge triggered with exception of the internally generated reset signal for the modem / Ethernet related PC card registers. The Intr bit can be reset the following ways and priority ranging from 1=highest to 3=lowest:

- 1) A hardware reset/power up
- 2) The function ie. interrupt source can only reset this field to zero (0) if the IntrACK field is reset to zero (0)
- 3) The host system can only reset this field to a zero (0) only if the IntrACK bit is set to a one (1)

BIT 0 - IntrACK: This bit controls the clearing of the Intr bit. When this bit is cleared, Intr reflects the function's interrupt status. When this bit is set, the Intr bit must be cleared by the host writing a 0 into it. If the function requires additional service the Intr bit will remain asserted when the host writes the 0.

**I/O Base Register 0 & 1 (I/O Base 0 & 1) Address 800Ah & 800Ch**

**800Ah - Ethernet I/O BASE Register 0**

7	6	5	4	3	2	1	0
A7	A6	A5	A4	0	0	0	0
0	0	0	0	0	0	0	0

**800Ch - Ethernet I/O BASE Register 1**

7	6	5	4	3	2	1	0
A15	A14	A13	A12	A11	A10	A9	A8
0	0	0	0	0	0	1	1

The I/O Base registers determine the base address of the I/O range used to access function specific registers. These registers allow the function's registers to be placed anywhere in the host's I/O space. I/O Base 0 contains the low order byte (A7-A0) and I/O Base 1 contains the high order byte (A15-A8). Since the Ethernet function requires 16 I/O locations, bits 3-0 of I/O Base 0 are always 0.

Since only A15 to A4 are decoded by the controller (64K address space), it is up to the host to resolve any conflicts with addressing above 64K. The default decode value is 300h (A9=A8=1, others=0). NOTE: These registers are ignored in ISA mode. These registers are still accessible even if the "Enable Base and Limit) bit in the MCOR is cleared (0).

## Modem Function (Base Address 8020h)

### 8020h - Modem Configuration Option Register (MCOR)

7	6	5	4	3	2	1	0
SRESET	LevIREQ				Enable IREQ	Enable Base and Limit	Enable Function
0	1	0	0	0	0	0	0

BIT 7 - SRESET: This bit when set clears all internal registers associated with the Modem function (except itself) and asserts the nMRESET pin .

BIT 6 - LevIREQ: This bit is read only and reads as a one to indicate level mode interrupts are used. Pulse mode interrupts are not supported.

BIT 5 - Not defined

BIT 4 - Not defined

BIT 3 - Not defined

BIT 2 - Enable IREQ Routing: This bit enables (1) or disables (0) the Modem function from asserting nIREQ.

BIT 1 - Enable Base and Limit: This bit enables the on board modem I/O base decoder. If set, the on-board decoder is used to select the function. If cleared, the decoder is disabled and it is assumed that the host provides for the decoding. When the decode is disabled, the function is enabled, and is configured for 16 bits (and not in power-down mode), the signal - IOIs16 is always asserted. **For multifunction PCMCIA functionality, this bit must be set.**

BIT 0 - Enable Function: This bit enables (1) or disables (0) the Modem function. While the Modem is disabled the SMC91C95 inhibits nMCS, IREQ is not generated for the Modem function and nINPACK is not returned for accesses to the Modem registers.

### 8022h - Modem Configuration and Status Register (MCSR) Address 8022h

7	6	5	4	3	2	1	0
Changed	SigChg	IOIs8	Reserved	Audio	PwrDwn	Intr	IntrACK
0	0	0	0	0	0	0	0

Bit 7 - Changed: This bit is the logical OR of the CREADY/-Bsy and (RINGEVENT bit logically anded with RINGENABLE) states.

Bit 6 - SigChg: If this bit is a one, the function is enabled (configured), the Changed bit controls the nSTSCHG pin. If this bit is low or the function is disabled, the nSTSCHG pin is set to a high.

Bit 5 - IOIs8: This bit when set, indicates that the Host can only do 8 bit cycles (on D7-D0). In the case of the IOIs8 bit being cleared (0), during Reset and Power up for example, the PIN MIS16 will override the IOIs8 default, setting the bit (1).

Bit 4 - ResurvedBit 3 - Audio: This bit controls the audio pass through of the digital audio. When cleared, the SPKROUT pin is three-stated. When set, the SPKRIN pin is passed to the SPKROUT pin.

Bit 2 - PwrDwn: When set (1), this bit puts the modem into powerdown mode. The modem is also put into powerdown mode when the Enable Function bit is cleared. When in powerdown, the MRINGIN signal is blocked from going to the ringing output signal. When taken out of powerdown (when PwrDwn is cleared (1) and Enable Function in the MCOR (bit 0) is set (1)), the modem is awakened by a

pulse on the output ringing signals as appropriate. The pulse duration is determined by the input signal MRINGIN. MRINGIN is then passed to the outputs.

Bit 1 - Intr: This bit is read/set to a one when this function is requesting interrupt service. It is cleared depending upon the setting of IntrACK. When this bit and Enable IREQ Routing are set, -IREQOut is asserted.

The Intr bit can be reset the following ways and priority ranging from 1=highest to 3=lowest:

- 1) A hardware reset/power up
- 2) The function ie. interrupt source can only reset this field to zero (0) if the IntrACK field is reset to zero (0).
- 3) The host system can only reset this field to a zero (0) only if the IntrACK bit is set to a one (1).

Bit 0 - IntrACK: This bit controls the clearing of the Intr bit. When this bit is cleared, Intr reflects the function's interrupt status. When this bit is set, the Intr bit must be cleared by the host writing a 0 into it. If the function requires additional service (indicated by leaving MINT active) the Intr bit will remain asserted when the host writes the 0.

**8024h - Pin Replacement Register (PRR)**

7	6	5	4	3	2	1	0
		Cready/- Bsy				Rready/- Bsy	
0	0	0	0	0	0	1	0

Cready/-Bsy: This bit is set to a one when the bit Rready/-Bsy bit changes state from zero(0) to one(1) or one(1) to zero(0) with the source of the change of state is a change in the modem ready (MRDY) signal. The Cready/-Bsy bit can be written by the CPU also. The CPU attempt to write to this bit is masked by the

value for Rready/Bsy bit. A CPU write to this bit is successful only if the Rready/-Bsy bit is being written as one(1). Note that the h/w represented value of the Rready/-Bsy bit itself is not affected by the write attempt as shown in the following illustration:

CURRENT VALUE		VALUE WRITTEN		NEW VALUE	
Cready/-Bsy	Rready/-Bsy	Cready/-Bsy	Rready/-Bsy	Cready/-Bsy	Rready/Bsy
0	0	1	0	0	0
X	0	1	1	1	0
X	0	0	1	0	0
X	1	1	1	1	1

In the unlikely event that the MRDY changes state at the same time that the nWE signal changes from low to high (ie. writing the register), the value written by the host will have priority over the new state of the MRDY input pin.

Rready/-Bsy: When read, this bit represents the current state of the modem Ready/-Busy (MRDY) signal. Attempts of CPU writes to this bit are ignored.

### 8028h - Extended Status Register(ESR)

7	6	5	4	3	2	1	0
			RINGEVENT				RINGENABLE
0	0	0	0	0	0	0	0

**RINGEVENT:** This bit is latched to a one at the start of each ring frequency cycle (input from ring input from modem, the MRINGIN signal going high). When this bit and RINGENABLE are both set to a one (1), the Changed bit in the MCSR is set to a one(1). This bit is reset if the

host writes a one (1) and the change bit in the MCSR register is unaffected if the host writes a zero (0).

**RINGENABLE:** When set, this bit gates the RINGEVENT into the Changed bit.



**802Ah - Modem I/O BASE Register 0**

7	6	5	4	3	2	1	0
A7	A6	A5	A4	A3	0	0	0
0	0	0	0	0	0	0	0

**802Ch - Modem I/O BASE Register 1**

7	6	5	4	3	2	1	0
A15	A14	A13	A12	A11	A10	A9	A8
0	0	0	0	0	0	1	1

The Modem I/O Base registers determine the base address of the I/O range used to access function specific registers. These registers allow the function's registers to be placed anywhere in the host's I/O space. I/O Base 0 contains the low order byte (A7-A0) and I/O Base 1 contains the high order byte (A15-A8). Since the modem function requires 8 I/O locations, bits 2-0 of I/O

Base 0 are always 0. Since only A15 to A4 are decoded by the controller (64K address space), it is up to the host to resolve any conflicts with addressing above 64K.

These registers are still accessible even if the "Enable Base and Limit" bit in the MCOR is cleared (0).

## 8032h - Modem I/O Size Register

Modem I/O Size Mask							
0	0	0	0	0	1	1	1

The I/O Size Register holds a bit mask used to specify the number of address lines decoded by the Modem function. Each bit in the register represents an I/O address line. A value of one means that the SMC91C95 will not decode the corresponding address line for the Modem function, a value of zero means that the address line will be decoded. If a bit in the register is set to one, all bits of lesser significance in the register must also be set to one.

This register defaults to 7h, that is A0, A1 and A2 are not decoded resulting in 8 address locations for the modem function.

**Modem I/O Space:** Address determined by Modem I/O Base Registers

The Modem I/O space is external to the SMC91C95. The SMC91C95 decodes the address bus (A15 through A3) via an internal comparator and generates nMCS for I/O cycles that decode to the Modem area as defined by the Modem I/O Base Registers. The I/O address space consists of eight (8) 8-bit locations. The

SMC91C95 will tri-state the data bus during Modem I/O space accesses. In ISA mode, nMCS is disabled (1). No address decoding for the modem will be done.

**Ethernet I/O Space:** Address determined by Ethernet I/O Base Registers

The Ethernet I/O space consists of sixteen locations whose base address is determined in PCMCIA mode by the Ethernet I/O Base Registers, and in ISA mode by the default value of the Base Register (either reset or serial EEPROM default in ISA mode only).

The Ethernet I/O space can be configured as an 8 or 16 bit space, and is similar to the SMC91C95, SMC91C92, etc. I/O space. To limit the I/O space requirements to 16 locations, the registers are split into six banks. The last word of the I/O area is shared by all banks and can be used to change the bank in use. Banks 0 through 3 functionally correspond to the SMC91C95 banks, while Banks 4 and 5 allow access to the multifunction registers in ISA mode.

## FUNCTIONAL DESCRIPTION OF THE BLOCKS

### MEMORY MANAGEMENT UNIT

The MMU interfaces the on-chip RAM on one side and the arbiter on the other for address and data flow purposes. For allocation and de-allocation, it interfaces the arbiter only.

The MMU deals with a single ported memory and is not aware of the fact that there are two entities requesting allocation and actually accessing memory. The mapping function done by the MMU is only a function of the packet number accessed and of the offset within that packet being accessed. It is not a function of who is requesting the access or the direction of the access.

To accomplish that, memory accesses as well as MMU allocation and de-allocation requests are arbitrated by the arbiter block before reaching the MMU.

Memory allocation could take some time, but the ALLOC INT bit in Interrupt Status Register is negated immediately upon allocation request, allowing the system to poll that register at any time. Memory de-allocation command completion indication is provided via the BUSY bit, readable through the MMU command register.

The mapping and queuing functions of the MMU rely on the uniqueness of the packet number assigned to the requester. For that purpose the packet number assignment is centralized at the MMU, and a number will not be reused until the memory associated with it is released. It is clear that a packet number should not be released while the number is in the TX or RX packet queue.

The TX and RCV FIFOs are deep enough to handle the total number of packets the MMU

can allocate, therefore there is no need for the programmer or the hardware to check FIFO full conditions.

### ARBITER

The function of the arbiter is to sequence packet RAM accesses as well as MMU requests in such a way that the on-chip single ported RAM and a single MMU can be shared by two parties. One party is the host CPU and the other party is the CSMA/CD block.

The arbiter is address transparent, namely, any address can be accessed at any time. In order to exploit the sequential nature of the access, and minimize the access time on the system side, the CPU cycle is buffered by the Data Register rather than go directly to and from memory. Whenever a write cycle is performed, the data is written into the Data Register and will be written into memory as a result of that operation, allowing the CPU cycle to complete before the arbitration and memory cycle are complete. Whenever a read cycle is performed, the data is provided immediately from the Data Register, without having to arbitrate and complete a memory cycle. The present cycle results in an arbitration request for the next data location. Loading the pointer causes a similar pre-fetch request.

This type of read-ahead and write-behind arbitration allows the controller to have a very fast access time, and would work without wait states for as long as the cycle time spec. is satisfied. The values are 40 ns access time, and 185ns cycle time.

By the same token, CSMA/CD cycles might be postponed. The worst case CSMA/CD latency for arbiter service is one memory cycle.

The arbiter uses the pointer register as the CPU provided address, and the internal DMA address from the CSMA/CD side as the addresses to be provided to the MMU.

The data path routed by the arbiter goes between memory (the data path does not go through the MMU) on one side and either the CPU side bus or the data path of the CSMA/CD core.

The data path between memory and the Data Register is in fact buffered by a small FIFO in each direction. The FIFOs beneath the Data Register can be read and written as bytes or words, in any sequential combination. The presence of these FIFOs makes sure that word transfers are possible on the system bus even if the address loaded into the pointer is odd.

## **BUS INTERFACE**

The bus interface handles the data, address and control interfaces as a superset of the ISA and PCMCIA specifications and allows 8 or 16 bit adapters to be designed with the SMC91C95 with no glue to interface to the ISA or PCMCIA bus.

The functions done in this block are address decoding for I/O and ROM memory (including address relocation support) for ISA, data path routing, sequential memory address support, optional wait state generation, boot ROM support, EEPROM setup function, bus transceiver control, and interrupt generation/selection.

For ISA, I/O address decoding is done by comparing A15-A4 to the I/O BASE address determined in part by the upper byte of the BASE ADDRESS REGISTER, and also requiring that AEN be low. If the above address comparison is satisfied and the SMC91C95 is in 16 bit mode, nIOCS16 will be asserted (low).

A valid comparison does not yet indicate a valid I/O cycle is in progress, as the addresses could be used for a memory cycle, or could even glitch through a valid value. Only when nIORD or nIOWR are activated the I/O cycle begins.

In PCMCIA mode, A4-A15 are ignored for I/O decodes, which rely on the PCMCIA host decoding for the slot. Input A10 for ISA is used as an output (nFWE) for PCMCIA to enable Flash Memory Write for programming the attribute memory. It is valid only when nWE is 0 and COR2 is 1. nA11/nFCS is used to select the Flash Memory Chip.

## **WAIT STATE POLICY**

The SMC91C95 can work on most system buses without having to add wait states. The two parameters that determine the memory access profile are the read access time and the cycle time into the Data Register.

The read access time is 40ns and the cycle time is 185ns. If any one of them does not satisfy the application requirements, wait states should be added.

If the access time is the problem, IOCHRDY should be negated for all accesses to the SMC91C95. This can be achieved by programming the NO WAIT ST bit in the configuration register to 0. The SMC91C95 will negate IOCHRDY for 100ns to 150ns on every access to any register.

If the cycle time is the problem, programming NO WAIT ST as described before will solve it but at the expense of slowing down all accesses. The alternative is to let the SMC91C95 negate IOCHRDY only when the Data Register FIFOs require so. Namely, if NO WAIT ST is set, IOCHRDY will only be negated if a Data Register read cycle starts and there is less than a full word in the read FIFO, or if a

write cycle starts and there is more than two bytes in the write FIFO.

The cycle time is defined as the time between leading edges of read from the Data Register, or equivalently between trailing edges of write to the Data Register. For example, in an ISA system the cycle time of a 16 bit transfer will be at least 2 clocks for the I/O access to the SMC91C95 + one clock for the memory cycle) = 3 clocks. In absolute time it means 375ns for a 8MHz bus, and 240ns for a 12.5 MHz bus.

The cycle time will not increase when configured for full duplex mode, because the CSMA/CD memory arbitration requests are sequenced by the DMA logic and never overlap.

### **DMA BLOCK**

The DMA block resides between the CSMA/CD block and the arbiter. It can interface both the data path and the control path of the CSMA/CD block for different operations.

Its functions include the following:

- Start transmission process into the CSMA/CD block.
- Generate CSMA/CD side addresses for accessing memory during transmit and receive operations.
- Generate MMU memory requests and verify success.
- Compute byte count and write it in first locations of receive packet.
- Write transmit status word in first locations of transmit packet.
- Determine if enough memory is available for reception.
- De-allocate transmit memory after suitable completion.
- De-allocate receive memory upon error conditions.

- Initiate retransmissions upon collisions (if less than 16 retries).
- Terminate reception and release memory if packet is too long.

The specific nature of each operation and its trigger event are:

- 1) TX operations will begin if TXENA is set and TX FIFO is not empty. The DMA logic does not need to use the TX PACKET NUMBER, it goes directly from the FIFO to the MMU. However the DMA logic controls the removal of the PACKET NUMBER from the FIFO.
- 2) Generation of CSMA/CD side addresses into memory: Independent 11 bit counters are kept for transmit and receive in order to allow full-duplex operation.
- 3) MMU requests for allocation are generated by the DMA logic upon reception. The initial allocation request is issued when the CSMA block indicates an active reception. If allocation succeeds, the DMA block stores the packet number assigned to it, and generates write arbitration requests for as long as the CSMA/CD FIFO is not empty. In parallel the CSMA/CD completes the address filtering and notifies the DMA of an address match. If there is no address match, the DMA logic will release the allocated memory and stop reception.
- 4) When the CSMA/CD block notifies the DMA logic that a receive packet was completed, if the CRC is OK, the DMA will either write the previously stored packet number into the RX PACKET NUMBER FIFO (to be processed by the CPU), or if the CRC is bad the DMA will just issue a release command to the MMU (and the CPU will never see that packet).

Packets with bad CRC can be received if the RCV\_BAD bit in the configuration register is set.

- 5) If AUTO\_RELEASE is set, a release is issued by the DMA block to the MMU after a successful transmission (TX\_SUCC set), and the TX completion FIFO is clocked together with the TX FIFO preventing the packet number from moving into the TX completion FIFO.
- 6) Based on the RX counter value, if a receive packet exceeds 1532 bytes, reception is stopped by the DMA and the RX ABORT bit in the Receive Control Register is set. The memory allocated to the packet is automatically released.
- 7) If an allocation fails, the CSMA/CD block will activate RX\_OVRN upon detecting a FIFO full condition. RXEN will stay active to allow reception of subsequent packets if memory becomes available. The CSMA/CD block will flush the FIFO upon the new frame arrival.

### PACKET NUMBER FIFOS

The transmit packet FIFO stores the packet numbers awaiting transmission, in the order they were enqueued. The FIFO is advanced (written) when the CPU issues the "enqueue packet number command", the packet number to be written is provided by the CPU via the Packet Number Register. The number was previously obtained by requesting memory allocation from the MMU. The FIFO is read by the DMA block when the CSMA/CD block is ready to proceed on to the next transmission. By reading the TX EMPTY INT bit the CPU can determine if this FIFO is empty.

The transmit completion FIFO stores the packet numbers that were already transmitted but not yet acknowledged by the CPU. The CPU can read the next packet number in this FIFO from

the Fifo Ports Register. The CPU can remove a packet number from this FIFO by issuing a TX INT acknowledge. The CPU can determine if this FIFO is empty by reading the TX INT bit or the Fifo Ports Register.

The receive packet FIFO stores the packet numbers already received into memory, in the order they were received. The FIFO is advanced (written) by the DMA block upon reception of a complete valid packet into memory. The number is determined the moment the DMA block first requests memory from the MMU for that packet. The first receive packet number in the FIFO can be read via the Fifo Ports Register, and the data associated with it can be accessed through the receive area. The packet number can be removed from the FIFO with or without an automatic release of its associated memory.

The FIFO is read out upon CPU command (remove packet from top of RX FIFO, or remove and release command) after processing the receive packet in the receive area.

The width of each FIFO is 5 bits per packet number. The depth of each FIFO equals the number of packets the SMC91C95 can handle (18).

The guideline is software transparency; the software driver should not be aware of different devices or FIFO depths. If the MMU memory allocation succeeded, there will be room in the transmit FIFO for enqueueing the packet. Conversely if there is free memory for receive, there should be room in the receive FIFO for storing the packet number.

Note that the CPU can enqueue a transmit command with a packet number that does not follow the sequence in which the MMU assigned packet numbers. For example, when a transmission failed and it is retried in software, or when a receive packet is modified and sent back to the network.

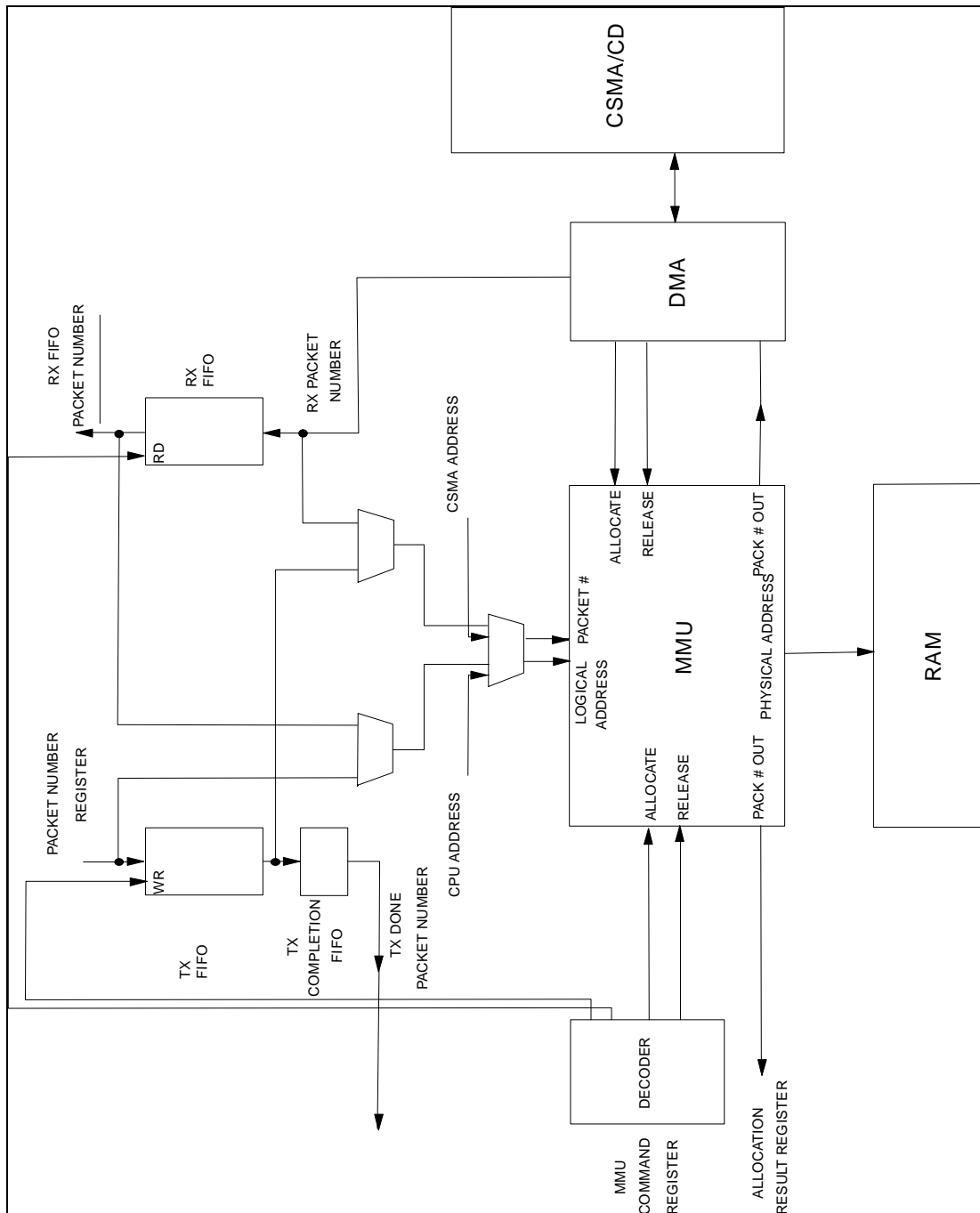


FIGURE 16 - MMU PACKET NUMBER FLOW AND RELEVANT REGISTERS

## CSMA BLOCK

The CSMA/CD block is first interfaced via its control registers in order to define its operational configuration. From then on, the DMA interface between the CSMA/CD block and memory is used to transfer data to and from its data path interface.

For transmit, the CSMA/CD block will be asked to transmit frames as soon as they are ready in memory. It will continue transmissions until any of the following transmit error occurs:

- a) 16 collisions on same frame (half duplex mode)
- b) Late collision (half duplex mode)
- c) Lost Carrier sense and MON\_CSN set
- d) Transmit Under run
- e) SQET error and STP\_SQET set

In that case TXENA will be cleared and the CPU should restart the transmission by setting it again. If a transmission is successful, TXENA stays set and the CSMA/CD is provided by the DMA block with the next packet to be transmitted.

For receive, the CPU sets RXEN as a way of starting the CSMA/CD block receive process. The CSMA/CD block will send data after address filtering through the data path to the DMA block. Data is transferred into memory as it is received, and the final check on data acceptance is the CRC checking done by the CSMA/CD block. In any case, the DMA takes care of requesting/releasing memory for receive packets, as well as generating the byte count.

The receive status word is provided by the CSMA/CD block and written in the first location of the receive structure by the DMA block. If configured for storing CRC in memory, the CSMA/CD unit will transfer the CRC bytes through the DMA interface, and then will be treated like regular data bytes.

Note that the receive status word of any packet is available only through memory and is not readable through any other register. In order to let the CPU know about receive overruns, the RX\_OVRN bit is latched into the Interrupt Status Register, which is readable by the CPU at any time.

The address filtering is done inside the CSMA/CD block. A packet will be received if the destination address is broadcast, or if it is addressed to the individual address of the SMC91C95, or if it is a multicast address and ALMUL bit is set, or if it is a multicast address matching one of the multicast table entries. If the PRMS bit is set, all packets are received.

The CSMA/CD block is a full duplex machine, and when working in full duplex mode, the CSMA/CD block will be simultaneously using its data path transmit and receive interfaces.

Statistical counters are kept by the CSMA/CD block, and are readable through the appropriate register. The counters are four bits each, and can generate an interrupt when reaching their maximum values. Software can use that interrupt to update statistics in memory, or it can keep the counter interrupt disabled, while relying on the transmit interrupt routine reading the counters. Given that the counters can increment only once per transmit, this technique is a good complement for the single interrupt per sequence strategy.

The interface between the CSMA/CD block and memory is word oriented. Two bi-directional FIFOs make the data path interface.

Whenever a normal collision occurs (less than 16 retries - half duplex mode), the CSMA/CD will trigger the backoff logic and will indicate the DMA logic of the collision. The DMA is responsible for restarting the data transfer into the CSMA/CD block regardless of whether the collision happened on the preamble or not.



Only when 16 retries are reached, the CSMA/CD block will clear the TXENA bit, and CPU intervention is required. The DMA will not automatically restart data transfer in this case, nor will it transmit the next enqueued packet until TXENA is set by the CPU. The DMA will move the packet number in question from the TX FIFO into the TX completion FIFO.

## NETWORK INTERFACE

The SMC91C95 includes both an AUI interface for thick and thin coax applications and a 10BASE-T interface for twisted pair applications. Functions common to both are:

1. Manchester encoder/decoder to convert NRZ data to Manchester encoded data and back.
2. A 32 ms jabber timer to prevent inadvertently long transmissions. When 'jabbing' occurs, the transmitter is disabled, automatic loopback is disabled (in 10BASE-T mode), and a collision indication is given to the controller. The interface 'unjabs' when the transmitter has been idle for a minimum of 256 ms.
3. A phase-lock loop to recover data and clock from the Manchester data stream with up to plus or minus 18ns of jitter.
4. Diagnostic loopback capability.
5. LED drivers for collision, transmission, reception, and jabber.

## 10BASE-T

The 10BASE-T interface conforms to the twisted pair MAU addendum to the 802.3 specification. On the transmission side, it converts the NRZ data from the controller to Manchester data and provides the appropriate signal level for driving the media. Signal are predistorted before transmission to minimize ISI. In half duplex mode, the collision detection circuitry monitors the simultaneous occurrence of received signals and transmitted data on the media. During

transmission, data is automatically looped back to the receiver except during collision periods, in which case the input to the receiver is network data. During collisions, should the receive input go idle prior to the transmitter going idle, input to the receiver switches back to the transmitter within 9 bit times. Following transmission, the transmitter performs a SQE test. This test exercises the collision detection circuitry within the 10BASE-T interface.

In full duplex mode, carrier sense is asserted during receive activity only. The receiver monitors the media at all times. It recovers the clock and data and passes it along to the controller. In the absence of any receive activity, the transmitter is looped back to the receiver. In addition, the receiver performs automatic polarity correction. The 10BASE-T interface performs link integrity tests per section 14.2.1.7 of 802.3, using the following values:

1. Link\_loss\_timer: 64 ms
2. Link\_test\_min\_timer: 4 ms
3. Link\_count: 2
4. Link\_test\_max\_timer: 64 ms

The state of the link is reflected in the EPHSR.

## AUI

The SMC91C95 also provides a standard 6 wire AUI interface to a coax transceiver.

## PHYSICAL INTERFACE

The internal physical interface (PHY) consists of an encoder/decoder (ENDEC) and an internal 10BASE-T transceiver. The ENDEC also provides a standard 6-pin AUI interface to an external coax transceiver for 10BASE-T and 10BASE-5 applications. The signals between MAC and the PHY can be routed to pins by asserting the nXENDEC pin low. This feature allows the interface to an external ENDEC and transceiver. The PHY functions

can be divided into transmit and receive functions.

## Transmit Functions

### Manchester Encoding

The PHY encodes the transmit data received from the MAC. The encoded data is directed internally to the selected output driver for transmission over the twisted-pair network or the AUI cable. Data transmission and encoding is initiated by the Transmit Enable input, TXE, going low.

### Transmit Drivers

The encoded transmit data passes through to the transmit driver pair, TPETXP(N), and its complement, TPETXDP(N). Each output of the transmit driver pair has a source resistance of 10 ohms maximum and a current rating of 25 mA maximum. The degree of predistortion is determined by the termination resistors; the equivalent resistance should be 100 ohms.

### Jabber Function

This integrated function prevents the DTE from locking into a continuous transmit state. In 10BASE-T mode, if transmission continues beyond the specified time limit, the jabber function inhibits further transmission and asserts the collision indicator nCOLL. The limits for jabber transmission are 20 to 15 ms in 10BASE-T mode. In the AUI mode, the jabber function is performed by the external transceiver.

### SQE Function

In the 10BASE-T mode, the PHY supports the signal quality error (SQE) function. At the end of a transmission, the PHY asserts the nCOLL signal for 10+/-5 bit times beginning 0.6 to 1.6ms after the last positive transition of a transmitted frame. In the AUI mode, the SQE

function is performed by the external transceiver.

## Receive Functions

### Receive Drivers

Differential signals received off the twisted-pair network or AUI cable are directed to the internal clock recovery circuit prior to being decoded for the MAC.

### Manchester Decoder and Clock Recovery

The PHY performs timing recovery and Manchester decoding of incoming differential signals in 10BASE-T or AUI modes, with its built-in phase-lock loop (PLL). The decoded (NRZ) data, RXD, and the recovered clock, RXCLK, becomes available to the MAC, typically within 9 bit times (5 for AUI) after the assertion of nCRS. The receive clock, RXCLK, is phase-locked to the transmit clock in the absence of a received signal (idle).

### Squelch Function

The integrated smart squelch circuit employs a combination of amplitude and timing measurements to determine the validity of data received off the network. It prevents noise at the differential inputs from falsely triggering the decoder in the absence of valid data or link test pulses. Signal levels below 300mV (180mV for AUI) or pulse widths less than 15ns at the differential inputs are rejected. Signals above 585mV (300mV for AUI) and pulse widths greater than 30ns will be accepted. When using the extended cable mode with 10BASE-T media which extends beyond the standard limit of 100 meters, the squelch level can optionally be set to reject signals below 180mV and accept signals above 300mV. If the input signal exceeds the squelch requirements, the carrier sense output, nCRS, is asserted.

### Reverse Polarity Function

In the 10BASE-T mode, the PHY monitors for receiver polarity reversal due to crossed wires and corrects by reversing the signal internally.

### Collision Detection Function

In the 10BASE-T mode, while in half duplex, a collision state is indicated when there are simultaneous transmissions and receptions on the twisted pair link. During a collision state, the nCOLL signal is asserted. If the received data ends and the transmit control signal is still active, the transmit data is sent to the MAC within 9 bit times. The nnCOLL signal is de-asserted within 9 bit times after the collision terminates. In the AUI mode, the external

transceiver sends a 10MHz signal to the PHY upon detection of a collision.

### Link Integrity

The PHY test for a faulty twisted-pair link. In the absence of transmit data, link test pulses are transmitted every 16+/-18ms after the end of the last transmission or link pulse on the twisted pair medium. If neither valid data nor link test pulses are received within 10 to 150ms, the link is declared bad and both data transmission as well as the operational loopback function are disabled. The Link Integrity function can be disabled for pre-10BASE-T twisted-pair networks.

## BOARD SETUP INFORMATION

### ISA MODE

The following parameters are obtained from the EEPROM as board setup information:

ETHERNET INDIVIDUAL ADDRESS  
I/O BASE ADDRESS  
ROM BASE ADDRESS  
8/16 BIT ADAPTER  
10BASE-T or AUI INTERFACE  
INTERRUPT LINE SELECTION

All the above mentioned values are read from the EEPROM upon hardware reset. Except for the INDIVIDUAL ADDRESS, the value of the IOS switches determines the offset within the EEPROM for these parameters, in such a way that many identical boards can be plugged into the same system by just changing the IOS jumpers.

In order to support a software utility based installation, even if the EEPROM was never programmed, the EEPROM can be written using the SMC91C95. One of the IOS combination is associated with a fixed default value for the key parameters (I/O BASE, ROM BASE, INTERRUPT) that can always be used regardless of the EEPROM based value being programmed. This value will be used if all IOS pins are left open or pulled high.

The EEPROM is arranged as a 64 x 16 array. The specific target device is the 9346 1024-bit Serial EEPROM. All EEPROM accesses are done in words. All EEPROM addresses shown are specified as word addresses.

REGISTER	EEPROM WORD ADDRESS
Configuration Register	IOS Value * 4
Base Register	(IOS Value *4) + 1

INDIVIDUAL ADDRESS 20-22 hex

If IOS2-IOS0=7, only the INDIVIDUAL ADDRESS is read from the EEPROM. Currently assigned values are assumed for the other registers. These values are default if the EEPROM read operation follows hardware reset.

The EEPROM SELECT bit is used to determine the type of EEPROM operation: a) normal or b) general purpose register.

a) NORMAL EEPROM OPERATION - EEPROM SELECT bit = 0

On EEPROM read operations (after reset or after setting RELOAD high) the CONFIGURATION REGISTER and BASE REGISTER are updated with the EEPROM values at locations defined by the IOS2-0 pins. The INDIVIDUAL ADDRESS registers are updated with the values stored in the INDIVIDUAL ADDRESS area of the EEPROM.

On EEPROM write operations (after setting the STORE bit) the values of the CONFIGURATION REGISTER and BASE

REGISTER are written in the EEPROM locations defined by the IOS2-0 pins.

The three least significant bits of the CONTROL REGISTER (EEPROM SELECT, RELOAD and STORE) are used to control the EEPROM. Their values are not stored nor loaded from the EEPROM.

b) GENERAL PURPOSE REGISTER - EEPROM SELECT bit = 1

On EEPROM read operations (after setting RELOAD high) the EEPROM word address defined by the POINTER REGISTER 6 least significant bits is read into the GENERAL PURPOSE REGISTER.

On EEPROM write operations (after setting the STORE bit) the value of the GENERAL PURPOSE REGISTER is written at the EEPROM word address defined by the POINTER REGISTER 6 least significant bits.

RELOAD and STORE are set by the user to initiate read and write operations respectively. Polling the value until read low is used to determine completion. When an EEPROM access is in progress the STORE and RELOAD bits of CTR will readback as both bits high. No other bits of the SMC91C95 can be read or written until the EEPROM operation completes and both bits are clear. This mechanism is also valid for reset initiated reloads.

NOTE: If no EEPROM is connected to the SMC91C95, for example for some embedded applications, the ENEEP pin should be grounded and no accesses to the EEPROM will be attempted. Configuration, Base, and Individual Address assume their default values upon hardware reset and the CPU is responsible for programming them for their final value.

## DIAGNOSTIC LEDs

The following LED drive signals are available for diagnostic and installation aid purposes:

nTXLED - Activated by transmit activity.

nBSELED - Board select LED. Activated when the board space is accessed, namely on accesses to the SMC91C95 register space or the ROM area decoded by the SMC91C95. The signal is stretched to 125 msec.

nRXLED - Activated by receive activity.

nLINKLED - Reflects the link integrity status.

## ARBITRATION CONSIDERATIONS

The arbiter exploits the sequential nature of the CPU accesses to provide a very fast access time. Memory bandwidth considerations will have an effect on the CPU cycle time but no effect on access time.

For normal 8 MHz, 10 MHz and 12.5 MHz ISA buses as well as EISA normal cycles the SMC91C95 can be accessed without negating ready.

When write operations occur, the data is written into a FIFO. The CPU cycle can complete immediately, and the buffered data will be written into memory later. The memory arbitration request is generated as a function of that FIFO being not empty. The nature of the cycle requested (byte/word) is determined by the lsb of the pointer and the number of bytes in the FIFO.

When read operations occur, words are pre-fetched upon pointer loading in order to have at least a word ready in the FIFO to be read. New pre-fetch cycles are requested as a function of the number of bytes in the FIFO.

For example, if an odd pointer value is loaded, first a byte is pre-fetched into the FIFO, and immediately a full word is pre-fetched completing three bytes into the FIFO. If the CPU reads a word, one byte will be left again a new word is pre-fetched.

In the case of write, if an odd pointer value is loaded, and a full word is written, the FIFO holds two bytes, the first of which is immediately written into an odd memory location. If by that time another byte or

word was written, there will be two or three bytes in the FIFO and a full word can be written into the now even memory address.

When a CSMA/CD cycle begins, the arbiter will route the CSMA/CD DMA addresses to the MMU as well as the packet number associated with the operation in progress. In full-duplex mode, receive and transmit requests are alternated in such a way that the CPU arbitration cycle time is not affected.

IOS2-0	WORD ADDRESS	16 BITS	
		CONFIGURATION REG.	BASE REG.
000	0h	CONFIGURATION REG.	
	1h		BASE REG.
001	4h	CONFIGURATION REG.	
	5h		BASE REG.
010	8h	CONFIGURATION REG.	
	9h		BASE REG.
011	Ch	CONFIGURATION REG.	
	Dh		BASE REG.
100	10h	CONFIGURATION REG.	
	11h		BASE REG.
101	14h	CONFIGURATION REG.	
	15h		BASE REG.
110	18h	CONFIGURATION REG.	
	19h		BASE REG.
XXX	20h		IA0-1
	21h		IA2-3
	22h		IA4-5

**FIGURE 17 - 64 X 16 SERIAL EEPROM MAP FOR ISA MODE**

## OPERATIONAL DESCRIPTION

### MAXIMUM GUARANTEED RATINGS\*

Operating Temperature Range .....	0° C to +70° C
Storage Temperature Range .....	-55° C to +150° C
Lead Temperature Range (soldering, 10 seconds) .....	+325° C
Positive Voltage on any pin, with respect to Ground .....	V <sub>CC</sub> + 0.3V
Negative Voltage on any pin, with respect to Ground .....	-0.3V
Maximum V <sub>CC</sub> .....	+7V

\*Stresses above those listed above could cause permanent damage to the device. This is a stress rating only and functional operation of the device at any other condition above those indicated in the operation sections of this specification is not implied.

Note: When powering this device from laboratory or system power supplies, it is important that the Absolute Maximum Ratings not be exceeded or device failure can result. Some power supplies exhibit voltage spikes on their outputs when the AC power is switched on or off. In addition, voltage transients on the AC power line may appear on the DC output. If this possibility exists, it is suggested that a clamp circuit be used.

### DC ELECTRICAL CHARACTERISTICS (T<sub>A</sub> = 0° C - 70° C, V<sub>CC</sub> = +5.0 V ± 10%)

PARAMETER	SYMBOL	MIN	TYP	MAX	UNITS	COMMENTS
<b>I Type Input Buffer</b>						
Low Input Level	V <sub>ILI</sub>			0.8	V	TTL Levels
High Input Level	V <sub>IHI</sub>	2.0			V	
<b>IS Type Input Buffer</b>						
Low Input Level	V <sub>ILIS</sub>			0.8	V	Schmitt Trigger
High Input Level	V <sub>IHIS</sub>	2.2			V	Schmitt Trigger
Schmitt Trigger Hysteresis	V <sub>HYS</sub>		250		mV	
<b>I<sub>CLK</sub> Input Buffer</b>						
Low Input Level	V <sub>ILCK</sub>			0.4	V	
High Input Level	V <sub>IHCK</sub>	3.0			V	



PARAMETER	SYMBOL	MIN	TYP	MAX	UNITS	COMMENTS
<b>Input Leakage</b> (All I and IS buffers except pins with pullups/pulldowns)						
Low Input Leakage	$I_{IL}$	-10		+10	$\mu\text{A}$	$V_{IN} = 0$
High Input Leakage	$I_{IH}$	-10		+10	$\mu\text{A}$	$V_{IN} = V_{CC}$
<b>IP Type Buffers</b>						
Input Current	$I_{IL}$	-150	-75		$\mu\text{A}$	$V_{IN} = 0$
<b>ID Type Buffers</b>						
Input Current	$I_{IH}$		+75	+150	$\mu\text{A}$	$V_{IN} = V_{CC}$
<b>I/04 Type Buffer</b>						
Low Output Level	$V_{OL}$			0.4	V	$I_{OL} = 4 \text{ mA}$
High Output Level	$V_{OH}$	2.4			V	$I_{OH} = -2 \text{ mA}$
Output Leakage	$I_{OL}$	-10		+10	$\mu\text{A}$	$V_{IN} = 0 \text{ to } V_{CC}$
<b>I/024 Type Buffer</b>						
Low Output Level	$V_{OL}$			0.5	V	$I_{OL} = 24 \text{ mA}$
High Output Level	$V_{OH}$	2.4			V	$I_{OH} = -12 \text{ mA}$
Output Leakage	$I_{OL}$	-10		+10	$\mu\text{A}$	$V_{IN} = 0 \text{ to } V_{CC}$
<b>024 Type Buffer</b>						
Low Output Level	$V_{OL}$			0.5	V	$I_{OL} = 24 \text{ mA}$
High Output Level	$V_{OH}$	2.4			V	$I_{OH} = -12 \text{ mA}$
Output Leakage	$I_{OL}$	-10		+10	$\mu\text{A}$	$V_{IN} = 0 \text{ to } V_{CC}$
<b>04 Type Buffer</b>						
Low Output Level	$V_{OL}$			0.4	V	$I_{OL} = 4 \text{ mA}$
High Output Level	$V_{OH}$	2.4			V	$I_{OH} = -2 \text{ mA}$
Output Leakage	$I_{OL}$	-10		+10	$\mu\text{A}$	$V_{IN} = 0 \text{ to } V_{CC}$

PARAMETER	SYMBOL	MIN	TYP	MAX	UNITS	COMMENTS
<b>OD16 Type Buffer</b>						
Low Output Level	$V_{OL}$			0.5	V	$I_{OL} = 16 \text{ mA}$
Output Leakage	$I_{OL}$	-10		+10	$\mu\text{A}$	$V_{IN} = 0 \text{ to } V_{CC}$
<b>OD162 Type Buffer</b>						
Low Output Level	$V_{OL}$			0.5	V	$I_{OL} = 16 \text{ mA}$
High Output Level	$V_{OH}$	2.4			V	$I_{OH} = -2 \text{ mA}$
Output Leakage	$I_{OL}$	-10		+10	$\mu\text{A}$	$V_{IN} = 0 \text{ to } V_{CC}$
<b>OD24 Type Buffer</b>						
Low Output Level	$V_{OL}$			0.5	V	$I_{OL} = 24 \text{ mA}$
Output Leakage	$I_{OL}$	-10		+10	$\mu\text{A}$	$V_{IN} = 0 \text{ to } V_{CC}$
Supply Current Active	$I_{CC}$		60	95	mA	All outputs open
Supply Current Standby	$I_{CSBY}$		8		mA	

CAPACITANCE  $T_A = 25^\circ\text{C}$ ;  $f_c = 1\text{MHz}$ ;  $V_{CC} = 5\text{V}$

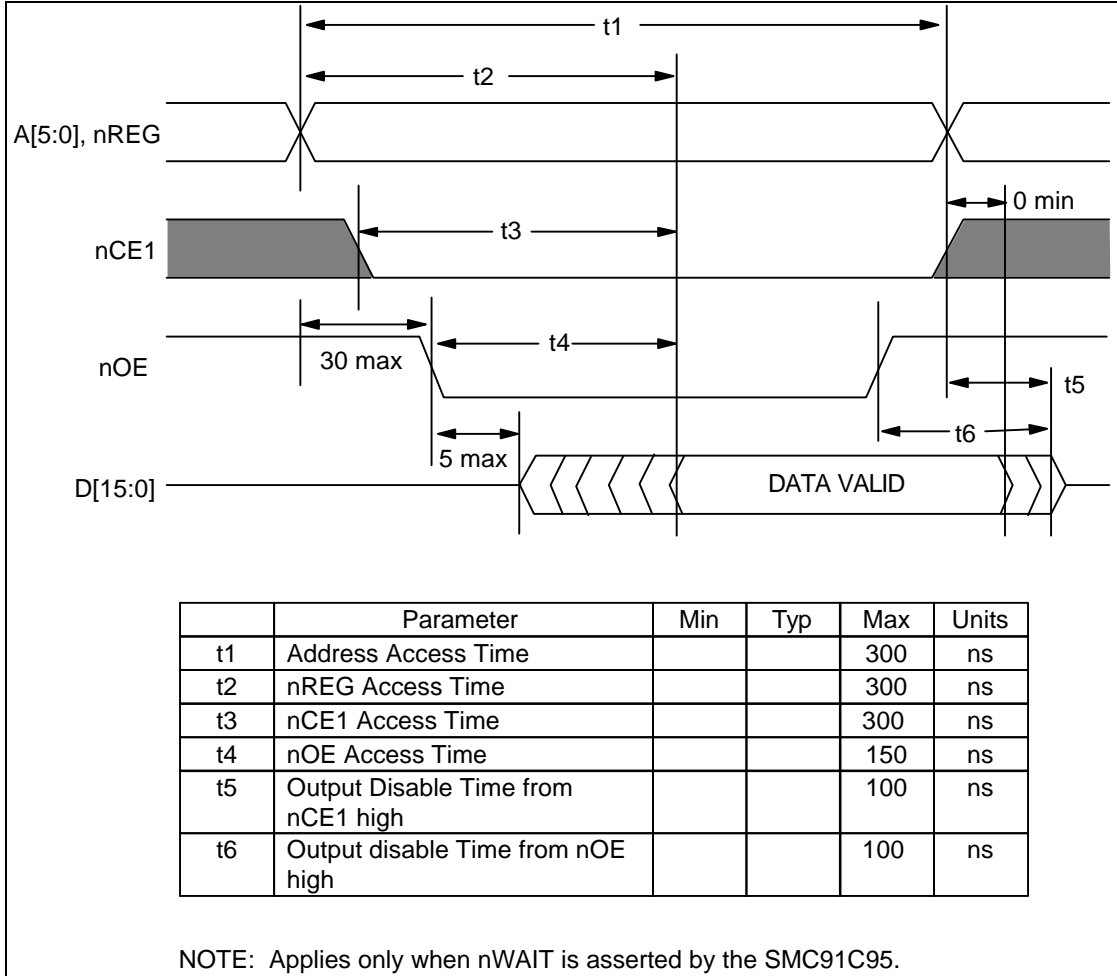
PARAMETER	SYMBOL	LIMITS			UNIT	TEST CONDITION
		MIN	TYP	MAX		
Clock Input Capacitance	$C_{IN}$			20	pF	All pins except pin under test tied to AC ground
Input Capacitance	$C_{IN}$			10	pF	
Output Capacitance	$C_{OUT}$			20	pF	

PARAMETER	MIN	TYP	MAX	UNITS
<b>10BASE-T</b>				
Receiver Threshold Voltage		100		mV
Receiver Squelch	300	400	585	mV
Receiver Common Mode Range	0		V <sub>DD</sub>	
Transmitter Output: Voltage	±2	±2.5	±3	V
Source Resistance			10	ohms
Transmitter Output DC Offset			50	mV
Transmitter Backswing Voltage to Idle			100	mV
Differential Input Voltage	±0.585		±3	V
<b>AUI</b>				
Receiver Threshold Voltage		60		mV
Receiver Squelch	180	240	300	mV
Receiver Common Mode Range	0		V <sub>DD</sub>	
Transmitter Output Voltage (R=78Ω)	±0.45	±0.85	±1.2	V
Transmitter Backswing Voltage to Idle			100	mV
Input Differential Voltage	±0.3		±1.2	V
Output Short Circuit (to V <sub>CC</sub> or GND) Current			±150	mV
Differential Idle Voltage (measured 8.0 μs after last positive transition of data frame)			±40	mV

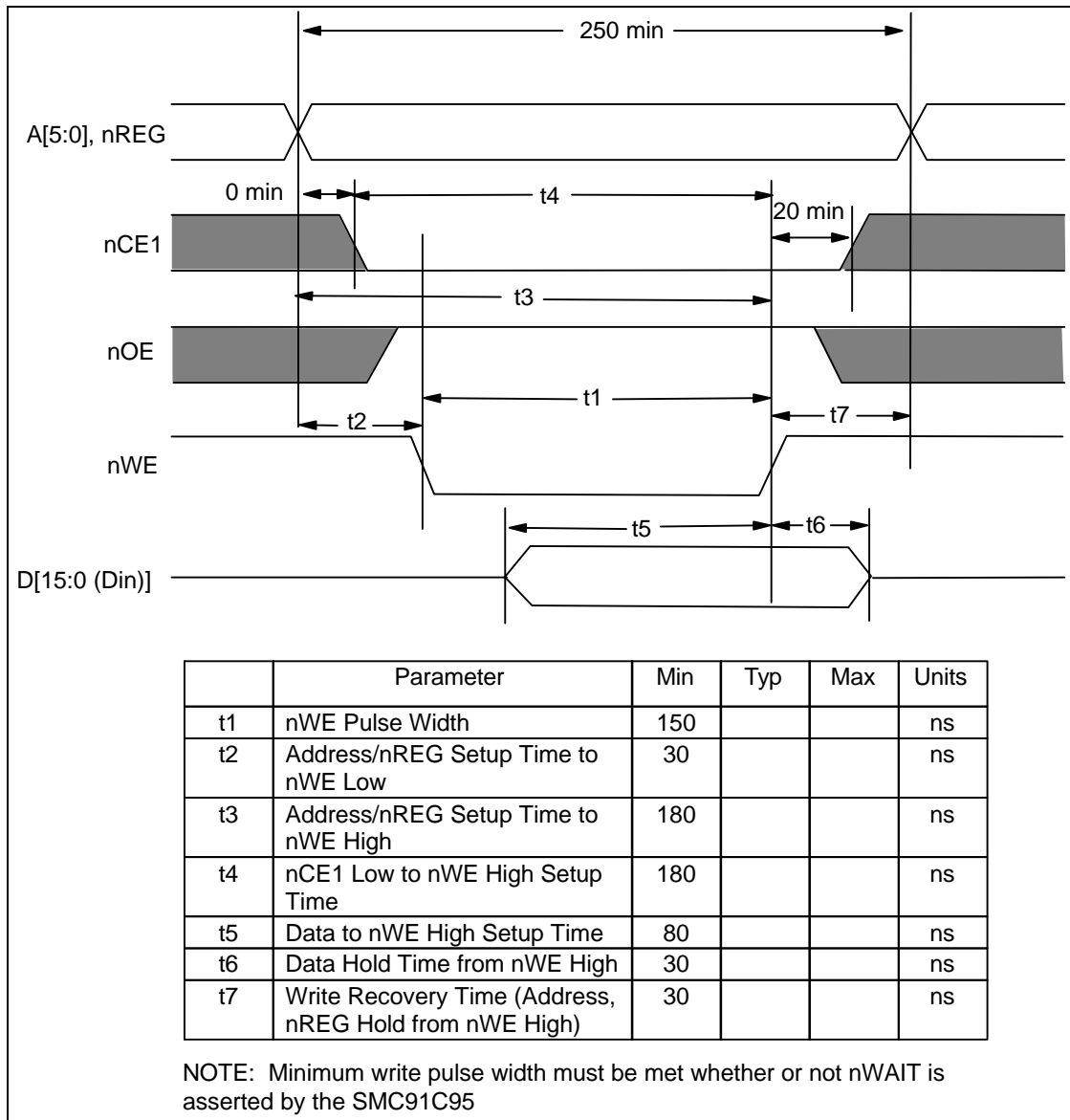
#### CAPACITIVE LOAD ON OUTPUTS

nIOCS16, IOCHRDY	240 pF
INTRO-INTR3	120 pF
All other outputs	45 pF

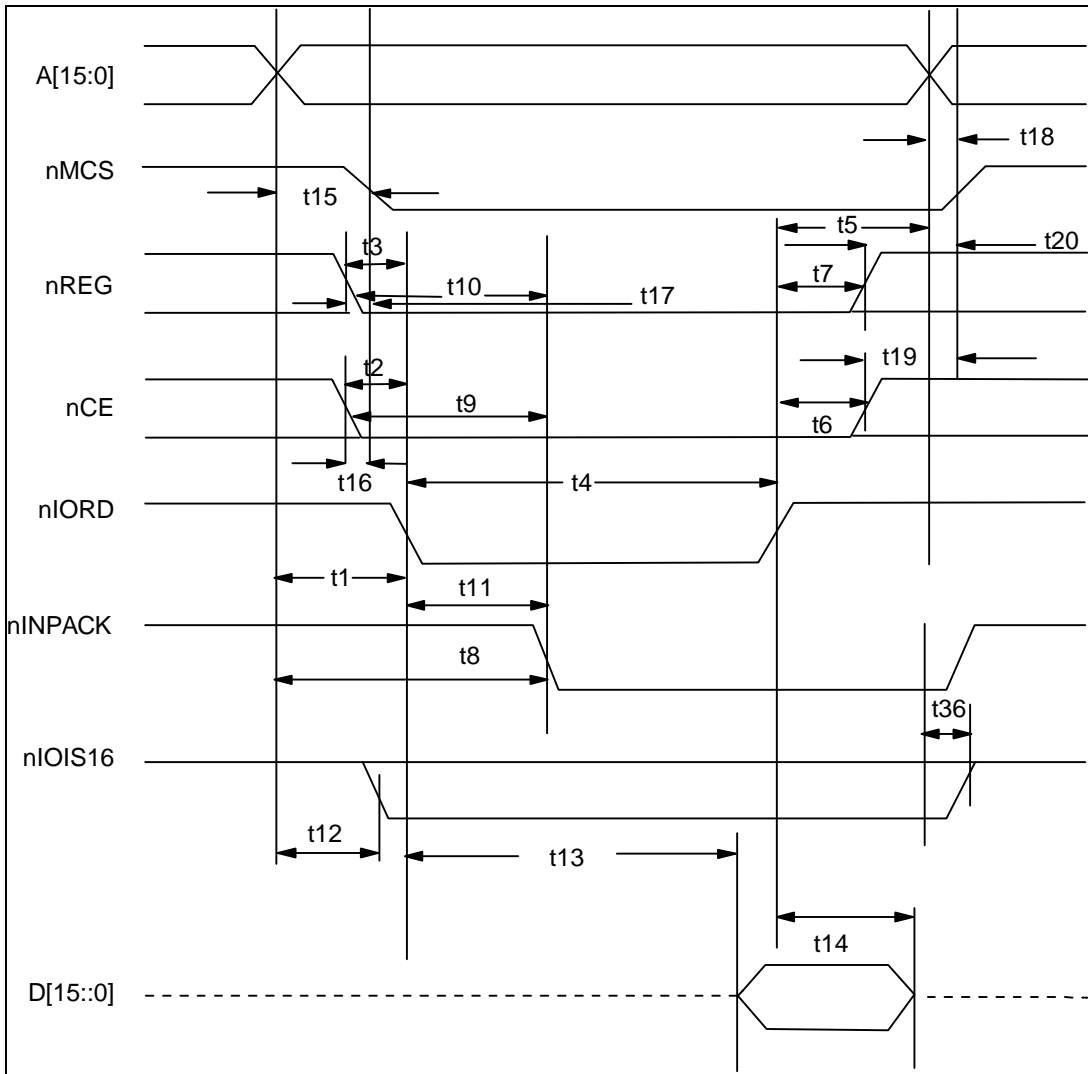
## TIMING DIAGRAMS



**FIGURE 18 - PCMCIA MEMORY READ TIMING**

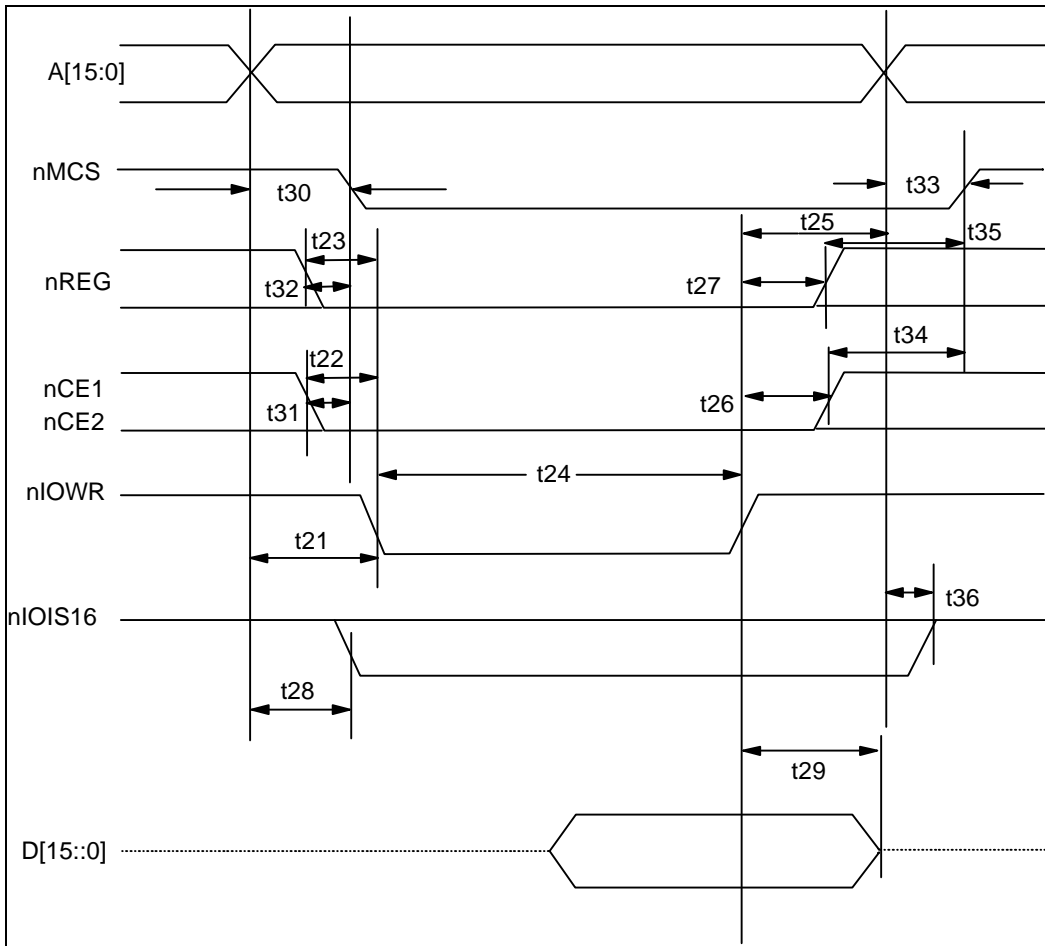


**FIGURE 19 - PCMCIA MEMORY WRITE TIMING**



**FIGURE 20 - I/O READ TIMING**  
 (Table on the following page)

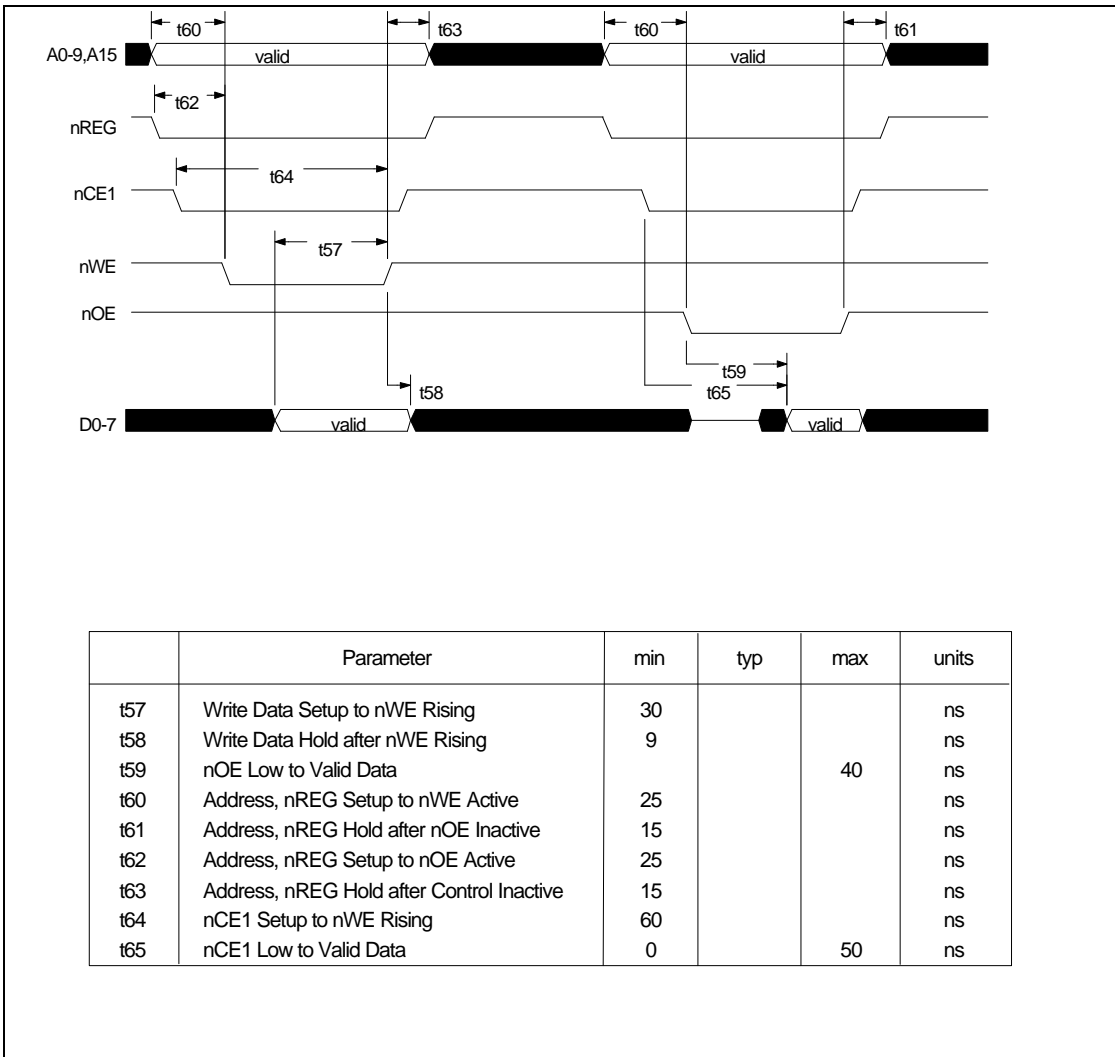
	<b>Parameter</b>	<b>Min</b>	<b>Typ</b>	<b>Max</b>	<b>Units</b>
t1	Address setup before nIORD low	70			ns
t2	nCE1, nCE2 setup before nIORD low	5			ns
t3	nREG setup before nIORD low	5			ns
t4	nIORD low width	165			ns
t5	Address hold from nIORD high	20			ns
t6	nCE1, nCE2 hold following nIORD high	20			ns
t7	nREG hold following nIORD high	0			ns
t8	Address valid to nINPACK low			115	ns
t9	nCE1, nCE2 low to nINPACK low			50	ns
t10	nREG low to nINPACK low			50	ns
t11	nIORD low to nINPACK low			45	ns
t12	Address valid to nIOIs16 valid			35	ns
t13	nIORD low to data valid			100	ns
t14	Data hold following nIORD	0			ns
t36	nIOIs16 delay from address			35	ns
t15	Address valid to nMCS low			20	ns
t16	nCE1 low to nMCS low			40	ns
t17	nREG low to nMCS low			40	ns
t18	Address invalid to nMCS high			100	ns
t19	nCE1 high to nMCS high			40	ns
t20	nREG high to nMCS high			40	ns



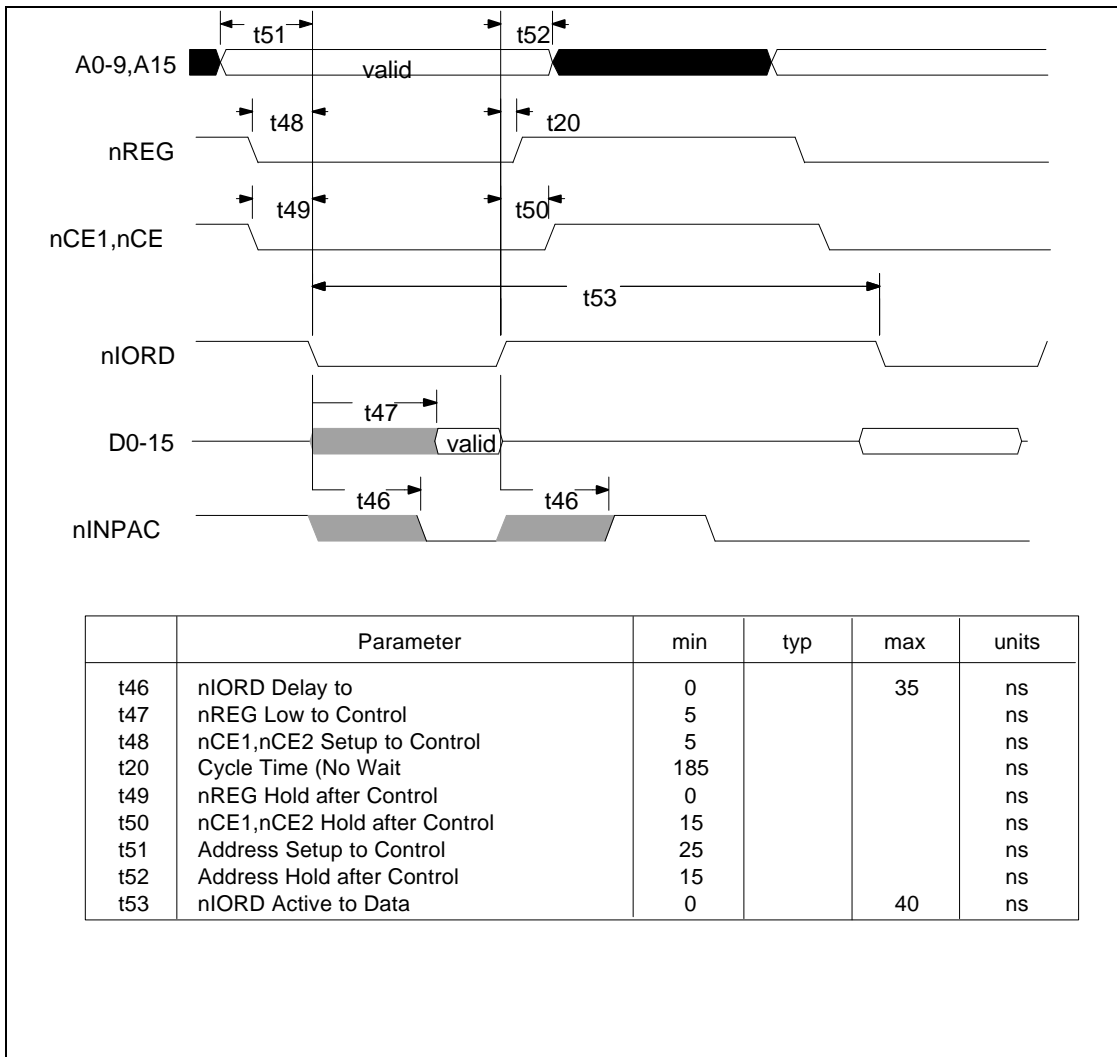
**FIGURE 21 - (I/O WRITE TIMING)**  
 (Table on the following page)



	<b>Parameter</b>	<b>Min</b>	<b>Typ</b>	<b>Max</b>	<b>Units</b>
t21	Address setup before nIOWR low	70			ns
t22	nCE1, nCE2 setup before nIOWR low	5			ns
t23	nREG setup before nIOWR low	5			ns
t24	nIOWR low width	165			ns
t25	Address hold from nIOWR high	20			ns
t26	nCE1, nCE2, hold following nIOWR high	20			ns
t27	nREG hold following nIOWR high	0			ns
t28	Address valid to nIOIS16 valid			35	ns
t29	Data hold following nIOWR	30			ns
t30	Address valid to nMCS low			100	ns
t31	nCE1 low to nMCS low			40	ns
t32	nREG low to nMCS low			40	ns
t33	Address invalid to nMCS high			100	ns
t34	nCE1 high to nMCS high			40	ns
t35	nREG high to nMCS high			40	ns
t36	nIOIS16 delay from address			35	ns



**FIGURE 22 - CARD CONFIGURATION REGISTERS - READ/WRITE PCMCIA MODE (A15=1)**



**FIGURE 23 - PCMCIA CONSECUTIVE READ CYCLES**

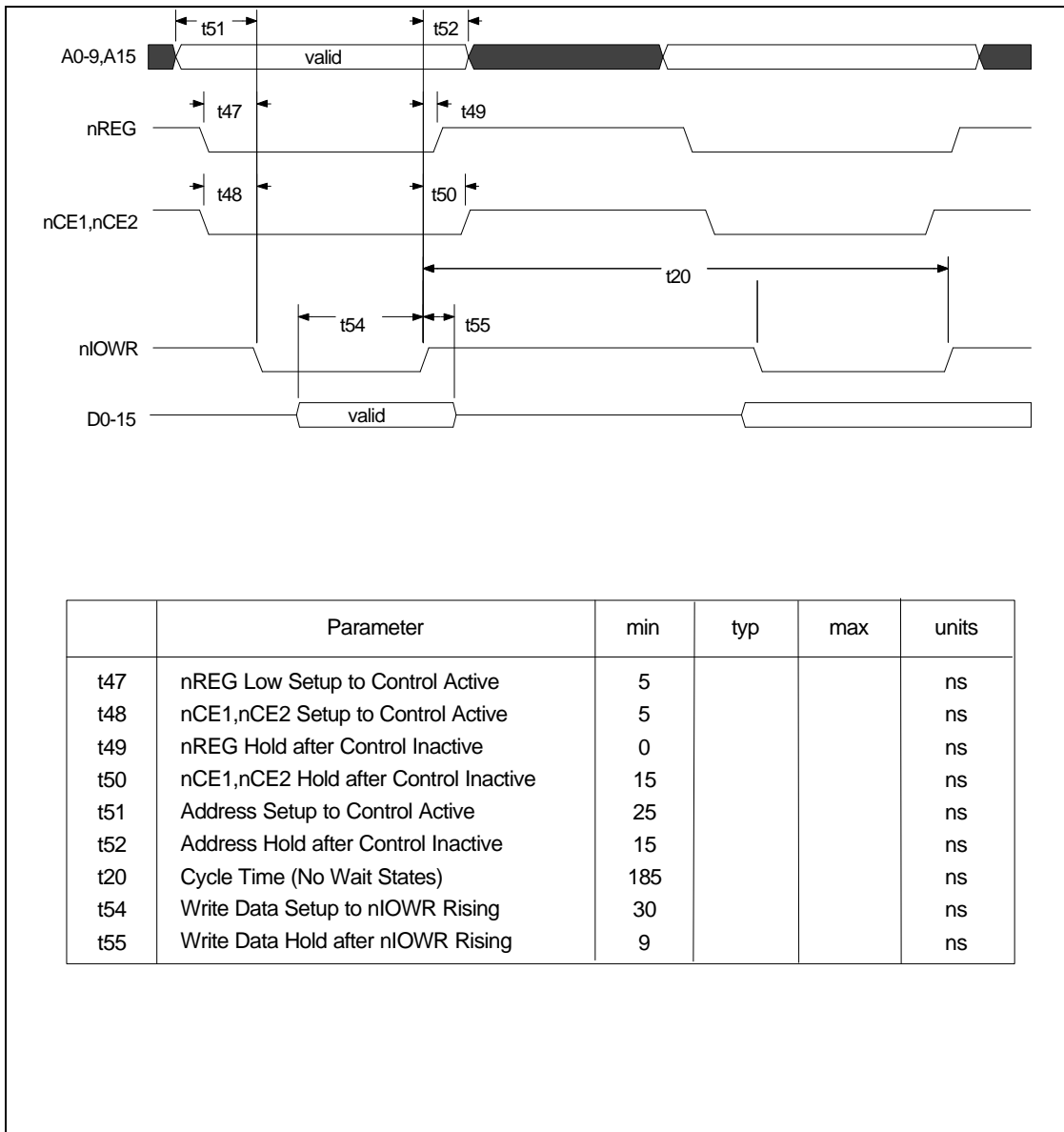
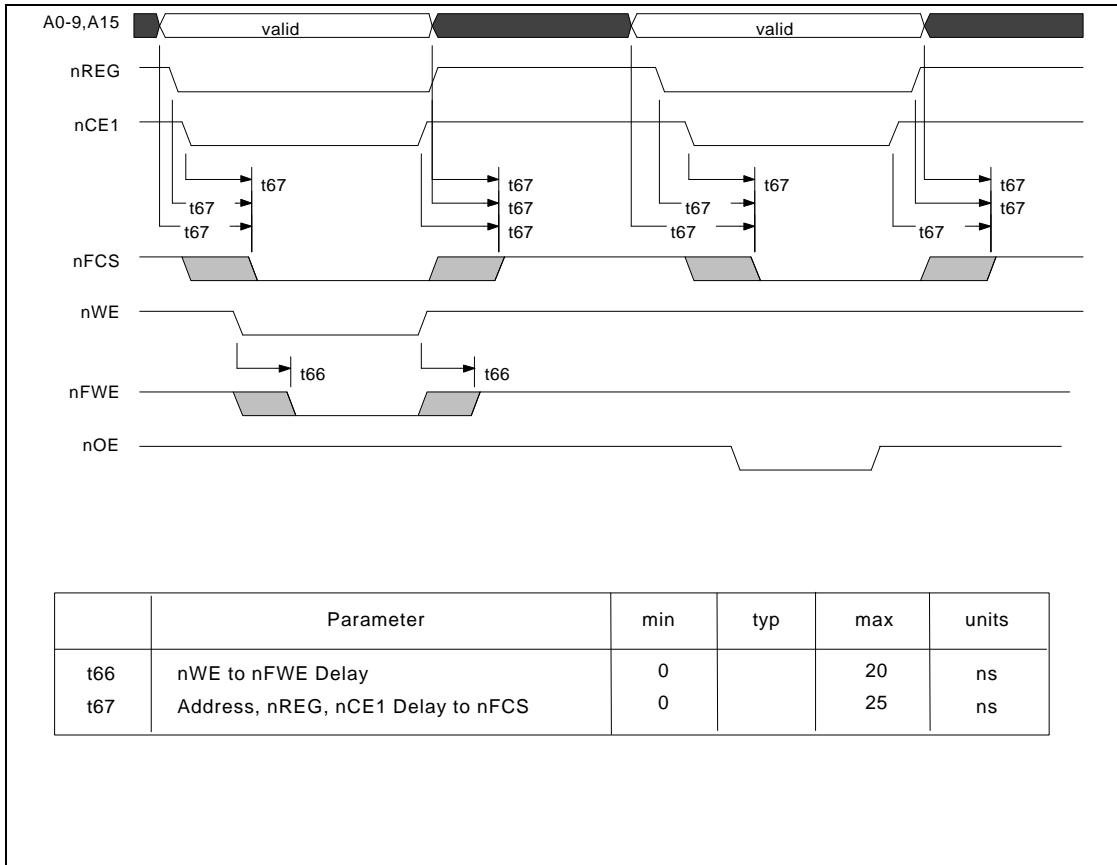
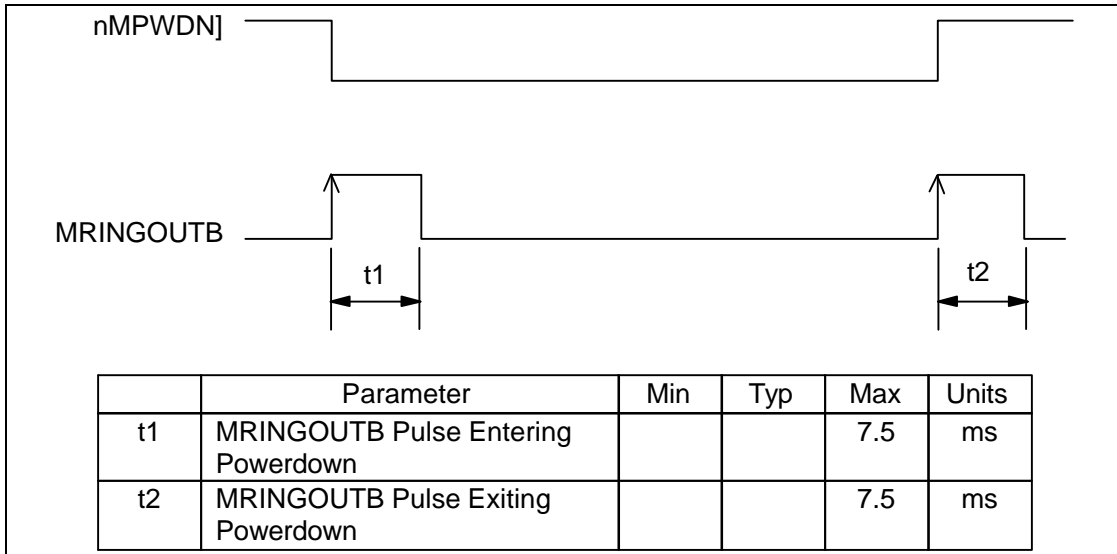


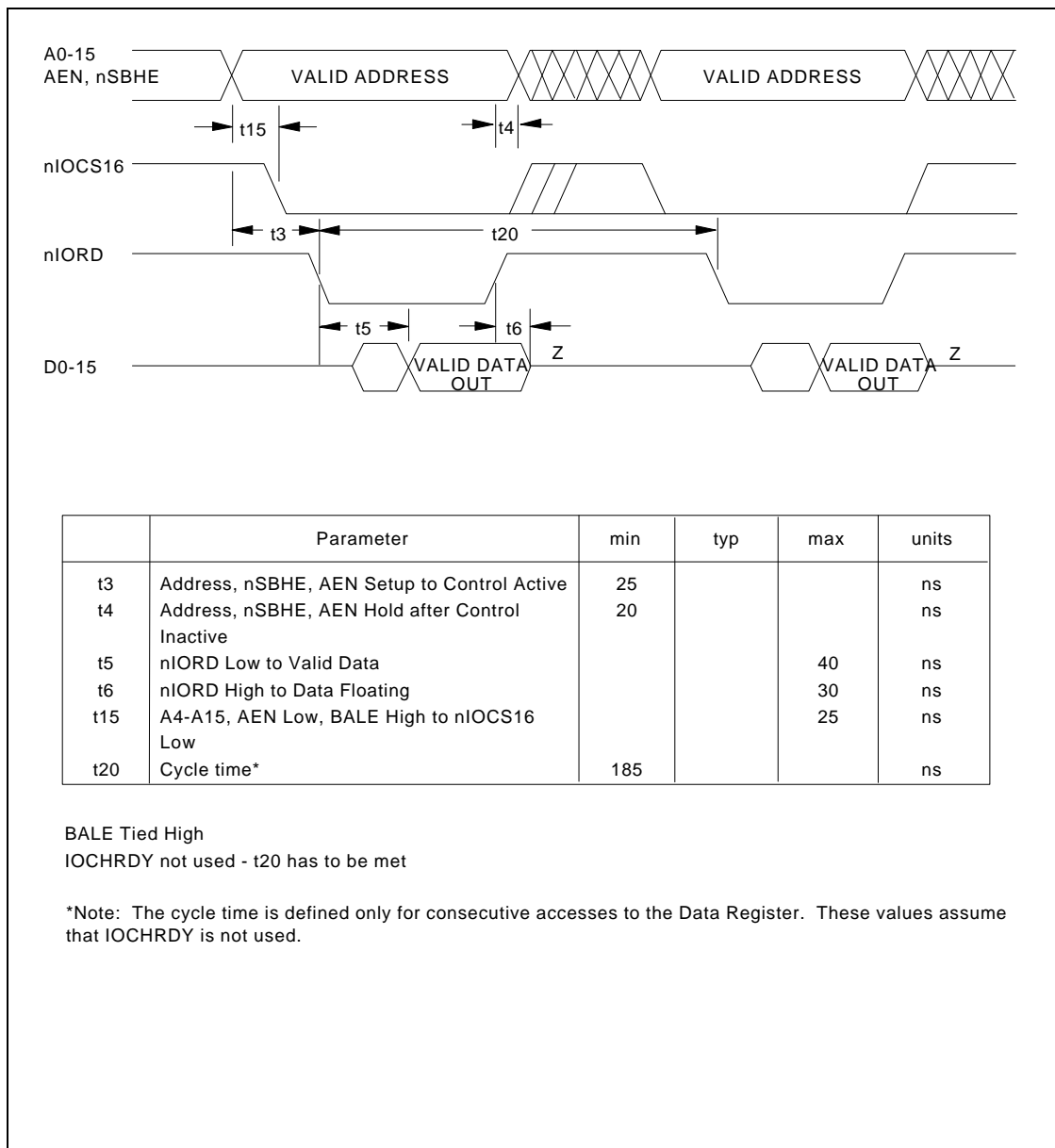
FIGURE 24 - CONSECUTIVE PCMCIA WRITE CYCLES



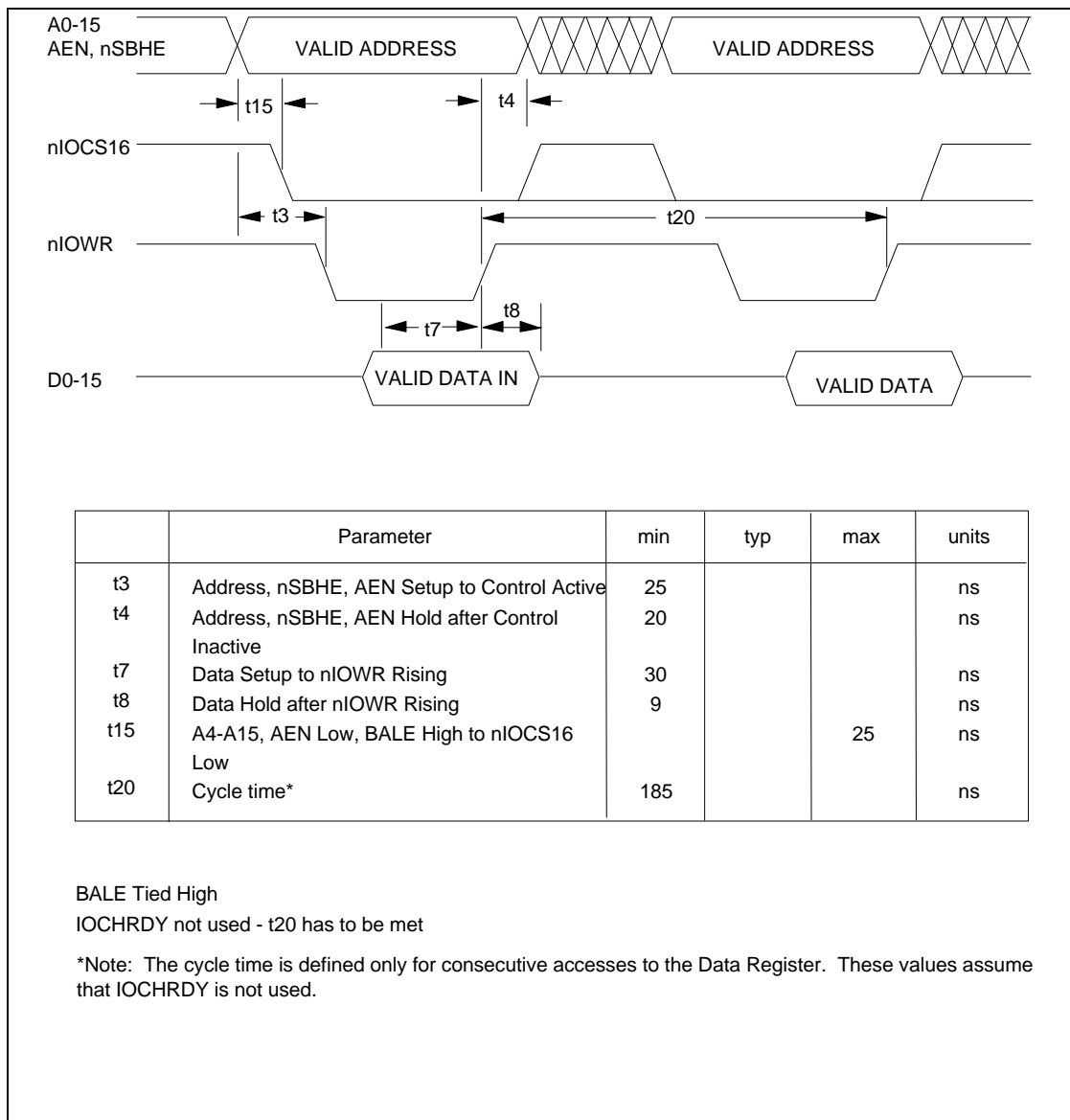
**FIGURE 25 - PCMCIA ATTRIBUTE MEMORY READ/WRITE (A15=0)**



**FIGURE 26 - RINGOUT FOR L39/C39 ROCKWELL MODEMS ENTERING/EXITING POWERDOWN**

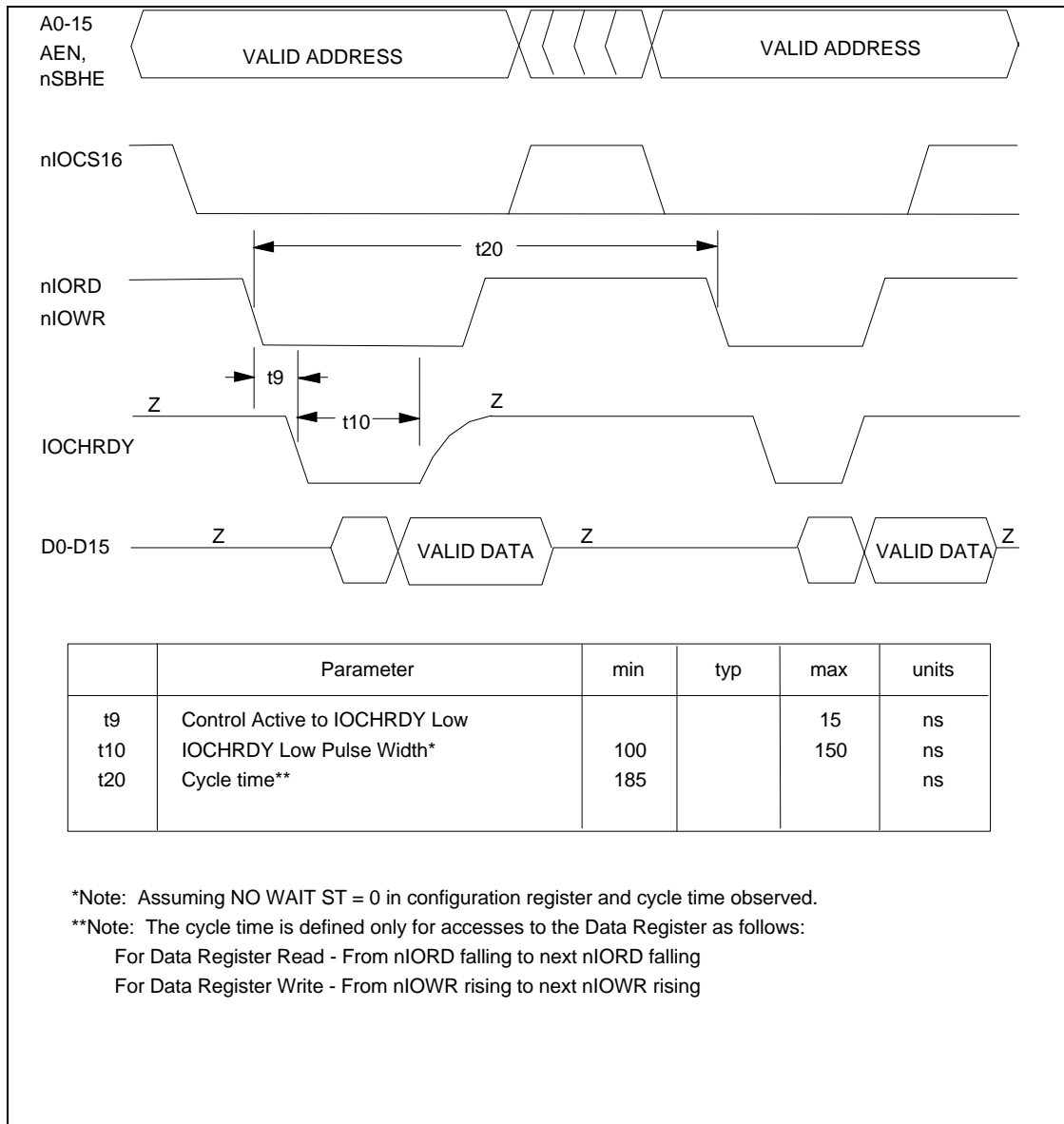


**FIGURE 27 - ISA CONSECUTIVE READ CYCLES**

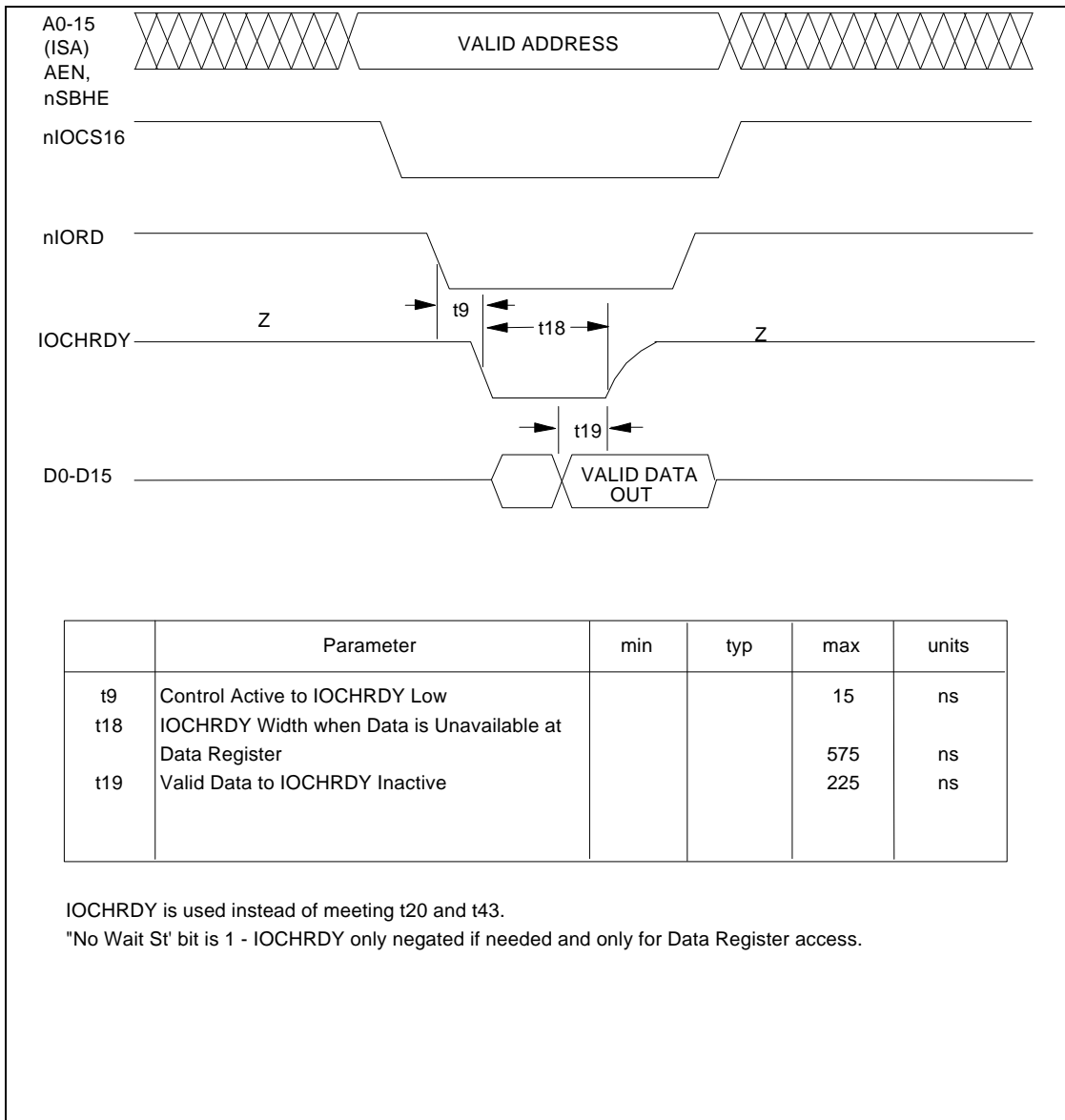


**FIGURE 28 - ISA CONSECUTIVE WRITE CYCLES**

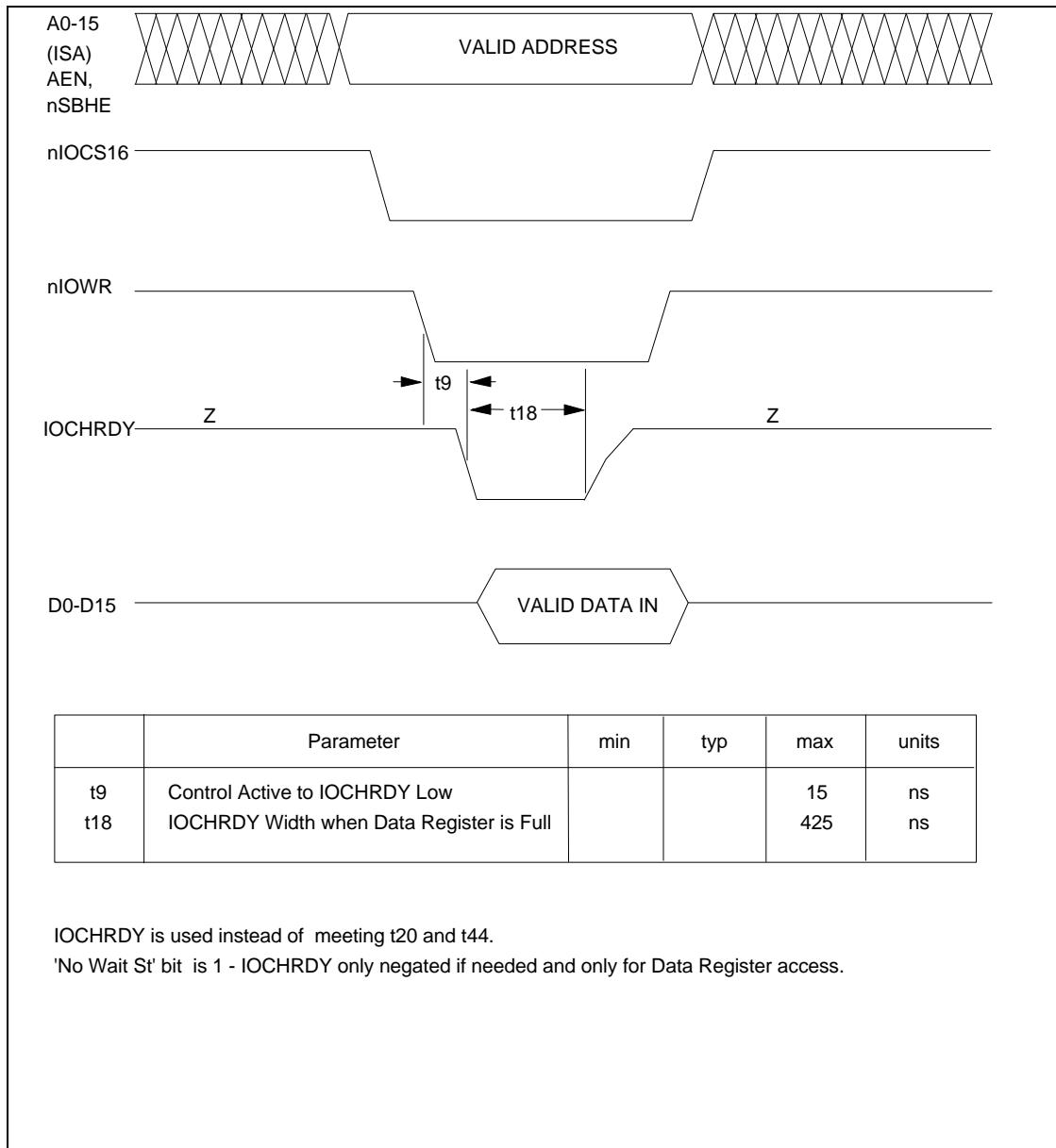




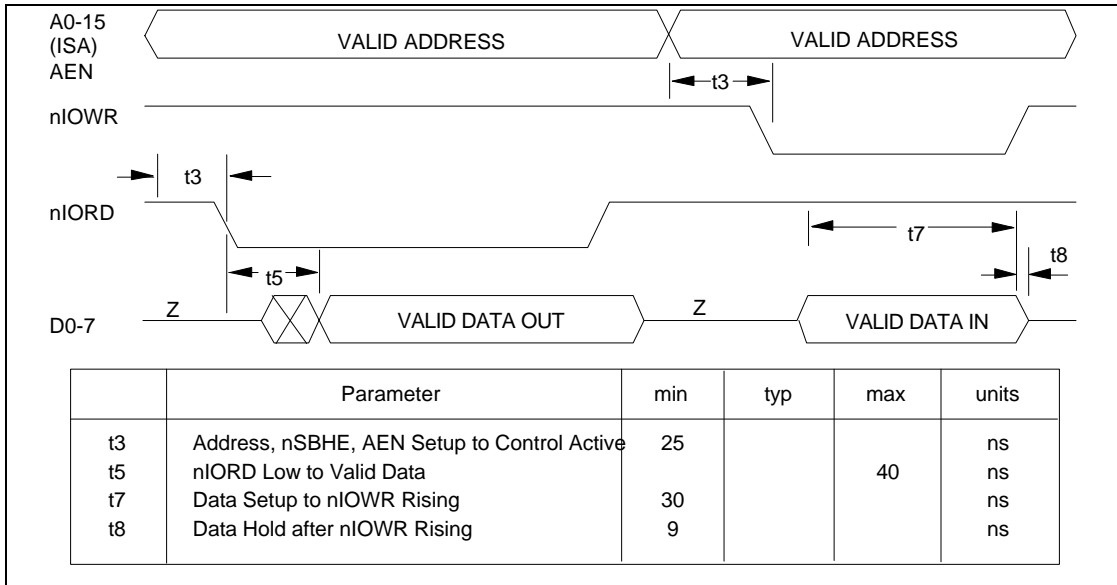
**FIGURE 29 - ISA CONSECUTIVE READ AND WRITE CYCLES**



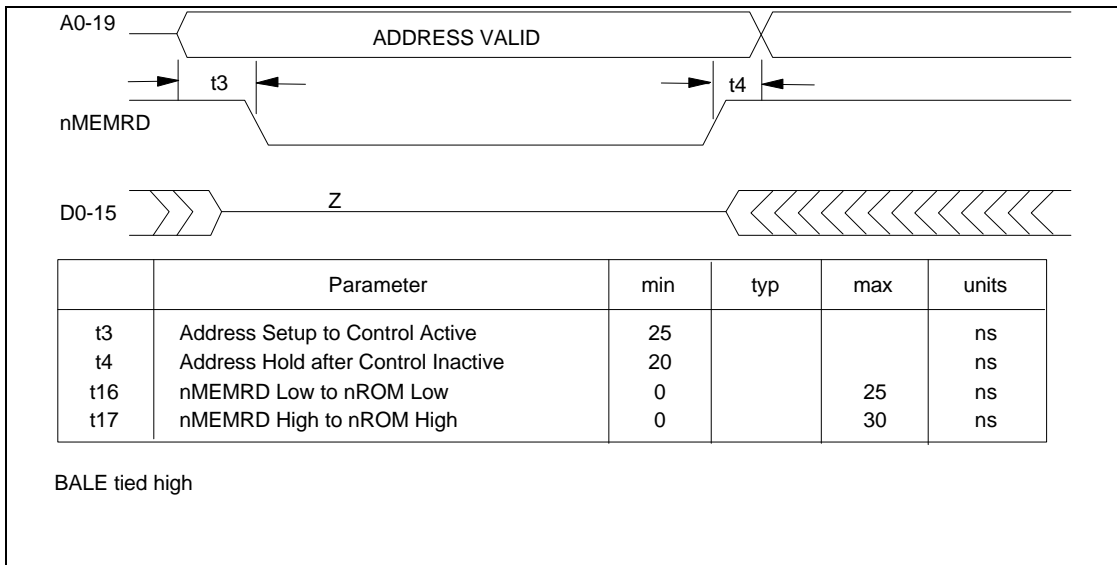
**FIGURE 30 - DATA REGISTER SPECIAL READ ACCESS**



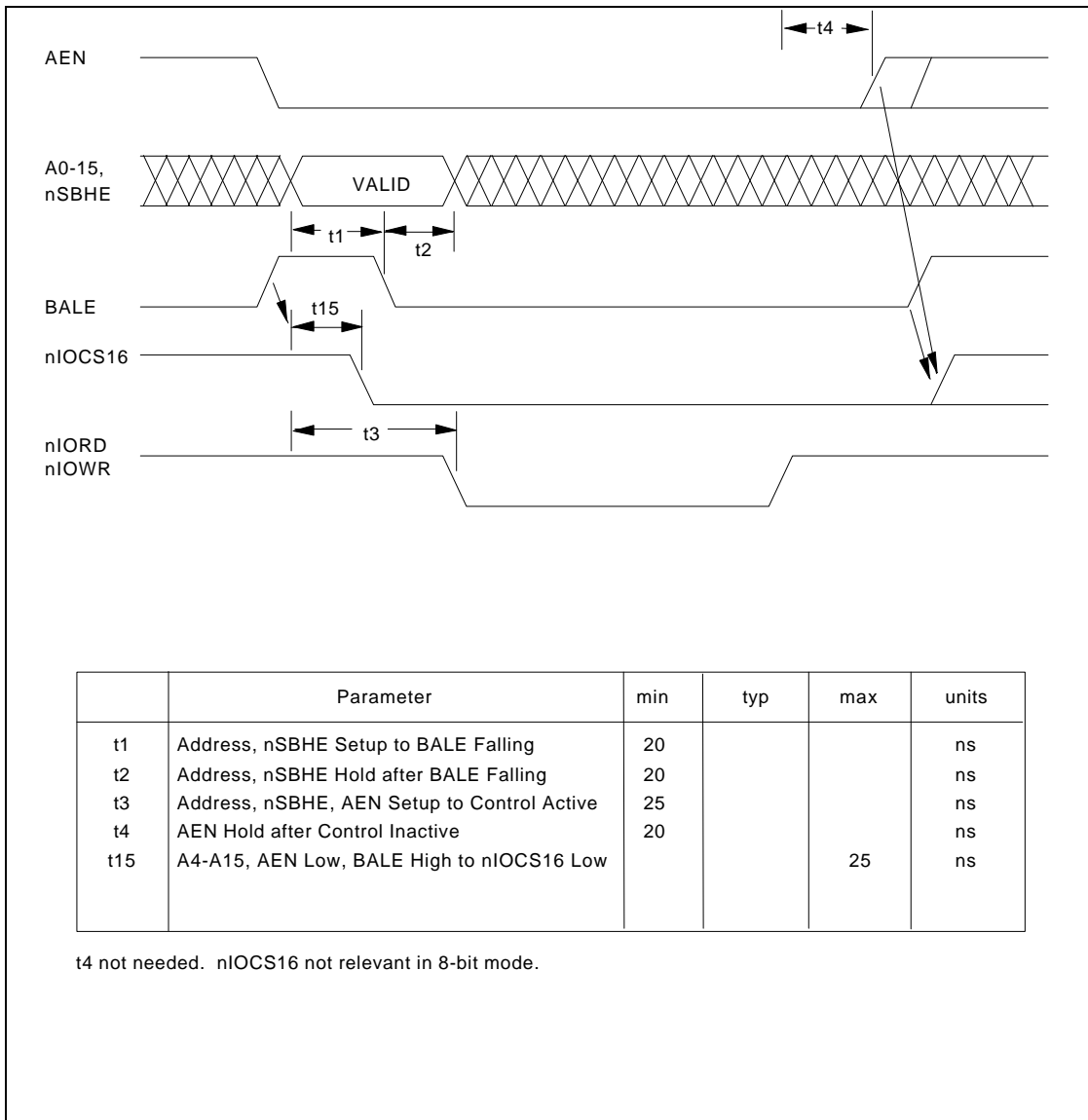
**FIGURE 31 - DATA REGISTER SPECIAL WRITE ACCESS**



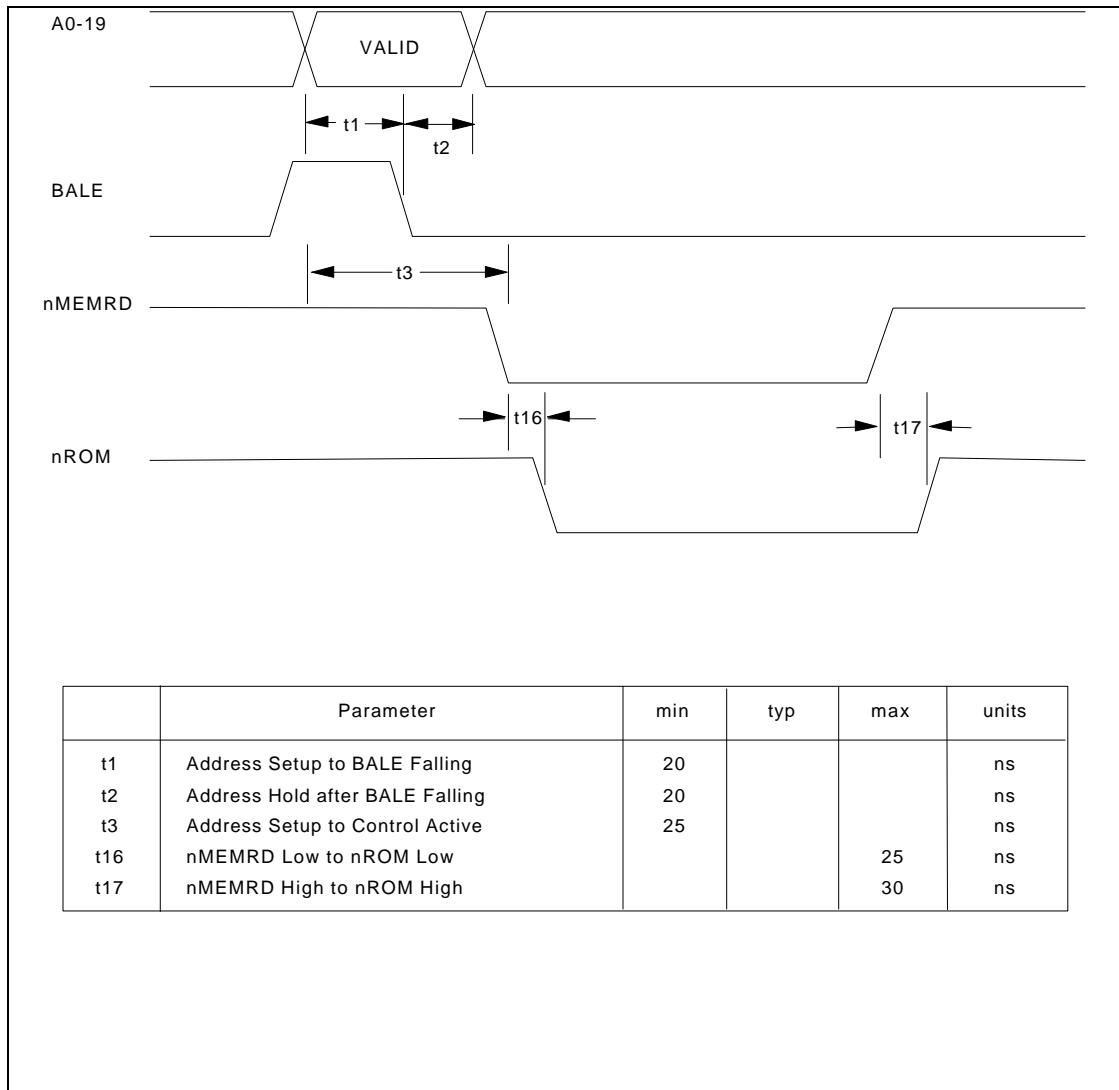
**FIGURE 32 - 8-BIT MODE REGISTER CYCLES**



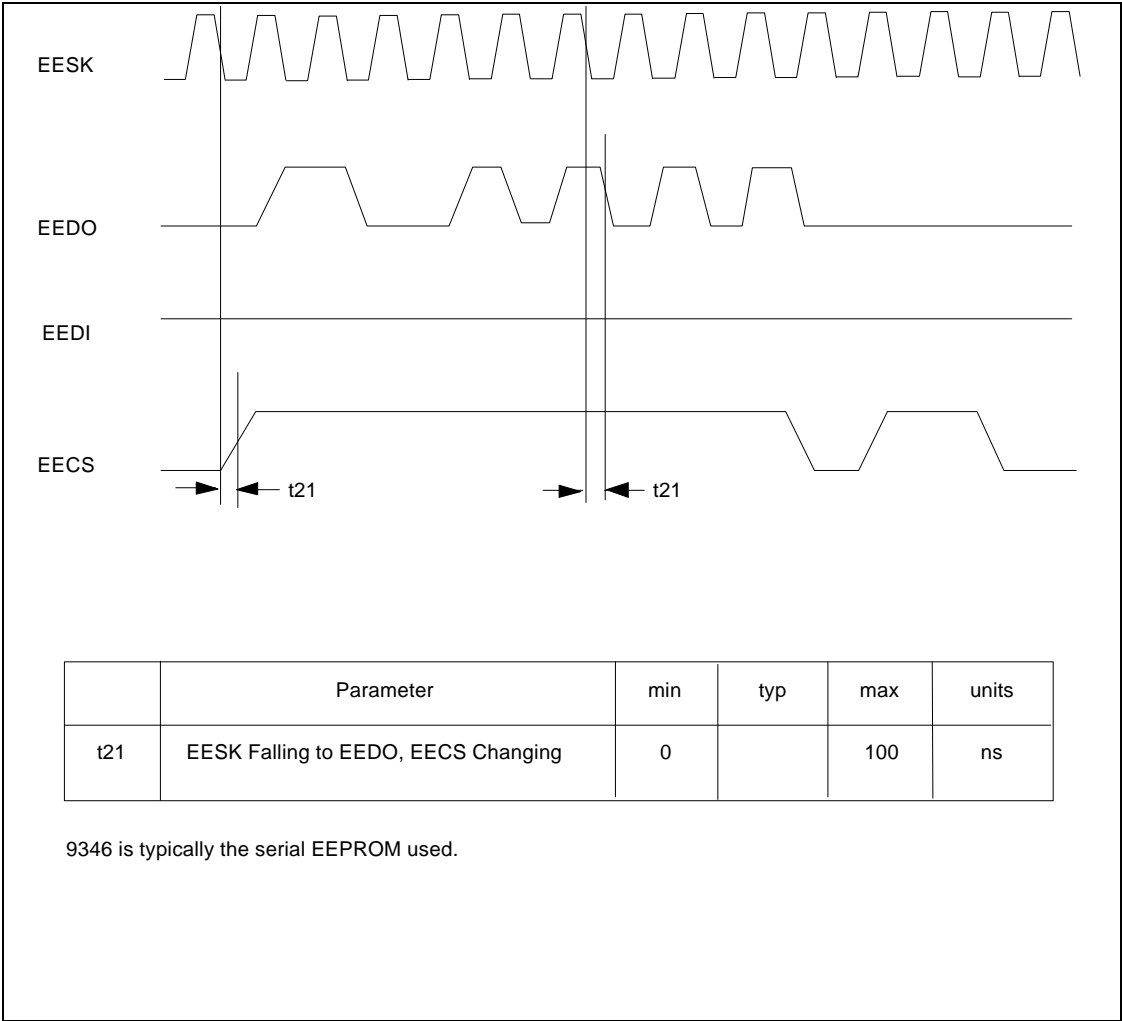
**FIGURE 33 - EXTERNAL ROM READ ACCESS**



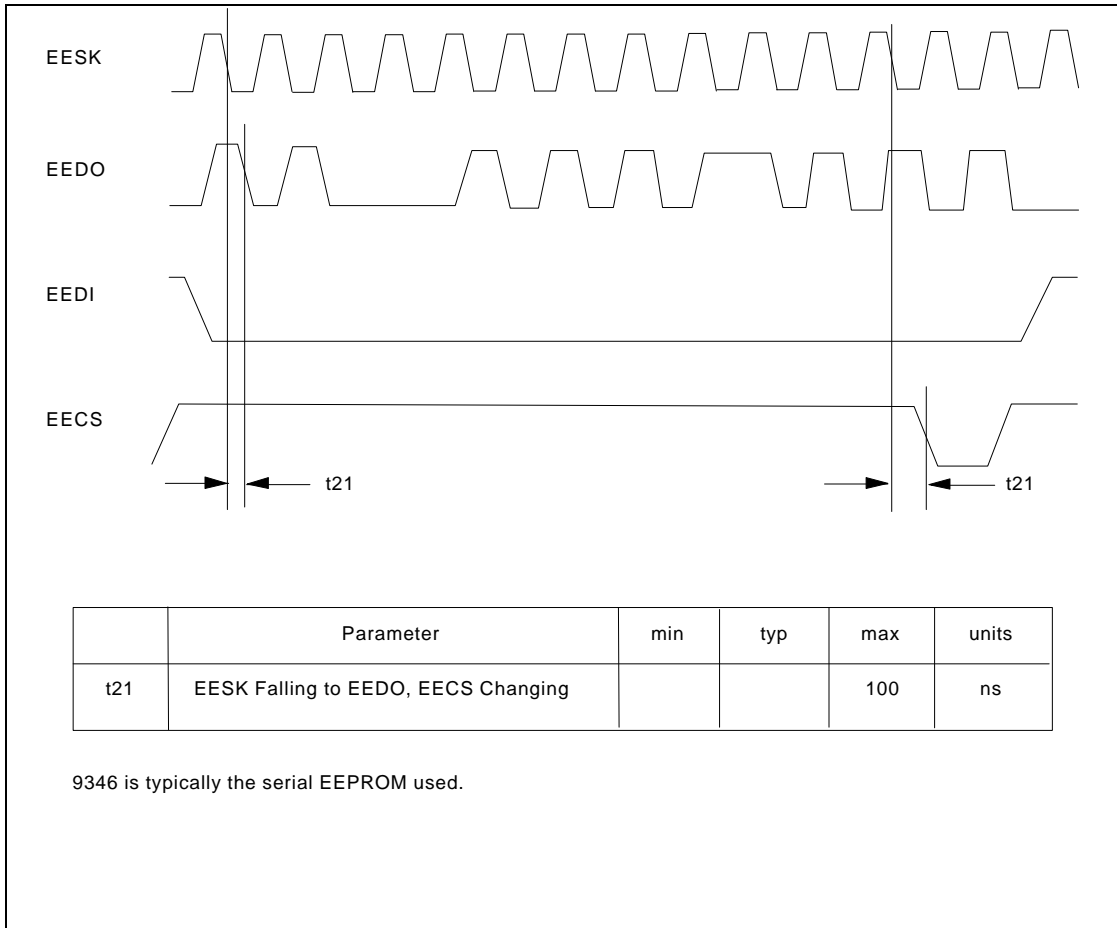
**FIGURE 34 - ISA REGISTER ACCESS WHEN USING BALE**



**FIGURE 35 - EXTERNAL ROM READ ACCESS USING BALE**

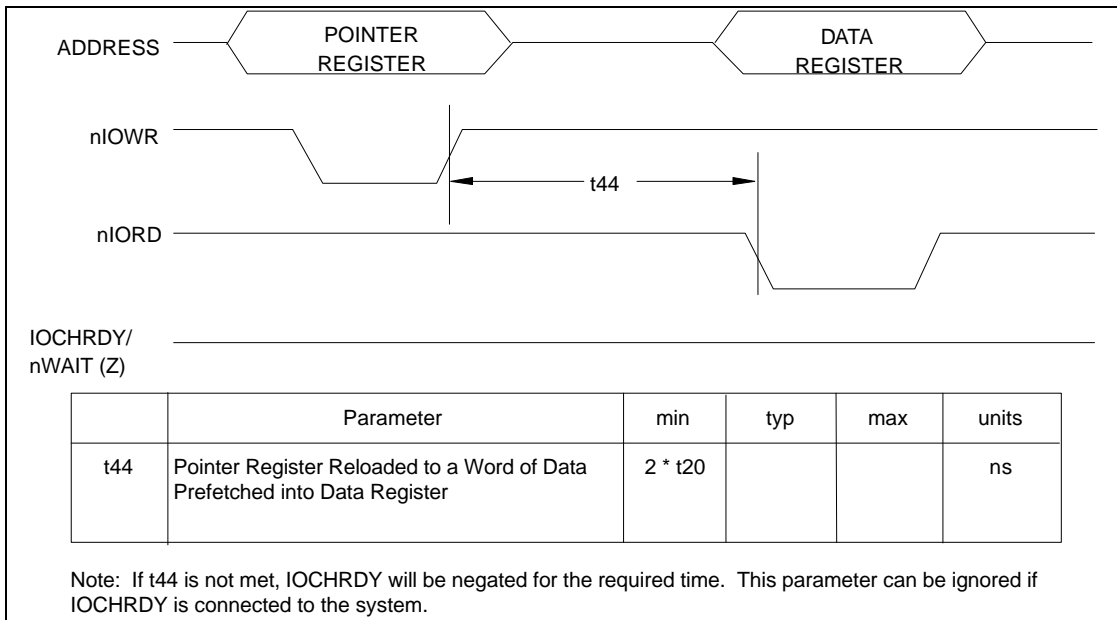


**FIGURE 36 - EEPROM READ**

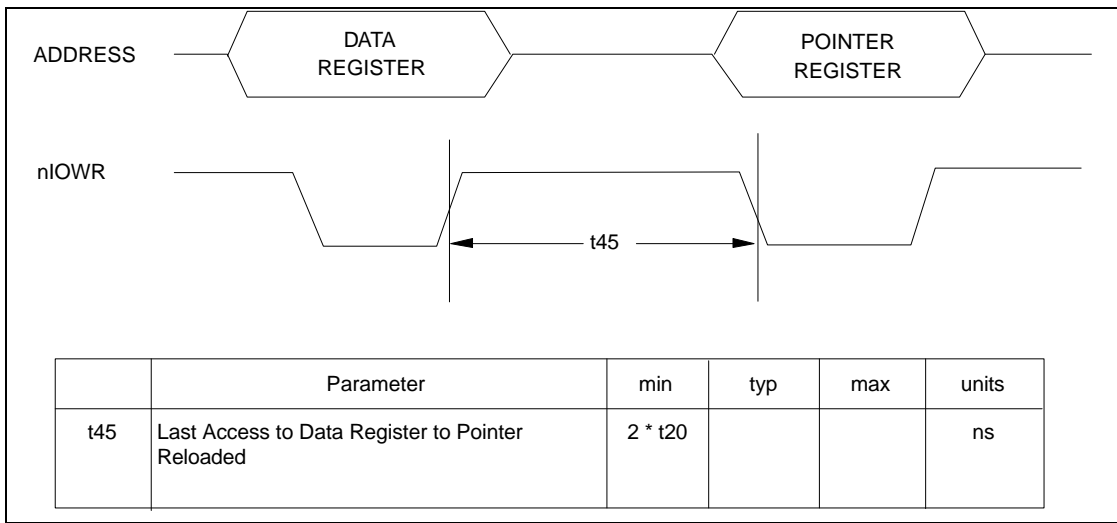


**FIGURE 37 - EEPROM WRITE**

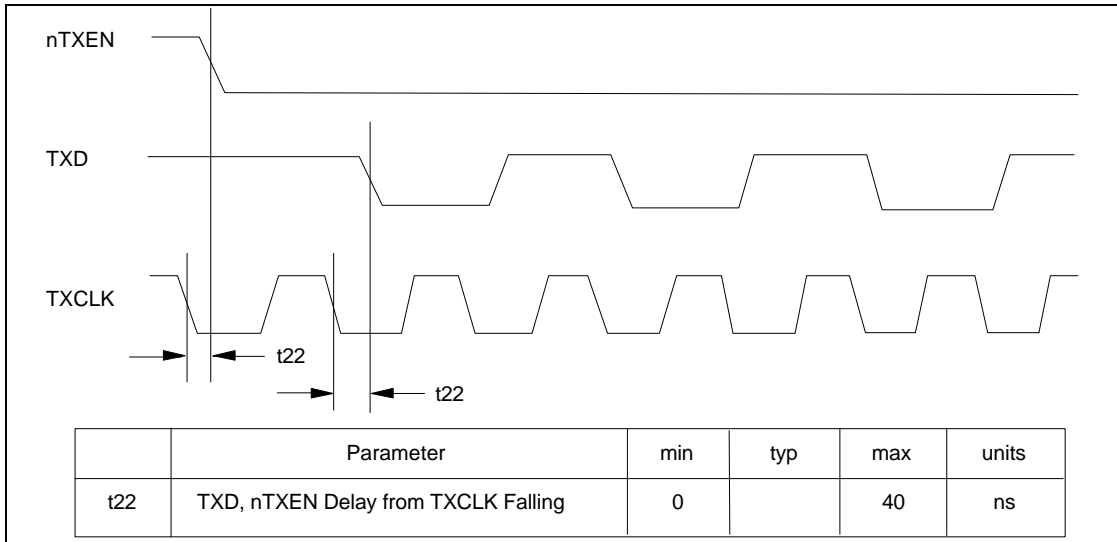




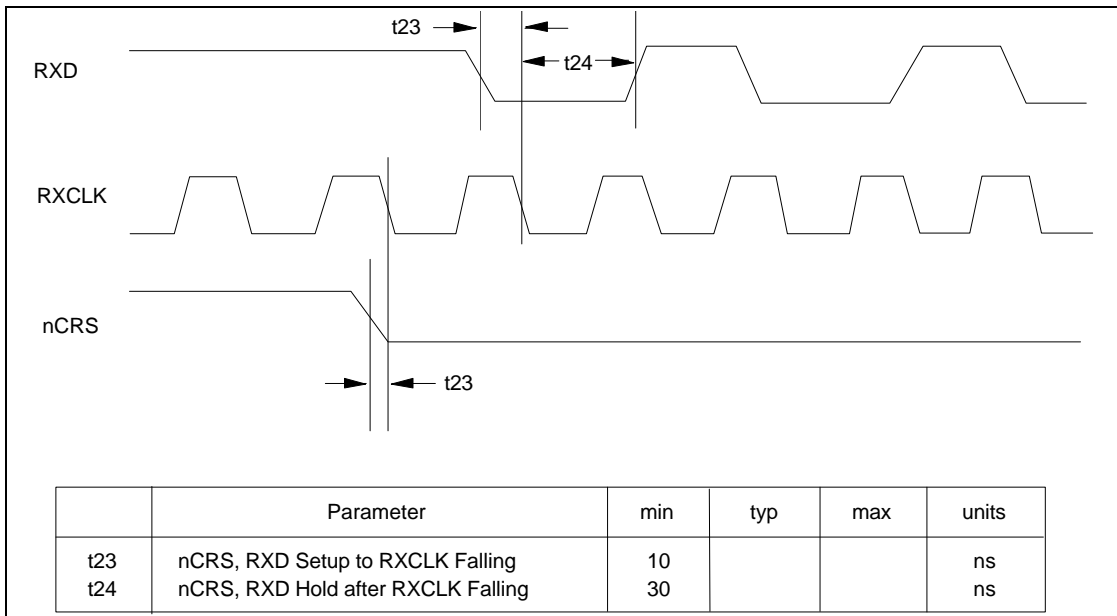
**FIGURE 38 - MEMORY READ TIMING**



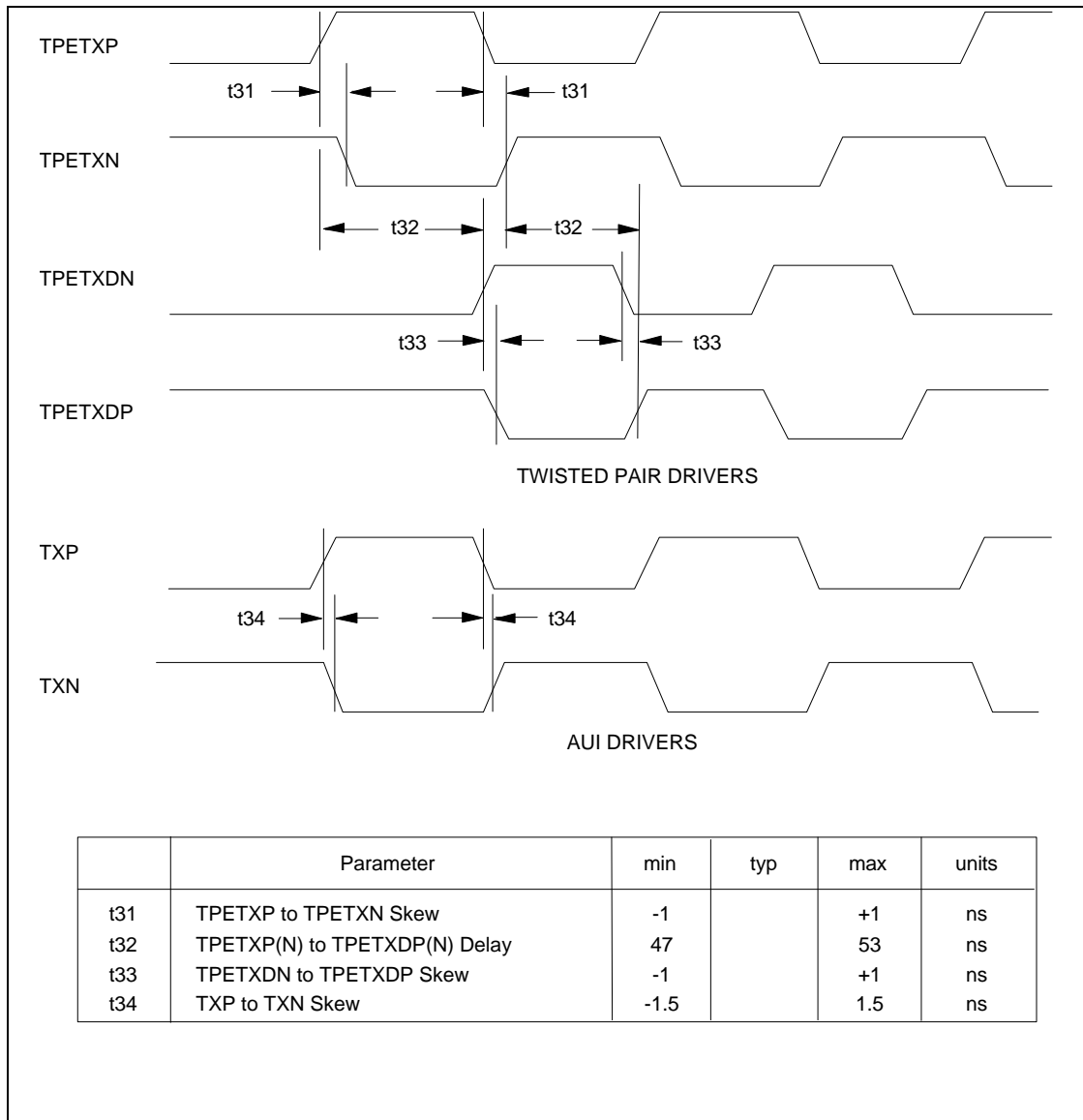
**FIGURE 39 - MEMORY WRITE TIMING**



**FIGURE 40 - EXTERNAL ENDEC INTERFACE - START OF TRANSMIT**



**FIGURE 41 - EXTERNAL ENDEC INTERFACE - RECEIVE DATA (RXD SAMPLED BY FALLING RXCLK)**



**FIGURE 42 - DIFFERENTIAL OUTPUT SIGNAL TIMING (10BASE-T AND AUI)**

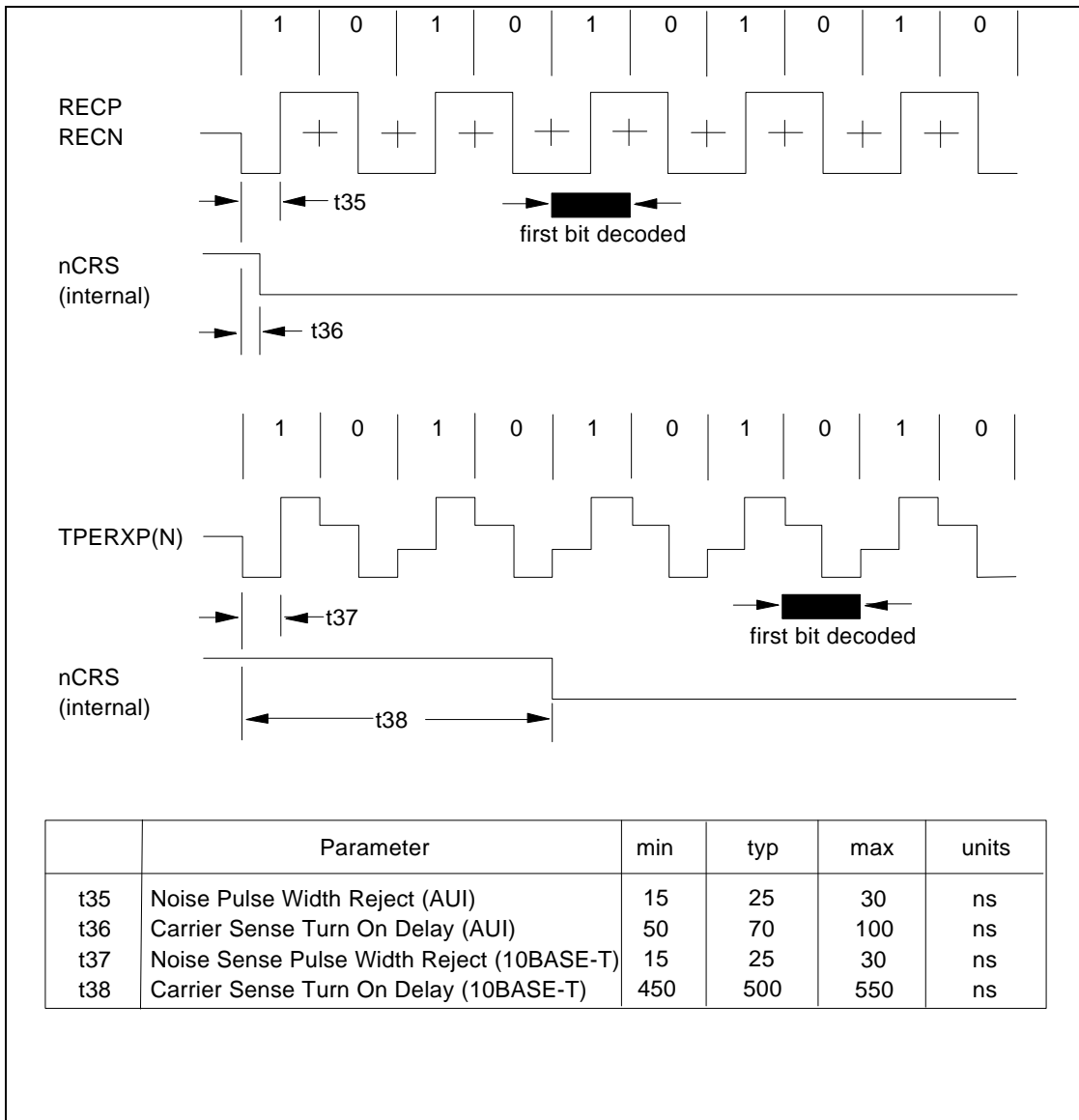
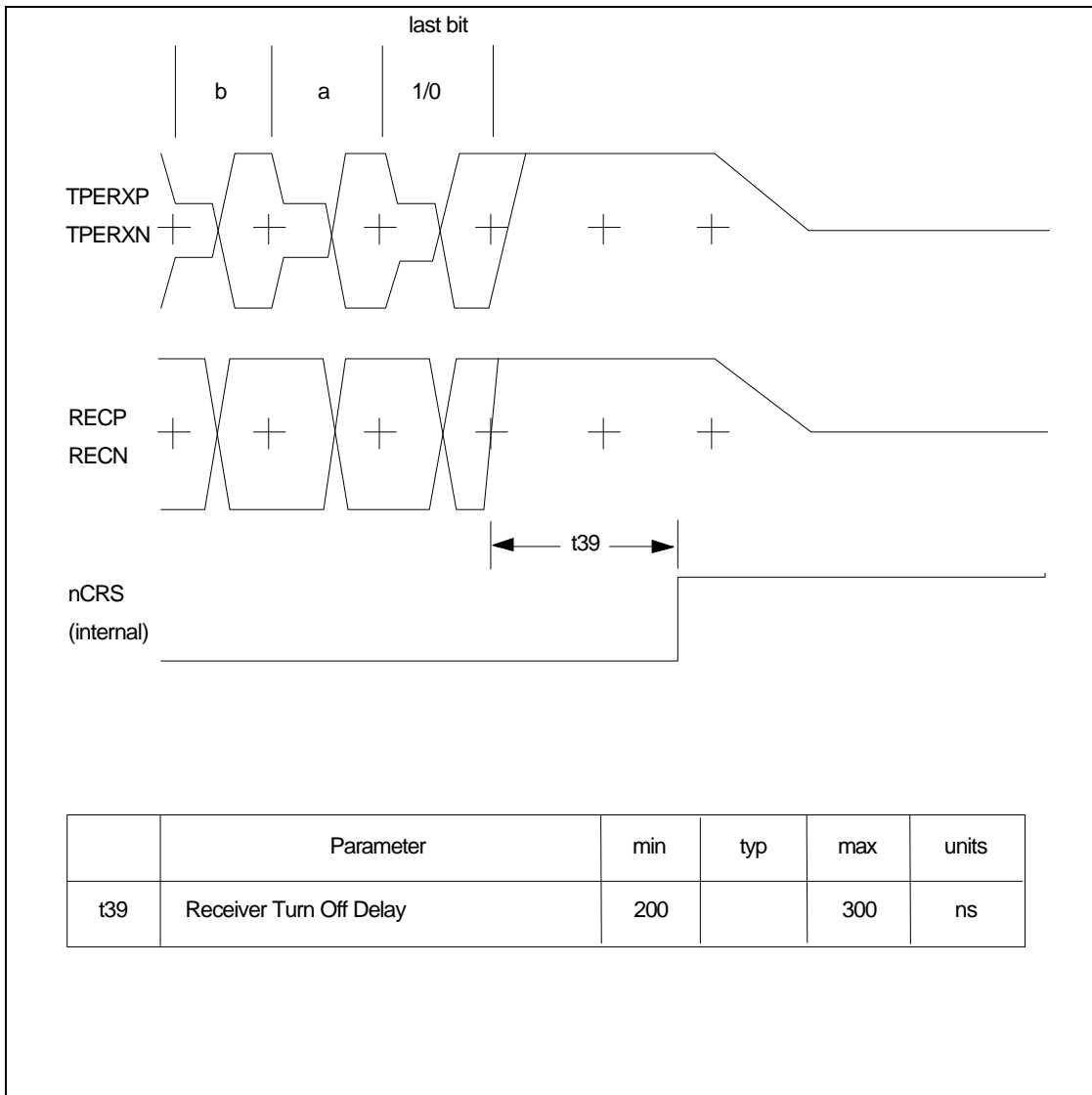
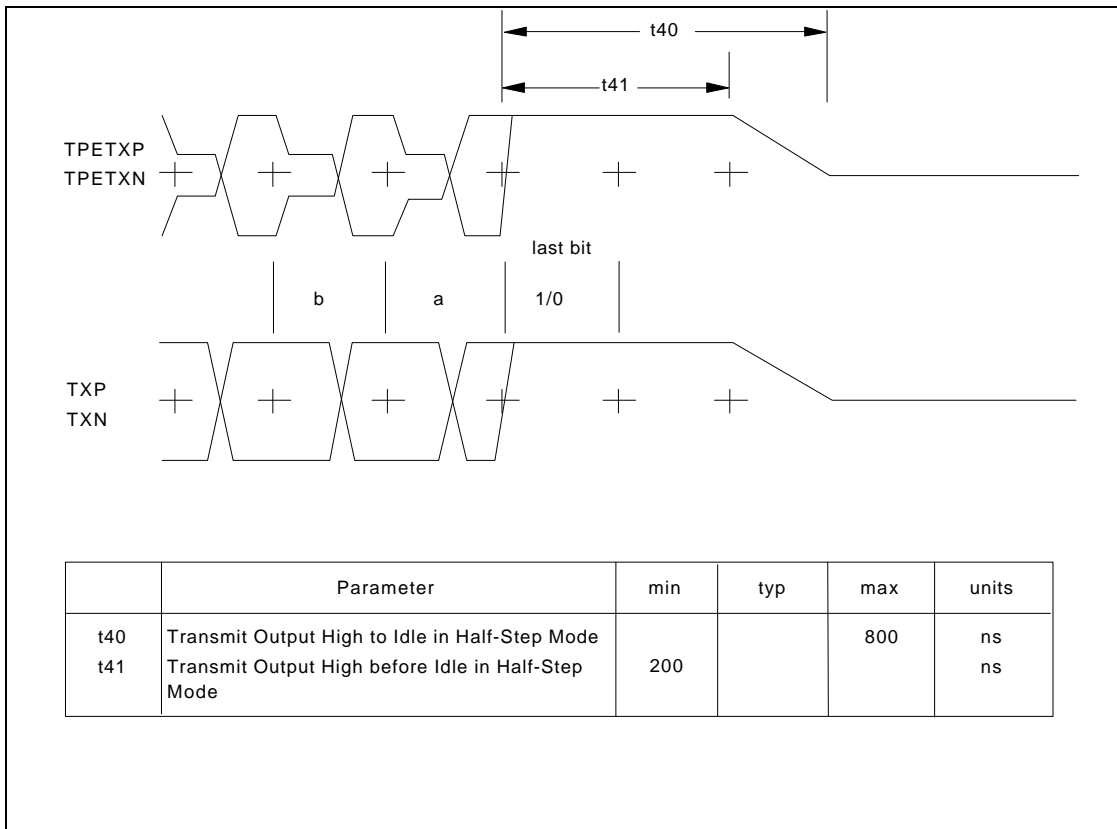


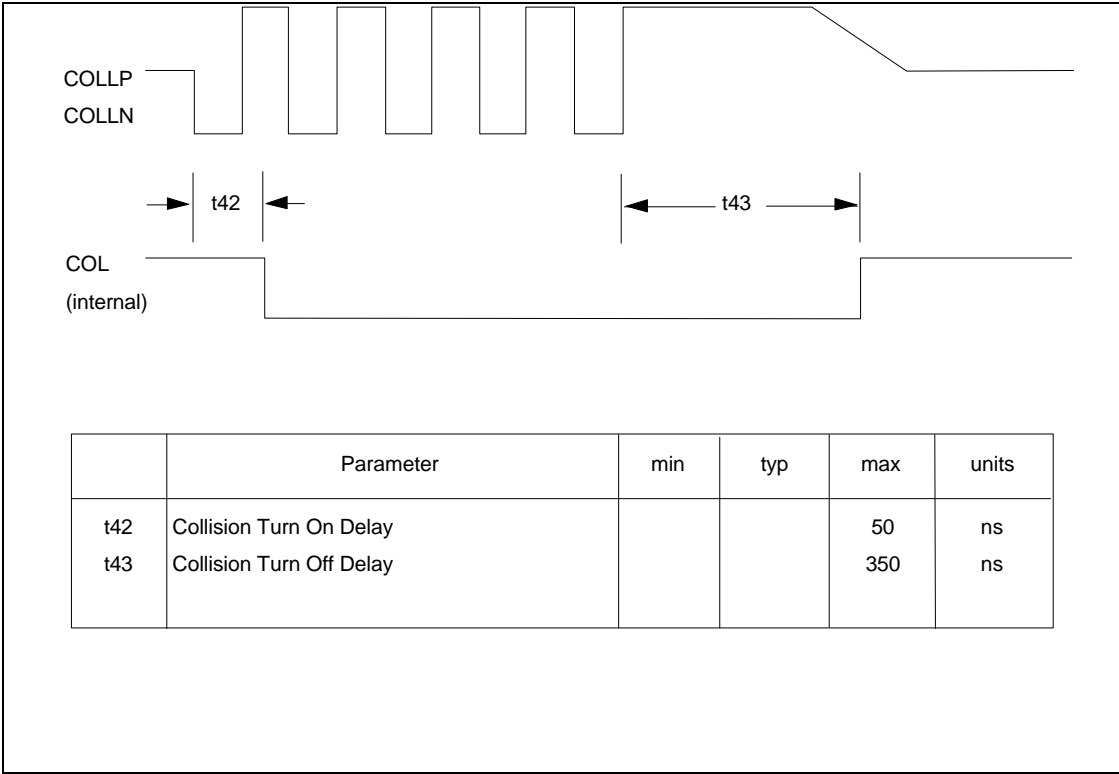
FIGURE 43 - RECEIVE TIMING - START OF FRAME (AUI AND 10BASE-T)



**FIGURE 44 - RECEIVE TIMING - END OF FRAME (AUI AND 10BASE-T)**



**FIGURE 45 - TRANSMIT TIMING - END OF FRAME (AUI AND 10BASE-T)**



**FIGURE 46 - COLLISION TIMING (AUI)**

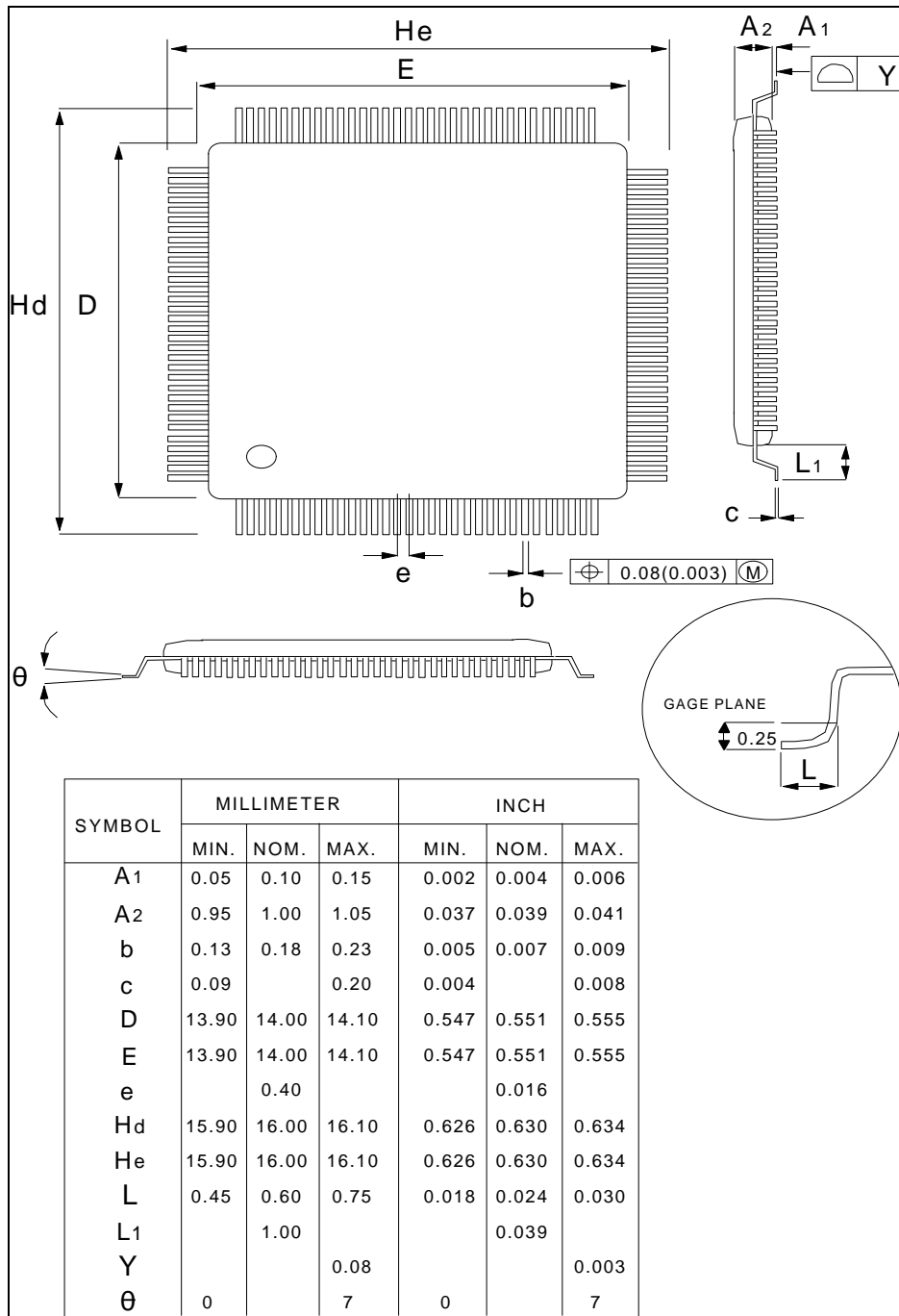


FIGURE 47 - VTQFP PACKAGE OUTLINE





**SMC**<sup>®</sup>

300 Kennedy Drive  
Hauppauge, NY 11788  
(516) 435-6000  
FAX (516) 231-6004

Circuit diagrams utilizing SMC products are included as a means of illustrating typical applications; consequently complete information sufficient for construction purposes is not necessarily given. The information has been carefully checked and is believed to be entirely reliable. However, no responsibility is assumed for inaccuracies. Furthermore, such information does not convey to the purchaser of the semiconductor devices described any licenses under the patent rights of SMC or others. SMC reserves the right to make changes at any time in order to improve design and supply the best product possible.

SMC91C95 Rev. 08/08/96

