

**1 YEAR**  
WARRANTY

MADE IN  
**USA**

CE

# User's Guide

*Shop online at*

**omega.com<sup>®</sup>**

Ω OMEGA

*omega.com*

*e-mail: info@omega.com*

*For latest product manuals:*

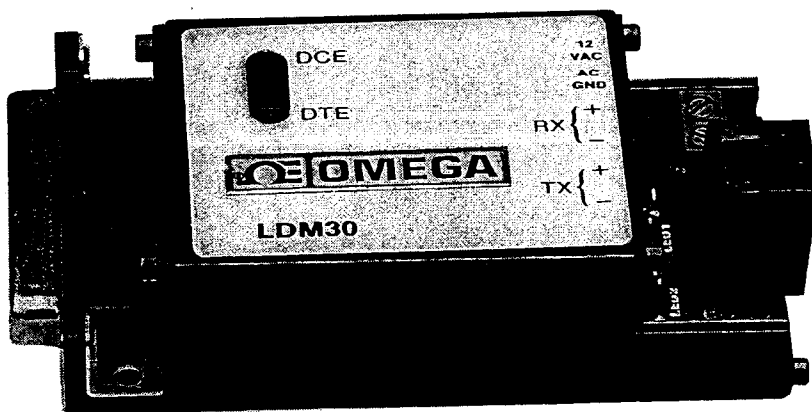
*omegamanual.info*

**ISO 9001**  
CERTIFIED  
CORPORATE QUALITY

STAMFORD, CT

**ISO 9002**  
CERTIFIED  
CORPORATE QUALITY

MANCHESTER, UK



## LDM30

**General-Purpose,  
Limited-Distance Modem**

**omega.com®**

ΩOMEGA®

OMEGAnet® Online Service  
www.omega.com

Internet e-mail  
info@omega.com

### Servicing North America:

**USA:**  
ISO 9001 Certified

One Omega Drive, P.O. Box 4047  
Stamford CT 06907-0047  
TEL: (203) 359-1660 FAX: (203) 359-7700  
e-mail: info@omega.com

**Canada:**

976 Bergar  
Laval (Quebec) H7L 5A1, Canada  
TEL: (514) 856-6928 FAX: (514) 856-6886  
e-mail: info@omega.ca

### For immediate technical or application assistance:

**USA and Canada:** Sales Service: 1-800-826-6342 / 1-800-TC-OMEGA®  
Customer Service: 1-800-622-2378 / 1-800-622-BEST®  
Engineering Service: 1-800-872-9436 / 1-800-USA-WHEN®  
TELEX: 996404 EASYLINK: 62968934 CABLE: OMEGA

**Mexico:**

En Español: (001) 203-359-7803 e-mail: espanol@omega.com  
FAX: (001) 203-359-7807 info@omega.com.mx

### Servicing Europe:

**Benelux:**

Postbus 8034, 1180 LA Amstelveen, The Netherlands  
TEL: +31 (0)20 3472121 FAX: +31 (0)20 6434643  
Toll Free in Benelux: 0800 0993344  
e-mail: sales@omegaeng.nl

**Czech Republic:**

Frystatska 184, 733 01 Karviná, Czech Republic  
TEL: +420 (0)59 6311899 FAX: +420 (0)59 6311114  
Toll Free: 0800-1-66342 e-mail: info@omegashop.cz

**France:**

11, rue Jacques Cartier, 78280 Guyancourt, France  
TEL: +33 (0)1 61 37 2900 FAX: +33 (0)1 30 57 5427  
Toll Free in France: 0800 466 342  
e-mail: sales@omega.fr

**Germany/Austria:**

Daimlerstrasse 26, D-75392 Deckenpfronn, Germany  
TEL: +49 (0)7056 9398-0 FAX: +49 (0)7056 9398-29  
Toll Free in Germany: 0800 639 7678  
e-mail: info@omega.de

**United Kingdom:**

ISO 9002 Certified

One Omega Drive, River Bend Technology Centre  
Northbank, Irlam, Manchester  
M44 5BD United Kingdom  
TEL: +44 (0)161 777 6611 FAX: +44 (0)161 777 6622  
Toll Free in United Kingdom: 0800-488-488  
e-mail: sales@omega.co.uk

It is the policy of OMEGA to comply with all worldwide safety and EMC/EMI regulations that apply. OMEGA is constantly pursuing certification of its products to the European New Approach Directives. OMEGA will add the CE mark to every appropriate device upon certification.

The information contained in this document is believed to be correct, but OMEGA Engineering, Inc. accepts no liability for any errors it contains, and reserves the right to alter specifications without notice.

**WARNING:** These products are not designed for use in, and should not be used for, human applications.

# LDM30

## General Purpose Limited Distance Modem



### Description

The LDM30 series of products is designed to allow video display terminals (VDTs) and other RS-232 devices to be connected over distances sufficient to cover any industrial or institutional complex of buildings. These modems feature a rugged aluminum enclosure small enough to mount on the back panel of VDT units, saving valuable desk and floor space.

The LDM30 series is designed for full-duplex, asynchronous operation over two, DC-continuity, non-loaded, twisted-wire pairs. Through special high-speed optically-coupled circuits they may communicate at data rates up to 57,600 baud. A self-powered model and a host-powered model are available. The self-powered unit uses 12VAC from a wall-mounted transformer while the host-powered unit takes  $\pm$ DC power from pins 9 and 10 of the RS-232 connector. The modem circuits — and, consequently, the host device — are protected from electrical transients due to lightning strikes or operation of heavy industrial equipment.

Each device features a convenient Data-Communication Equipment (DCE) to Data-Terminal Equipment (DTE) switch which reverses pins 2 and 3 of the RS-232 connector. For installation and troubleshooting, each unit has diagnostic Light-Emitting Diodes (LEDs) on the transmit and receive lines.

The RS-232 connector may be ordered as a male or female 25-pin connector. Field connection is made through a modern, solderless, screw-termination assembly. Alternatively, a convenient four-wire modular phone jack (RJ-11) is available.

### Features

- DC to 57,600 Baud
- Optical Isolation
- Surge Protectors
- LED Diagnostic Indicators
- Operation to 3 Miles (5km) at 9600 Baud, 1 Mile (1.7km) at 19,200, 0.5 Miles (0.8km) at 57,600
- Four-Wire Full-Duplex, Two-Wire Simplex
- Self-Powered or Host-Powered
- Selection of Connectors
- Wide Operating Temperature Range, 0 to +70°C
- CE Compliant

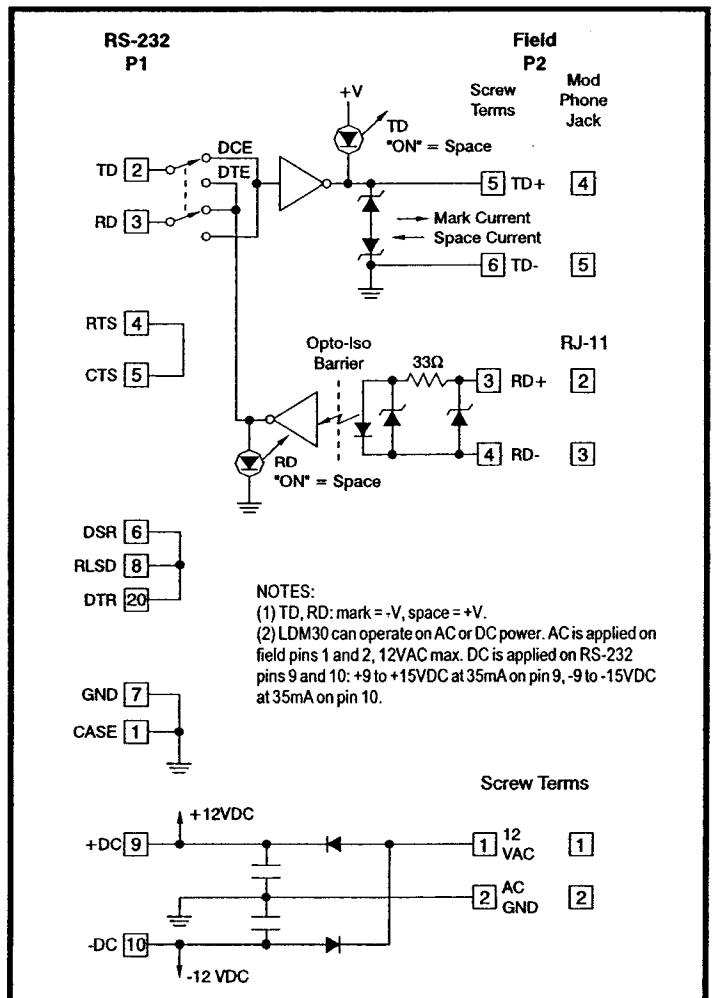


Figure 1: LDM30 Block Diagram

# Specifications

Model	LDM30
Baud Rate Range	0-57.6K
Baud Rate	57.6K 38.4K 19.2K 9.6K 4.8K 2.4K 1.2K-0
Distance(miles)	0.5 0.75 1.0 3.0 5.0 7.0 12.0
Distance(km)	0.8 1.21 1.6 4.8 8.1 11.3 19.3
Common Mode Isolation	Surge: ±500V Continuous: 300V
Differential Mode Surge Protection (3 devices)	ANSI/IEEE C37.90.1
Modes	Asynchronous 4-wire full-duplex, 2-wire simplex
Channel Lines Control Lines	TD, RD, RTS, CTS, DTR, DSR, RLSD
Power	AC operation <sup>(2)</sup> : 12VAC at 92mA DC operation: ±9VDC to ±15VDC, 35mA
Environmental	Operating Temperature Range: 0°C to +70°C Storage Temperature Range: -40°C to +85°C Relative Humidity: 95% non-condensing
Dimensions	3.6" x 2.1" x 1" (91.4mm x 53.3mm x 25.4mm)
Weight (PT3 and PT3E)	3.5 oz (100g) max 10.0 oz (281g) max
MTTF <sup>(3)</sup>	>150,000 hrs

NOTES:  
 (1) TD = Transmit Data, RD = Receive Data, RTS = Request To Send, CTS = Clear To Send, DTR = Data Terminal Ready, DSR = Data Set Ready, RLSD = Received Line Signal Detect.  
 (2) 120VAC and 220VAC power transformers are available.  
 (3) Ground-benign environmental conditions (no salt atmosphere, <50°C ambient temperature).

# Ordering Information

Model	Type	Power	Termination
LDM30-P	Male	Host-powered	Screw termination
LDM30-S	Female	Host-powered	Screw termination
LDM30-PJ	Male	Host-powered	RJ-11 phone jack
LDM30-SJ	Female	Host-powered	RJ-11 phone jack
LDM30-PT	Male	U.S. transformer	Screw termination
LDM30-ST	Female	U.S. transformer	Screw termination
LDM30-PJT	Male	U.S. transformer	RJ-11 phone jack
LDM30-SJT	Female	U.S. transformer	RJ-11 phone jack
LDM30-PE	Male	European transformer	Screw termination
LDM30-SE	Female	European transformer	Screw termination
LDM30-PJE	Male	European transformer	RJ-11 phone jack
LDM30-SJE	Female	European transformer	RJ-11 phone jack

Model	Description
PT3	U.S. style wall mount transformer, 120VAC
PT3E	Euro style wall mount transformer, 220VAC

RS-232 P1 Pin Descriptions	Field P2 Pin Description
Pin 1 CASE [3] Case Ground	Screw Terms Pin 1 12VAC
Pin 2 TD [3] Transmit Data	Pin 2 AC GND
Pin 3 RD [2] Receive Data	Pin 3 RD+
Pin 4 RTS [7] Req. To Send	Pin 4 RD-
Pin 5 CTS [8] Clear To Send	Pin 5 TD+
Pin 6 DSR [6] Data Set Ready	Pin 6 TD-
Pin 7 GND [5] Signal Ground	
Pin 8 RLSD [1] Receive Line Signal Detect	RD+ = Receive Data +
Pin 9 +DC Positive DC Supply Input	RD- = Receive Data -
Pin 10 -DC Negative DC Supply Input	TD+ = Transmit Data +
Pin 20 DTR [4] Data Terminal Ready	TD- = Transmit Data -

Pin numbers given are for the 25-pin connector with the 9-pin equivalent in [.]

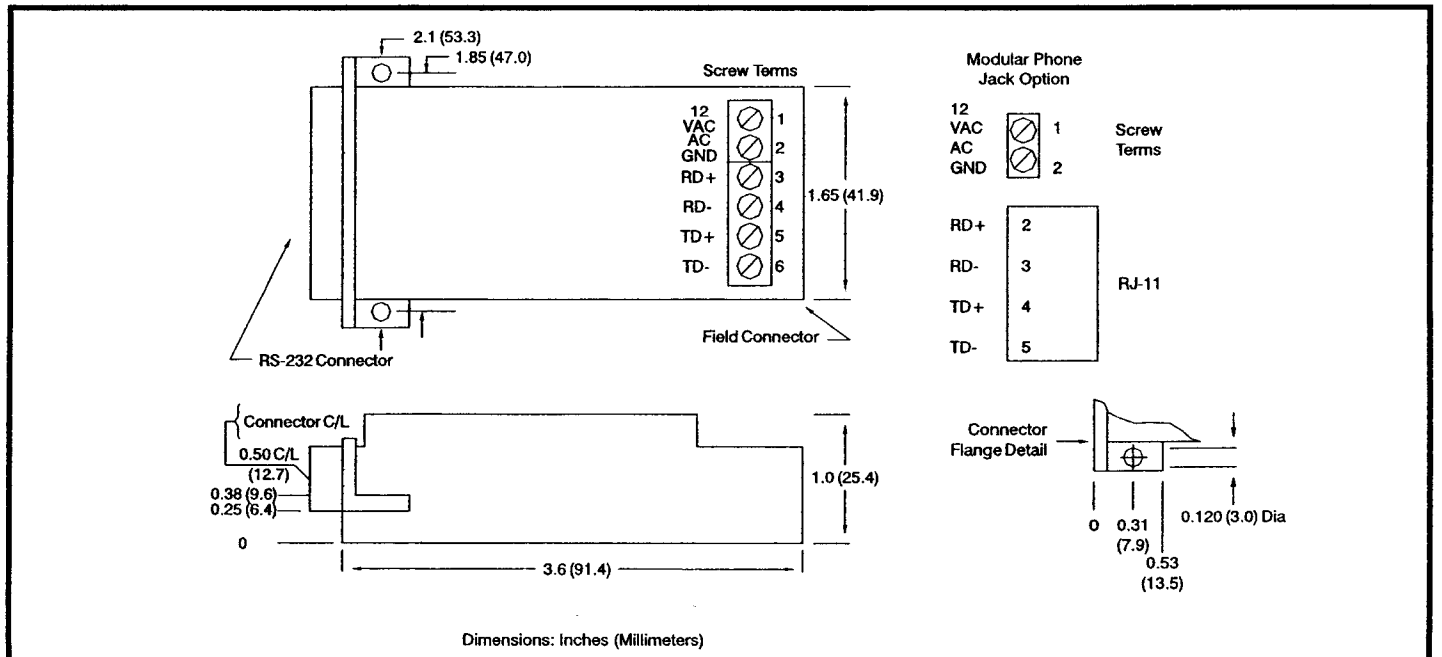


Figure 2: LDM30 Dimensions



## WARRANTY/DISCLAIMER

OMEGA ENGINEERING, INC. warrants this unit to be free of defects in materials and workmanship for a period of **13 months** from date of purchase. OMEGA's WARRANTY adds an additional one (1) month grace period to the normal **one (1) year product warranty** to cover handling and shipping time. This ensures that OMEGA's customers receive maximum coverage on each product.

If the unit malfunctions, it must be returned to the factory for evaluation. OMEGA's Customer Service Department will issue an Authorized Return (AR) number immediately upon phone or written request. Upon examination by OMEGA, if the unit is found to be defective, it will be repaired or replaced at no charge. OMEGA's WARRANTY does not apply to defects resulting from any action of the purchaser, including but not limited to mishandling, improper interfacing, operation outside of design limits, improper repair, or unauthorized modification. This WARRANTY is VOID if the unit shows evidence of having been tampered with or shows evidence of having been damaged as a result of excessive corrosion; or current, heat, moisture or vibration; improper specification; misapplication; misuse or other operating conditions outside of OMEGA's control. Components in which wear is not warranted, include but are not limited to contact points, fuses, and triacs.

**OMEGA is pleased to offer suggestions on the use of its various products. However, OMEGA neither assumes responsibility for any omissions or errors nor assumes liability for any damages that result from the use of its products in accordance with information provided by OMEGA, either verbal or written. OMEGA warrants only that the parts manufactured by the company will be as specified and free of defects. OMEGA MAKES NO OTHER WARRANTIES OR REPRESENTATIONS OF ANY KIND WHATSOEVER, EXPRESSED OR IMPLIED, EXCEPT THAT OF TITLE, AND ALL IMPLIED WARRANTIES INCLUDING ANY WARRANTY OF MERCHANTABILITY AND FITNESS FOR A PARTICULAR PURPOSE ARE HEREBY DISCLAIMED. LIMITATION OF LIABILITY: The remedies of purchaser set forth herein are exclusive, and the total liability of OMEGA with respect to this order, whether based on contract, warranty, negligence, indemnification, strict liability or otherwise, shall not exceed the purchase price of the component upon which liability is based. In no event shall OMEGA be liable for consequential, incidental or special damages.**

CONDITIONS: Equipment sold by OMEGA is not intended to be used, nor shall it be used: (1) as a "Basic Component" under 10 CFR 21 (NRC), used in or with any nuclear installation or activity; or (2) in medical applications or used on humans. Should any Product(s) be used in or with any nuclear installation or activity, medical application, used on humans, or misused in any way, OMEGA assumes no responsibility as set forth in our basic WARRANTY/DISCLAIMER language, and, additionally, purchaser will indemnify OMEGA and hold OMEGA harmless from any liability or damage whatsoever arising out of the use of the Product(s) in such a manner.

## RETURN REQUESTS/INQUIRIES

Direct all warranty and repair requests/inquiries to the OMEGA Customer Service Department. BEFORE RETURNING ANY PRODUCT(S) TO OMEGA, PURCHASER MUST OBTAIN AN AUTHORIZED RETURN (AR) NUMBER FROM OMEGA'S CUSTOMER SERVICE DEPARTMENT (IN ORDER TO AVOID PROCESSING DELAYS). The assigned AR number should then be marked on the outside of the return package and on any correspondence.

The purchaser is responsible for shipping charges, freight, insurance and proper packaging to prevent breakage in transit.

FOR **WARRANTY** RETURNS, please have the following information available BEFORE contacting OMEGA:

1. Purchase Order number under which the product was PURCHASED,
2. Model and serial number of the product under warranty, and
3. Repair instructions and/or specific problems relative to the product.

FOR **NON-WARRANTY** REPAIRS, consult OMEGA for current repair charges. Have the following information available BEFORE contacting OMEGA:

1. Purchase Order number to cover the COST of the repair,
2. Model and serial number of the product, and
3. Repair instructions and/or specific problems relative to the product.

OMEGA's policy is to make running changes, not model changes, whenever an improvement is possible. This affords our customers the latest in technology and engineering.

OMEGA is a registered trademark of OMEGA ENGINEERING, INC.

© Copyright 2005 OMEGA ENGINEERING, INC. All rights reserved. This document may not be copied, photocopied, reproduced, translated, or reduced to any electronic medium or machine-readable form, in whole or in part, without the prior written consent of OMEGA ENGINEERING, INC.

# Where Do I Find Everything I Need for Process Measurement and Control? **OMEGA...Of Course!** *Shop online at [omega.com](http://omega.com)*

## **TEMPERATURE**

- Thermocouple, RTD & Thermistor Probes, Connectors, Panels & Assemblies
- Wire: Thermocouple, RTD & Thermistor
- Calibrators & Ice Point References
- Recorders, Controllers & Process Monitors
- Infrared Pyrometers

## **PRESSURE, STRAIN AND FORCE**

- Transducers & Strain Gages
- Load Cells & Pressure Gages
- Displacement Transducers
- Instrumentation & Accessories

## **FLOW/LEVEL**

- Rotameters, Gas Mass Flowmeters & Flow Computers
- Air Velocity Indicators
- Turbine/Paddlewheel Systems
- Totalizers & Batch Controllers

## **pH/CONDUCTIVITY**

- pH Electrodes, Testers & Accessories
- Benchtop/Laboratory Meters
- Controllers, Calibrators, Simulators & Pumps
- Industrial pH & Conductivity Equipment

## **DATA ACQUISITION**

- Data Acquisition & Engineering Software
- Communications-Based Acquisition Systems
- Plug-in Cards for Apple, IBM & Compatibles
- Datalogging Systems
- Recorders, Printers & Plotters

## **HEATERS**

- Heating Cable
- Cartridge & Strip Heaters
- Immersion & Band Heaters
- Flexible Heaters
- Laboratory Heaters

## **ENVIRONMENTAL MONITORING AND CONTROL**

- Metering & Control Instrumentation
- Refractometers
- Pumps & Tubing
- Air, Soil & Water Monitors
- Industrial Water & Wastewater Treatment
- pH, Conductivity & Dissolved Oxygen Instruments