

# SoftK56-PCI

## Host-Software Processed V.90/K56flex™

### Modem Device Family for Desktop Applications

#### Introduction

The Rockwell RS56-PCI (SoftK56) Host Software Processed V.90/K56flex™ Modem Device Family supports high speed analog data, 14.4 kbps fax, voice/TAM, and speakerphone (optional) operation. The modem operates with PSTN telephone lines in the U.S. and world-wide. Models are available in different packages with or without speakerphone support (see Table 1).

The SoftK56 modem family is available in three forms:

1. A single 144-pin thin quad flat pack (TQFP) that combines the PCI Bus Interface (BIF) and Line Codec (LC). This is the lowest cost device option. This device set also supports data/fax/voice/TAM with optional speakerphone using the Line/Voice Codec (LVC).
2. A 2-device set plug-compatible with Rockwell's RC56HCF-PCI host-controlled modem family. The two devices are the PCI Bus Interface in 176-pin TQFP and LVC in 144-pin TQFP. This device set supports data/fax/voice/TAM with optional speakerphone.
3. A 2-device set with a Line Codec (LC) in the smallest device footprint. The two devices are the PCI Bus Interface in 176-pin TQFP and LC in 32-pin TQFP. This device set supports data/fax/voice/TAM.

This device set is intended for application in PCI-based embedded motherboards, system boards, or plug-in cards designed for desktop use. Typical application block diagrams are illustrated in Figure 1.

Modem data pump and controller functions, traditionally enabled using dedicated hardware, are processed in a Pentium MMX-compatible CPU using host-signal processing modem software.

In ITU-T V.90/K56flex data mode, the modem can receive data at speeds up to 56 kbps from a digitally connected V.90 or K56flex-compatible central site modem. A V.90/K56flexmodem takes advantage of the PSTN which is primarily digital except for the client modem to central office local loop and are ideal for applications such as remote access to an Internet Service Provider (ISP), on-line service, or corporate site. In this mode, the modem can transmit data at speeds up to V.34 rates.

In V.34 data mode, the modem operates at line speeds up to 33.6 kbps. When applicable, error correction (V.42/MNP 2-4) and data compression (V.42 bis/MNP 5) maximize data transfer integrity and boost average data throughput. Non-error-correcting mode is also supported.

All models support remote audio recording and remote audio playback over the telephone line interface using A-Law,  $\mu$ -Law, or linear coding at 8000 or 7200 Hz sample

rate to support applications such as digital telephone answering machine (TAM) and voice annotation.

SP models support position independent, full-duplex speakerphone (FDSP).

Fax Group 3 send and receive rates are supported up to 14.4 kbps with T.30 protocol.

V.80 synchronous access mode supports host-controlled communication protocols, e. g., H.324 video conferencing.

Reference design kits are available to minimize application design time and costs.

#### Features

- Data modem
  - ITU-T V.90, K56flex, V.34 (33.6 kbps), V.32 bis, V.32, V.22 bis, V.22, V.23, and V.21; Bell 212A and 103
  - V.42 LAPM and MNP 2-4 error correction
  - V.42 bis and MNP 5 data compression
  - V.250 (ex V.25 ter) and V.251 (ex V.25 ter Annex A) commands
- Fax modem send and receive rates up to 14.4 kbps
  - ITU-T V.17, V.29, V.27 ter, and V.21 channel 2
  - EIA/TIA 578 Class 1 and T.31 Class 1.0 commands
- Voice, telephony, TAM
  - V.253 commands
  - 8-bit  $\mu$ -Law/A-Law coding (G.711)
  - 8-bit/16-bit linear coding
  - 8000/7200 Hz sample rate
  - Music on hold from host or analog hardware input
  - TAM support with concurrent DTMF detect, ring detect and caller ID
- V.80 synchronous access mode supports host-controlled communication protocols
  - H.324 interface support
- V.8/V.8bis and V.251 (ex V.25 ter Annex A) commands
- Speakerphone model (optional)
  - Telephone handset interface
  - External microphone and speaker interface
- Full-duplex Speakerphone (FDSP) Mode (SP model)
  - Microphone gain and muting
  - Speaker volume control and muting
  - Adaptive acoustic, line, and handset echo cancellation
  - Loop gain control, transmit and receive path AGC
  - Switching to/from data and fax
- Data/Fax/Voice call discrimination
- Multiple country support
  - Call progress, blacklisting
- Single profile stored in host
- Modem and audio paths concurrent across PCI bus

**Features (Continued)**

- System compatibilities
  - Windows 95, Windows 95 OSR2, Windows 98, Windows NT 4.0, Windows NT 5.0 operating systems
  - Microsoft's PC 98 Design Initiative compliant
  - Unimodem/V compliant
- 32-bit PCI Local Bus interface
  - Conforms to the PCI Local Bus Specification, Production Version, Revision 2.1
  - PCI Bus Mastering interface to the LVC
  - 33 MHz PCI clock support
- Supports PCI Bus Power Management
  - Conforms to PCI Bus Power Management Specification, Rev. 1.1
  - ACPI Power Management Registers
  - PME# and APM support
- Device packages:
  - BIF and LVC in a single 144-pin TQFP
  - BIF in 176-pin TQFP and LC in 32-pin TQFP
  - BIF in 176-pin TQFP and LVC in 144-pin TQFP
- +3.3V operation with +5V tolerant digital inputs
- +5V (recommended) or +3.3V analog operation

**Table 1. Modem Models and Functions**

| Single Device Models in 144-Pin TQFP - with or without Speakerphone Capability                                 |                         |   |  |  |      |
|--|-------------------------|---|--|--|------|
| Model/Order/Part Numbers   |                         |   | Supported Functions                          |  |      |
| Marketing Model Number <sup>1</sup>  | Device Set Order Number | Combined PCI Bus Interface (BIF) and Line/Voice Codec (LVC) or Line Codec (LC) Part No. |  | V.90 and K56flex Data, Voice/TAM, V.17 Fax | FDSP |
| RS56-PCI   | DS56-L480-041           | R6793-12 (BIF + LC)   |  | Y  | –    |
| RS56/SP-PCI  | DS56-L480-031           | R6793-11 (BIF + LVC)  |  | Y  | Y    |
| Two Device Models in 176-Pin TQFP and 32-Pin TQFP - RC56HCF-PCI Pin Compatible without Speakerphone Capability |                         |   |  |  |      |
| Model/Order/Part Numbers   |                         |   |  | Supported Functions                        |      |
| Marketing Model Number <sup>1</sup>  | Device Set Order Number | PCI Bus Interface (BIF) 176-Pin TQFP Part No.   | Line Codec (LC) 32-Pin TQFP Part No.         | V.90 and K56flex Data, Voice/TAM, V.17 Fax | FDSP |
| RS56-PCI   | DS56-L482-031           | 11235-14  | 20437-11                                     | Y  | –    |
| Two Device Models in 176-Pin TQFP and 144-Pin TQFP - RC56HCF-PCI Pin Compatible with Speakerphone Capability   |                         |   |  |  |      |
| Model/Order/Part Numbers   |                         |   |  | Supported Functions                        |      |
| Marketing Model Number <sup>1</sup>  | Device Set Order Number | PCI Bus Interface (BIF) 176-Pin TQFP Part No.   | Line/Voice Codec (LVC) 144-Pin TQFP Part No. | V.90 and K56flex Data, Voice/TAM, V.17 Fax | FDSP |
| RS56/SP-PCI  | DS56-L481-061           | 11235-14  | 20410-14                                     | Y  | Y    |
| <b>Notes:</b>  |                         |   |  |  |      |
| 1. Model options:  |                         |   |  |  |      |
| SP   |                         | Speakerphone  |  |  |      |
| 2. Supported functions (Y = Supported; – = Not supported):   |                         |   |  |  |      |
| FDSP   |                         | Full-duplex speakerphone  |  |  |      |
| Voice/TAM  |                         | Voice and telephone answering machine   |  |  |      |

K56flex is a trademark of Rockwell International and Lucent Technologies.

MNP is a trademark of Compaq Computer Corporation.

Microsoft and Windows are registered trademarks of Microsoft Corporation.



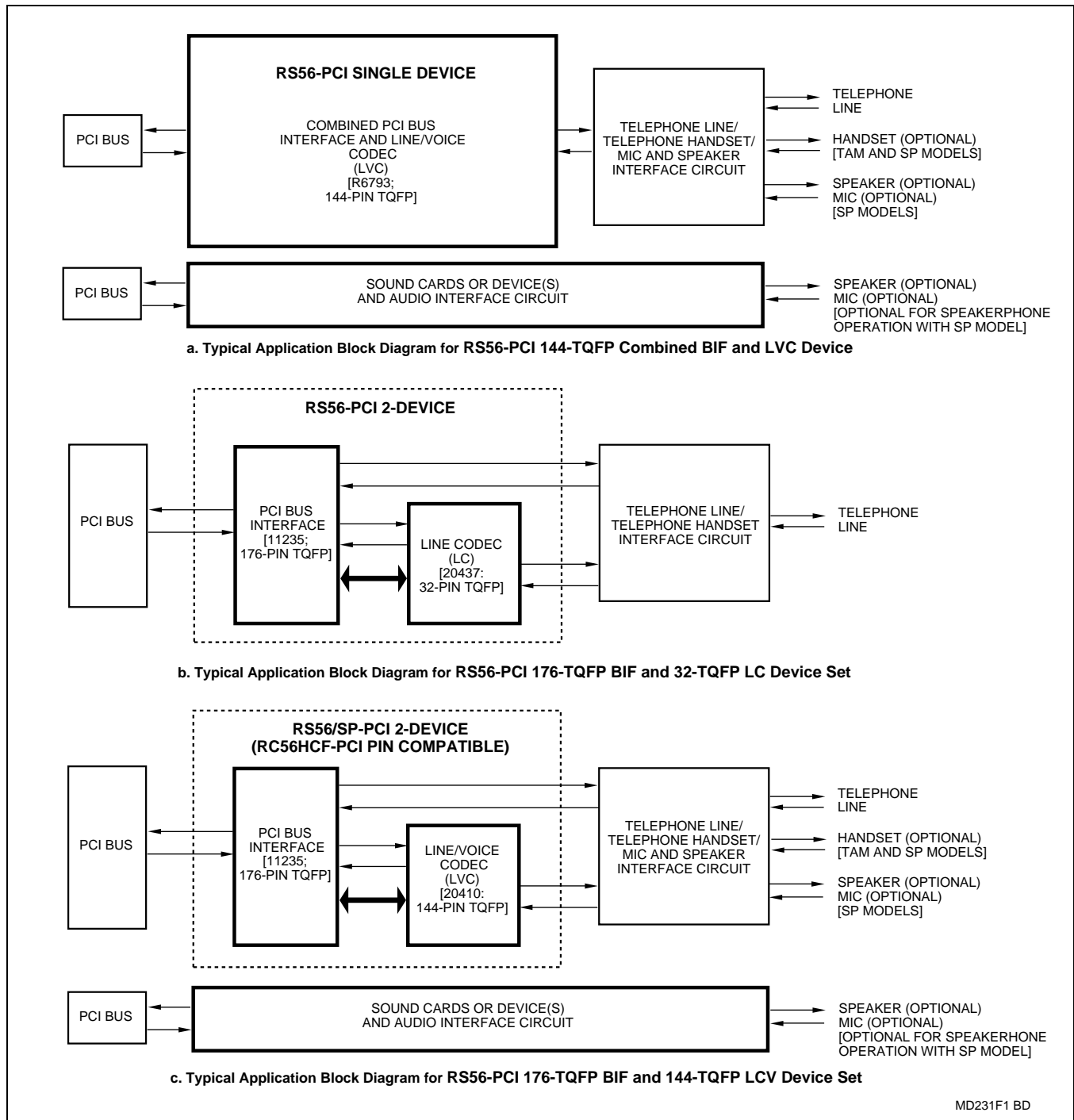


Figure 1. RS56-PCI Configuration Block Diagrams

## Description

### General

The RS56-PCI Device Sets provide the processing core for a complete system design featuring data/fax modem, voice/TAM, and speakerphone depending on specific model (Table 1).

Note: The term, "SoftK56", refers to the family of modem models listed in Table 1.

The modem is the full-featured, self-contained data modem, fax modem, voice/TAM, and speakerphone (optional) solution. These functions, as well as dialing, call progress, telephone line interface and host interface functions are supported and controlled through the command set.

The modem hardware connects to the host PC via a PCI bus interface. The OEM adds a crystal circuit, telephone line interface, telephone interface (optional), and audio interface (optional) to complete the system.

### Host-Processed Modem Software

The host-processed modem software performs two distinct tasks:

1. General modem control, which includes command sets, fax Class 1, voice/TAM, speakerphone, error correction, data compression, and operating system interface functions.
2. Modem data pump signal processing, which includes data and facsimile modulation and demodulation, as well as voice sample formatting.

Configurations of the modem software are provided to support modem models listed in Table 1.

Binary executable modem software is provided for the OEM.

### Data/Fax Modes

As a V.90/K56flex data modem, the modem can receive data from a digital source using a V.90- or K56flex-compatible central site modem over the digital telephone network portion of the PSTN at line speeds up to 56 kbps. Asymmetrical data transmission supports sending data up to V.34 rates. This mode can fallback to full-duplex V.34 mode, and to slower rates as dictated by line conditions.

As a V.34 data modem, the modem can operate in 2-wire, full-duplex, asynchronous modes at line rates up to 33.6 kbps. Data modem modes perform complete handshake and data rate negotiations. Using V.34 modulation to optimize modem configuration for line conditions, the modem can connect at the highest data rate that the channel can support from 33600 bps down to 2400 bps with automatic fallback. Automode operation in V.34 is provided in accordance with PN3320 and in V.32 bis in accordance with PN2330. All tone and pattern detection functions required by the applicable ITU or Bell standard are supported.

In fax modem mode, the modem can operate in 2-wire, half-duplex, synchronous modes and can support Group 3 facsimile send and receive speeds of 14400, 12000, 9600, 7200, 4800, or 2400 bps. Fax data transmission

and reception performed by the modem are controlled and monitored through the fax EIA/IA-578 Class 1 and T.31 Class 1.0 command interface. Full HDLC formatting, zero insertion/deletion, and CRC generation/checking are provided.

### Synchronous Access Mode (SAM) - Video Conferencing

V.80 synchronous access mode between the modem and the host/DTE is provided for host-controlled communication protocols, e.g., H.324 video conferencing applications.

Voice-call-first (VCF) before switching to a videophone call is also supported.

### Voice/TAM Mode

Voice/TAM Mode features include 8-bit  $\mu$ -Law, A-Law, and linear coding at 8000 Hz and 7200 Hz sample rates. Tone detection/generation, call discrimination, and concurrent DTMF detection are also supported. ADPCM coding is also supported to meet Microsoft WHQL logo requirements.

Voice/TAM Mode is supported by three submodes:

1. Online Voice Command Mode supports connection to the telephone line or, for SP models, a handset.
2. Voice Receive Mode supports recording voice or audio data input at the RIN pin, typically from the telephone line or, for SP models, a microphone/handset.
3. Voice Transmit Mode supports playback of voice or audio data to the TXA1/TXA2 output, typically to the telephone line or, for SP models, a speaker/handset.

### Speakerphone Mode (SP Models)

The SP model includes an additional telephone handset, external microphone, and external speaker interface which supports voice and full-duplex speakerphone (FDSP) operation. The Speakerphone Mode features an advanced proprietary speakerphone algorithm which supports full-duplex voice conversation with acoustic, line, and handset echo cancellation. Parameters are constantly adjusted to maintain stability with automatic fallback from full-duplex to pseudo-duplex operation. The speakerphone algorithm allows position independent placement of microphone and speaker.

The speakerphone mode provides hands-free full-duplex telephone operation under host control. The host can separately control volume, muting, and AGC in microphone and speaker channels.

The speakerphone mode also supports Voice/TAM Mode connection to a handset.

## Hardware Interface Signals

The major functional interface signals are shown in Figure 2.

### Bus Interface and Codec (BIC) Interface

The BIC (R6793) 144-pin TQFP hardware interface signals are shown in Figure 3.

The BIC (R6793) 144-pin TQFP pin assignments are shown in Figure 4.

### Bus Interface (BIF) Interface

The BIF (11235) 176-pin TQFP hardware interface signals are shown in Figure 5.

The BIF (11235) 176-pin TQFP pin assignments are shown in Figure 6.

### Line/Voice Codec (LVC) Interface

The LVC (20410) 144-pin TQFP hardware interface signals are shown in Figure 7.

The LVC (20410) 144-pin TQFP pin assignments are shown in Figure 8.

### Line Codec (LC) Interface

The LC (20437) 32-pin TQFP hardware interface signals are shown in Figure 9.

The LC (20437) 32-pin TQFP pin assignments are shown in Figure 10.

## Package Dimensions

The package dimensions are shown in Figure 11 (176-pin TQFP), Figure 12 (144-pin TQFP), and Figure 13 (32-pin TQFP).

## Electrical and Environmental Specifications

The current and power requirements are listed in Table 2.

The absolute maximum ratings are listed in Table 3.

## Additional Information

Additional information is described in the SoftK56-PCI Designer's Guide (Order No. 1201) and in the Command Reference Manual (Order No. 1163).

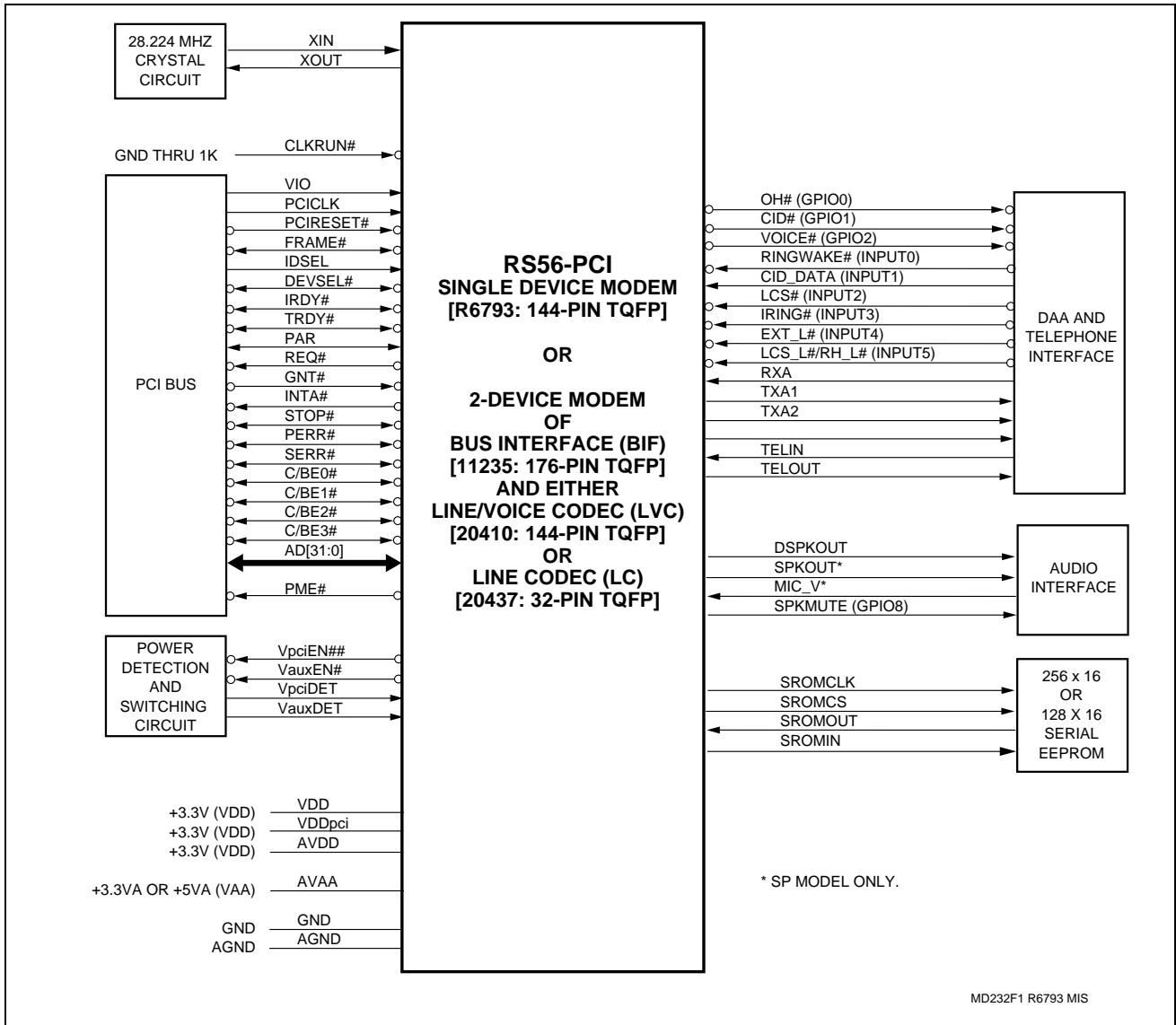


Figure 2. RS56-PCI Major Interface Signals

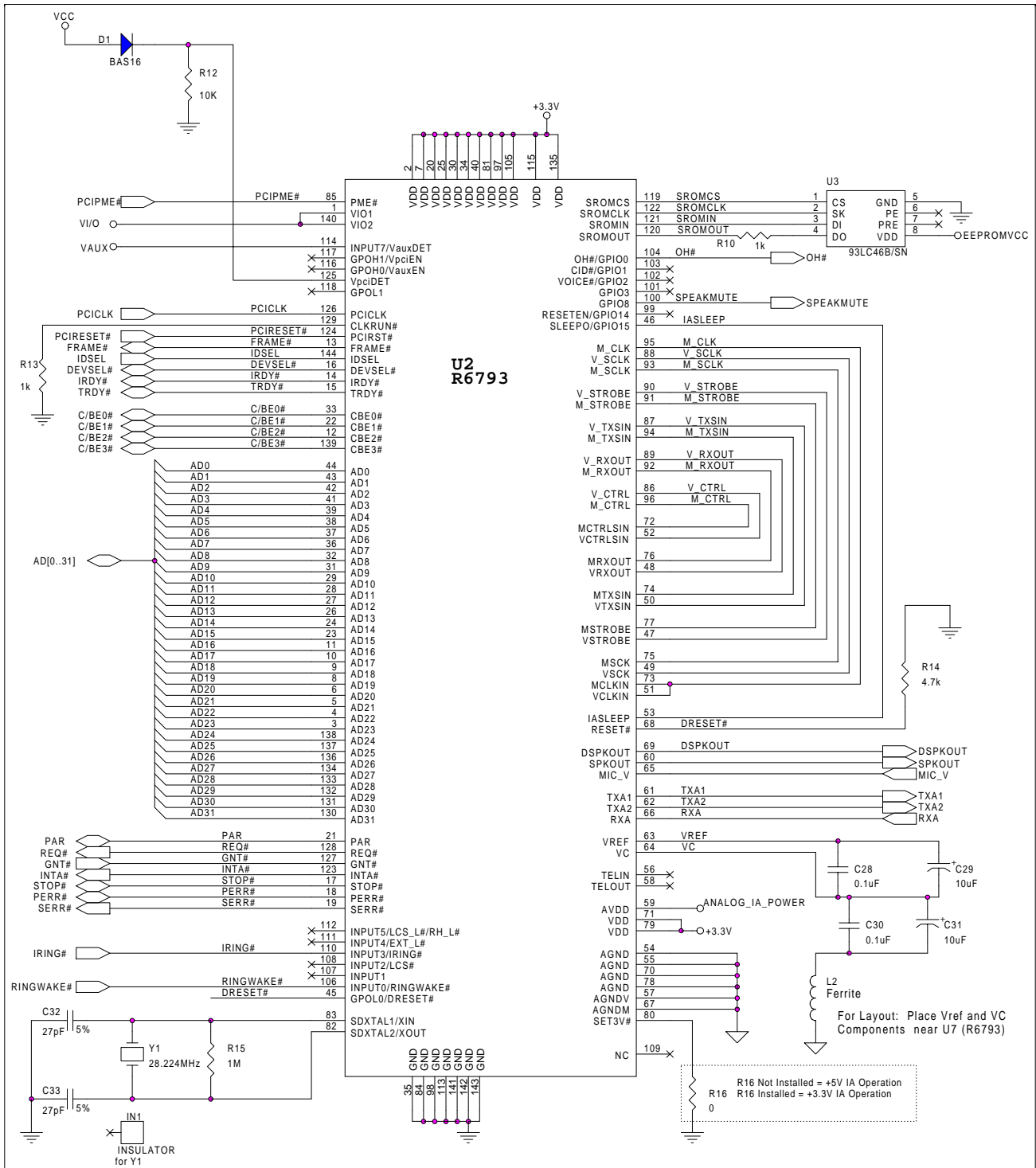


Figure 3. Bus Interface/Codec (BIC) (R6793: 144-Pin TQFP) Hardware Interface Signals

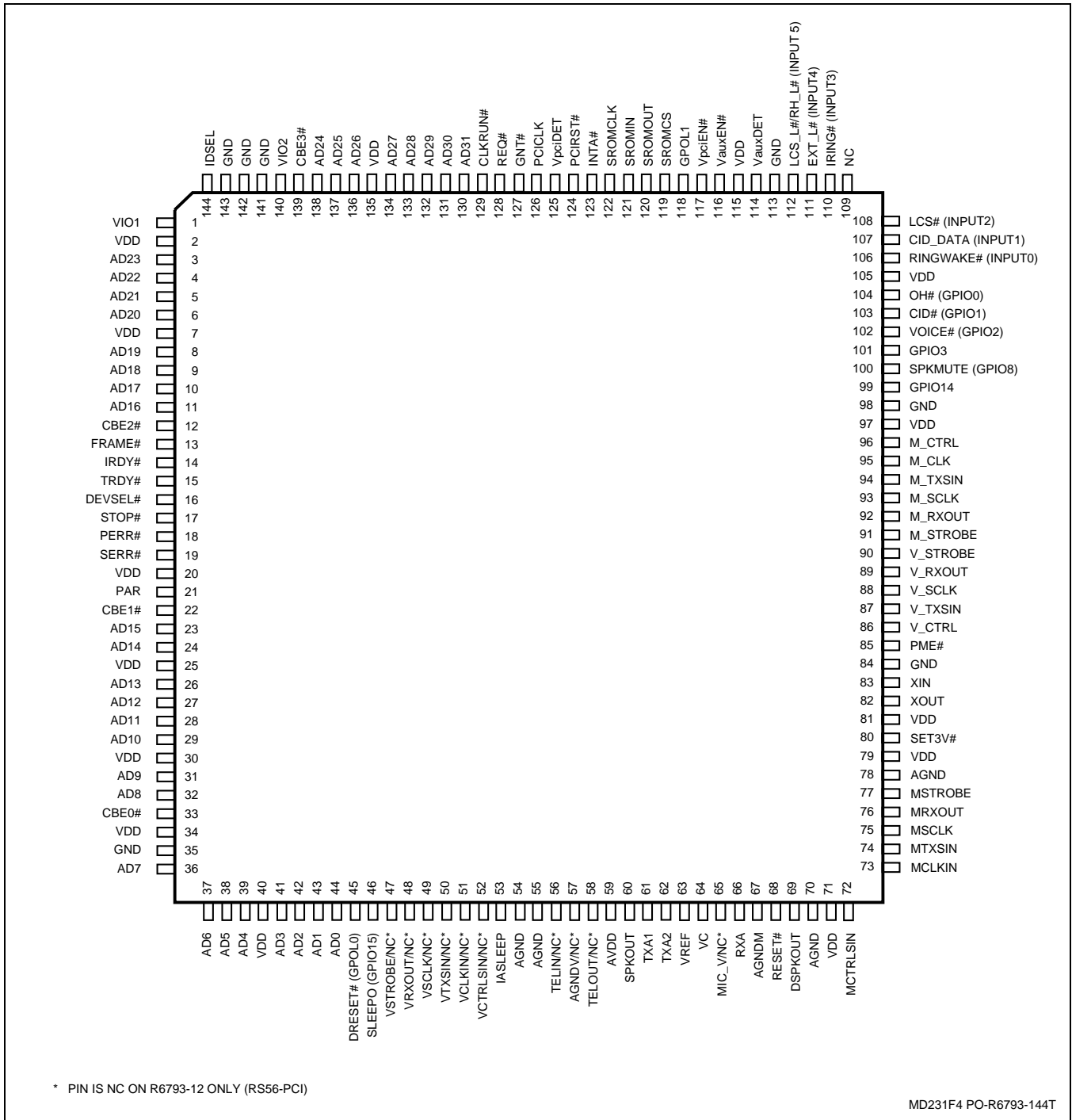


Figure 4. BIC (R6793: 144-Pin TQFP) Pin Signals



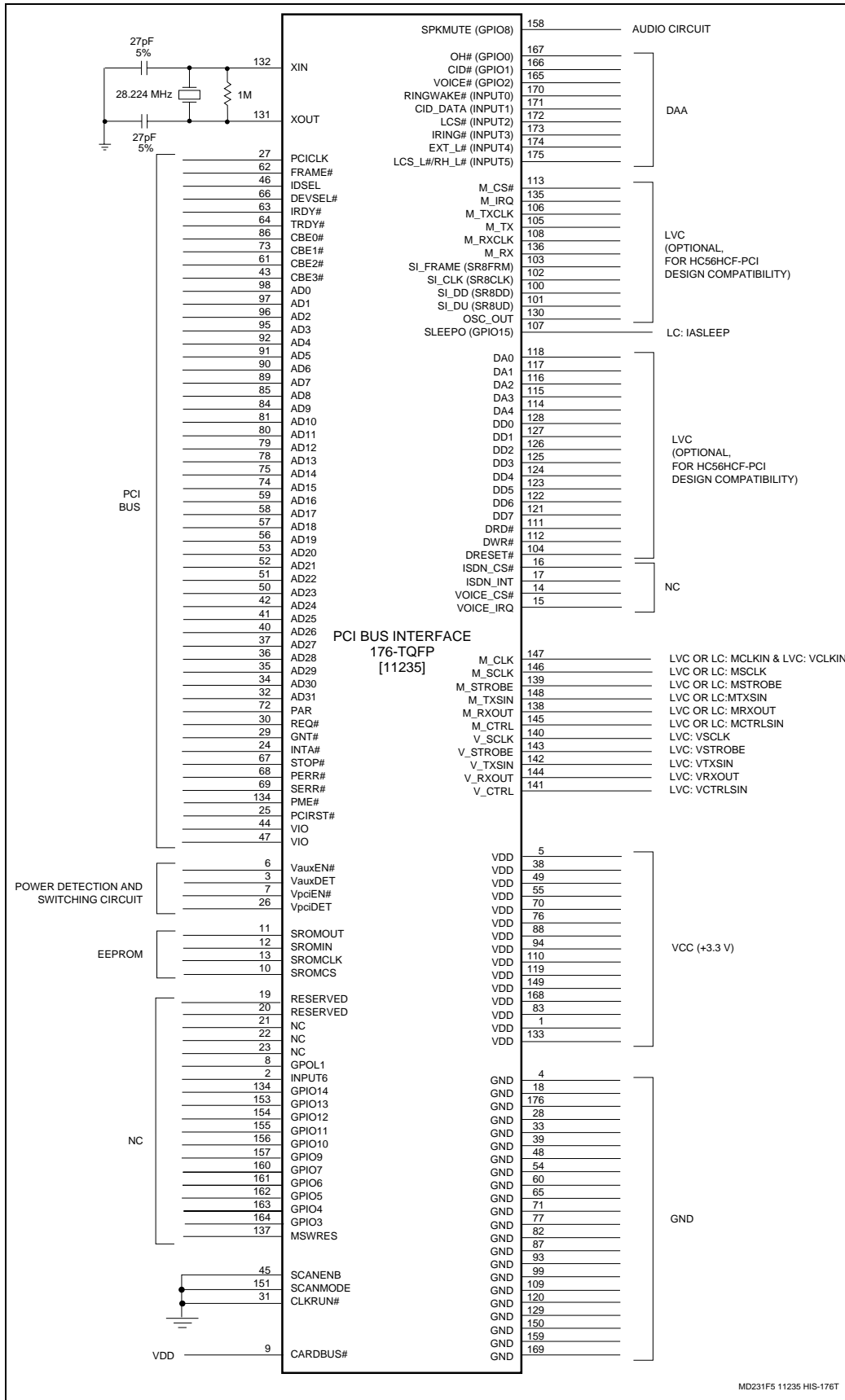


Figure 5. Bus Interface (BIF) (11235: 176-Pin TQFP) Hardware Interface Signals

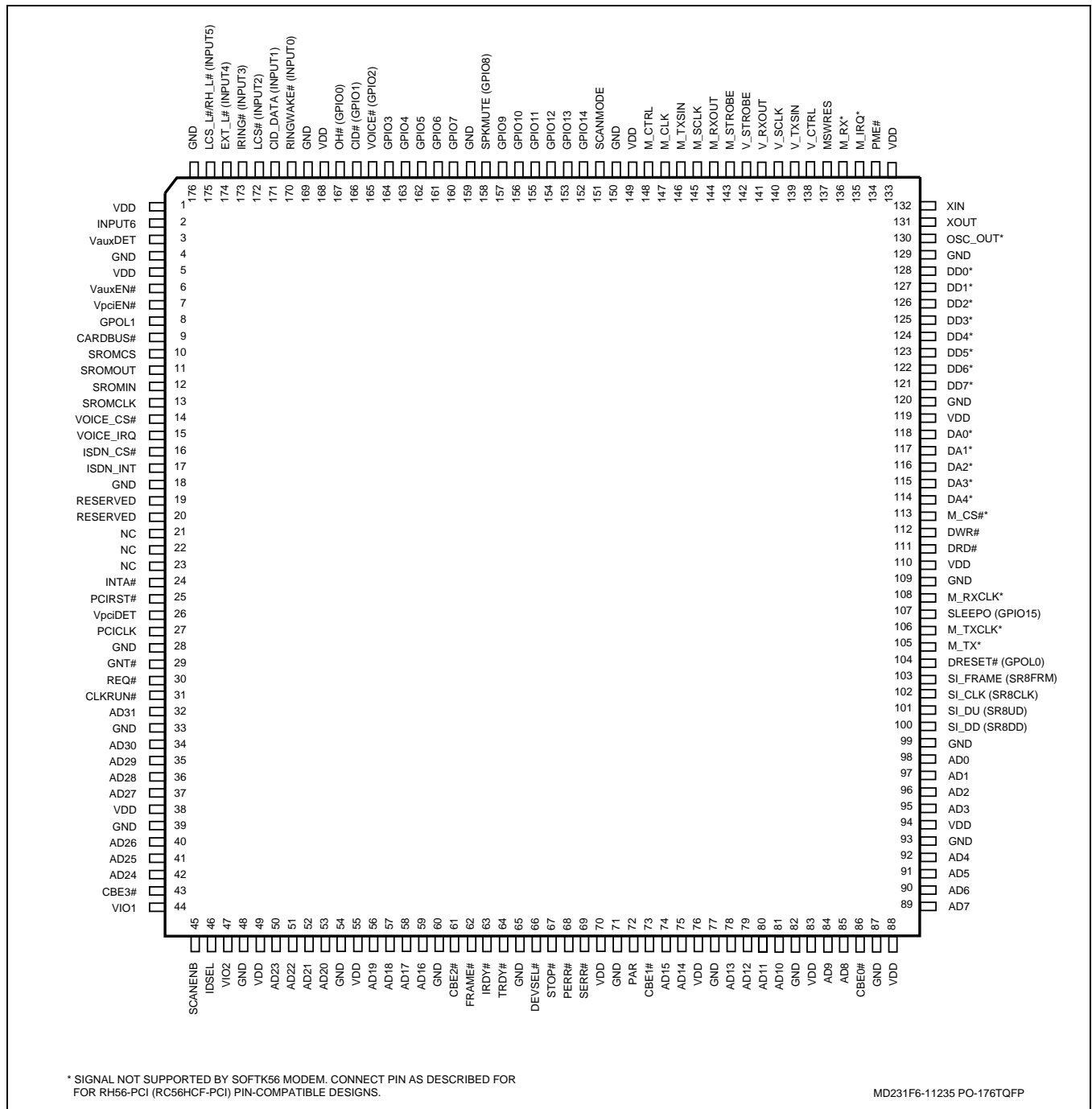


Figure 6. BIF (11235: 176-Pin TQFP) Pin Signals

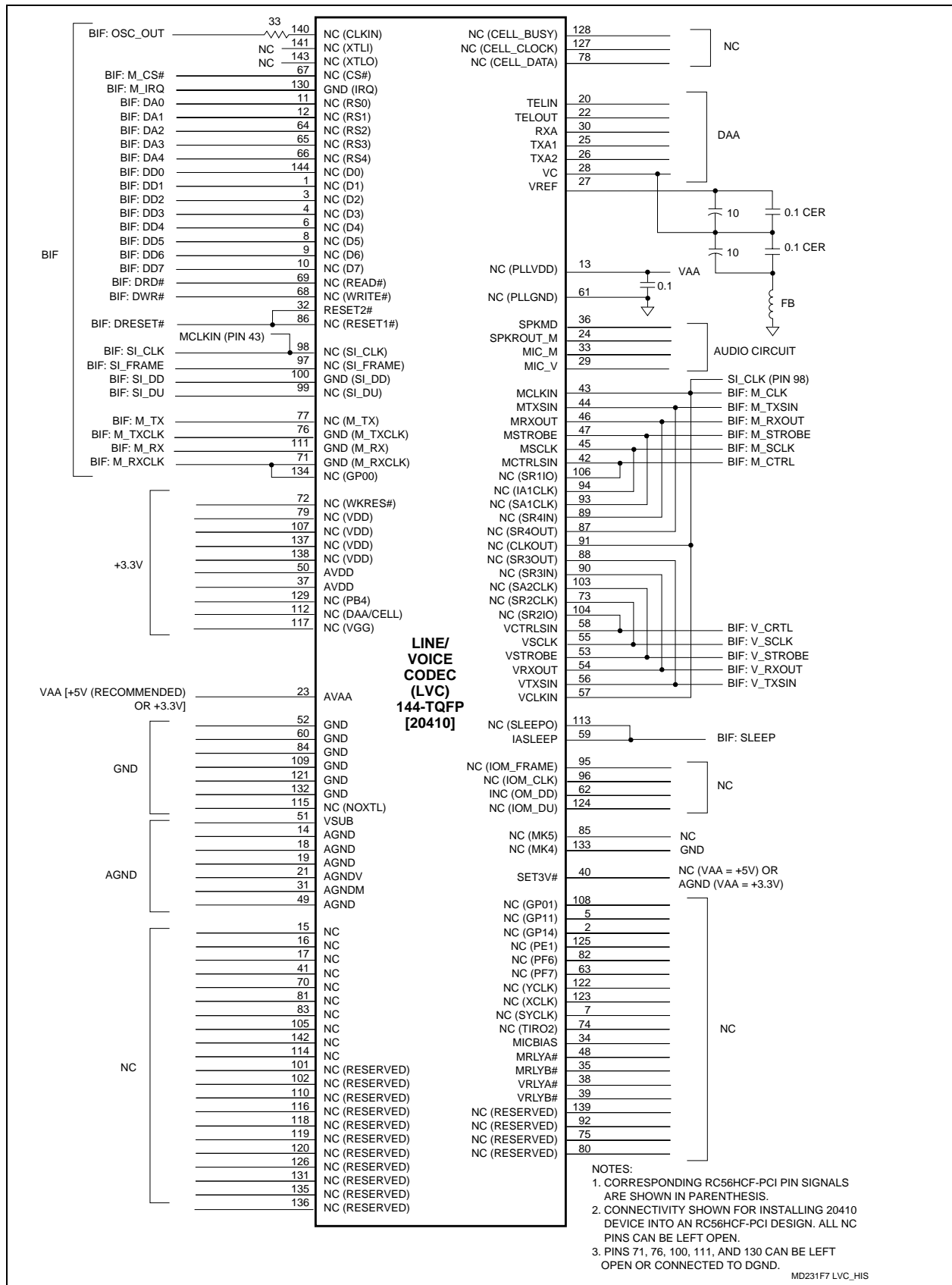


Figure 7. Line/Voice Codec (LVC) (20410: 144-Pin TQFP) Hardware Interface Signals

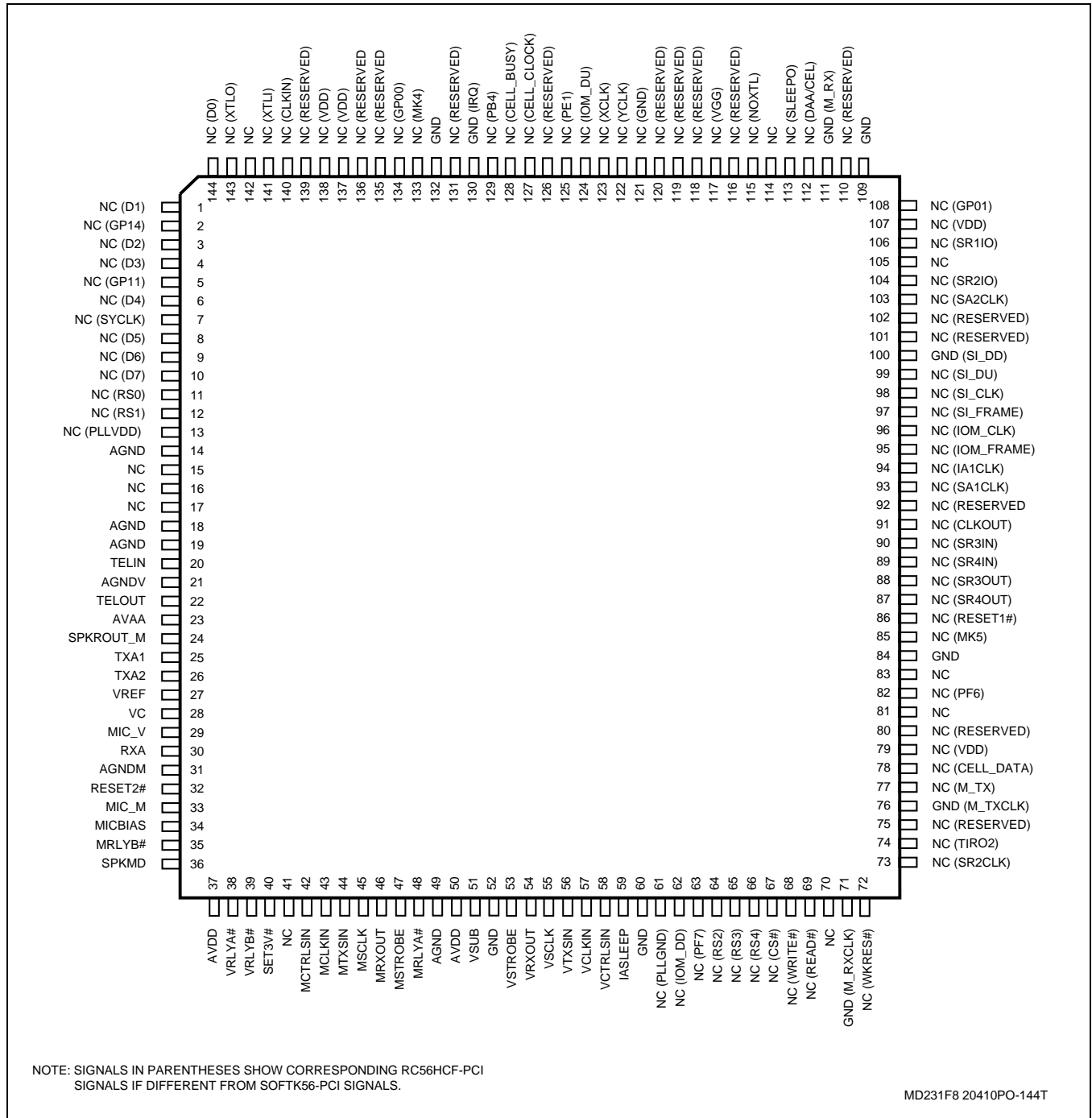


Figure 8. LVC (20410: 144-Pin TQFP) Pin Signals

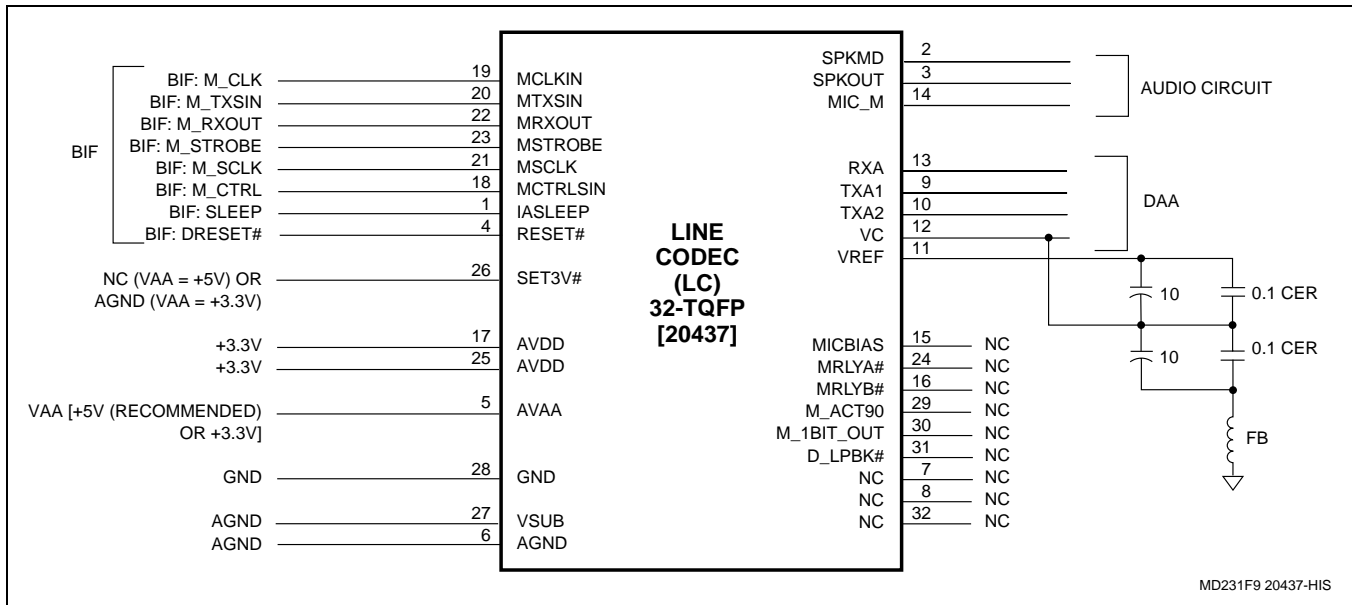


Figure 9. Line Codec (LC) (20437: 32-Pin TQFP) Hardware Interface Signals

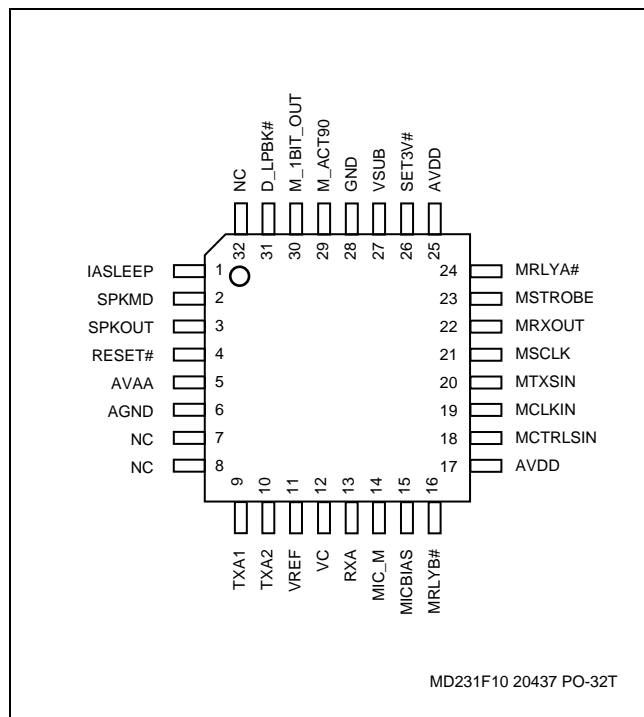


Figure 10. LC (20437: 32-Pin TQFP) Pin Signals

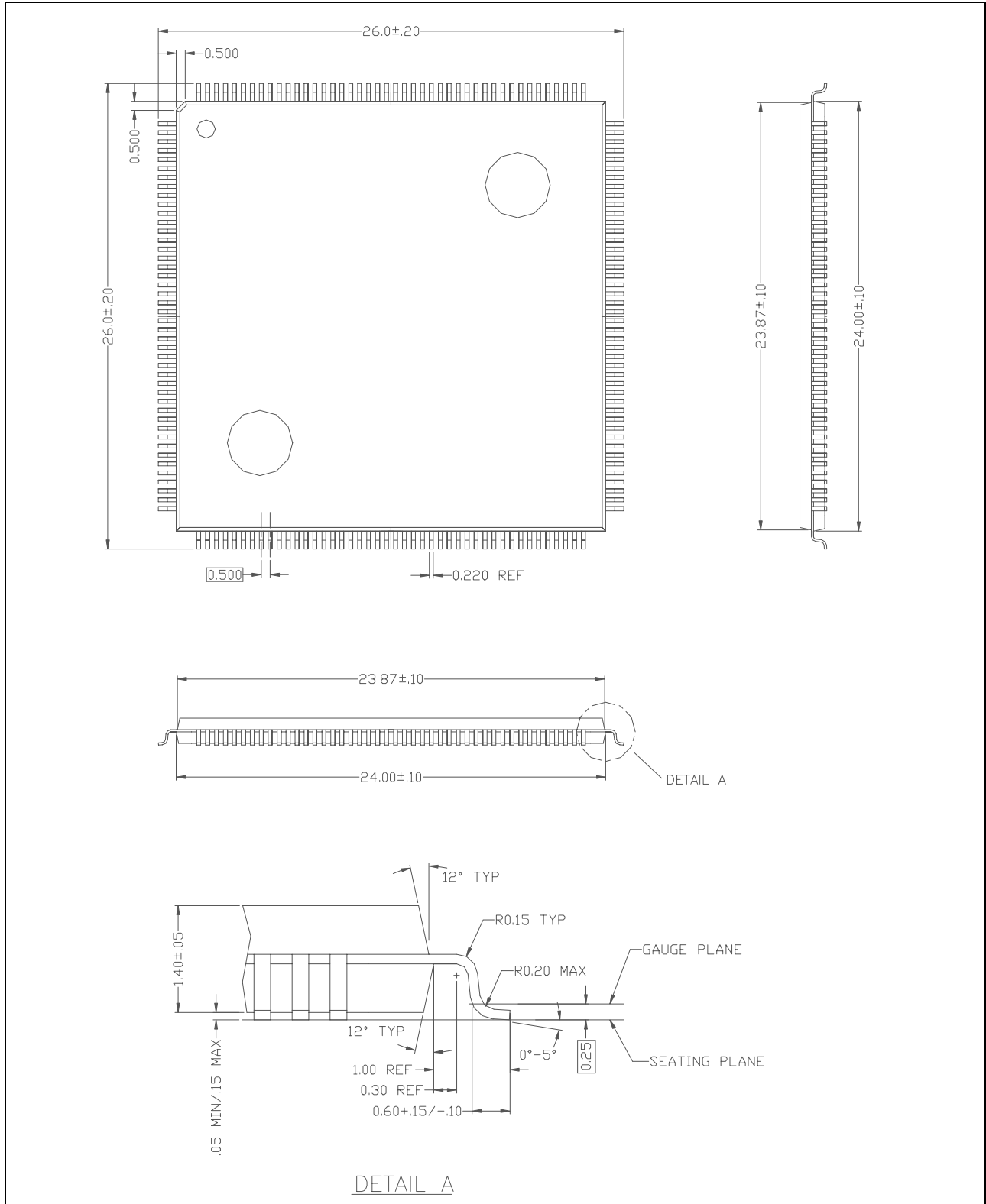


Figure 11. Package Dimensions - 176-Pin TQFP

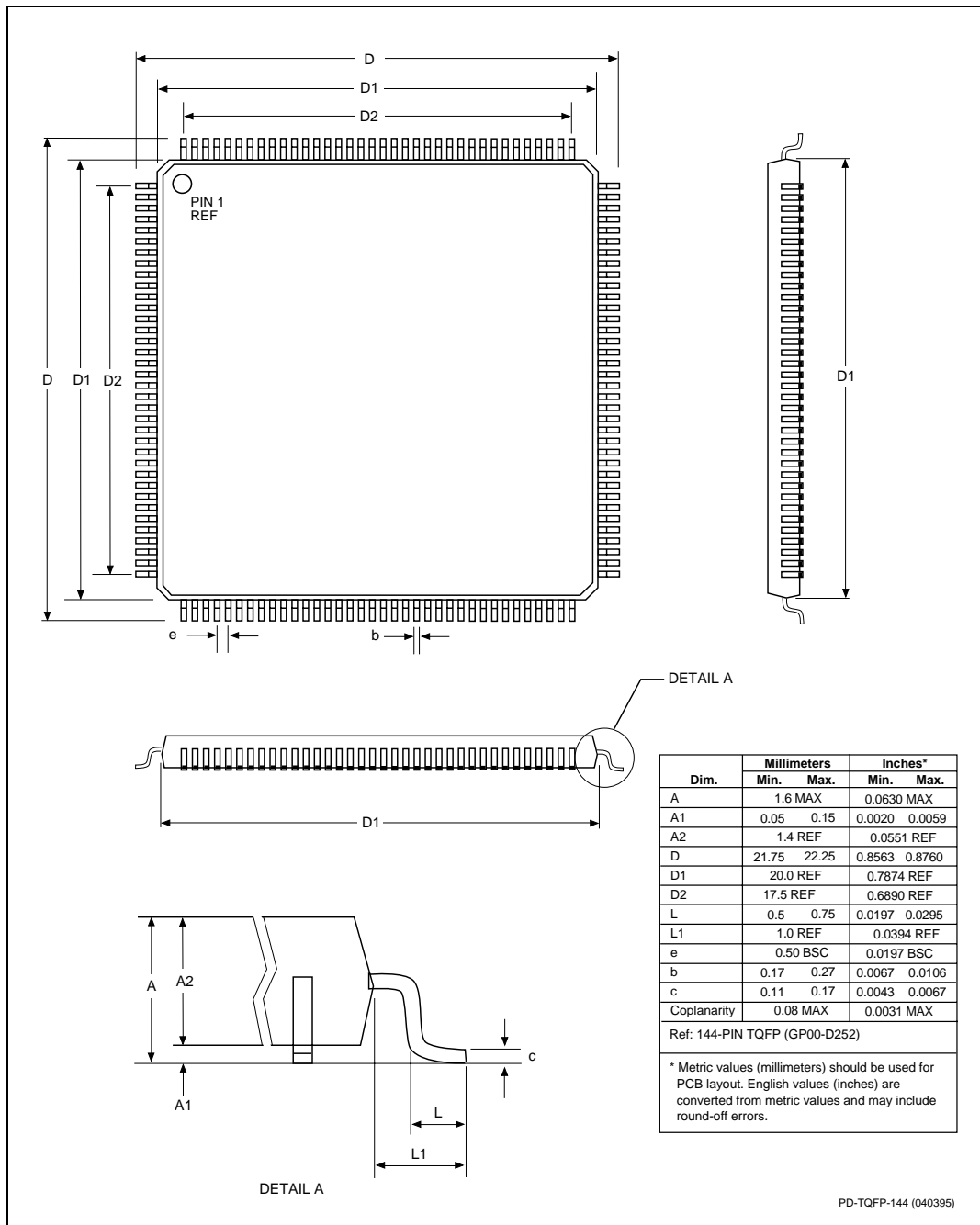


Figure 12. Package Dimensions - 144-Pin TQFP

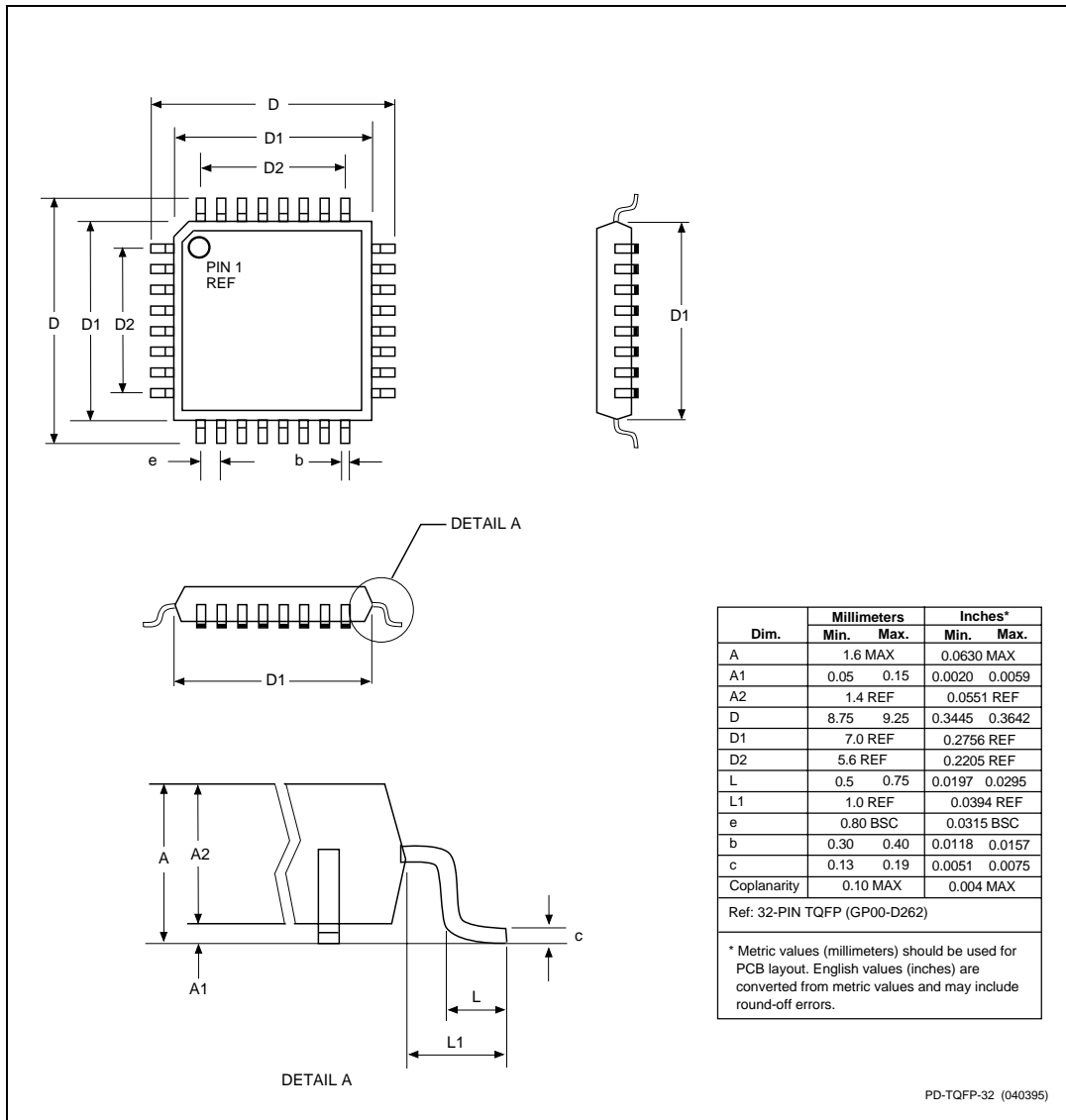


Figure 13. Package Dimensions - 32-Pin TQFP



Table 2. Current and Power Requirements

| Device State (Dx)<br>and Bus State (Bx)   | Conditions   |                       |                    | Current                 |                         | Power                 |                       |
|---|--|-----------------------|--------------------|-------------------------|-------------------------|-----------------------|-----------------------|
|   | PCI Bus<br>Power   | PCI Clock<br>(PCICLK) | Line<br>Connection | Typical<br>Current (mA) | Maximum<br>Current (mA) | Typical<br>Power (mW) | Maximum<br>Power (mW) |
| <b>Single Device (R6793-12 BIC) and 2-Device Set (11235-14 BIF and 20437-11 LC)</b>       |  |                       |                    |                         |                         |                       |                       |
| D0, B0  | On   | Running               | Yes                | 33                      | 36                      | 109                   | 130                   |
| D0, B0  | On   | Running               | No                 | 22                      | 24                      | 73                    | 86                    |
| D3, B0  | On   | Running               | No                 | 22                      | 24                      | 73                    | 86                    |
| D3, B1  | On   | Running               | No                 | 22                      | 24                      | 73                    | 86                    |
| D3, B2, B3 (D3 hot)   | On   | Stopped               | No                 | 2.1                     | 3.2                     | 6.9                   | 11.5                  |
| D3, B3 (D3 cold)  | Off  | Stopped               | No                 | <1                      | 1                       | <3.3                  | 3.6                   |
| <b>Single Device (R6793-11 BIC) and 2-Device Set (11235-14 BIF and 20410-11 LVC)</b>      |  |                       |                    |                         |                         |                       |                       |
| D0, B0  | On   | Running               | Yes                | 33                      | 36                      | 109                   | 130                   |
| D0, B0  | On   | Running               | No                 | 22                      | 24                      | 73                    | 86                    |
| D3, B0  | On   | Running               | No                 | 22                      | 24                      | 73                    | 86                    |
| D3, B1  | On   | Running               | No                 | 22                      | 24                      | 73                    | 86                    |
| D3, B2, B3 (D3 hot)   | On   | Stopped               | No                 | 2.1                     | 3.2                     | 6.9                   | 11.5                  |
| D3, B3 (D3 cold)  | Off  | Stopped               | No                 | <1                      | 1                       | <3.3                  | 3.6                   |
| <b>Notes:</b>   |  |                       |                    |                         |                         |                       |                       |
| Operating voltage: VDD = +3.3V ± 0.3V.  |  |                       |                    |                         |                         |                       |                       |
| Test conditions: VDD = +3.3 VDC for typical values; VDD = +3.6 VDC for maximum values.    |  |                       |                    |                         |                         |                       |                       |
| For all modes, +3.3V is supplied to BIF and LVC and LC.                                   |  |                       |                    |                         |                         |                       |                       |
| Definitions:  |  |                       |                    |                         |                         |                       |                       |
| PCI Bus Power   | On: PCI Bus +5V and +3.3V on (modem normally powered by +3.3V from PCI Bus +3.3V or regulated down from PCI Bus +5V); PCI RST# not asserted.<br>Off: PCI Bus +5V and +3.3V off (modem normally powered by +3.3V from Vaux or Vpci); PCI RST# asserted.     |                       |                    |                         |                         |                       |                       |
| PCI Clock (PCICLK)  | Running: PCI Bus signal PCICLK running;<br>Stopped: PCI Bus signal PCICLK stopped (off).   |                       |                    |                         |                         |                       |                       |
| Line connection:  | Yes: Off-hook, IA powered.<br>No: On-hook, IA powered down.  |                       |                    |                         |                         |                       |                       |
| Device States:  | D3: Low power state. Suspend state can change the system power state; the resulting power state depends on the system architecture (OS, BIOS, hardware) and system configuration (i.e., other PCI installed cards).<br>D0: Full power state.               |                       |                    |                         |                         |                       |                       |
| Device and Bus States:  | D0, B0: Any PCI transaction, PCICLK running, VCC present.<br>D3, B1: No PCI Bus transactions, PCICLK running, VCC present.<br>D3, B2, B3: No PCI transactions, PCICLK stopped, VCC may be present.<br>D3, B3: No PCI transactions, PCICLK stopped, no VCC. |                       |                    |                         |                         |                       |                       |
| Refer to the PCI Bus Power Management Interface Specification for additional information. |  |                       |                    |                         |                         |                       |                       |

Table 3. Absolute Maximum Ratings

| Parameter  | Symbol     | Limits  | Units |
|--|------------|---|-------|
| Supply Voltage   | $V_{DD}$   | -0.5 to +4.0  | V     |
| Input Voltage  | $V_{IN}$   | -0.5 to (VDD +0.5) (BIF)<br>-0.5 to (VGG +0.5)* (LVC) | V     |
| Operating Temperature Range                              | $T_A$      | -0 to +70   | °C    |
| Storage Temperature Range                                | $T_{STG}$  | -55 to +125   | °C    |
| Analog Inputs  | $V_{IN}$   | -0.3 to (VAA + 0.5)                                   | V     |
| Voltage Applied to Outputs in High Impedance (Off) State | $V_{HZ}$   | -0.5 to (VDD +0.5) (BIF)<br>-0.5 to (VGG +0.5)* (LVC) | V     |
| DC Input Clamp Current                                   | $I_{IK}$   | ±20   | mA    |
| DC Output Clamp Current                                  | $I_{OK}$   | ±20   | mA    |
| Static Discharge Voltage (25°C)                          | $V_{ESD}$  | ±2500   | V     |
| Latch-up Current (25°C)                                  | $I_{TRIG}$ | ±400  | mA    |
| * VGG = 5.0V ± 0.25V or +3.3V ± 0.3V.                    |            |   |       |

## NOTES

*Information provided by Rockwell International Corporation is believed to be accurate and reliable. However, no responsibility is assumed by Rockwell International for its use, nor any infringement of patents or other rights of third parties which may result from its use. No license is granted by implication or otherwise under any patent rights of Rockwell International other than for circuitry embodied in Rockwell products. Rockwell International reserves the right to change circuitry at any time without notice. This document is subject to change without notice.*

**Worldwide Headquarters**  
Rockwell Semiconductor Systems  
4311 Jamboree Road,  
P. O. Box C  
Newport Beach, CA 92658-8902  
Phone: (949) 221-4600  
Fax: (949) 221-6375

For more information:  
**Call 1-800-854-8099**  
International information:  
**Call 1-949-221-6996**

URL Address:  
<http://www.rss.rockwell.com>  
E-Mail Address:  
[literature@rss.rockwell.com](mailto:literature@rss.rockwell.com)

#### REGIONAL SALES OFFICES

**US Northwest/Pacific Northwest**  
Rockwell Semiconductor Systems  
US Northwest Office  
3600 Pruneridge Avenue  
Suite 100  
Santa Clara, CA 95051  
Phone: (408) 249-9696  
Fax: (408) 249-7113

**US Los Angeles**  
Rockwell Semiconductor Systems  
1000 Business Center Circle  
Suite 215  
Thousand Oaks, CA 91320  
Phone: (805) 376-0559  
Fax: (805) 376-8180

**US Southwest**  
Rockwell Semiconductor Systems  
5000 Birch Street  
Suite 400  
Newport Beach, CA 92660  
Phone: (949) 222-9119  
Fax: (949) 222-0620

**US North Central**  
Rockwell Semiconductor Systems  
Two Pierce Place  
Chancellor Park  
Suite 810  
Itasca, IL 60143  
Phone: (630) 773-3454  
Fax: (630) 773-3907

**US South Central**  
Rockwell Semiconductor Systems  
17304 Preston Road  
Suite 970  
Dallas, TX 75252  
Phone: (972) 733-0723  
Fax: (972) 407-0639

**US Northeast**  
Rockwell Semiconductor Systems  
239 Littleton Road  
Suite 4A  
Westford, MA 01886  
Phone: (508) 692-7660  
Fax: (508) 692-8185

**US Southeast**  
Rockwell Semiconductor Systems  
3500 Parkway Lane, Suite 415  
Norcross, GA 30092  
Phone: (770) 246-8283  
Fax: (770) 246-0018

**US Florida/South America**  
Rockwell Semiconductor Systems  
One Prestige Place  
2600 McCormick Drive  
Suite 350  
Clearwater, FL 33759  
Phone: (813) 799-8406  
Fax: (813) 799-8306

**US Mid-Atlantic**  
Rockwell Semiconductor Systems  
Princeton Pike Corporate Center  
993 Lenox Drive, Suite 200  
Lawrenceville, NJ 08648  
Phone: (609) 219-7462  
Fax: (609) 895-2666

**European Headquarters**  
Rockwell Semiconductor Systems  
S.A.S.  
Les Taissounieres B1  
1680 Route des Dolines  
BP 283  
06905 Sophia Antipolis Cedex  
France  
Phone: (33) 4 93 00 33 35  
Fax: (33) 4 93 00 33 03

**Europe Central**  
Rockwell Int'l GmbH,  
Rockwell Semiconductor Systems  
Branch  
Paul-Gerhardt-Allee 50 a  
81245 München  
Germany  
Phone: (49-89) 829-1320  
Fax: (49-89) 834-2734

**Europe Mediterranean**  
Rockwell Semiconductor Systems  
c/o Rockwell Automation S.r.l.  
Via G. Di Vittorio, 1  
20017 Mazzo Di Rho (MI)  
Italy  
Phone: (39 2) 93179911  
Fax: (39 2) 93179913

**Europe North**  
Rockwell Semiconductor Systems, Ltd.  
Berkshire Court  
Western Road  
Bracknell  
Berkshire RG12 1RE  
England  
Phone: 44 (0) 1344 486444  
Fax: 44 (0) 1344 486555

**Europe North (Satellite)**  
Rockwell Semiconductor Systems  
Israel, Ltd. (RSSI)  
11 Galgaley Haplada Street  
P.O. Box 12660  
Herzliya 46733  
Israel  
Phone: (972) 9 9524000  
Fax: (972) 9 9573732

**Europe South**  
Rockwell Semiconductor Systems  
S.A.S.  
Tour GAN  
Cedex 13  
92082 Paris La Défense 2  
France  
Phone: (33) 1 49 06 39 80  
Fax: (33) 1 49 06 39 90

**APAC Headquarters**  
Rockwell Int'l Manufacturing Pte Ltd  
1 Kim Seng Promenade  
#09-01 East Tower  
Great World City  
Singapore 237994  
Phone: (65) 737-7355  
Fax: (65) 737-9077

**Australia**  
Rockwell Australia Pty Limited  
Suite 603, 51 Rawson Street  
Epping, NSW 2121  
Australia  
Phone: (61-2) 9869 4088  
Fax: (61-2) 9869 4077

**China**  
Rockwell Semiconductor Systems  
Worldwide, Inc.  
Shanghai Representative Office  
LT Square Building, Suite 3002  
500 Chengdu North Road  
Shanghai 200003 P.R.C.  
Phone: 86-21-6361-2515  
Fax: 86-21-6361-2516

**Hong Kong**  
Rockwell Int'l (Asia Pacific) Ltd.  
13th Floor, Suites 8-10,  
Harbour Centre  
25 Harbour Road  
Wanchai,  
Hong Kong  
Phone: (852) 2 827-0181  
Fax: (852) 2 827-6488

**India**  
Rockwell Int'l Overseas Corporation  
Regional Office - South Asia  
Capital Trust House  
47 Community Centre  
Friends Colony  
New Delhi - 110 065  
India  
Phone: (91-11) 692-4780  
Fax: (91-11) 692-4712

**Korea**  
Rockwell Collins Int'l, Inc.  
Room No. 1508  
Korea Textile Centre Building  
944-31, Daechi-3dong  
Kangnam P.O. Box 2037  
Kangnam-ku  
Seoul  
Korea  
Phone: (82-2) 565-2880  
Fax: (82-2) 565-1440

**Taiwan Headquarters**  
Rockwell Int'l Taiwan Company, Ltd.  
Room 2808 International Trade Bldg.  
333, Keelung Road, Section I  
Taipei,  
Taiwan  
10548 ROC  
Phone: (886-2) 2720-0282  
Fax: (886-2) 2757-6760

**Japan Headquarters**  
Rockwell Int'l Japan Co., Ltd.  
Shimomoto Bldg  
1-46-3 Haisuai, Shibuya-ku  
Tokyo, 151  
Japan  
Phone: (81-3) 5371 1520  
Fax: (81-3) 5371 1501

SOU980623

This datasheet has been download from:

[www.datasheetcatalog.com](http://www.datasheetcatalog.com)

Datasheets for electronics components.