

Item
Model
ProjectName



## XBE30

The XBE30 is an essential item in all kitchens where recipes are prepared using fresh ingredients: preparation of pastry bases, creams, mousses, various sauces or mixtures.

601869

### FEATURES

- This planetary mixer can knead all types of doughs and pastries, mix semi-liquids, emulsions and various sauces.
- Electronic speed variation provides flexibility in the regulations and very precise settings of the parameter.
- Touch button control panel improves the ergonomics and the

reliability against the humidity or water jets.

- Control panel equipped with 0-59 minute timer.
- Choice of speeds.
- A safety device stops automatically the machine when the bowl is lowered.

# Planetary mixers



**DITO****Electrolux**

- Splash proof planetary system to avoid water from entering the mechanism.
- Removable safety guard for easy cleaning.
- Height adjustable feet.
- Start/Stop push button
- Motor stops when bowl is raised.
- Stainless steel safety guard.
- A kit of wheels is available as optional accessory for easier movement

## Specifications

MODEL	XBEF30ASX 601730	XBEF30SX 601731	XBEF30S 601869	XBEF30AS 601874
Bowl Capacity lt	30	30	30	30
External dimensions - mm				
width	532	532	532	532
depth	685	685	685	685
height	1208	1208	1208	1208
Working capacity - kg of flour				
Choux pastry	4	4	4	4
Shortcrust pastry	6	6	6	6
Cold water paste	8	8	8	8
Sweet pastry	5	5	5	5
Croissant	6	6	6	6
Brioche	6	6	6	6
Meat kg	15	15	15	15
Puree - kg of potatoes	15	15	15	15
Power - kW				
installed-electric	1.1	1.1	1.1	1.1
Net weight - kg.	100	100	100	100
Supply voltage	220...240 V, 1N, 50/60	220...240 V, 1N, 50/60	220...240 V, 1N, 50/60	220...240 V, 1N, 50/60
Accessory Hub	✓			✓
Stainless steel	✓	✓		



**DITO****Electrolux**

## Included accessories

CODE	DESCRIPTION	XBEF30ASX 601730	XBEF30SX 601731	XBEF30S 601869	XBEF30AS 601874
653160	BOWL FOR 30LT MIXER	1	1	1	1
653161	DOUGH HOOK FOR 30LT MIXER	1	1	1	1
653165	PADDLE FOR 30LT MIXER	1	1	1	1
653166	WHISK FOR 30LT MIXER	1	1	1	1

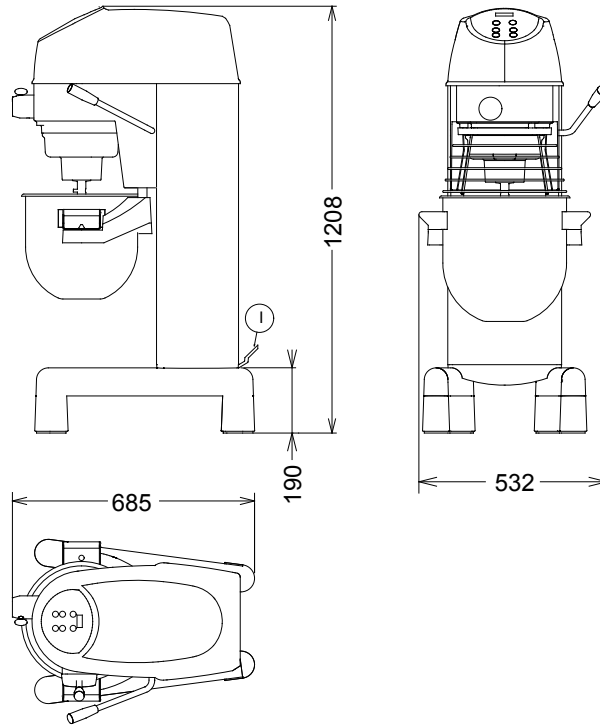
## Optional accessories

CODE	DESCRIPTION	XBEF30ASX 601730	XBEF30SX 601731	XBEF30S 601869	XBEF30AS 601874
653494	10L BOWL,HOOK,PAD, WHISK+SPOUT-30L MIXER	✓	✓	✓	✓
653159	20L BOWL,HOOK,PADDLE,WHISK FOR 30L MIXER	✓	✓	✓	✓
653160	BOWL FOR 30LT MIXER	✓	✓	✓	✓
653562	BOWL TROLLEY FOR 20/30 LT PLANET.MIXERS	✓	✓	✓	✓
653161	DOUGH HOOK FOR 30LT MIXER	✓	✓	✓	✓
654041	ELECTRIC HEATING-20/30L PLAN.MIXER-FLOOR	✓	✓	✓	✓
653552	KIT WHEELS FOR (XB)20/30/40L PLAN.MIXERS	✓	✓	✓	✓
653016	MEATMINCER 70MM-H HUB-ENTERPR.CUT+3DISCS	✓			✓
653165	PADDLE FOR 30LT MIXER	✓	✓	✓	✓
653226	PLANETARY MIXER 10L-H HUB-DISCONN.DRIVE	✓			✓
653187	PUREE STRAINER FOR H HUB WITH 3 GRIDS	✓			✓
653253	REINFORCED WHISK FOR 30LT MIXER	✓	✓	✓	✓
653435	S/S DISH SHELF FOR 20L/30L PLANET. MIXER	✓	✓	✓	✓
653062	SHARPENING GRINDSTONE FOR H HUB	✓			✓
653225	VEGETAB.CUTTER H HUB+EJECTOR-DISCONNECT.	✓			✓
653015	VEGETABLE CUTTER H HUB WITH EJECTOR	✓			✓
653166	WHISK FOR 30LT MIXER	✓	✓	✓	✓



**DITO****Electrolux**

## Installation drawings

**601730, 601874, 601869, 601731**

MODEL	XBEF30ASX 601730	XBEF30SX 601731	XBEF30S 601869	XBEF30AS 601874
I - Electrical connection	220...240 V, 1N, 50/60	220...240 V, 1N, 50/60	220...240 V, 1N, 50/60	220...240 V, 1N, 50/60

The manufacturer reserves the right to modify and make improvements to the products without giving prior warning. Dimensions, illustrations, technical data, weights, etc. are given as an indication only.



[www.dito-electrolux.com](http://www.dito-electrolux.com)

# Planetary mixers

ADB010

