

# PARTS LIST

for

# **KitchenAid®**

## **5 QT. STAND MIXER**

### **ARTISAN TILT HEAD**

#### **MODELS:**

**KSM150PSOB1 (Onyx Black)**  
**KSM150PSMY1 (Majestic Yellow)**  
**KSM150PSGR1 (Imperial Grey)**  
**KSM150PSGN1 (Empire Green)**  
**KSM150PSER1 (Empire Red)**  
**KSM150PSBU1 (Cobalt Blue)**  
**KSM150PSAC1 (Almond Creme)**

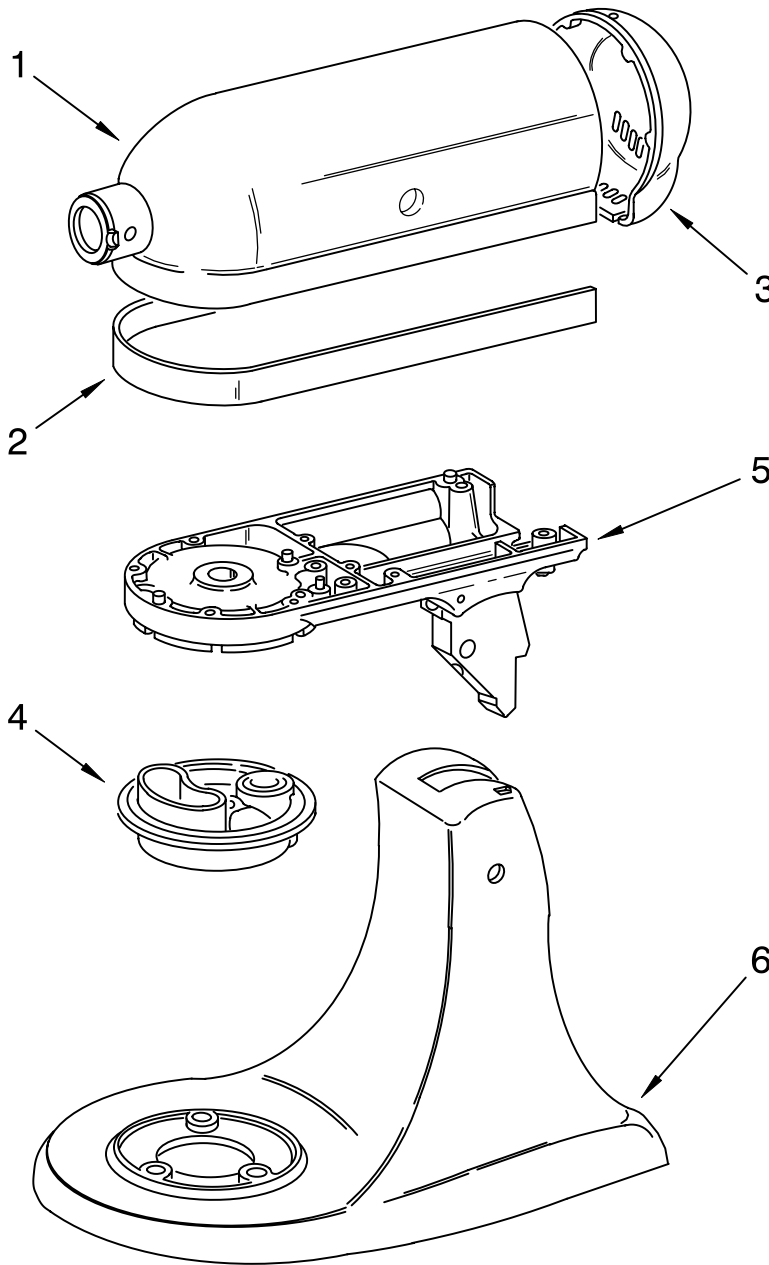


FOR CUSTOMER SATISFACTION ALWAYS USE  
FACTORY SPECIFICATION PARTS



# COLOR VARIATION PARTS

For Models: KSM150PS\_\_1



Illus. No.	Part No.	DESCRIPTION
------------	----------	-------------

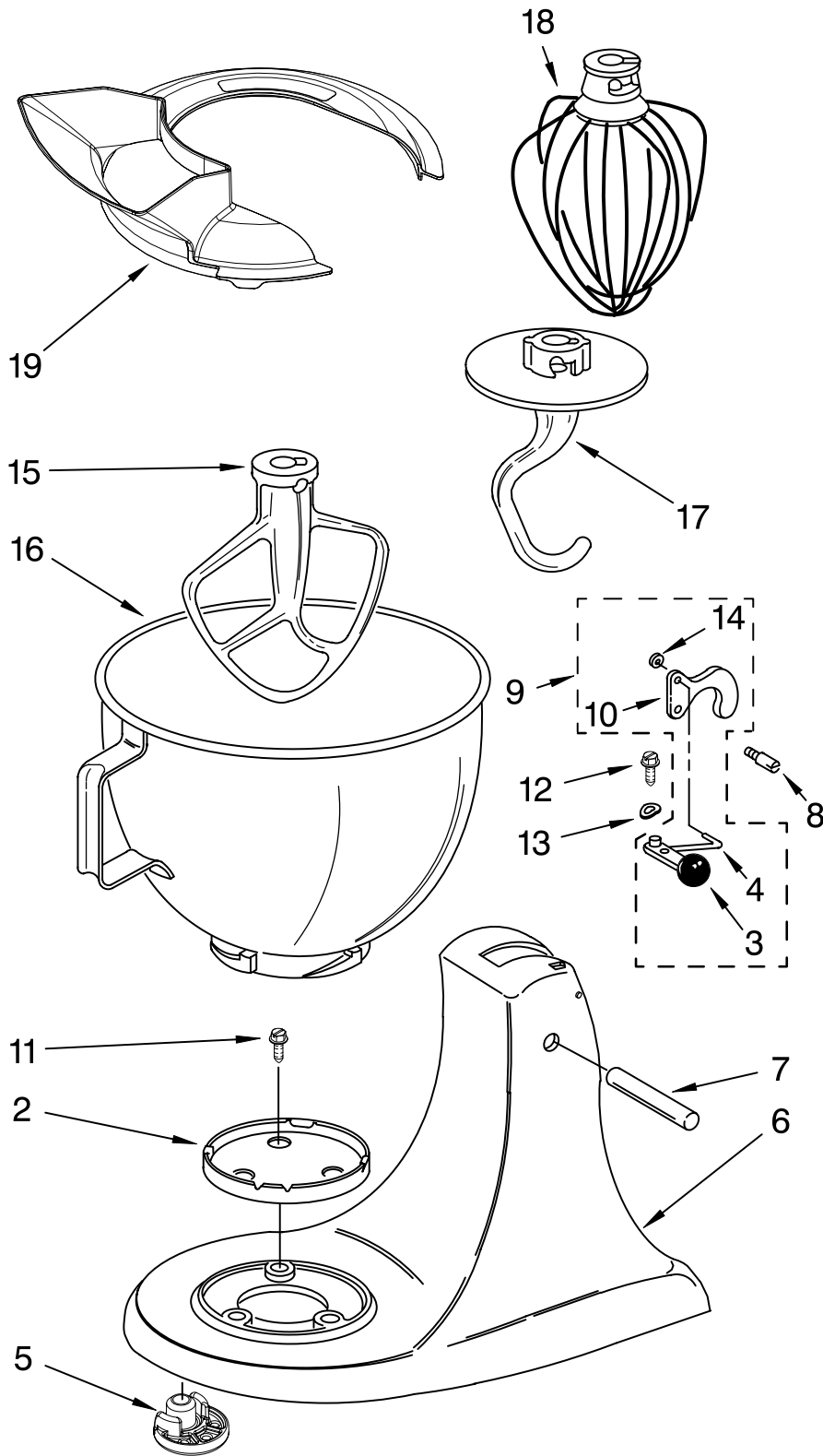
1	240291-13	Onyx Black
	240291-20	Majestic Yellow
	240291-22	Imperial Grey
	240291-10	Empire Green
	240291-21	Empire Red
	240291-7	Cobalt Blue
	240291-16	Almond Creme
2	9706630	Black/Silver
	9706632	Almond Creme
3		End Cover
	240253-14	Onyx Black
	240253-21	Majestic Yellow
	240253-23	Imperial Grey
	240253-11	Empire Green
	240253-22	Empire Red
	240253-8	Cobalt Blue
240253-16	Almond Creme	
4		Planetary
	240286-16	Onyx Black
	240286-22	Majestic Yellow
	240286-24	Imperial Grey
	240286-13	Empire Green
	240286-23	Empire Red
	240286-10	Cobalt Blue
240286-18	Almond Creme	
5		Lower Gearcase
	240350-56	Onyx Black
	240350-82	Majestic Yellow
	240350-86	Imperial Grey
	240350-46	Empire Green
	240350-84	Empire Red
	240350-31	Cobalt Blue
240350-62	Almond Creme	
6		Pedestal
	3179275	Onyx Black
	9702303	Majestic Yellow
	9702305	Imperial Grey
	3179273	Empire Green
	9702304	Empire Red
	3179263	Cobalt Blue
	3179277	Almond Creme

Colors Subject To Change.  
Any Color Not Listed is  
No Longer Available.  
If Additional Colors Are Added,  
This Page Will Be Updated.

FOR ORDERING INFORMATION REFER TO PARTS PRICE LIST

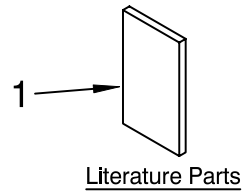
# BASE AND PEDESTAL UNIT

For Models: KSM150PS\_1



Illus. No.	Part No.	DESCRIPTION
1	9709785	Literature Parts Use & Care Guide
	W10122280	Repair Parts List
2	4162529	Screw Cap Kit
3	9709280	Lever, Latch Black
	9709282	Buff
4	24450	Link, Latch
5	9709707	Foot, Base
6	**	Pedestal
7	16910	Pin, Hinge
8	103993	Screw, Latch Bearing
9	24452	Latch, Link & Lever
10	9709055	Latch
11	3400020	Screw
12	110679	Screw, Pivot
13	116241	Washer, Spring
14	8533912	Washer
15	9708472	Beater, Flat Coated, White
16	9706619	Bowl, 5 Qt.
17	9708471	Hook, Dough
18	9706446	Whip, Wire
19	9709923	Shield, Pouring

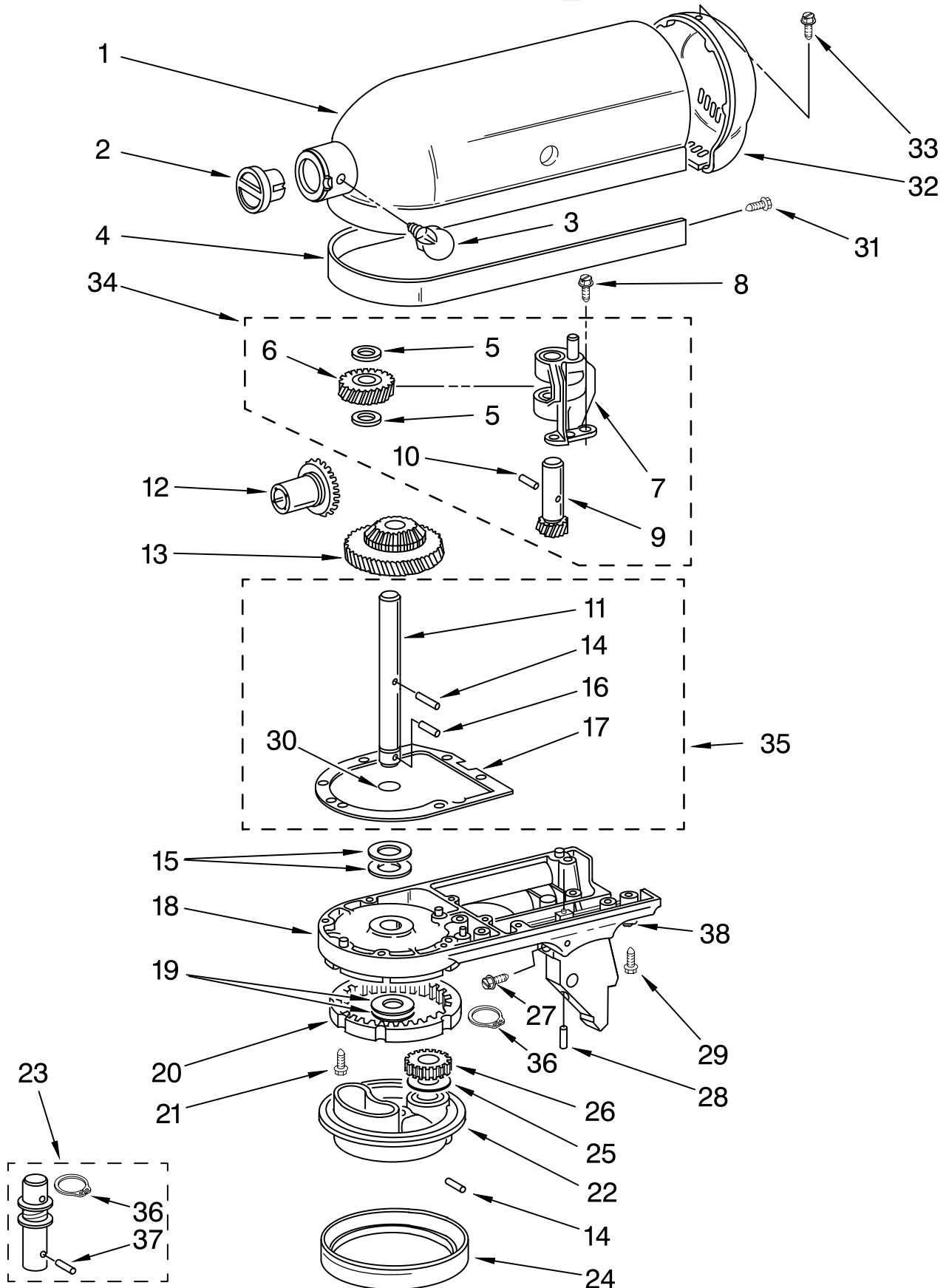
\*\*REFER TO PAGE 2.



FOR ORDERING INFORMATION REFER TO PARTS PRICE LIST

# CASE, GEARING AND PLANETARY UNIT

For Models: KSM150PS\_1



FOR ORDERING INFORMATION REFER TO PARTS PRICE LIST

# CASE, GEARING AND PLANETARY UNIT

For Models: KSM150PS\_\_1

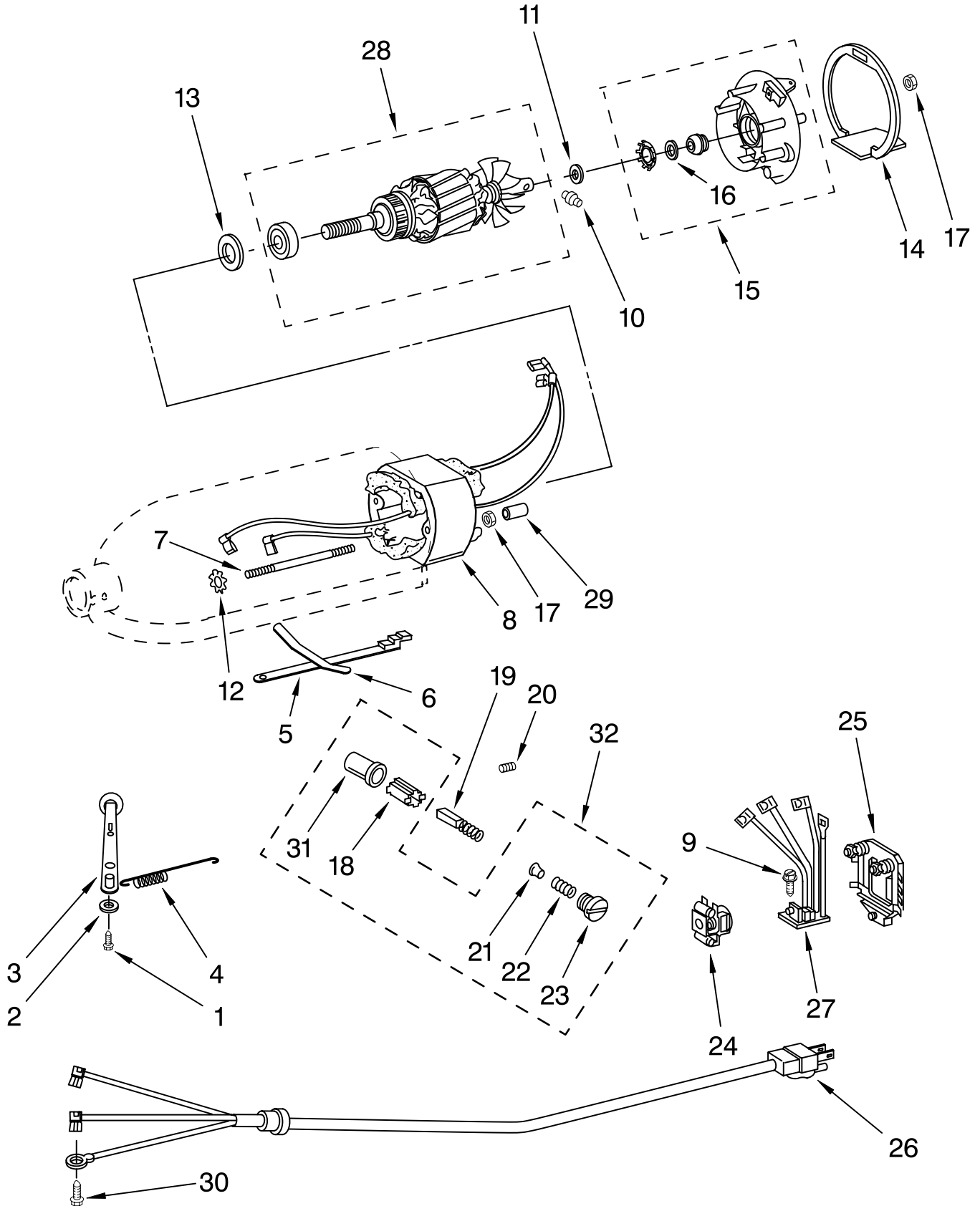
Illus. No.	Part No.	DESCRIPTION	Illus. No.	Part No.	DESCRIPTION	Illus. No.	Part No.	DESCRIPTION
1	**	Gearcase Motor Housing	12	9705130	Gear, Attachment Hub Bevel	26	9703903	Pinion, Gear Agitator Shaft
2		Cap, Attachment Hub	13	9709627	Bevel Pinion Center Gear	27	89411	Screw, Adjusting
	242765-2	Chrome	14	240018-1	Pin (Vertical Center Shaft)	28	3400203	Screw, Set
	242765-5	Almond Creme				29	3400025	Screw
3		Thumb Screw	15	3180163	Washer	30	67500-55	"O" Ring
	9709194	Black	16	9705443	Pin, Groove	31	311932	Screw
	9709198	Buff	17	4162324	Gasket, Transmission Case	32	**	Cover, End
4	**	Band, Trim				33	4162914	Screw
5	3180161	Washer	18	**	Lower Gear Case	34	240309-2	Worm Gear Bracket And Gear
6	W10112253	Worm Gear	19	3180163	Washer	35	4160474	Center Shaft & "O" Ring
7	240308	Worm Gear Bracket And Bearing	20	9703904	Gear, Internal	36	9703438	Ring
8	3400022	Screw	21	103994	Screw	37	9704677	Pin, Groove
9	240210-2	Shaft & Pinion	22	**	Planetary	38	8533914	Washer, Spring Lock
10	9705444	Pin	23	4176067	Agitator Shaft			
11	240026	Shaft, Vertical Center	24	240285	Ring, Planetary Drip			
			25	9706090	Washer			

\*\*Refer to Page 2

FOR ORDERING INFORMATION REFER TO PARTS PRICE LIST

# MOTOR AND CONTROL PARTS

For Models: KSM150PS\_1



FOR ORDERING INFORMATION REFER TO PARTS PRICE LIST

# MOTOR AND CONTROL PARTS

For Models: KSM150PS\_1

<u>Illus. No.</u>	<u>Part No.</u>	<u>DESCRIPTION</u>
1	110679	Screw, Pivot
2	116241	Washer, Spring
3		Lever, Speed Control Assy
	9709276	Black
	9709278	Buff
4	3183680	Spring, Control Plate
5	3184176	Speed Link & Cam
6	240205	Spring, Flat
7	240769	Screw
8	9702695	Field Assembly
9	W10068260	Screw
10	16998	Stud, Governor Drive
11	3180162	Washer
12	W10068270	Washer
13	9704324	Washer, Ball Bearing (Front)
14	240775-1	Seal, End
15	3180526	Bracket, Bearing Asm.
16	3180238	Washer
17	8533905	Nut
18	240680	Insert, Brush Holder
19	9706416	Brush, Carbon
20	9707926	Screw, Set
21	116286	Cap, Spring Seat
22	116287	Spring, Cap
23		Cap, Brush Holder
	3184212	Black
	3184213	Almond Creme
24	17830	Governor Assembly
25	240904-2	Control Plate Assembly
26		Power Cord
	9701025	White
	9701026	Black
27	9706595	Phase Control Board
28	9708315	Armature & Bearing
29	4162634	Sleeve, Motor Stud
30	3184609	Screw, Self Tapping
31	3179908	Housing, Brush Holder
32	4162546	Brush Holder

FOR ORDERING INFORMATION REFER TO PARTS PRICE LIST

# ACCESSORY PARTS

For Models: KSM150PS\_\_1

Illus. No.	Part No.	DESCRIPTION	Illus. No.	Part No.	DESCRIPTION	Illus. No.	Part No.	DESCRIPTION
<b>FOLLOWING PARTS NOT ILLUSTRATED</b>			4164768		Pasta Maker And Food Grinder (Includes SNP Pasta Maker Plates) (SNFGA)	4164824		Pasta Maker Plates (SNPA)
4164839		Speed Disc (Service Tool)	4164775		Fruit/Vegetable Strainer Parts (Use With FGA Model Only) (FVSP)	4164774		Fruit/Vegetable Strainer and Food Grinder (FVSFGA)
4160588		Grease, Planetary	4164750		Rotor Slicer/ Shredder(With 4 Standard Cones) Fine Shredder, Coarse Shredder, Thick Slicer,and Thin Slicer (RVSA)	3180617		Cover, Decorative (Cotton Polyester)
4164778		Mixer Attachment Pak (Includes Food Grinder (FGA), Food Strainer (FVSP), And Vegetable Slicer, (RVSA) (FPPA)	9704568		Pouring Shield (KPS2CL)	4162838		Food Tray (FT)
4164749		Food Grinder (FGA)				4164748		Juicer (JE)
8211924		Grain Mill (KGMA)				4164747		Can Opener (CO)
						4164803		Sausage Stuffer Kit (SSA)
						8212519		Ice Cream Maker (KICA0WH0)
						3177924		Bowl Cover, Plastic Non-Sealing
						4163337		Bowl, Stainless W/Handle, 4.5 QT
						3180262		Bowl, 3 Qt.

FOR ORDERING INFORMATION REFER TO PARTS PRICE LIST