



For product questions contact:
Sunbeam Consumer Service
USA : 1.800.334.0759
Canada : 1.800.667.8623
www.oster.com

© 2008 Sunbeam Products, Inc. doing business as Jarden Consumer Solutions.
All rights reserved. Distributed by Sunbeam Products, Inc. doing business
as Jarden Consumer Solutions, Boca Raton, Florida 33431.

SPR-062408

Pour les questions de produit:
Sunbeam Consumer Service
États-Unis : 1.800.334.0759
Canada : 1.800.667.8623
www.oster.com

© 2008 Sunbeam Products, Inc. operando bajo el nombre de Jarden Consumer Solutions.
Todos los derechos reservados. Distribuido por Sunbeam Products, Inc.
operando bajo el nombre de Jarden Consumer Solutions, Boca Raton, Florida 33431.

Para preguntas sobre los productos llame:
Sunbeam Consumer Service
EE.UU. : 1.800.334.0759
Canadá : 1.800.667.8623
www.oster.com

© 2008 Sunbeam Products, Inc. faisant affaires sous le nom de Jarden Consumer Solutions.
Tous droits réservés. Distribuë Sunbeam Products, Inc. faisant affaires sous
le nom de Jarden Consumer Solutions, Boca Raton, Florida 33431.

Printed in China Impreso en China Imprimé en Chine

English-6

PRECAUCIONES IMPORTANTES

Cuando use algún aparato eléctrico siempre deben seguirse las precauciones básicas de seguridad, incluyendo las siguientes:

LEA TODAS LAS INSTRUCCIONES ANTES DE USAR

- Para protegerse contra una descarga eléctrica, no coloque la batidora manual en agua o en otro líquidos. Esto puede ocasionar lesiones personales o daños al producto.
- Para desconectar, apague todos los controles y retire el enchufe del tomacorriente.
- Se necesario una supervisión continua cuando la batidora manual es usada por o cerca de niños o por personas incapacitadas.
- Desconéctela del tomacorriente cuando el aparato no esté en uso, antes de poner o quitar partes y antes de limpiar el electrodoméstico.
- Evite el contacto las partes en movimiento. Mantenga las manos, cabello, ropa así como también, las espátulas y otros utensilios lejos de los batidores durante el funcionamiento del aparato, para reducir el riesgo de lesiones personales o daños a la batidora manual.
- No opere la batidora manual con un cordón dañado o después de que el aparato ha funcionado inadecuadamente o ha sido dañado de cualquier manera. regerse el aparato a un Centro de Servicio Autorizado Sunbeam para su examen, reparación o ajuste eléctrico o mecánico.
- No use con un cable de extensión.
- El uso de accesorios o aditamentos que no sean recomendados o vendidos por Sunbeam Products, puede causar incendios, descargas electricas o lesiones personales.
- No permita que el cordón cuelgue sobre el borde de la mesa o mostrador.
- No permita que el cordón entre en contacto con superficies calientes, incluyendo la estufa.
- No se use en exteriores o para propósitos comerciales.
- Quite los batidores de la Batidora Manual antes de lavarlos.
- No coloque la Batidora Manual sobre o cerca de quemadores de estufas de gas o dentro de un horno caliente.
- No use la Batidora Manual más que para lo que ha sido diseñada.
- No opere la Batidora Manual sin continua supervisión.

ESTA UNIDAD ES SÓLO PARA USO DOMÉSTICO

SÓLO PARA PRODUCTOS COMPRADOS EN ESTADOS UNIDOS Y CANADÁ

Para reducir el riesgo de descarga eléctrica, este aparato cuenta con una clavija polarizada (una pata es más ancha que la otra) Esta clavija entra sólo de una manera en un enchufe polarizado. Si la clavija no encaja en el enchufe simplemente colóquela al revés. Si aún así no encaja llame a un electricista calificado. De ninguna manera intente modificar esta medida de seguridad.

USO DE UN CABLE ELÉCTRICO CORTO

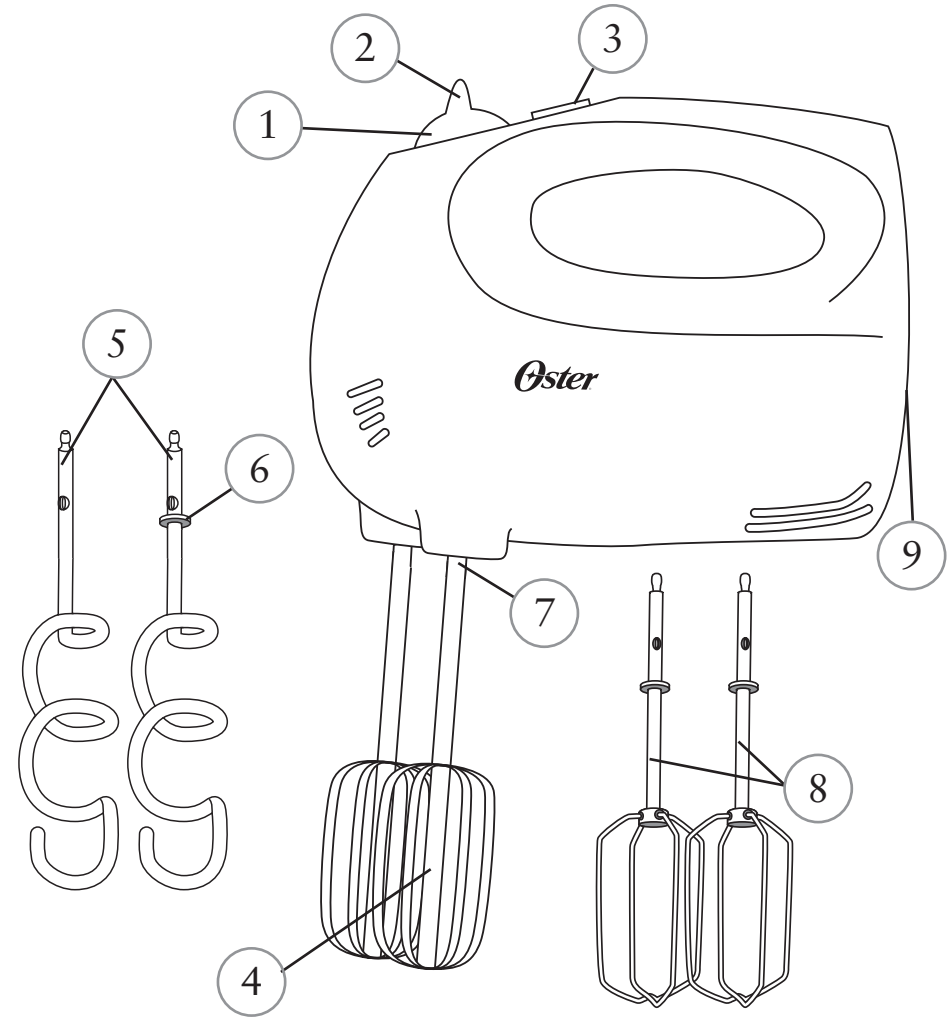
Se incluye un cable de tensión corto para evitar que se enrede o que cause tropiezos. Un cable de extensión puede usarse con cuidado. Si se usa una cable de extensión, la potencia eléctrica marcada en el cable de extensión debe ser por lo menos igual o mayor a la potencia eléctrica del aparto. El cable de extensión debe colocarse de manera que no cuelgue del mostrador o de mesa, donde pueda causar tropiezos accidentalmente.

GUARDE ESTAS INSTRUCCIONES

BENVENIDOS

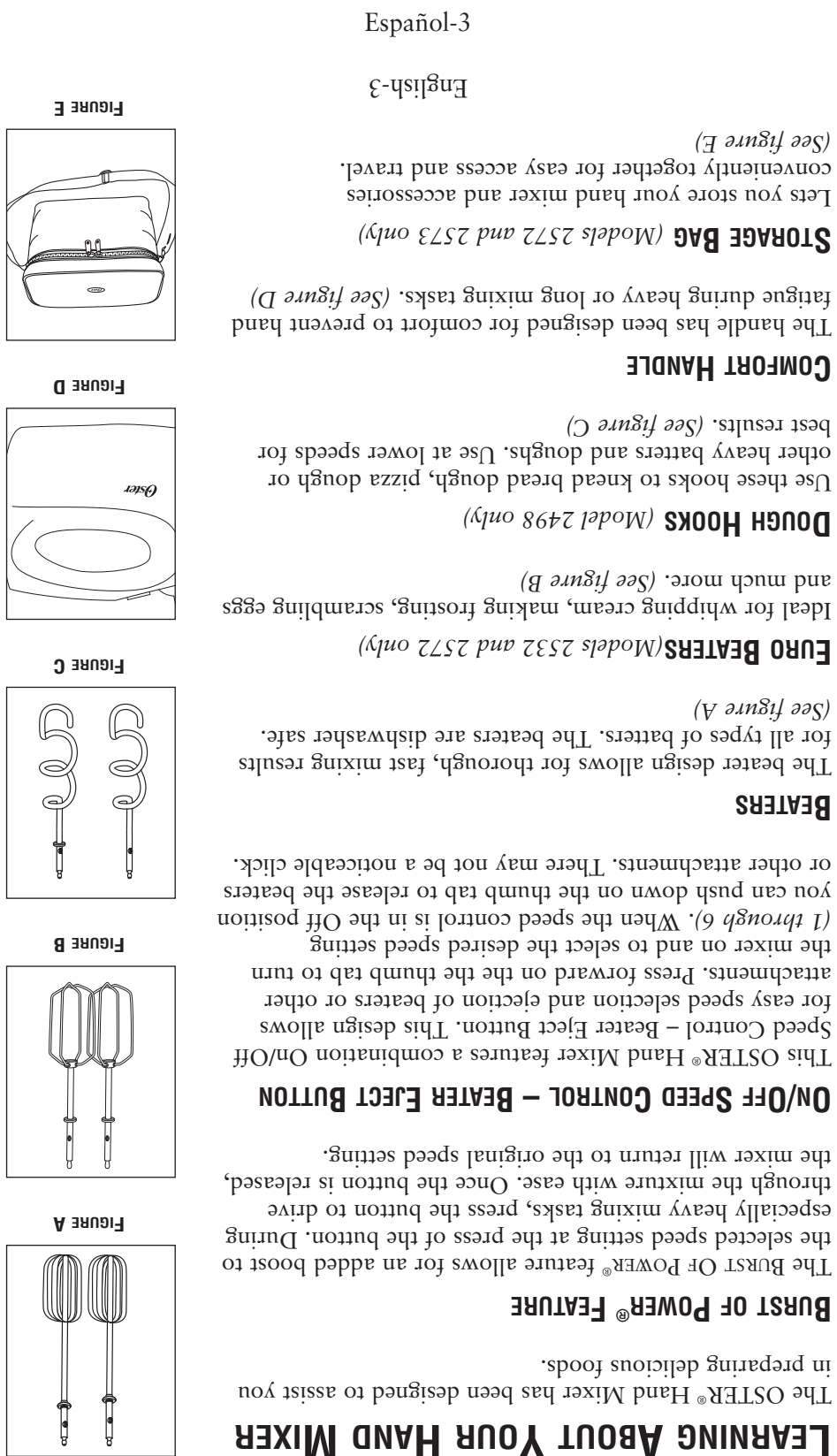
¡Felicitaciones en su compra de una Batidora Manual OSTER®. Para aprender más sobre productos OSTER® por favor visítenos a [www.oster.com!](http://www.oster.com)

CARACTERÍSTICAS DE SU BATIDORA MANUAL



- Control de Velocidad Encendido/Apagado – Botón para Expulsar los Batidores
- Lengüeta del Pulgar
- Botón BURST OF POWER®
- Batidores
- Ganchos para Amasar
- Aro en las Aspas para Amasar
- Agujero de Arrastre Grande
- Aspas para Batir Euro
- Apoyo del Talón

NOTA: El diseño de la Batidora Manual puede variar de la pictura. Algunas modelos incluyen botones dobles BURST OF POWER® para ambos usos, de la mano izquierda y derecha.



LEARNING ABOUT YOUR HAND MIXER

The OSTER® Hand Mixer has been designed to assist you

in preparing delicious foods.

BURST OF POWER® FEATURE

The BURST OF POWER® feature allows for an added boost to the selected speed setting at the press of the button. During especially heavy mixing tasks, press the button to drive through the mixture with ease. Once the button is released, the mixer will return to the original speed setting.

When using the optional dough hooks, the dough hook with the collar on the bottom of the mixer. Turn beater slightly and push an until beater clicks into position. Beaters are interchangeable.

Turn mixer on and refer to speed guide for correct setting. Slowly guide mixer around sides and through center of bowl, going in the same direction. Be careful not to overbeat the mixture. Overbeating tends to make some mixtures tough.

Whenever scraping of the bowl is required, stop the mixer and scrape sides and bottom of bowl with a rubber spatula as needed. Turn speed control to "OFF", or "0" and rest mixer on its heel rest while adding ingredients. Be sure to position beater over mixing bowl so any drippings will fall back into mixing bowl.

When mixing is complete, set the control to "1", and raise beaters slowly from batter to clean off clinging food. Be sure to unit to "0" before raising beaters completely out of mixing bowl.

The BURST OF POWER® feature allows for an added boost to the selected speed setting at the press of the button. During especially heavy mixing tasks, press the button to drive through the mixture with ease. Once the button is released, the mixer will return to the original speed setting.

Use these hooks to knead bread dough, pizza dough or other heavy batters and doughs. Use at lower speeds for best results. (See figure C)

The handle has been designed for comfort to prevent hand fatigue during heavy or long mixing tasks. (See figure D)

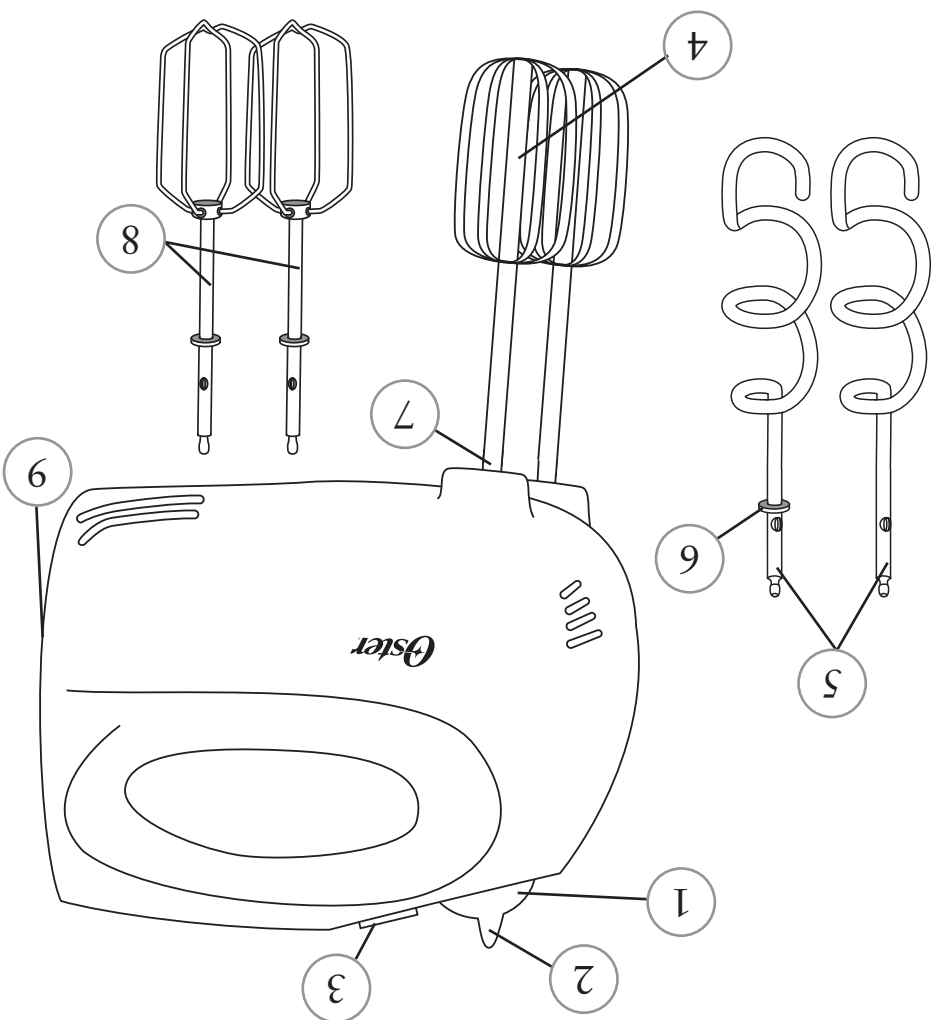
Let us store your hand mixer and accessories conveniently together for easy access and travel. (See figure E)

FEATURES OF YOUR HAND MIXER

Congratulations on your purchase of an OSTER® Hand Mixer!

To learn more about OSTER® products, please visit us at www.oster.com.

WELCOME



IMPORTANT SAFEGUARDS

When using electrical appliances, basic safety precautions should always be followed, including the following:

- To protect against risk of electrical shock, do not put hand mixer in water or other liquid. This may cause personal injury and/or damage to the product.
- To disconnect, turn off control and unplug from outlet.
- Unplug from outlet while not in use, before putting on or taking off parts and before cleaning.
- Avoid contact with moving parts. Keep hands, hair, clothing, as well as spatulas and other utensils away from beaters during operation to reduce the risk of injury to persons and/or damage to the hand mixer.
- Do not operate hand mixer with a damaged cord or any plug. Return appliance to nearest Authorized Sunbeam Service Center for examination, repair or electrical or mechanical adjustment.
- Do not use with an extension cord.
- The use of attachments not recommended or sold by Sunbeam Products may cause fire, electrical shock or injury.
- Do not let cord hang over edge of table or countertop.
- Do not let cord touch hot surfaces, including a stove.
- Remove beaters from hand mixer before washing them.
- Do not place hand mixer on or near a hot burner or in a heated oven.
- Do not use hand mixer for other than intended use.
- Do not leave hand mixer unattended while it is operating.

READ ALL INSTRUCTIONS BEFORE USE

To reduce the risk of electrical shock, this appliance has a polarized plug (one blade is wider than the other). This plug fits a polarized outlet only one way; if the plug does not fit fully in the outlet, reverse the plug. If it still does not fit, contact a qualified electrician. Do not attempt to delear this safety feature.

A short power-supply cord is provided to reduce the risk resulting from becoming entangled in or tripping over a longer cord. An extension cord may be used if care is exercised in its use. If an extension cord is used, the electrical rating of the cord must be at least as great as the electrical rating of the appliance. The extension cord should be arranged so that it will not drape over the countertop or tabletop where it can be pulled on by children or tripped over unintentionally.

For PRODUCTS PURCHASED IN THE U.S. AND CANADA ONLY
To reduce the risk of electrical shock, this appliance has a polarized plug (one blade is wider than the other). This plug fits a polarized outlet only one way; if the plug does not fit fully in the outlet, reverse the plug. If it still does not fit, contact a qualified electrician. Do not attempt to delear this safety feature.

THIS UNIT IS FOR HOUSEHOLD USE ONLY

For PRODUCTS PURCHASED IN THE U.S. AND CANADA ONLY
A short power-supply cord is provided to reduce the risk resulting from becoming entangled in or tripping over a longer cord. An extension cord may be used if care is exercised in its use. If an extension cord is used, the electrical rating of the cord must be at least as great as the electrical rating of the appliance. The extension cord should be arranged so that it will not drape over the countertop or tabletop where it can be pulled on by children or tripped over unintentionally.

SAVE THESE INSTRUCTIONS

English-1 P.N. 111805-003



User Manual

Hand Mixer

Manual de Instrucciones

Batidora Manual

Manuel d'Instructions

Mélangeur à Main

MODELS / MODELOS
MODÈLES

2498, 2532, 2569,
2572, 2573,

