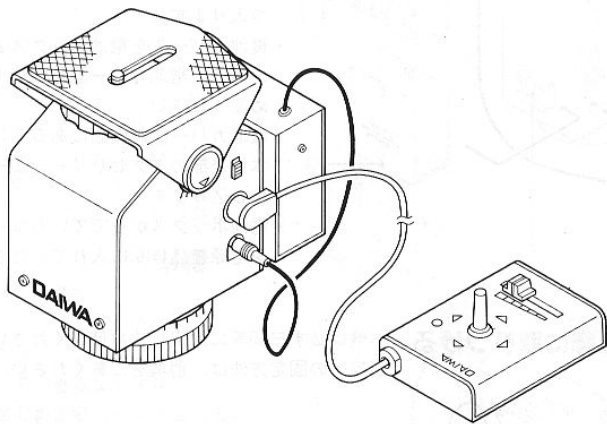


Kenko

INNOVATIVE STRONG PAN-TILT HEAD

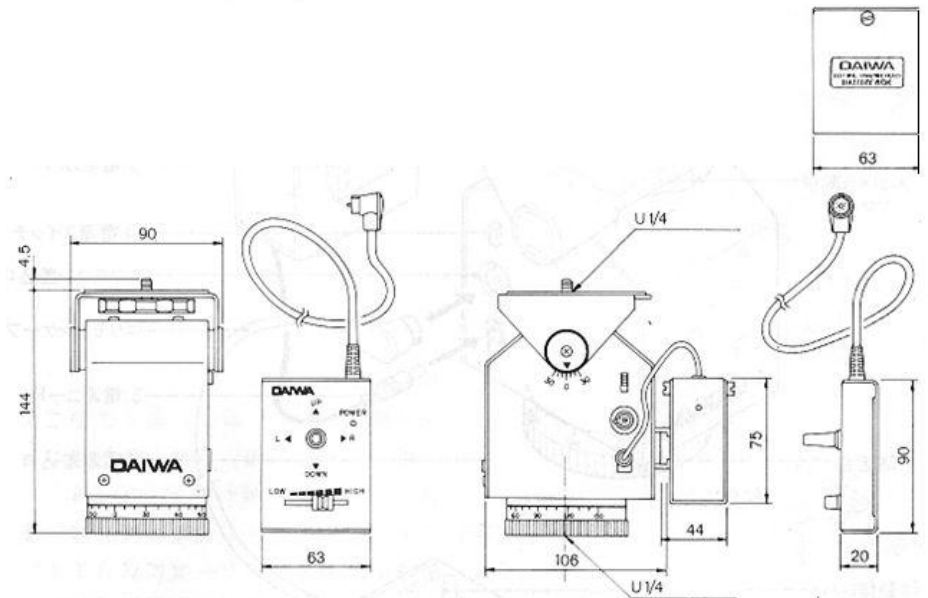
MVH-2D

INSTRUCTION MANUAL



SPECIFICATIONS

Mounting: -----	Horizontal and upright or inverted position
Operating temperature: -----	-10°C to 45°C
Dimensions: -----	90w X 144H X 106D mm
Weight: -----	1.45kg
Power Source -----	DC12V 270mA max. (8 X AA size penlight batteries)
Pan movement: -----	-150° to +150° in horizontal plane
Tilt movement: -----	-30° to +30° in vertical plane
Pan speed: -----	2.0°/sec. To 6.5°/sec. (Variable)
Tilt speed: -----	0.7°/sec. To 2.2°/sec. (Variable)
Maximum Load: -----	5.0kg in upright position 3.0kg in inverted position
Maximum Cable length: -----	7m (200m by extending control cable)
Mounting Brackets: -----	PT-M2D Ceiling Mount Plate, WH-1, WH-2, WH-4, PT-W3 Wall Mounts (Option)



Kenko Co., Ltd.

Specialty

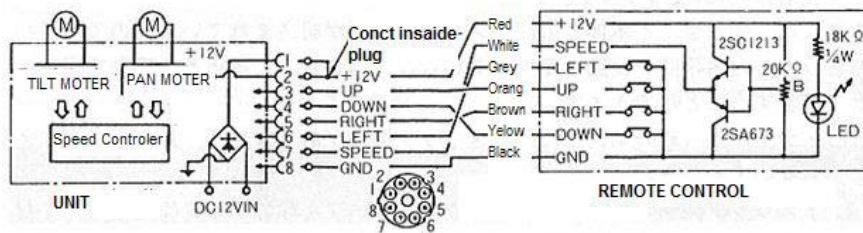
1. PAN-TILT HEAD is set on the tripod and use for Video camera with wired remote control.
2. Pan (vertical) and Tilt (horizontal) is possible to control and also possible pan and Tilt same time.

Possible to adjust speed variable.

Notice for use

1. Must be fastened to mounting surface.
2. Keep dry.
3. Body must be level. When not level function is not maximized.
4. Put in plastic bag when boxed in foam polystyrene.
5. Don't drop and give shock.
6. Don't dismantle.
7. After use Power switch (13) off.

MVH-2D REMOTE CONTROLER CONECTION



Battery

Battery lifetime

1. Normal AA battery good for 2hours to operate.
2. After use turn off power switch (13) or remove to remote controller.
Power drain will occur if unit is not switched off.

Attention for battery

1. + - Must be carefully install.
2. Do not mix old and new battery.
3. Do not mix different type of battery.

Wall Installation

Screw size for this equipment use for ¼ - 20UNC.

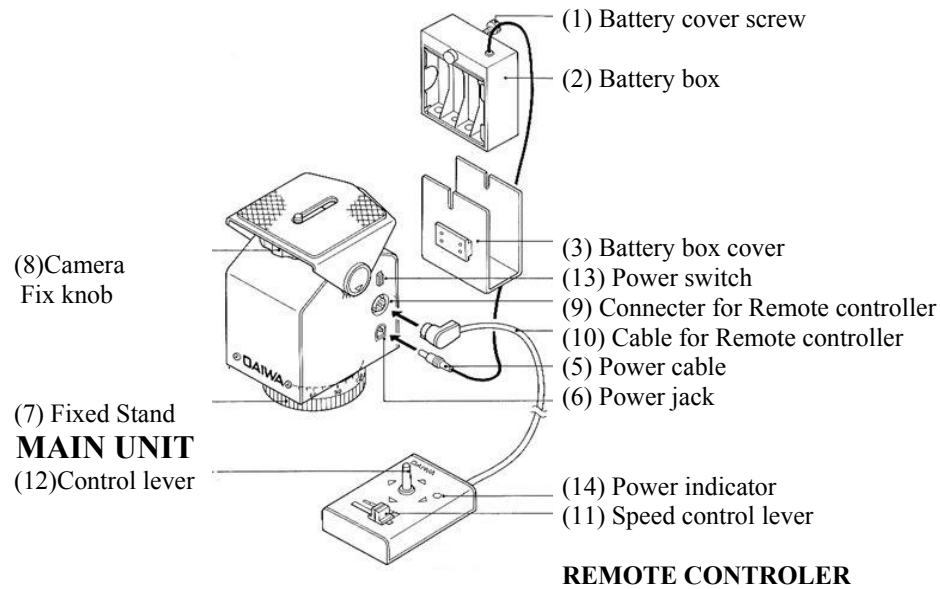
When install ting to be careful check area to include camera space.

Option WH-1, WH-2, WH-4,

Attention!

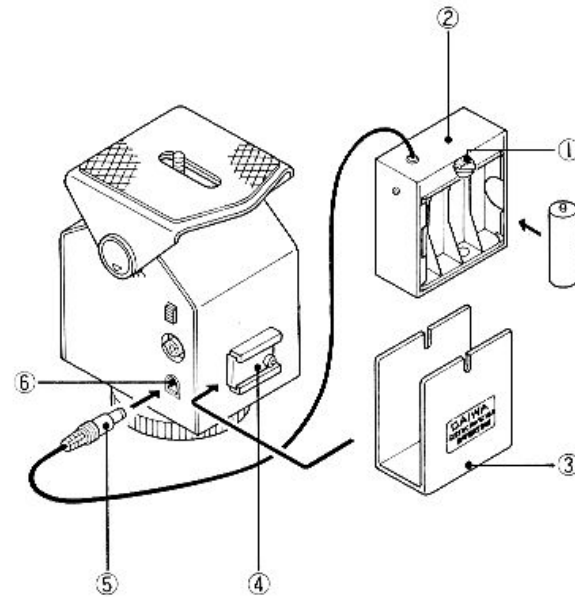
When using upside-down maximum load is 3kg.

NAME OF PARTS



INSTRUCTION

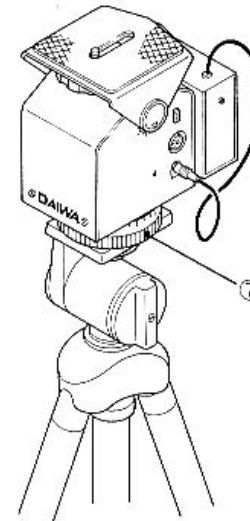
1.PUT BATTERY



Type: AA Battery 8pcs (Option).

- Loosen Battery cover fix screw (1) Battery box (2) take out.
- Put Battery with care + & - in to Battery box (2) Battery is each side 4pcs.
- Put Battery box cover (3) to Battery box (2) and install Battery cover screw (1).
- Battery box cover (3) slide to Battery box holder (4).
- Put Cable for Remote controller (5) on (6) Power jack

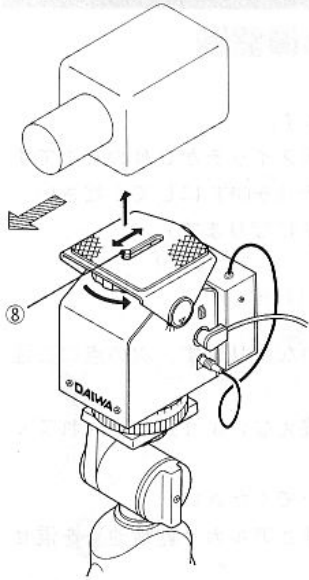
2.PUT ON TRIPOD



This unit must be installed on tripod or another stable base.

- Tripod screw fixes on Stand (7).
- Before installing tripod must keep tripod head level.

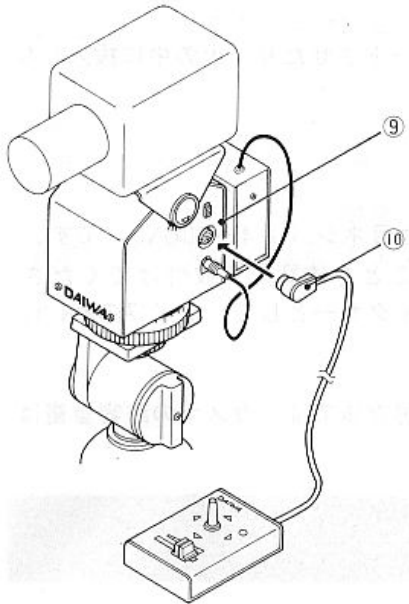
3.SET CAMERA



Camera direction is same as diagram.
Balance of camera and lens must be center and tight screw. Screw position is possible to slide.

Attention!
This unit can hold Max.5kg camera (balance height 6cm). Not in balance will diminish functions.

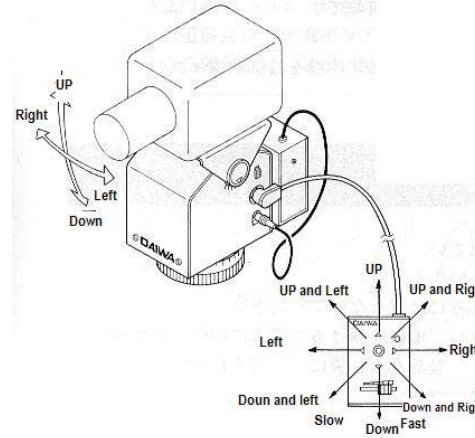
4.SET CABEL



Remote controller cable (10) put on Unit (9) same as diagram direction.

OPERATION

Power switch (13) ON



- Speed control
Speed control lever (11) slid to left be low Right is High speed.
Not possible to adjust Pan and Tilt separately.

Attention!
Tilt speed will be change depend on weight of camera or direction.

- Function
Control lever function is same as diagram direction.
Possible to move Pan and Tilt same time.

Attention!
After use make power switched off.

SLIP FUNCTION FOR PAN

Pan (Horizontal) by remote control is from [0] point left or right about 150° each.
This unit have slip system Fix stand (7) and body. Anytime possible to turn by hand.

Attention!

Tilt (vertical) have NO slip system. Don't push.

When use slip function be careful to handle for cableing.