

Item
Model
ProjectName



601876

FEATURES

- Powerful motor that provides all the basic mixer functions faultlessly: kneading of all sort of pastes, mixing of semiliquid products, emulsions and various sauces.
- With a 900 W rating, the XBM40 can handle hard, low hydration kneadings for speciality

XBM40

Universal 40 litre kitchen and pastry making planetary mixer. XBM40 is designed for restaurants, pastry makers and catering companies. It has a mechanical range drive, with belt variator system that protects against overloading and makes the machine extremely versatile.

bread.

- The motor is sufficiently dimensioned for all kitchen work.
- Body in non-corrosive material.
- 18/8 Stainless steel bowl - 3 tools: flat hook, paddle and whisk.
- Splash proof planetary system to avoid water from entering the mechanism.

Planetary mixers



DITO**Electrolux**

- Removable safety guard for easy cleaning.
- Adjustable feet for stability.
- Touch button control panel improves the ergonomics and the reliability against the humidity or

water jets.

- Control panel equipped with 0-59 minute timer.
- A kit of wheels is available as optional accessory for easier movement.

Specifications

MODEL	XBMF40S5 601875	XBMF40S35 601876	XBMF40S36 601879
Bowl Capacity lt	40	40	40
External dimensions - mm			
width	670	670	670
depth	700	700	700
height	1380	1380	1380
Working capacity - kg of flour			
Choux pastry	6	6	6
Shortcrust pastry	10	10	10
Cold water paste	9	9	9
Sweet pastry	10	10	10
Croissant	8	8	8
Brioche	8	8	8
Meat kg	20	20	20
Puree - kg of potatoes	20	20	20
Power - kW			
installed-electric	0.9	0.9	0.9
Net weight - kg.	113	113	113
Supply voltage	220...240 V, 1N, 50	200...240/380...415, 3, 50	200...220/380...440 , 3, 60



DITO**Electrolux**

Included accessories

CODE	DESCRIPTION	XBMF40S5 601875	XBMF40S35 601876	XBMF40S36 601879
653525	BOWL FOR 40LT MIXER	1	1	1
653523	DOUGH HOOK FOR 40LT MIXER	1	1	1
653524	PADDLE FOR 40LT MIXER	1	1	1
653522	WHISK FOR 40LT MIXER	1	1	1

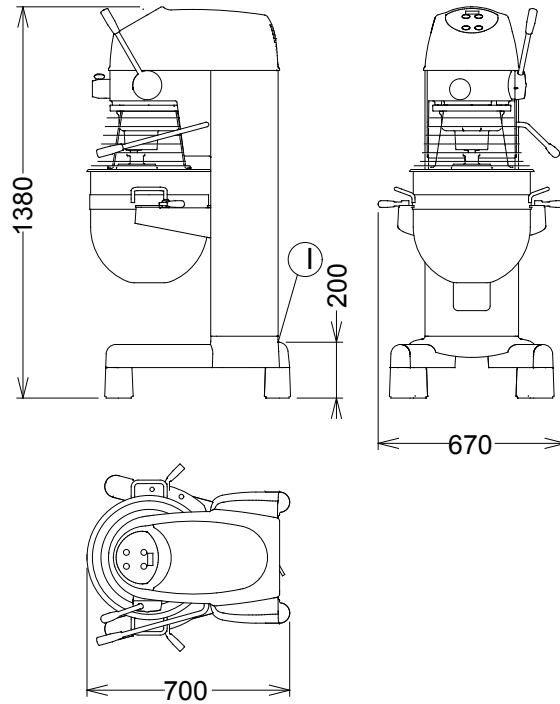
Optional accessories

CODE	DESCRIPTION	XBMF40S5 601875	XBMF40S35 601876	XBMF40S36 601879
653534	20L BOWL,HOOK,PADDLE,WHISK FOR 40L MIXER	✓	✓	✓
653525	BOWL FOR 40LT MIXER	✓	✓	✓
653585	BOWL TROLLEY-40/60/80LT PLANETARY MIXERS	✓	✓	✓
653523	DOUGH HOOK FOR 40LT MIXER	✓	✓	✓
653431	ELECTRIC HEATING FOR 40L PLANETARY MIXER	✓	✓	✓
653552	KIT WHEELS FOR (XB)20/30/40L PLAN.MIXERS	✓	✓	✓
653524	PADDLE FOR 40LT MIXER	✓	✓	✓
653522	WHISK FOR 40LT MIXER	✓	✓	✓



DITO**Electrolux**

Installation drawings

601875, 601879, 601876**MODEL****XBMF40S5
601875****XBMF40S35
601876****XBMF40S36
601879**

I - Electrical connection

220...240 V, 1N,
50200...240/380...415,
3, 50200...220/380...440
, 3, 60

The manufacturer reserves the right to modify and make improvements to the products without giving prior warning. Dimensions, illustrations, technical data, weights, etc. are given as an indication only.



www.dito-electrolux.com

Planetary mixers

ADAH010

