

Item
Model
ProjectName



XBM40 with Hub

Universal 40 litre kitchen and pastry making planetary mixer. XBM40 is designed for restaurants, pastry makers and catering companies. It has a mechanical range drive, with belt variator system that protects against overloading and makes the machine extremely versatile.

601883

FEATURES

- Powerful motor that provides all the basic mixer functions faultlessly: kneading of all sort of pastes, mixing of semiliquid products, emulsions and various sauces.
- With a 900 W rating, the XBM40 can handle hard, low hydration kneadings for speciality breads.
- The motor is sufficiently dimensioned for all kitchen work.
- Body in non-corrosive material.

- 18/8 Stainless steel bowl - 3 tools: flat hook, paddle and whisk.
- Splash proof planetary system to avoid water from entering the mechanism.
- Control panel equipped with 0-59 minute timer.
- Touch button control panel improves the ergonomics and the reliability against the humidity or water jets.

Planetary mixers



DITO**Electrolux**

- Accessory drive hub for extra functions: vegetable cutter, meat mincer, puree strainer, sharpening grindstone.
- A kit of wheels is available as optional accessory for easier movement.
- Adjustable feet for stability.
- Removable safety guard for easy cleaning.

Specifications

MODEL	XBMF40AS35 601883	XBMF40AS36 601886
Bowl Capacity lt	40	40
External dimensions - mm		
width	670	670
depth	700	700
height	1380	1380
Working capacity - kg of flour		
Choux pastry	6	6
Shortcrust pastry	10	10
Cold water paste	9	9
Sweet pastry	10	10
Croissant	8	8
Brioche	8	8
Meat kg	20	20
Puree - kg of potatoes	20	20
Power - kW		
installed-electric	0.9	0.9
Net weight - kg.	113	113
Supply voltage	200...240/380...415, 3, 50	200...220/380...440 V, 3, 60



DITO**Electrolux**

Included accessories

CODE	DESCRIPTION	XBMF40AS35 601883	XBMF40AS36 601886
653525	BOWL FOR 40LT MIXER	1	1
653523	DOUGH HOOK FOR 40LT MIXER	1	1
653524	PADDLE FOR 40LT MIXER	1	1
653522	WHISK FOR 40LT MIXER	1	1

Optional accessories

CODE	DESCRIPTION	XBMF40AS35 601883	XBMF40AS36 601886
653534	20L BOWL,HOOK,PADDLE,WHISK FOR 40L MIXER	✓	✓
653525	BOWL FOR 40LT MIXER	✓	✓
653585	BOWL TROLLEY-40/60/80LT PLANETARY MIXERS	✓	✓
653523	DOUGH HOOK FOR 40LT MIXER	✓	✓
653431	ELECTRIC HEATING FOR 40L PLANETARY MIXER	✓	✓
653552	KIT WHEELS FOR (XB)20/30/40L PLAN.MIXERS	✓	✓
653016	MEATMINCER 70MM-H HUB-ENTERPR.CUT+3DISCS	✓	✓
653524	PADDLE FOR 40LT MIXER	✓	✓
653226	PLANETARY MIXER 10L-H HUB-DISCONN.DRIVE	✓	✓
653187	PUREE STRAINER FOR H HUB WITH 3 GRIDS	✓	✓
653232	S/S MEATMINCER 82MM-H HUB-ENTERPR+1 DISC	✓	✓
653062	SHARPENING GRINDSTONE FOR H HUB	✓	✓
653225	VEGETAB.CUTTER H HUB+EJECTOR-DISCONNECT.	✓	✓
653015	VEGETABLE CUTTER H HUB WITH EJECTOR	✓	✓
653522	WHISK FOR 40LT MIXER	✓	✓

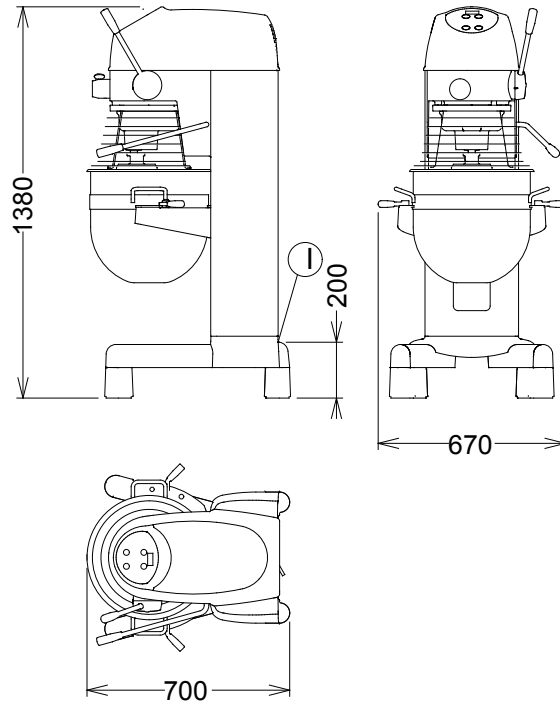


DITO

Electrolux

Installation drawings

601883, 601886



MODEL

**XBMF40AS35
601883**

**XBMF40AS36
601886**

I - Electrical connection

200...240/380...415, 3,
50

200...220/380...440 V,
3, 60

The manufacturer reserves the right to modify and make improvements to the products without giving prior warning. Dimensions, illustrations, technical data, weights, etc. are given as an indication only.



www.dito-electrolux.com

Planetary mixers



ADAH020