

Item
Model
ProjectName



601845

XBM20 Table Model

Powerful motor that provides all the basic mixer functions faultlessly: kneading of all sort of pastes, mixing of semiliquid products, emulsions and various sauces. The best results, in particular for the mixing of pastries, is one of the key features of DITO mixers. The increasing speed facilitates the preparation of mousses and emulsions by significantly reducing the operation time. The easy and precise speed regulation, highly appreciated by the chefs, makes it a versatile appliance suitable for preparing various recipes.

FEATURES

- With a 750 W rating, the XBM20 can handle hard, low hydration kneadings for speciality breads. Used with the recommended quantities, it can also be used to produce pizza dough.
- 18/8 Stainless steel bowl - 3 tools: hook, paddle and whisk.

- Body in non-corrosive material.
- Touch button control panel improves the ergonomics and the reliability against the humidity or water jets.
- Control panel equipped with 0-59 minute timer.

Planetary mixers



DITO**Electrolux**

- Revolving and dismountable safety guard fitted with a removable feeding arm for adding products while the machine is operating.

- XBM20 is constructed in compliance with EN 454 European regulation on Beater-mixers safety and hygiene.

Specifications

MODEL	XBMF20ST5 601845	XBMF20ST45 601846
Bowl Capacity lt	20	20
External dimensions - mm		
width	521	521
depth	685	685
height	1010	1010
Working capacity - kg of flour		
Choux pastry	3	3
Shortcrust pastry	5	5
Cold water paste	6	6
Sweet pastry	4	4
Croissant	5	5
Brioche	5	5
Meat kg	10	10
Puree - kg of potatoes	10	10
Power - kW		
installed-electric	0.75	0.75
Net weight - kg.	76	76
Supply voltage	220...240 V, 1N, 50	200...240/380...415, 3, 50



DITO**Electrolux**

Included accessories

CODE	DESCRIPTION	XBMF20ST5 601845	XBMF20ST45 601846
653426	BOWL FOR 20LT MIXER	1	1
653114	DOUGH HOOK FOR 20LT MIXER	1	1
653116	PADDLE FOR 20LT MIXER	1	1
653109	WHISK FOR 20LT MIXER	1	1

Optional accessories

CODE	DESCRIPTION	XBMF20ST5 601845	XBMF20ST45 601846
653064	10L BOWL,HOOK,PADDLE,WHISK FOR 20L MIXER	✓	✓
653426	BOWL FOR 20LT MIXER	✓	✓
653114	DOUGH HOOK FOR 20LT MIXER	✓	✓
653116	PADDLE FOR 20LT MIXER	✓	✓
653254	REINFORCED WHISK FOR 20LT MIXER	✓	✓
653435	S/S DISH SHELF FOR 20L/30L PLANET. MIXER	✓	✓
653434	S/S TABLE FOR 20LT PLANETARY MIXER	✓	✓
653109	WHISK FOR 20LT MIXER	✓	✓

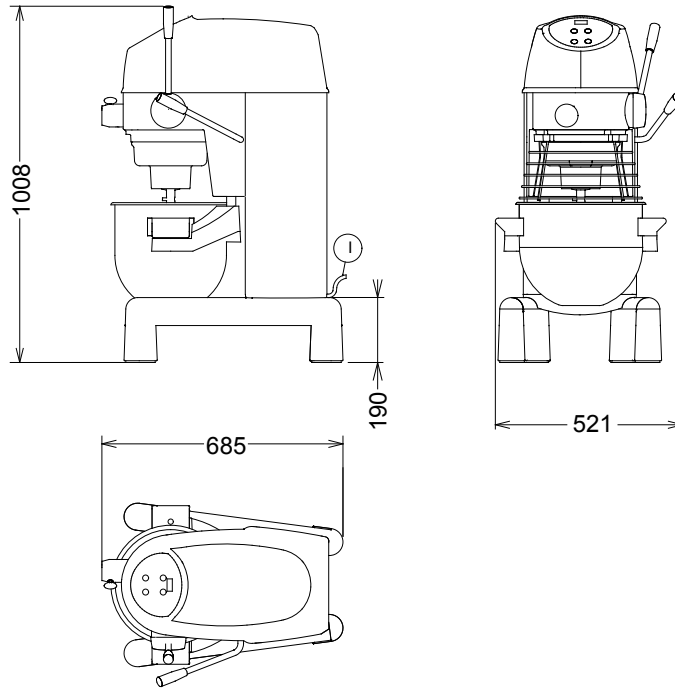


DITO

Electrolux

Installation drawings

601845, 601846



MODEL

XBMF20ST5
601845

XBMF20ST45
601846

1 - Electrical connection

220...240 V, 1N, 50

200...240/380...415, 3, 50

The manufacturer reserves the right to modify and make improvements to the products without giving prior warning. Dimensions, illustrations, technical data, weights, etc. are given as an indication only.



www.dito-electrolux.com

Planetary mixers

ADAC010

