

Item
Model
ProjectName



## XBM40 in Stainless Steel with Hub

Universal 40 litre kitchen and pastry making planetary mixer. XBM40 is designed for restaurants, pastry makers and catering companies. It has a mechanical range drive, with belt variator system that protects against overloading and makes the machine extremely versatile.

601732

### FEATURES

- Powerful motor that provides all the basic mixer functions faultlessly: kneading of all sort of pastes, mixing of semiliquid products, emulsions and various sauces.
- With a 900 W rating, the XBM40 can handle hard, low hydration kneadings for speciality breads.
- The motor is sufficiently dimensioned for all kitchen work.
- Body in stainless steel.

- 18/8 Stainless steel bowl - 3 tools: flat hook, paddle and whisk.
- Splash proof planetary system to avoid water from entering the mechanism.
- Control panel equipped with 0-59 minute timer.
- Touch button control panel improves the ergonomics and the reliability against the humidity or water jets.

**Planetary mixers**



**DITO****Electrolux**

- Removable safety guard for easy cleaning.
- Adjustable feet for stability.

- Accessory drive hub for extra functions: vegetable cutter, meat mincer, puree strainer, sharpening grindstone.
- A kit of wheels is available as optional accessory for easier movement.

## Specifications

MODEL	XBMF40ASX3 601732
Bowl Capacity lt	40
External dimensions - mm	
width	670
depth	700
height	1380
Working capacity - kg of flour	
Choux pastry	6
Shortcrust pastry	10
Cold water paste	9
Sweet pastry	10
Croissant	8
Brioche	8
Meat kg	20
Puree - kg of potatoes	20
Power - kW	
installed-electric	0.9
Net weight - kg.	113
Supply voltage	200...240/380...415, 3, 50



**DITO****Electrolux**

## Included accessories

CODE	DESCRIPTION	
653525	BOWL FOR 40LT MIXER	1
653523	DOUGH HOOK FOR 40LT MIXER	1
653524	PADDLE FOR 40LT MIXER	1
653522	WHISK FOR 40LT MIXER	1

## Optional accessories

CODE	DESCRIPTION	
653534	20L BOWL,HOOK,PADDLE,WHISK FOR 40L MIXER	✓
653525	BOWL FOR 40LT MIXER	✓
653585	BOWL TROLLEY-40/60/80LT PLANETARY MIXERS	✓
653523	DOUGH HOOK FOR 40LT MIXER	✓
653431	ELECTRIC HEATING FOR 40L PLANETARY MIXER	✓
653552	KIT WHEELS FOR (XB)20/30/40L PLAN.MIXERS	✓
653016	MEATMINCER 70MM-H HUB-ENTERPR.CUT+3DISCS	✓
653524	PADDLE FOR 40LT MIXER	✓
653226	PLANETARY MIXER 10L-H HUB-DISCONN.DRIVE	✓
653187	PUREE STRAINER FOR H HUB WITH 3 GRIDS	✓
653232	S/S MEATMINCER 82MM-H HUB-ENTERPR+1 DISC	✓
653062	SHARPENING GRINDSTONE FOR H HUB	✓
653225	VEGETAB.CUTTER H HUB+EJECTOR-DISCONNECT.	✓
653015	VEGETABLE CUTTER H HUB WITH EJECTOR	✓
653522	WHISK FOR 40LT MIXER	✓

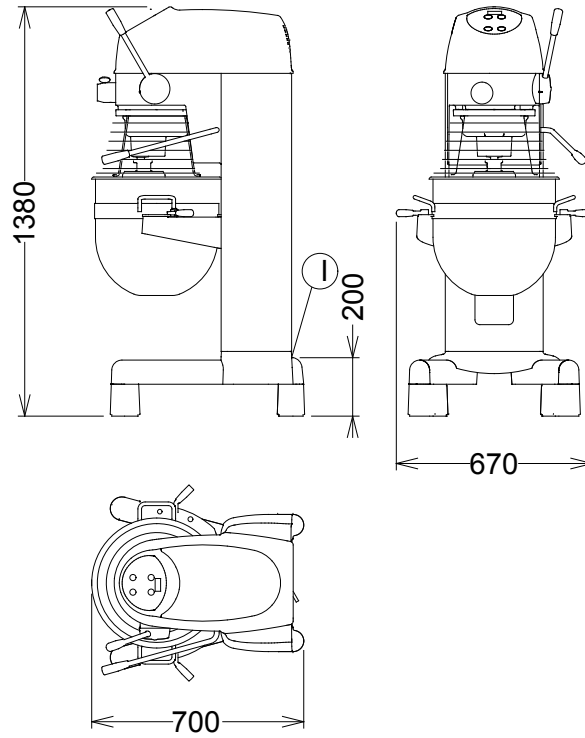


**DITO**

**Electrolux**

## Installation drawings

601732



### MODEL

I - Electrical connection

**XBMF40ASX3**  
**601732**

200...240/380...415, 3, 50

The manufacturer reserves the right to modify and make improvements to the products without giving prior warning. Dimensions, illustrations, technical data, weights, etc. are given as an indication only.



[www.dito-electrolux.com](http://www.dito-electrolux.com)

# Planetary mixers



ADAH040