

Item
Model
ProjectName



601306

XBE60

A powerful motor enables the XBE60 to perform all of the basic functions of a beater mixer: kneading all types of doughs and pastries, mixing semi-liquids, emulsions and various sauces. Thanks to the exceptional range of speeds and the high speed of the whisk, the XBE60 is a highly professional machine for whisking and emulsifying

FEATURES

- The XBE60 has a variator that ensures that the motor and mechanism are protected against overloading. Efficiency and sturdiness are the main advantages of this system.
- 18/8 stainless steel 60 litre bowl.
- Stainless steel spiral kneading hook, designed to stop the pastry from rising up.
- Cast aluminium beater.
- 18/8 stainless steel whisk (a heavy duty whisk is available option for heavier work).
- Safety guard heavier.
- Bowl lift system.

Planetary mixers



DITO**Electrolux**

Specifications

MODEL	XBE60S 601306	XBE60SX 601500	XBE60AS 601307
External dimensions - mm			
width	685	685	685
depth	1050	1050	1050
height	1445	1445	1445
Working capacity - kg of flour			
Choux pastry	9.5	9.5	9.5
Shortcrust pastry	15	15	15
Cold water paste	20	20	20
Sweet pastry	15	15	15
Croissant	18	18	18
Brioche	18	18	18
Meat kg	30	30	30
Puree - kg of potatoes	30	30	30
Power - kW			
installed-electric	4	4	4
Net weight - kg.	300	300	300
Supply voltage	380...440 V, 3N, 50/60	380...440 V, 3N, 50/60	380...440 V, 3N, 50/60
Accessory Hub			✓
Stainless steel		✓	



DITO**Electrolux**

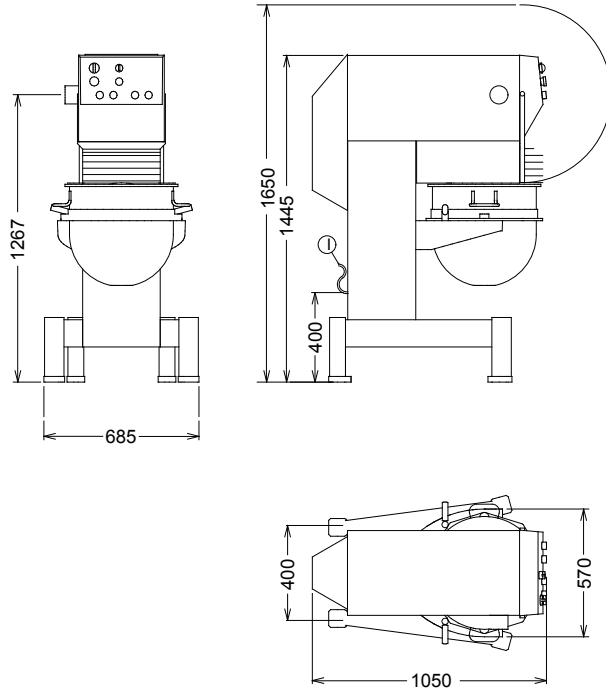
Included accessories

CODE	DESCRIPTION	XBE60S 601306	XBE60SX 601500	XBE60AS 601307
653087	BOWL FOR 60LT MIXER	1	1	1
653084	DOUGH HOOK FOR 60LT MIXER	1	1	1
653083	PADDLE FOR 60LT MIXER	1	1	1
653086	WHISK FOR 60LT MIXER	1	1	1

Optional accessories

CODE	DESCRIPTION	XBE60S 601306	XBE60SX 601500	XBE60AS 601307
653034	40L BOWL,HOOK,PADDLE,WHISK FOR 60L MIXER	✓	✓	✓
653087	BOWL FOR 60LT MIXER	✓	✓	✓
653442	BOWL SCRAPER 60LT	✓	✓	✓
653585	BOWL TROLLEY-40/60/80LT PLANETARY MIXERS	✓	✓	✓
653084	DOUGH HOOK FOR 60LT MIXER	✓	✓	✓
653433	ELECTRIC HEATING FOR 60/80L PLANET.MIXER	✓	✓	✓
653481	HEAVY DUTY HOOK FOR 60LT PLANETARY MIXER	✓	✓	✓
653016	MEATMINCER 70MM-H HUB-ENTERPR.CUT+3DISCS			✓
653083	PADDLE FOR 60LT MIXER	✓	✓	✓
653226	PLANETARY MIXER 10L-H HUB-DISCONN.DRIVE			✓
653187	PUREE STRAINER FOR H HUB WITH 3 GRIDS			✓
653097	REINFORCED WHISK FOR 60LT MIXER	✓	✓	✓
653232	S/S MEATMINCER 82MM-H HUB-ENTERPR+1 DISC			✓
653062	SHARPENING GRINDSTONE FOR H HUB			✓
653225	VEGETAB.CUTTER H HUB+EJECTOR-DISCONNECT.			✓
653015	VEGETABLE CUTTER H HUB WITH EJECTOR			✓
653086	WHISK FOR 60LT MIXER	✓	✓	✓



DITO**Electrolux****Installation drawings****601306, 601307, 601500****MODEL**

I - Electrical connection

**XBE60S
601306**380...440 V, 3N,
50/60**XBE60SX
601500**380...440 V, 3N,
50/60**XBE60AS
601307**380...440 V, 3N,
50/60

The manufacturer reserves the right to modify and make improvements to the products without giving prior warning. Dimensions, illustrations, technical data, weights, etc. are given as an indication only.



www.dito-electrolux.com

Planetary mixers

ADB1010

