

Item
Model
ProjectName



DITOMIX 5 - CHROME

Professional planetary mixer with electronic speed variation, DITOMIX5 can handle all time-consuming and laborious whisking and mixing jobs. The DITOMIX5 has a planetary movement like large beaters for whisking egg whites, chantilly cream or even for making mixes for biscuits, choux pastry or genoese sponges. It can also knead shortcrust and pie pastry mixes. The accessory hub increases the applications of the beater.

603252

FEATURES

- Metal body and base for complete stability.
- Body with chromed cover.
- Powerful motor drives the planetary mechanism from 40 to 240 rpm with a wide range of adjustments.
- 18/10 stainless steel bowl, 5 litre capacity.
- Removable safety screen activates the raising and lowering of the bowl.
- One scraper utensil (spatula) and three tools: a hook (for sweet and short-crust pastry), a paddle (for choux pastry) and a whisk (for meringues and mayonnaise).

Planetary mixers



DITO**Electrolux**

Specifications

MODEL	DMIX5C 601514	DMIX5CYW 603252	DMIX5CBL 603254	DMIX5CRD 603384	DMIX5CBK 603385	DMIX5COR 603555	DMIX5WHT 603545
Body	Grey	Yellow	Blue	Red	Black	Orange	White
External dimensions - mm							
width	284	284	284	284	284	284	284
depth	382	382	382	382	382	382	382
height	434	434	434	434	434	434	434
Working capacity - kg of flour							
Choux pastry	0.6	0.6	0.6	0.6	0.6	0.6	0.6
Shortcrust pastry	0.5	0.5	0.5	0.5	0.5	0.5	0.5
Cold water paste	0.75	0.75	0.75	0.75	0.75	0.75	0.75
Sweet pastry	0.5	0.5	0.5	0.5	0.5	0.5	0.5
Croissant	0.75	0.75	0.75	0.75	0.75	0.75	0.75
Brioche	0.75	0.75	0.75	0.75	0.75	0.75	0.75
Pizza	0.4	0.4	0.4	0.4	0.4	0.4	0.4
Meat kg	1	1	1	1	1	1	1
Puree - kg of potatoes	2	2	2	2	2	2	2
Power - kW							
installed-electric	0.5	0.5	0.5	0.5	0.5	0.5	0.5
Net weight - kg.	11	11	11	11	11	11	11
Supply voltage	208...240 V, 1N, 50/60	208...240 V, 1N, 50/60	208...240 V, 1N, 50/60	208...240 V, 1N, 50/60	208...240 V, 1N, 50/60	208...240 V, 1N, 50/60	208...240 V, 1N, 50/60



DITO**Electrolux**

Included accessories

CODE	DESCRIPTION	DMIX5C 601514	DMIX5CYW 603252	DMIX5CBL 603254	DMIX5CRD 603384	DMIX5CBK 603385	DMIX5COR 603555	DMIX5WHT 603545
653286	FLAT DOUGH HOOK FOR 5LT MIXER	1	1	1	1	1	1	1
653252	PADDLE FOR 5LT MIXER	1	1	1	1	1	1	1
653483	SPATULA FOR 5 LT PLANETARY MIXERS	1	1	1	1	1	1	1
653508	STAINLESS STEEL BOWL 5LT FOR MIXER	1	1	1	1	1	1	1
653250	WHISK FOR 5LT MIXER	1	1	1	1	1	1	1

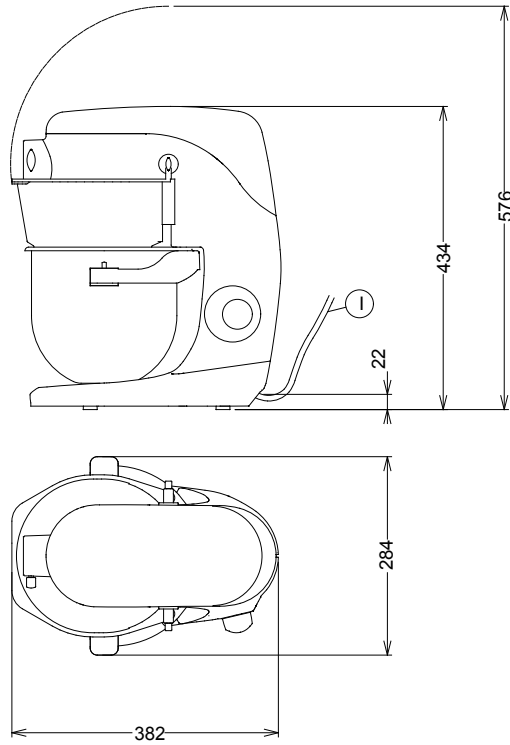
Optional accessories

CODE	DESCRIPTION	DMIX5C 601514	DMIX5CYW 603252	DMIX5CBL 603254	DMIX5CRD 603384	DMIX5CBK 603385	DMIX5COR 603555	DMIX5WHT 603545
653286	FLAT DOUGH HOOK FOR 5LT MIXER	✓	✓	✓	✓	✓	✓	✓
653427	MEATMINCER 50MM FOR K HUB 3 DISCS	✓	✓	✓	✓	✓	✓	✓
653252	PADDLE FOR 5LT MIXER	✓	✓	✓	✓	✓	✓	✓
653611	PASTA ACCESSORY FOR SPAGHETTI	✓	✓	✓	✓	✓	✓	✓
653610	PASTA KIT-LASAGNE,TAGLIATELLE,TAGLIOLINI	✓	✓	✓	✓	✓	✓	✓
653483	SPATULA FOR 5 LT PLANETARY MIXERS	✓	✓	✓	✓	✓	✓	✓
653508	STAINLESS STEEL BOWL 5LT FOR MIXER	✓	✓	✓	✓	✓	✓	✓
653493	VEGETABLE SLICER-K HUB- 5L PLAN.MIXER	✓	✓	✓	✓	✓	✓	✓
653250	WHISK FOR 5LT MIXER	✓	✓	✓	✓	✓	✓	✓



DITO**Electrolux**

Installation drawings

601514, 603545, 603555, 603385, 603384, 603254, 603252

MODEL	DMIX5C 601514	DMIX5CYW 603252	DMIX5CBL 603254	DMIX5CRD 603384	DMIX5CBK 603385	DMIX5COR 603555	DMIX5WHT 603545
I - Electrical connection	208...240 V, 1N, 50/60	208...240 V, 1N, 50/60	208...240 V, 1N, 50/60	208...240 V, 1N, 50/60	208...240 V, 1N, 50/60	208...240 V, 1N, 50/60	208...240 V, 1N, 50/60

The manufacturer reserves the right to modify and make improvements to the products without giving prior warning. Dimensions, illustrations, technical data, weights, etc. are given as an indication only.



www.dito-electrolux.com

Planetary mixers

ADB020

