

Item
Model
ProjectName



BPO 25/45

The BPO 25 and 45 are two dough mixers that can be used for repeated kneadings of small quantities of dough with continuous tool raising for making speciality bread, Viennese pastries or pizzas. The 2 models detailed on this sheet are 25 and 40 lt, with 2 speed motor.

601994

FEATURES

- BPO 25 and 45 are assembled on a welded steel base which supports the kneading head and the removable bowl.
- Head raising and instantaneous locking system.
- Progressive action brakes for regulating bowl rotation speed.
- Safety and hygiene guaranteed by a transparent bowl screen.
- The transparent protective screen completely covers the bowl apart from the area opposite the tool so that you can "scrape" or add water while working.

Dough mixers



DITO**Electrolux**

- Kneading quality obtained through the first slow speed for traditional kneading and the second fast speed for fast kneading.

- The speed is changed by a simple electric switch.
- Stainless steel mobile stand available as an optional accessory.
- Control panel equipped with 0-59 minute timer.

Specifications

MODEL	BPO25F1 601991	BPO45F1 601994
External dimensions - mm		
width	557	591
depth	736	798
height	782	782
Capacity	25, Litre	40, Litre
Power - kW		
installed-electric	0.75	0.75
Net weight - kg.	70	75
Supply voltage	200...240 V, 1N, 50/60	200...240 V, 1N, 50/60

Included accessories

CODE	DESCRIPTION	BPO25F1 601991	BPO45F1 601994
653121	BOWL 25LT FOR FORK KNEADER	1	
653128	BOWL 40LT FOR FORK KNEADER		1

Optional accessories

CODE	DESCRIPTION	BPO25F1 601991	BPO45F1 601994
653121	BOWL 25LT FOR FORK KNEADER	✓	
653128	BOWL 40LT FOR FORK KNEADER		✓
653017	S/S MOBILE STAND	✓	✓

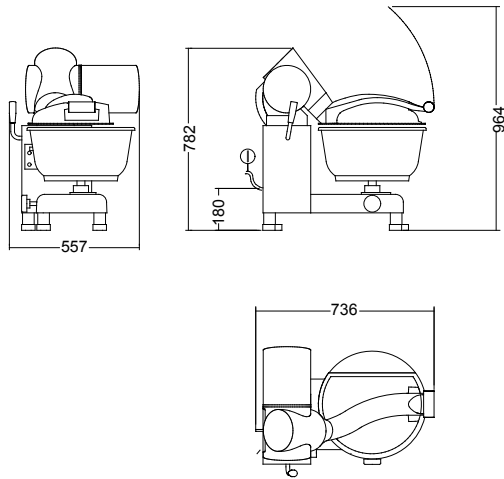


DITO

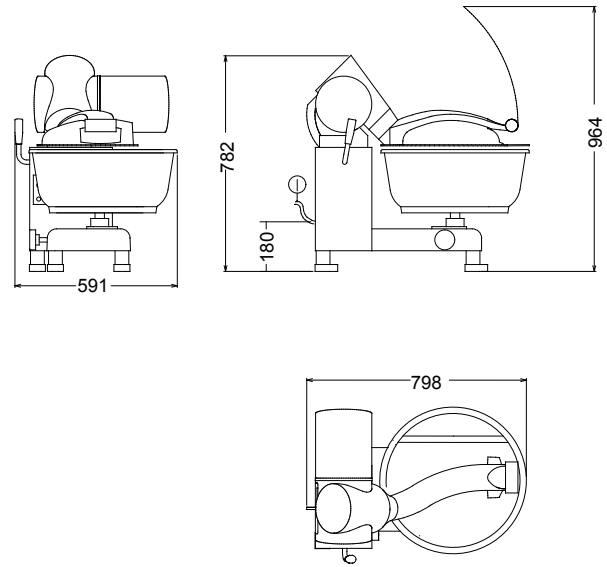
Electrolux

Installation drawings

601991



601994



MODEL

I - Electrical connection

**BPO25F1
601991**

200...240 V, 1N, 50/60

**BPO45F1
601994**

200...240 V, 1N, 50/60



Dough mixers

The manufacturer reserves the right to modify and make improvements to the products without giving prior warning. Dimensions, illustrations, technical data, weights, etc. are given as an indication only.



www.dito-electrolux.com



AI-1A010