

Item
Model
ProjectName



## BE5

Professional planetary mixer with a heavy duty motor, a spiral hook for 1.5 kg of dough and a 5 lt. bowl. It meets all requirements regarding hygiene and safety with its ease of use (bowl activated by a moveable safety screen) and its wide range of speeds.

601228

## FEATURES

- Aluminium column which houses the motor and speed variator.
- A one-piece alloy head containing the planetary gears and the transmission.
- A metal base to ensure perfect stability.
- A powerful motor with a frequency variator which permits the tools to be driven at speeds of between 15 and 220 rpm and the speed to be finely adjusted.
- For pastries - low water content - the quantities of flour must be limited and the speed adapted whilst kneading.
- For soft pastries - higher water content - the quantity of flour may be increased.
- For cold creams, mayonnaise, liquid pastries in high speed (V 10), change to speed V6 / V7 at the end of the cycle if the beater slows down.
- 18/8 stainless steel bowl, of a capacity of 5 litres.
- A transparent safety guard. This guard also raises and lowers the bowl.

# Planetary mixers



**DITO****Electrolux**

## Specifications

MODEL	BE5 601168	BE5A 601228
External dimensions - mm		
width	279	279
depth	416	416
height	487	487
Working capacity - kg of flour		
Choux pastry	0.8	0.8
Shortcrust pastry	1	1
Cold water paste	1.5	1.5
Sweet pastry	0.75	0.75
Croissant	1	1
Brioche	1	1
Pizza	0.5	0.5
Meat kg	2	2
Puree - kg of potatoes	2	2
Power - kW		
installed-electric	0.3	0.3
Net weight - kg.	14.5	14.5
Supply voltage	208...240 V, 1N, 50/60	208...240 V, 1N, 50/60
Accessory Hub		✓

## Included accessories

CODE	DESCRIPTION	BE5 601168	BE5A 601228
653295	BOWL FOR 5LT MIXER	1	1
653251	DOUGH HOOK FOR 5LT MIXER	1	1
653252	PADDLE FOR 5LT MIXER	1	1
653250	WHISK FOR 5LT MIXER	1	1

## Optional accessories

CODE	DESCRIPTION	BE5 601168	BE5A 601228
653295	BOWL FOR 5LT MIXER	✓	✓
653251	DOUGH HOOK FOR 5LT MIXER	✓	✓
653427	MEATMINCER 50MM FOR K HUB 3 DISCS		✓
653252	PADDLE FOR 5LT MIXER	✓	✓
653611	PASTA ACCESSORY FOR SPAGHETTI	✓	✓
653610	PASTA KIT-LASAGNE, TAGLIATELLE, TAGLIOLINI	✓	✓
653493	VEGETABLE SLICER-K HUB- 5L PLAN.MIXER		✓
653250	WHISK FOR 5LT MIXER	✓	✓

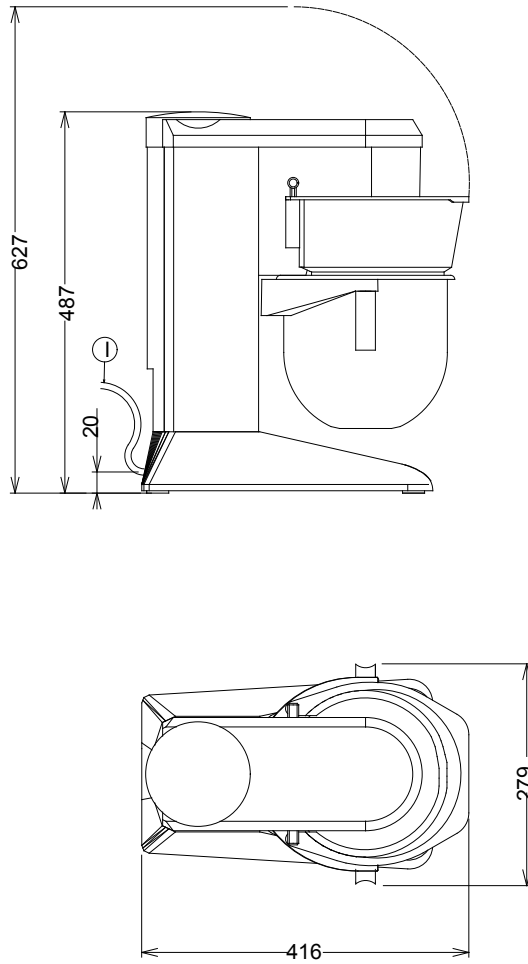


**DITO**

**Electrolux**

## Installation drawings

601168, 601228



**MODEL**

**BE5  
601168**

**BE5A  
601228**

I - Electrical connection

208...240 V, 1N, 50/60

208...240 V, 1N, 50/60



# Planetary mixers

The manufacturer reserves the right to modify and make improvements to the products without giving prior warning. Dimensions, illustrations, technical data, weights, etc. are given as an indication only.



[www.dito-electrolux.com](http://www.dito-electrolux.com)



ADBA010