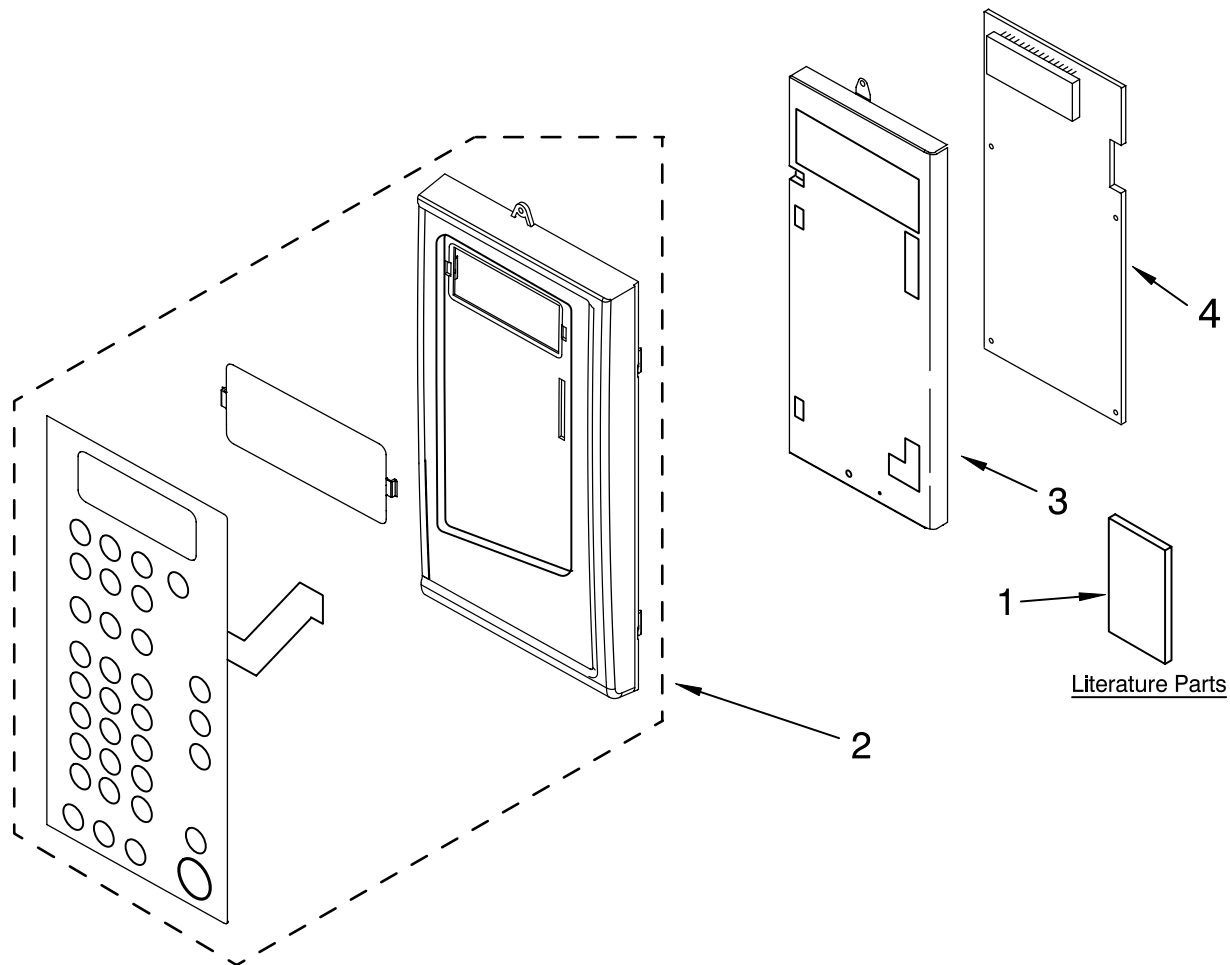




# CONTROL PANEL PARTS

For Models: GH5184XPQ4, GH5184XPB4, GH5184XPT4, GH5184XPS4  
(WHITE) (BLACK) (BISCUIT) (STAINLESS)

Microwave Oven  
1.8 Cu. Ft.

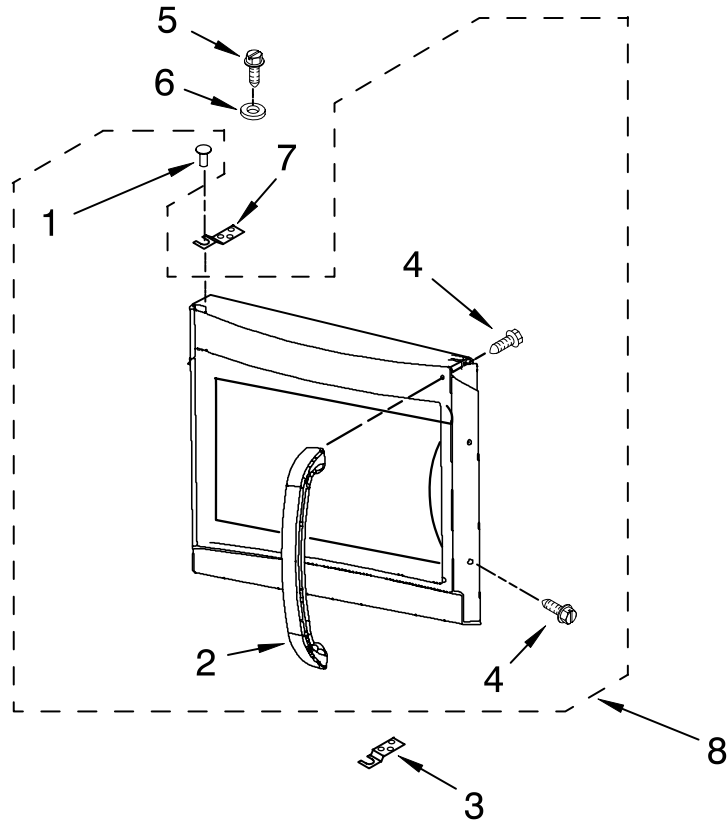


Illus. No.	Part No.	DESCRIPTION
1		Literature
	8205973	U & C Guide
	8205609	Tech Sheet
	8206579	Instrctn, Instlltn
	8204933	Cook Guide Label
2		Panel Asy, Control
		Includes Lens and Membrane Switch
	8205417	White
	8205419	Black
	8205418	Biscuit
	8205923	Stainless
3	W10114256	Bracket, Control
4	8205421	Microcomputer

FOR ORDERING INFORMATION REFER TO PARTS PRICE LIST

# DOOR PARTS

For Models: GH5184XPQ4, GH5184XPB4, GH5184XPT4, GH5184XPS4  
 (WHITE) (BLACK) (BISCUIT) (STAINLESS)



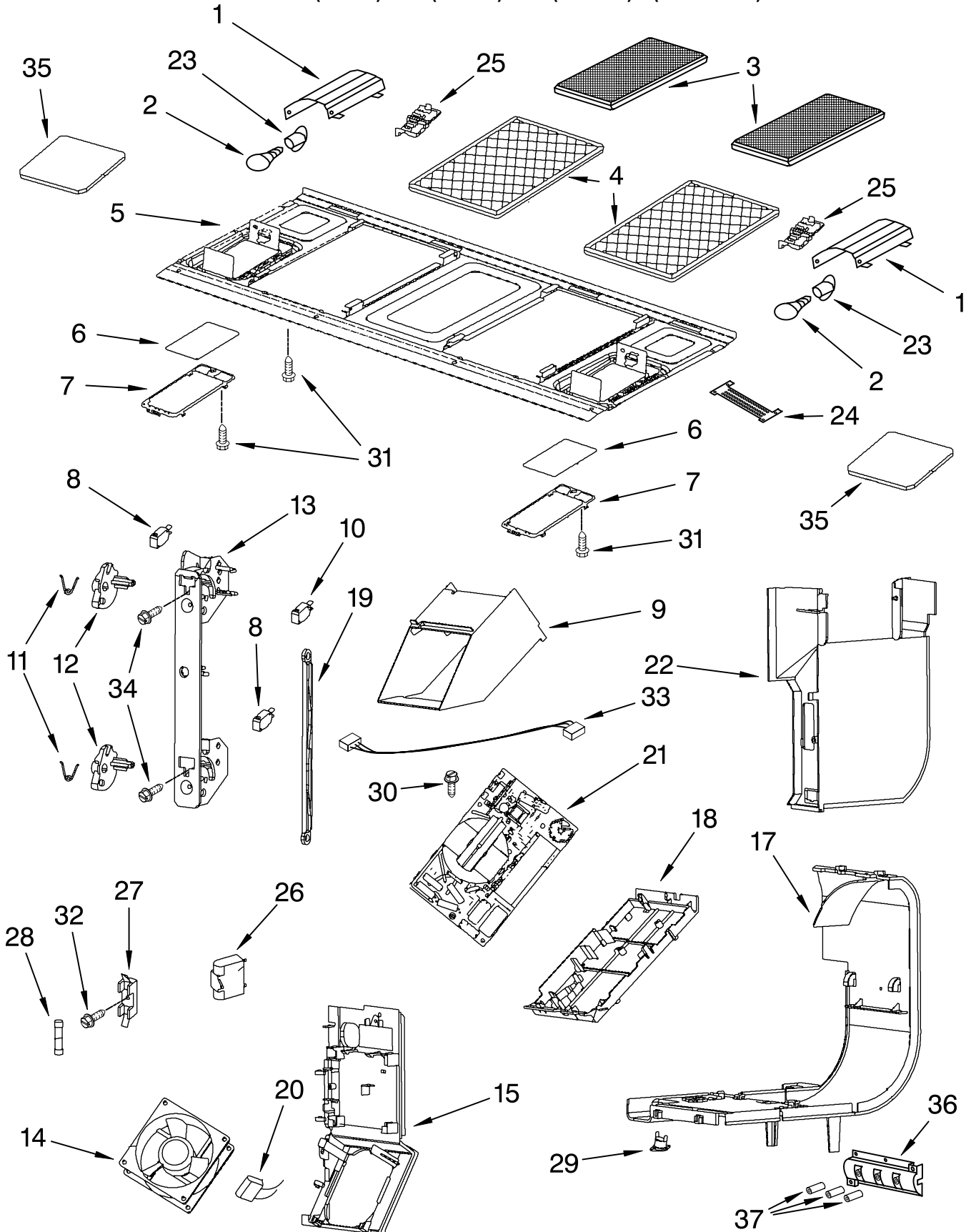
Illus. No.	Part No.	DESCRIPTION
1	8184922	Pivot, Door
2	8184922	Handle, Door
	8205224	White
	8205227	Stainless
	8205226	Biscuit
	8205225	Black
3	W10114254	Lower Hinge
4	8169479	Screw
5	8205438	Screw
6	4393278	Washer
7	W10114255	Upper Hinge
8		Complete Door
	8205413	White
	8205416	Stainless
	8205415	Biscuit
	8205414	Black

FOR ORDERING INFORMATION REFER TO PARTS PRICE LIST

# INTERIOR AND VENTILATION PARTS

For Models: GH5184XPQ4, GH5184XPB4, GH5184XPT4, GH5184XPS4

(WHITE) (BLACK) (BISCUIT) (STAINLESS)



FOR ORDERING INFORMATION REFER TO PARTS PRICE LIST

# INTERIOR AND VENTILATION PARTS

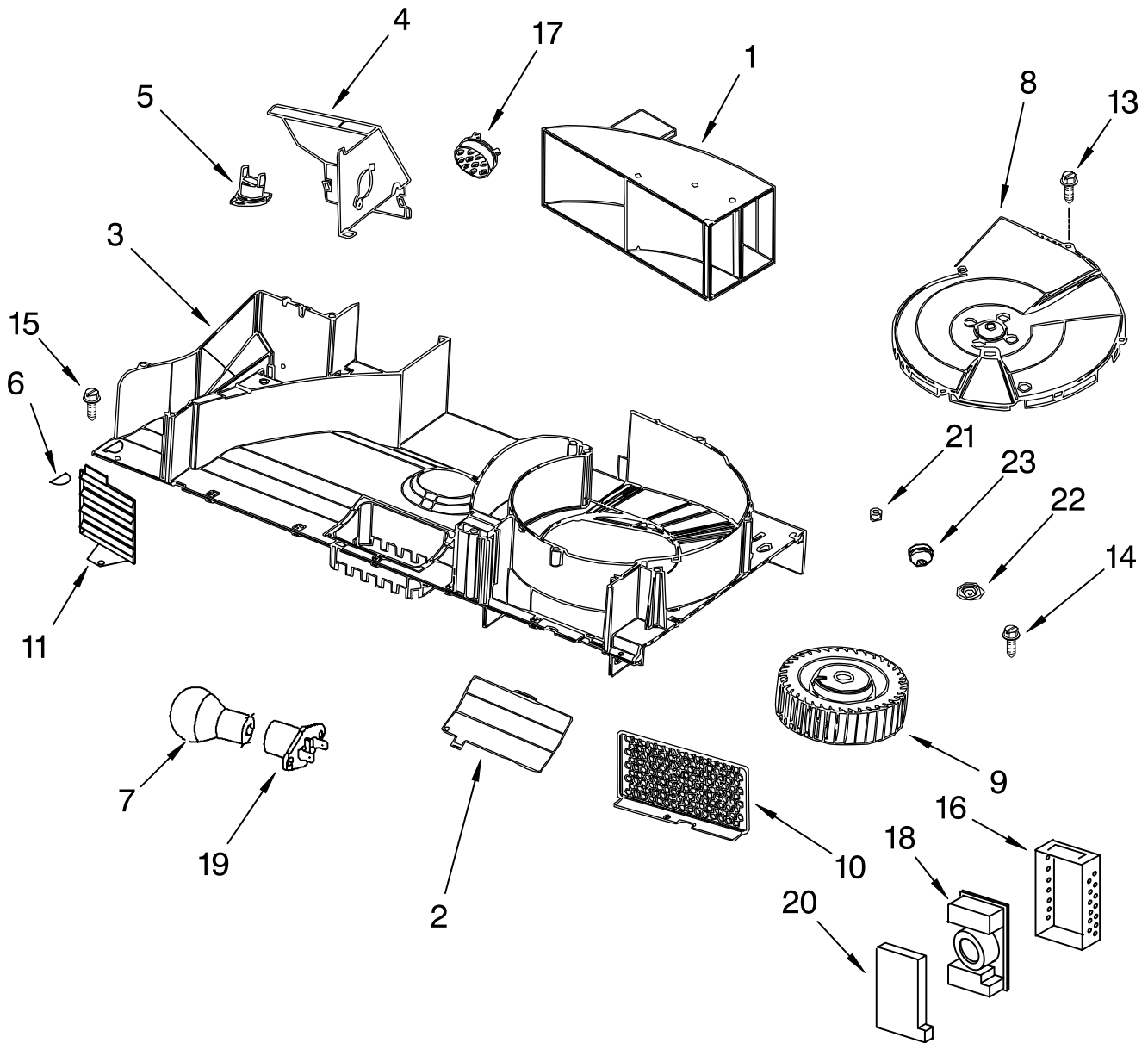
For Models: GH5184XPQ4, GH5184XPB4, GH5184XPT4, GH5184XPS4  
(WHITE) (BLACK) (BISCUIT) (STAINLESS)

<b>Illus.</b>	<b>Part</b>	
<b>No.</b>	<b>No.</b>	<b>DESCRIPTION</b>
1	8205096	Reflector, Lamp
2	8183993	Lamp
3	W10112514	Filter, Charcoal
4	W10113040	Filter, Grease
5	8205366	Plate, Bottom
6	8184141	Glass, Lamp
7	8184889	Holder, Glass
8	8206352	Switch, Micro Primary/Secondary
9	W10110596	Cover, Inverter
10	8206345	Switch, Micro
11	8169438	Spring, Interlock
12	8205211	Plate, Cam
13	8185189	Support, Interlock
14	8184875	Fan, DC 12 Volt
15	8184894	Housing, Fan
17	8206565	Bracket, Holder
18	8184670	Holder, Inverter
19	8185190	Rod-Locking Link
20	8184093	Capacitor, 125 V
21	8205093	Inverter 1100 W
22	8185031	Plate, Side
23	8184926	Holder, Lamp
24	8184887	Cable
25	8184202	Cover, Terminal
26	8184204	Capacitor
27	8184312	Holder, Fuse
28	4393308	Fuse
29	8183998	Thermostat
30	8184199	Screw
31	4393835	Screw
32	8184200	Screw
33	8205014	Ribbon Cable (P2 to CN701 on 1100 W Inverter)
34	8169477	Screw
35	8184203	Foil, Lamp
36	W10114257	Brkt-Support Ferrite Holder
37	8206086	Ferrite Ring

FOR ORDERING INFORMATION REFER TO PARTS PRICE LIST

# AIR FLOW PARTS

For Models: GH5184XPQ4, GH5184XPB4, GH5184XPT4, GH5184XPS4  
(WHITE) (BLACK) (BISCUIT) (STAINLESS)



Illus. No.	Part No.	DESCRIPTION
1	8184667	Deflector, Air
2	W10110593	Cover, Lamp
3	8185350	Duct, Air
4	8204789	Bracket, Thermostat
5	8183999	Thermostat
6	8204676	Cover
7	8183993	Lamp

Illus. No.	Part No.	DESCRIPTION
8	8184884	Cover, Fan
9	W10114253	Motor, Fan Assy
10	8204754	Shield
11	8206460	Shield
13	4393834	Screw
14	8184198	Screw
15	8169474	Screw
16	W1011258	Holder-Noise Fltr

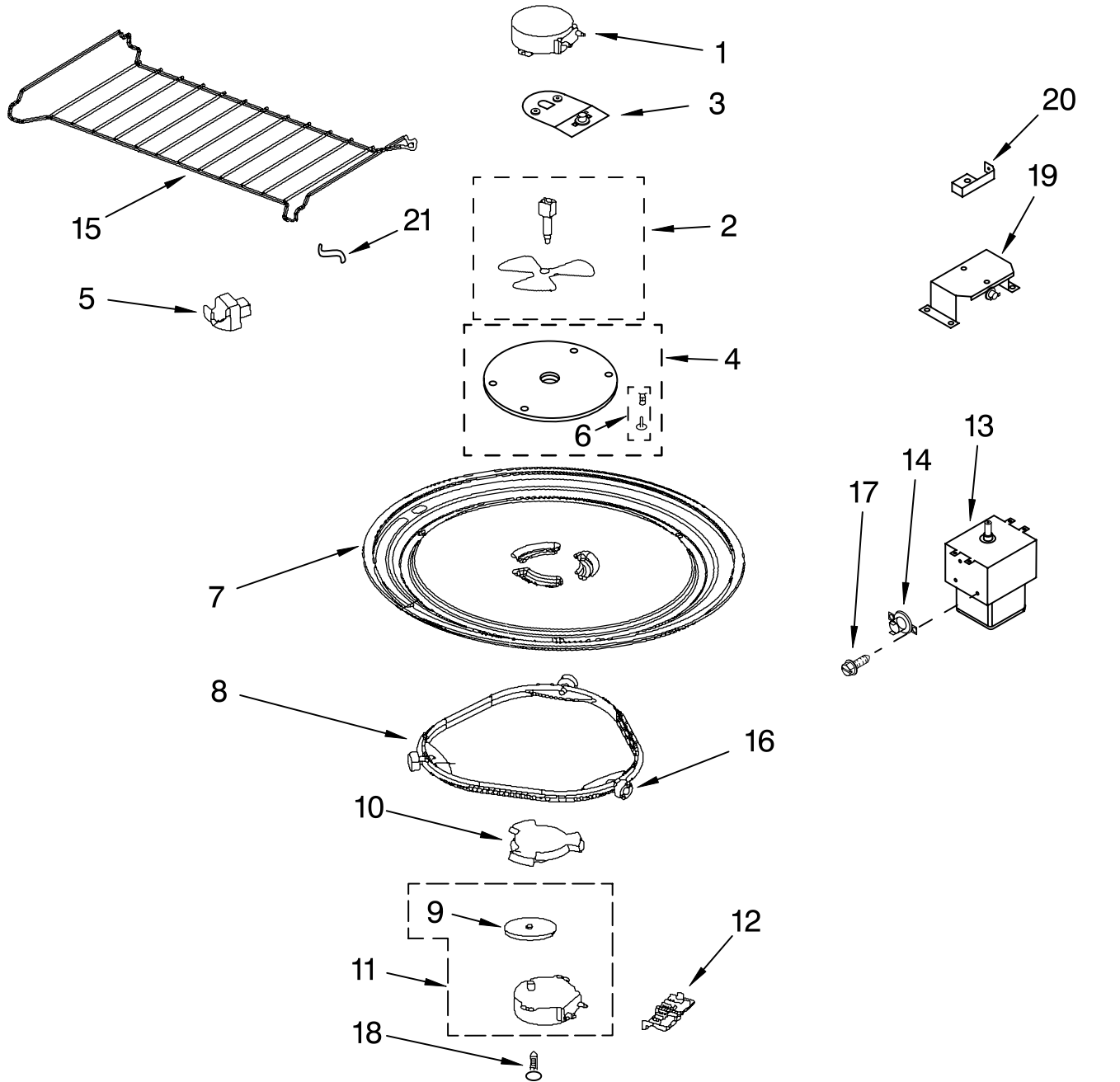
Illus. No.	Part No.	DESCRIPTION
17	8206446	Humidity, Sensor
18	8205853	Filter
19	8184926	Holder, Lamp
20	W10114259	Cvr Plt-NoiseFltr
21	8184129	Spacer-Copper Pipe
22	8204674	Plate, Damper
23	8169635	Cushion, Mtr

FOR ORDERING INFORMATION REFER TO PARTS PRICE LIST

# MAGNETRON AND TURNTABLE PARTS

For Models: GH5184XPQ4, GH5184XPB4, GH5184XPT4, GH5184XPS4

(WHITE) (BLACK) (BISCUIT) (STAINLESS)



Illus. No.	Part No.	DESCRIPTION
1	8205044	Motor, Stirrer
2	8205202	Stirrer Shaft/Blade
3	8206454	Thermostat/Bracket
4	8184476	Cover, Inlet Includes Nails and Bushings
5	8206118	Hook, Rack (4)

Illus. No.	Part No.	DESCRIPTION
6	8184549	Nails/Bushings (5 of each)
7	8206226	Turntable
8	8206227	Ring, Turntable
9	8184109	Spacer, Waterproof
10	8206228	Driver, Turntable
11	8183953	Motor, Turntable
12	W10110598	Cover, Terminal
13	8206317	Magnetron

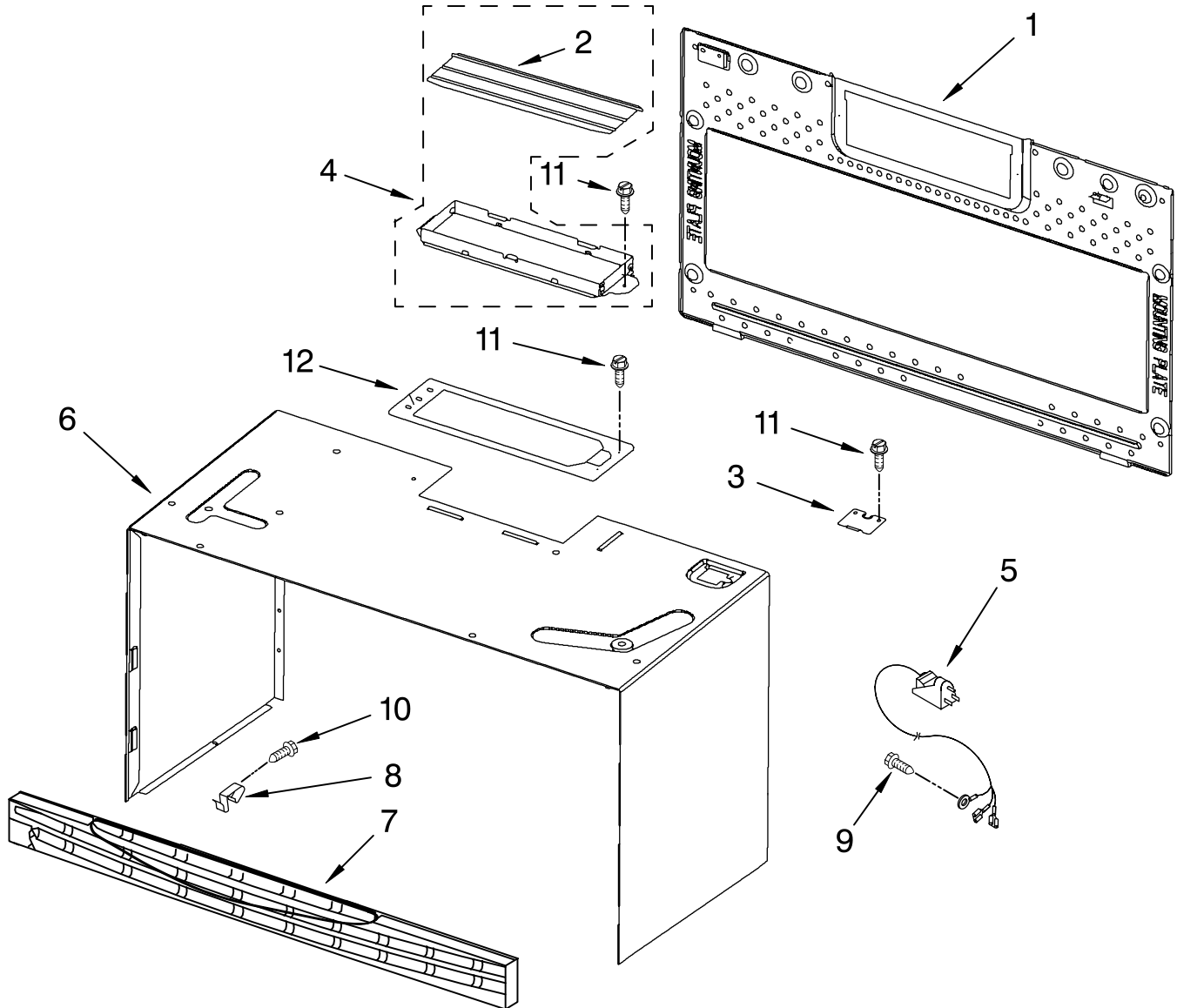
Illus. No.	Part No.	DESCRIPTION
14	8183994	Thermostat
15	8205549	Rack
16	4393861	Wheel (3)
17	4393838	Screw
18	4393832	Screw
19	8205578	Thermostat/Bracket
20	W10110595	Bracket, Plug
21	W10107780	Spacer (4)

FOR ORDERING INFORMATION REFER TO PARTS PRICE LIST

# CABINET AND INSTALLATION PARTS

For Models: GH5184XPQ4, GH5184XPB4, GH5184XPT4, GH5184XPS4

(WHITE) (BLACK) (BISCUIT) (STAINLESS)



Illus. No.	Part No.	DESCRIPTION
1	8206315	Plate, Mounting
2	8205741	Door, Damper
3	8184897	Lid, Power Cord
4	8206442	Frame, Damper
5	8205640	Cord, Power
6		Case, Outer
	8205397	White
	8205398	Black
	8205399	Biscuit
7		Grille, Vent
	8205214	White
	8205215	Black
	8205216	Biscuit
	8205217	Stainless
8	8184190	Clip, Grille
9	4393836	Screw

Illus. No.	Part No.	DESCRIPTION
10	8169475	Screw
11	4393472	Screw
12	W10110597	Plate, Damper
<b>Miscellaneous</b>		
	8205947	Installation, Hardware
	8184781	Template, Upper
	8169704	Screw, Top Mountng
	W10114260	Harns-Wire AC Line Filter
	W10114261	Harns-Wire, Main
	W10114262	Harns-Wire Lamp/TT

Illus. No.	Part No.	DESCRIPTION
	W10110602	Harns-Wire Filter Capacitor
	W10110600	Harns-Wire Magnetron
	W10114263	Harns-Wire Ground, Inverter
	W10110601	Harns-Wire Ground, Main
	W10111830	Harns-Wire Ground, Hum Sensor
	8205014	Harns-Wire PCB to Inverter
	W10114264	Harns-Wire Cavity Therm 1-2
	W10114265	Harns-Wire Cavity Therm 2-3

FOR ORDERING INFORMATION REFER TO PARTS PRICE LIST