



6:01

POPCORN QUICK DEFROST AUTO REHEAT

POWER LEVEL CONV BAKE

CAKE PIE

AUTO COOKING MORE/LESS

1 2 3

4 5 6

7 8 9

TIMER 0 CLOCK

KEEP WARM SERVING/WEIGHT QUICK MIN

SETTINGS PAUSE/STOP START

*Effectif et nombres de programmes pour le choix automatique*  
\* Pour le manuel d'utilisation pour les recettes de cuisson automatique  
Appuyez sur l'option Push après avoir sélectionné le numéro de programme de cuisson automatique.

1. Cakes	4. Miel Surgelés	7. Lentilles Surgelées
2. Biscuits	5. Pommes De Terre	8. Riz
3. Soupe	6. Légumes Frais	9. Frites De Pommes

# BUILT-IN MICROWAVES

## PROFESSIONAL & MASTERPIECE® SERIES

Thermador's trademark engineering brings practicality and elegance to your kitchen with our 10-power-level microwave ovens. Choose from traditional or convection models. The convection model combines a convection oven with a microwave oven to give you the best of both worlds. Use it in microwave mode for fast heating, or in convection mode as an extra oven. And to perfectly integrate the traditional model with your Professional or Masterpiece® Series appliances, we offer a handsome, matching lift door.

## BUILT-IN MICROWAVES FEATURES & BENEFITS



### CONVECTION TECHNOLOGY

Hot air circulates within the unit, so you enjoy more even heating and faster cooking results without any loss of flavor.



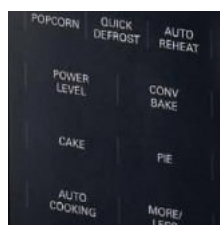
### LIFT DOOR

This door conceals the microwave while creating a perfectly integrated appearance with other Thermador products in your kitchen (for use with microwave MBESLFTD only).



### ADEX AWARD WINNER

For convection microwaves



### 10 POWER LEVELS

When microwaving, enjoy the ultimate in control and flexibility for perfect results every time.

### SMART SENSOR

Microwave oven simplifies programming so you can cook or reheat food without setting the time.

### KEEP WARM

Keep food warm up to 30 minutes after cooking.

### QUICK DEFROST

Defrost foods such as meat, poultry and seafood simply by entering the weight.

### QUICK MINUTE

Set or add cooking time in 1 minute increments up to 10 minutes.

## BUILT-IN MICROWAVES PLANNING INFORMATION

### MODEL OPTIONS

There are two Thermador Built-in Microwaves to choose from—traditional and convection. 27-inch and 30-inch stainless steel trim kits are available for each.

An optional stainless steel oven lift door is available for use with the traditional, non-convection model MBESLFTD only. The lift door conceals your microwave behind a coordinating stainless steel door with either a Masterpiece® or Professional Handle for a perfectly integrated appearance with other Thermador appliances in your kitchen.

### INSTALLATION CONSIDERATIONS

The information in this design guide provides key features, product dimensions, cutouts and installation specifications. Before installing a Thermador microwave oven, be sure to verify the cabinet dimensions and electrical connections. Also, always consult with the installation manual packed with the product for complete details before installing.

It is the responsibility of the owner and the installer to determine if additional requirements and/or standards apply to specific installations.

MBES/MCES models must be used in conjunction with a 27-inch or 30-inch microwave trim kit.

Your microwave oven can be installed into a cabinet or wall by itself or above any Thermador Built-in Oven.

To reduce the risk of fire and electric shock, install microwave at least  $\frac{3}{4}$ " above designated oven.

The oven must be placed on a flat, stable surface. Place the front surface of the door three inches or more from the counter top edge to avoid accidental tipping of the microwave oven during normal use.

Do not block air vents. If they are blocked during operation, the oven may be overheated and damaged. If the oven overheats, a thermal safety device will turn the oven off. The oven will remain inoperable until it has cooled.

**CAUTION:** Electrical appliances must always be operated with the lift door open in order to ensure adequate ventilation!

Do not place oven near a hot, damp surface such as a gas or electric range, dishwasher, or in an excessively humid room.

### WARRANTY

Limited warranty parts and labor (1 year).

See page 294 for additional warranty details.

### ELECTRICAL SPECIFICATIONS

The oven must be on a separate circuit. No other appliance should share the circuit with the microwave oven. If it does, the branch circuit fuse may blow or the circuit breaker may trip, or the food may cook slower than recommended.

This appliance must be grounded. It is equipped with a cord having a grounding wire with a grounding plug. The plug must be plugged into at least a 20 Amp, 120 Volt, 60 Hz three-prong, grounded outlet that is properly installed.

The voltage used must be the same as specified on this microwave oven (120V, 60Hz). Using a higher voltage is dangerous and may result in a fire or oven damage. Using a lower voltage will cause slow cooking.

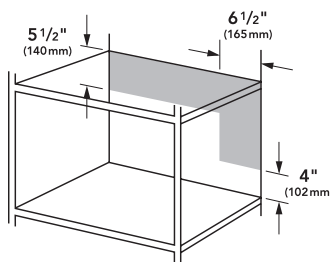
Do not use an extension cord. If the power supply cord is too short, have a qualified electrician or serviceman install an outlet near the appliance.

MODEL	REQUIRED CIRCUIT BREAKER
	240V, 60 Hz
MBES	20 Amp
MBESLFTD	20 Amp
MCES	20 Amp

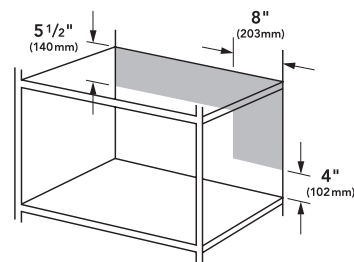
### ELECTRICAL LOCATION

The outlet must be properly grounded in accordance with all applicable codes. It can be installed in the backwall directly behind the oven. The outlet should be located anywhere within the shaded area.

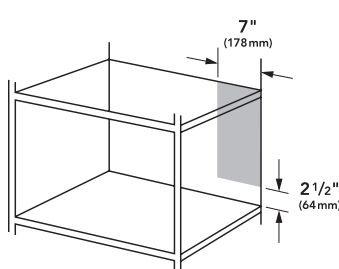
27-Inch Traditional



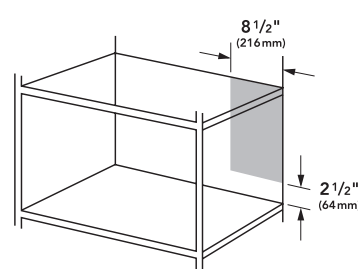
30-Inch Traditional



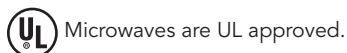
27-Inch Convection



30-Inch Convection



**Note:** See page 207 for electrical location for model MBESLFTD



## BUILT-IN MICROWAVES TRADITIONAL

Model: MBES



MASTERPIECE & PROFESSIONAL

MBES

### SPECIFICATIONS

Overall Microwave Width	23 7/8"
Overall Microwave Height	12 7/8"
Overall Microwave Depth	19 7/16"
Cutout Width (27" Trim Kit)	25 7/16"
Cutout Width (30" Trim Kit)	28 7/16"
Cutout Height	19 7/8"
Cutout Depth	21"
27" Trim Kit (Overall W x H x D)	26 3/4" x 20 1/2" x 1 1/2"
30" Trim Kit (Overall W x H x D)	29 3/4" x 20 1/2" x 1 1/2"
Max. Microwave Power	1,200 W
Total Watts	1,460 W
Electrical Supply	120V/60Hz
Required Circuit Breaker	20 Amp
Power Cord Length	41 5/16"
Power Cord Included	120V-3 prong
Interior Capacity (cu. ft.)	2.1
Interior Dimensions (W x H x D)	18 7/16" x 10 15/16" x 18 1/2"
Shipping Weight (lbs.)	40

MBES

### PERFORMANCE

- Innovative Microwave Inverter technology offers consistent cooking performance
- 1,200 Watts Microwave power
- 10 Microwave power levels
- Automatic Beverages Reheat – automatically determines cooking level and time
- Popcorn program
- Quick Defrost

### DESIGN

- Built-in Microwave is the perfect companion for any Thermador Wall Oven
- Chiseled and bold Thermador design
- Available with 27" or 30" Trim Kit for a sleek built-in look
- Premium glass touch control
- Blue digital display with scrolling text

### CAPACITY

- Spacious 2.1 cu. ft. cavity
- 16 1/2" recessed glass turntable

### CONVENIENCE

- Sensor cooking programs measure humidity and adjust cooking level and cooking time
- Automatic Smart Sensor Reheat – automatically determines cooking level and time
- Timer offers automatic delay start mode
- Keep Warm mode
- Quick Minute conveniently adds cooking time

## ACCESSORIES

### TRIM KITS

Designed for built-in installation Only. Stainless steel trim kit coordinates with your Thermador appliances. Trim kit includes exterior trim and components necessary to install built-in microwave



27-INCH TRIM KIT  
MET27ES (Shown with MBES)



30-INCH TRIM KIT  
MET30ES (Shown with MBES)



INSTALLATION OPTIONS

WALL-MOUNTED OR CABINET INSTALLATION

A Thermador Microwave may be installed into a cabinet or wall by itself or above any Thermador Built-in Oven.

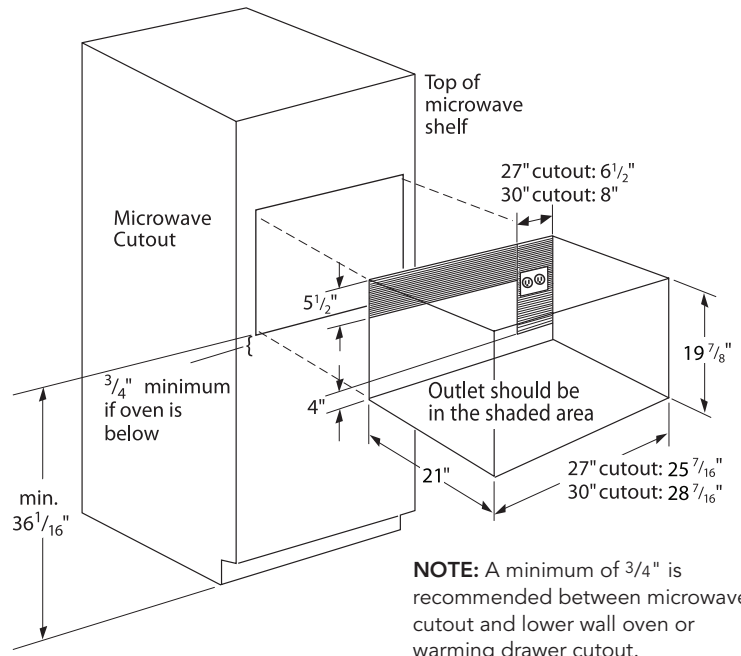
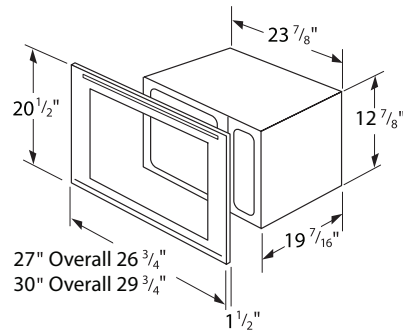
A Thermador Microwave may also be installed above any Thermador Warming Drawer.

To reduce the risk of fire and electric shock, install microwave at least  $\frac{3}{4}$ " above designated oven or warming drawer.

IMPORTANT

MBES/MCES models must be used in conjunction with a 27-inch or 30-inch microwave trim kit.

MICROWAVE OVEN AND CUTOUT DIMENSIONS



## BUILT-IN MICROWAVES TRADITIONAL WITH LIFT DOORS

Models: MBESLFTD, LFTD30M, LFTD30P



### MASTERPIECE & PROFESSIONAL

MBESLFTD

For use with Masterpiece® or Professional Lift Door

### SPECIFICATIONS

Overall Microwave Width	23 7/8"
Overall Microwave Height	12 7/8"
Overall Microwave Depth	19 7/16"
Overall Lift Door Width	29 3/4"
Overall Lift Door Height	21 7/8"
Overall Lift Door Depth	21 5/8"
Cutout Width with Lift Door	28 7/16"
Cutout Height with Lift Door	21 1/4"
Cutout Depth with Lift Door	21 11/16"
Max. Microwave Power	1,200 W
Total Watts	1,460 W
Electrical Supply	120V/60Hz
Required Circuit Breaker	20 Amp
Power Cord Length	41 5/16"
Power Cord Included	120V-3 prong
Interior Capacity (cu. ft.)	2.1
Interior Dimensions (W x H x D)	18 7/16" x 10 15/16" x 18 1/2"
Shipping Weight, Microwave (lbs.)	40

### MBESLFTD

#### PERFORMANCE

- Innovative Microwave Inverter technology offers consistent cooking performance
- 1,200 Watts Microwave power
- 10 Microwave power levels
- Automatic Beverages Reheat – automatically determines cooking level and time
- Popcorn program
- Quick Defrost

#### DESIGN

- Microwave for use with Lift doors LFTD30M or LFTD30P
- Chiseled and bold Thermador design
- Premium glass touch control
- Blue digital display with scrolling text

#### CAPACITY

- Spacious 2.1 cu. ft. cavity
- 16 1/2" recessed glass turntable

#### CONVENIENCE

- Sensor cooking programs measure humidity and adjust cooking level and cooking time
- Automatic Smart Sensor Reheat – automatically determines cooking level and time
- Timer offers automatic delay start mode
- Keep Warm mode
- Quick Minute conveniently adds cooking time

### LIFT DOORS

This door conceals the microwave while creating a perfectly integrated appearance with other Thermador products in your kitchen (for use with microwave MBESLFTD only).



MASTERPIECE SERIES LIFT DOOR  
LFTD30M



PROFESSIONAL SERIES LIFT DOOR  
LFTD30P

INSTALLATION OPTIONS

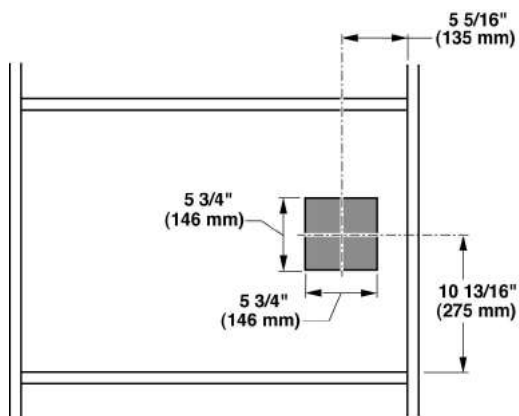
Thermador Microwave model MBESLFTD is specifically designed for use with Thermador Lift Doors (sold separately). Lift doors are available in Masterpiece® or Professional Series to perfectly integrate with other Thermador products in your kitchen.

A Thermador Microwave with Lift Door may be installed into a cabinet or wall by itself or above any Thermador Built-in Oven. A Thermador Microwave with Lift Door may also be installed above any Thermador Warming Drawer. The lift door will conceal the microwave to create a sleek appearance.

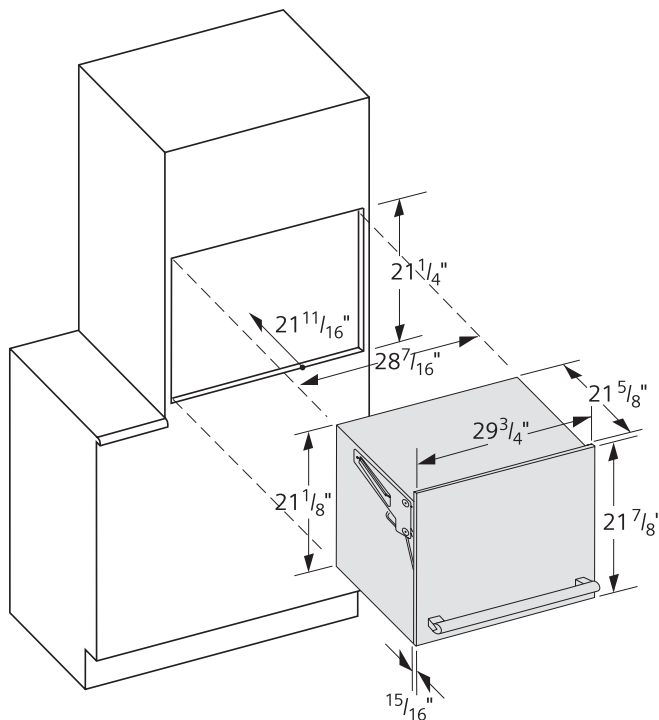
IMPORTANT

Microwave oven must always be operated with the lift door open in order to ensure adequate ventilation.

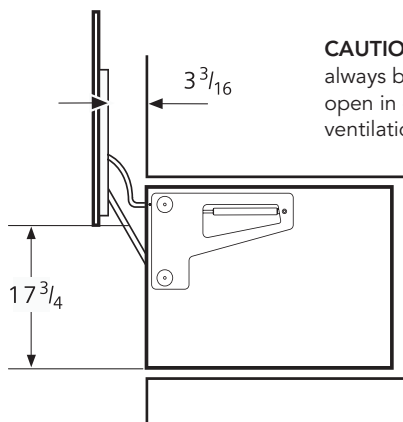
ELECTRICAL LOCATION



LIFT DOOR AND CUTOUT DIMENSIONS



LIFT DOOR DIMENSIONS



**CAUTION:** Electrical appliances must always be operated with the lift door open in order to ensure adequate ventilation!



## BUILT-IN MICROWAVES CONVECTION

Model: MCES



MASTERPIECE® & PROFESSIONAL

MCES

### SPECIFICATIONS

Overall Microwave Width	23 7/8"
Overall Microwave Height	14 13/16"
Overall Microwave Depth	19 5/16"
Cutout Width (27" Trim Kit)	25 7/16"
Cutout Width (30" Trim Kit)	28 7/16"
Cutout Height	19 7/8"
Cutout Depth	21"
27" Trim Kit (Overall W x H x D)	26 3/4" x 20 1/2" x 1 1/2"
30" Trim Kit (Overall W x H x D)	29 3/4" x 20 1/2" x 1 1/2"
Max. Microwave Power	1,000 W
Total Watts	1,500 W
Electrical Supply	120V/60Hz
Required Circuit Breaker	20 Amp
Power Cord Length	41 5/16"
Power Cord Included	120V-3 prong
Interior Capacity (cu. ft.)	1.5
Interior Dimensions (W x H x D)	16 1/4" x 9 1/2" x 16 13/16"
Shipping Weight (lbs.)	40

### MCES

#### PERFORMANCE

- Innovative Microwave Inverter technology offers consistent cooking performance
- 1,000 Watts Microwave power
- 10 Microwave power levels
- Convection Bake Mode offers the perfect solution for baking small meals
- Popcorn program
- Quick Defrost

#### DESIGN

- Built-in Convection Microwave is the perfect companion for any Thermador Wall Oven
- Chiseled and bold Thermador design
- Available with 27" or 30" Trim Kit for a sleek built-in look
- Premium glass touch control
- Blue digital display with scrolling text

#### CAPACITY

- 1.5 cu. ft. Stainless Steel cavity
- 15" recessed ceramic turntable

#### CONVENIENCE

- Sensor cooking programs measure humidity and adjust cooking level and cooking time
- Automatic Smart Sensor Reheat – automatically determines cooking level and time
- Automatic Convection Bake programs
- Timer offers automatic delay start mode
- Keep Warm mode
- Quick Minute conveniently adds cooking time

## ACCESSORIES

### TRIM KITS

Designed for built-in installation Only. Stainless steel trim kit coordinates with your Thermador appliances. Trim kit includes exterior trim and components necessary to install built-in microwave



27-INCH TRIM KIT  
MCT27ES (Shown with MCES)



30-INCH TRIM KIT  
MCT30ES (Shown with MCES)

INSTALLATION OPTIONS

WALL-MOUNTED OR CABINET INSTALLATION

A Thermador Microwave may be installed into a cabinet or wall by itself or above any Thermador Built-in Oven.

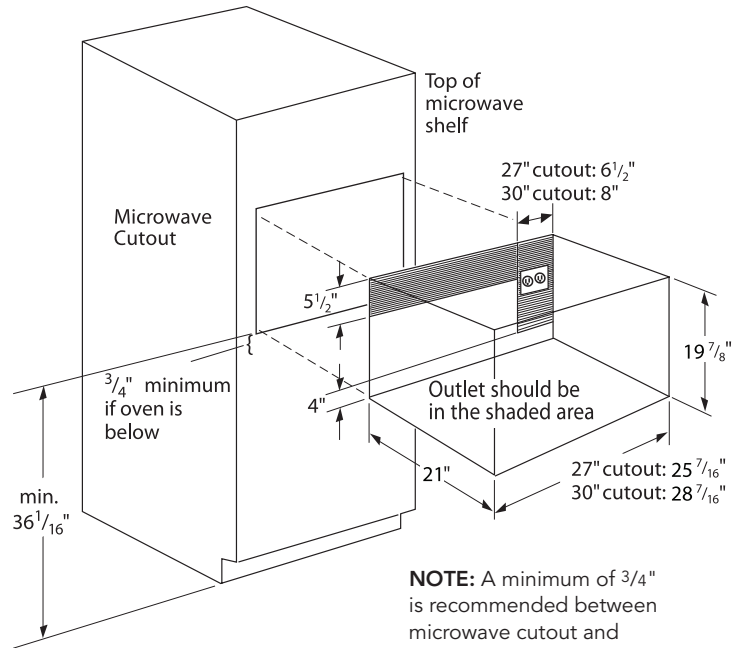
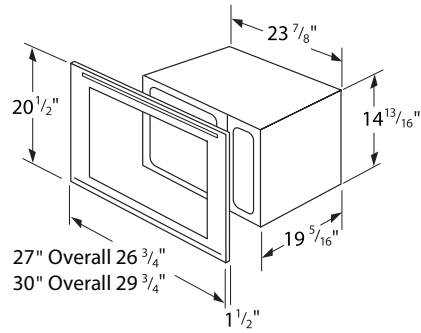
A Thermador Microwave may also be installed above any Thermador Warming Drawer.

To reduce the risk of fire and electric shock, install microwave at least 3/4" above designated oven or warming drawer.

IMPORTANT

MBES/MCES models must be used in conjunction with a 27-inch or 30-inch microwave trim kit.

MICROWAVE OVEN AND CUTOUT DIMENSIONS



**NOTE:** A minimum of 3/4" is recommended between microwave cutout and lower wall oven or warming drawer cutout.