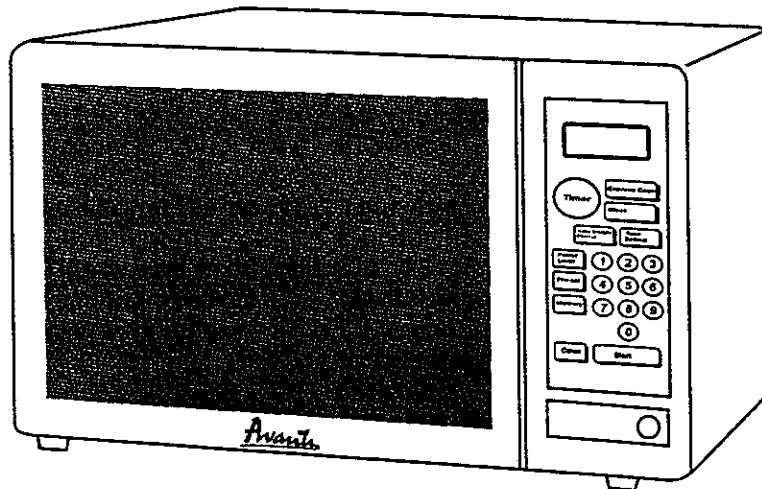


Avanti[®]

MICROWAVE OVEN INSTRUCTION MANUAL

Model Number:
MO629T



CAUTION:

BEFORE USE, PLEASE READ AND FOLLOW ALL SAFETY RULES AND OPERATING INSTRUCTIONS.

Avanti has a policy of continuous improvement on its products and reserves the right to change materials and specifications without notice.

Avanti Products, A Division of The Mackle Co., Inc.
P.O. Box 520604 - Miami, Florida 33152
www.avantiproducts.com

Warranty Information

Thank you for purchasing this fine Avanti product. Please fill out this card and return it within 100 days of purchase and receive these important benefits:

- **Confirm your warranty:**
Your prompt product registration confirms your right to the protection available under the terms and conditions of your Avanti warranty.
- **Protect your product:**
We will keep the model number and date of purchase of your new Avanti product on file to help you refer to this information in the event of an insurance claim such as fire or theft.
- **Promote better products:**
We value your input. Your response will help us develop products designed to best meet your future needs.

----- (detach here) -----

Avanti Registration Card

Name	Model #	Serial #
Address	Date Purchased	Store/Dealer Name
City State Zip	Occupation	
Area Code Phone Number	As Your Primary Residence, Do You:	
Did You Purchase An Additional Warranty:	<input type="checkbox"/> Own <input type="checkbox"/> Rent	
<input type="checkbox"/> Extended <input type="checkbox"/> Food Loss <input type="checkbox"/> None	Your Age:	
Reason For Choosing This Avanti Product:	<input type="checkbox"/> under 18 <input type="checkbox"/> 18-25 <input type="checkbox"/> 26-30	
Please indicate the most important factors that influenced your decision to purchase this product.	<input type="checkbox"/> 31-35 <input type="checkbox"/> 36-50 <input type="checkbox"/> over 50	
<input type="checkbox"/> Price	Marital Status:	
<input type="checkbox"/> Product Features	<input type="checkbox"/> Married <input type="checkbox"/> Single	
<input type="checkbox"/> Avanti Reputation	Is This Product Used In The:	
<input type="checkbox"/> Product Quality	<input type="checkbox"/> Home <input type="checkbox"/> Business	
<input type="checkbox"/> Salesperson Recommendation	How Did You Learn About This Product:	
<input type="checkbox"/> Friend/Relative Recommendation	<input type="checkbox"/> Advertising <input type="checkbox"/> Product Features	
<input type="checkbox"/> Warranty	<input type="checkbox"/> In Store Demo <input type="checkbox"/> Personal Demo	
<input type="checkbox"/> Other _____	<input type="checkbox"/> Other _____	
	Comments _____	

HELP US HELP YOU...

Read this guide carefully.

It is intended to help you operate and maintain your new appliance properly.

Keep it handy to answer your questions. If you don't understand something or your need more help, please call:

Avanti Customer Service
800-220-5570

Keep proof of original purchase date (such as your sales slip) with this guide to establish the warranty period.

Write down the model and serial numbers.

You'll find them on a plate located on the back of the appliance.

Please write these numbers here:

Date of Purchase

Model Number

Serial Number

Use these numbers in any correspondence or service calls concerning your appliance.

If you received a damaged appliance, immediately contact the dealer (or builder) that sold you the appliance.

Save time and money. Before you call for service, check the Troubleshooting Guide. It lists causes of minor operating problems that you can correct yourself.

IF YOU NEED SERVICE

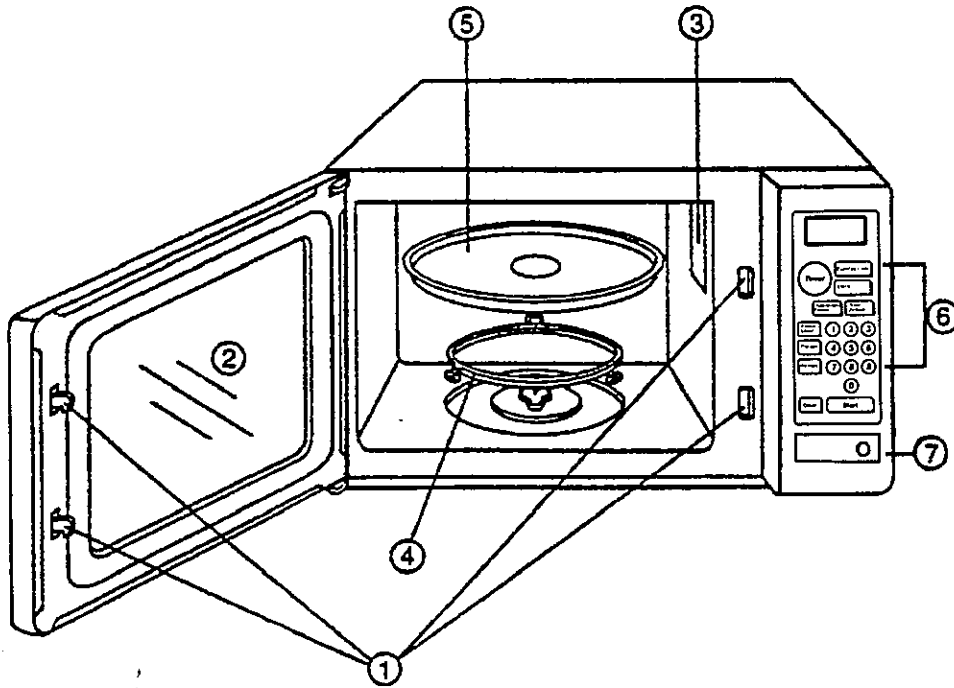
We're proud of our service and want you to be pleased. If for some reason you are not happy with the service you receive, here are some steps to follow for further help.

FIRST, contact the people who serviced your appliance. Explain why you are not pleased. In most cases, this will solve the problem.

NEXT, if you are still not pleased, write all the details, including your telephone number, and send to:

Customer Service
Avanti Products
10880 NW 30 Street
Miami, FL 33172

PARTS AND FEATURES



1. Door Safety Lock System
2. Oven Window
3. Oven Air Vent
4. Roller Ring
5. Glass Tray
6. Control Panel
7. Door Release Button

Table of Contents

Warranty Information and Registration Card	2
Help Us Help You	3
Parts and Features	4
Important Safety Instructions	6
Installation Instructions	6
Before Using Your Appliance	6
Installation of Your Appliance	7
Safety Precautions	7
General Use	7,8
Utensils	8
Food	8
Electrical Connection	9
Operating Your Appliance	10
Control Panel	10
Operation Procedure	11
Care and Maintenance	11
Cleaning Your Appliance	11
Identifying The Oven Controls	12
Special Oven Features	13
How to Set the Oven Controls	14, 15
Troubleshooting Guide	16
Service For Your Appliance	17
Your Avanti Products Warranty	18
Parts Breakdown	19
Parts List	20
Wiring Diagram	21

Important Safety Instructions



To reduce the risk of fire, electrical shock, or injury when using your appliance, follow these basic precautions:

- Read all instructions before using the appliance.
- Some products such as whole eggs and sealed container-(for example, closed glass jars) may explode and should not be heated in microwave oven.
- Use this microwave oven only for its intended use as described in this manual.
- Do not use corrosive chemicals or vapors in this appliance. This type of oven is specifically designed to heat, cook, or dry food. It is not designed for industrial or laboratory use.
- As with any appliance, close supervision is necessary when used by children.
- Do not operate this microwave oven if it has a damaged cord or plug, if it is not working properly, or if it has been damaged or dropped.
- To reduce the risk of fire in the oven cavity:
 - Do not overcook food. Carefully attend microwave oven if paper, plastic, or combustible materials are placed inside the oven to facilitate cooking.
 - Remove wire twist-ties from bags before placing bag in oven.
 - If materials inside the oven should ignite, keep oven door closed, turn oven off at the wall switch, or shut off power at the fuse or circuit breaker panel.
 - Do not use the cavity for storage purposes. Do not leave paper products, cooking utensils, or food in the cavity when not in use.
- Only qualified service personnel should service this appliance. Contact the nearest authorized service facility for examination, repair or adjustment.
- Do not cover or block any openings on this appliance.
- Do not use this microwave oven to heat corrosive chemicals (for example, sulfides and chlorides). Vapors from such corrosive chemicals may interact with the contact and springs of the safety interlock switches thereby rendering them inoperable.
- Do not immerse cord or plug in water.
- Keep cord away from heated surfaces.
- Do not let cord hang over edge of table or counter.
- Never clean appliance parts with flammable fluids. The fumes can create a fire hazard or explosion.
- Do not store or use gasoline or any other flammable vapors and liquids in the vicinity of this or any other appliance. The fumes can create a fire hazard or explosion.

-Save these instructions-

INSTALLATION INSTRUCTIONS

> Before Using Your Appliance

- Remove the exterior and interior packing.
- Check to be sure you have all of the following parts:
 - Glass Tray
 - Roller Ring
 - Instruction Manual
- Inspect the oven after unpacking for any visual damage such as:
 - Misaligned Door
 - Damaged Door
 - Dents or Holes in Door Window and Screen
 - Dents in Cavity

If any of the above are visible, DO NOT use the oven.

> Installation of Your Appliance

- When positioning the microwave oven, it should be set on a flat, steady surface.
- Do not block air vents. If they are blocked during operation, the oven may overheat and eventually cause oven failure.
- Poor television reception and radio interference may result if the oven is located close to a TV, radio, antenna, or antenna wire. Position the oven as far from them as possible.
- Clean the interior surface with lukewarm water using a soft cloth.
- Keep the oven away from hot air, steam or splashing liquids when choosing a place to locate it, otherwise, the unit's operation may be adversely affected, causing it to break down.
- Direct sunlight may affect the acrylic coating and heat sources may increase electrical consumption.
- Plug the appliance into an exclusive properly installed-grounded wall outlet. Do not under any circumstances cut or remove the third (ground) prong from the power cord. Any questions concerning power and or grounding should be directed toward a certified electrician or an authorized Avanti Products service center.
- DO NOT place anything on the top of the oven.
- Keep the oven at least 5 inches away from both sidewalls and away from rear wall to ensure the proper ventilation.
- DO NOT remove the turn-table drive shaft.

SAFETY PRECAUTIONS

> General Use

- Do NOT attempt to tamper with or make any adjustments or repairs to door, control panel or any other part of the oven. Do NOT remove outer panel from oven. Repairs should only be done by qualified service personnel.
- Do NOT operate the oven empty. The microwave energy will reflect continuously throughout the oven if no food or water is present to absorb energy.
- Disconnect the power cord, or shut off power at the fuse or circuit breaker panel.
- Do NOT attempt to dry clothes, newspapers or other materials in oven. They may catch on fire.
- Do NOT use recycled paper products, as they may contain impurities, which may cause sparks and/or fires when used.
- Do NOT hit or strike control panel. Damage to controls may occur.

➤ **Utensils**

- METAL CONTAINERS or dishes with metallic rims should not be used. Arcing may occur.
- METAL TWIST-TIES may not be used in the microwave oven.
- Do NOT use SEALED JARS or NARROW NECK bottles for cooking or reheating. They may shatter.
- Do NOT use CONVENTIONAL THERMOMETERS in the microwave oven. They may cause arcing.
- Remove PLASTIC STORE WRAPS before cooking or defrosting in the oven.

➤ **Food**

- Never use your microwave oven for HOME CANNING. The oven is not designed to permit proper canning. Improperly canned food may spoil and be dangerous to consume.
- COOKING TIMES are approximate. Factors that may affect cooking are starting temperature, altitude, volume, size and shape of food and utensils used. As you become familiar with the oven, you will be able to adjust for these factors.
- It is better to UNDERCOOK RATHER THAN OVERCOOK foods. If food is undercooked, it can always be returned to the oven for further cooking. If food is overcooked, nothing can be done. Always start with minimum cooking times.
- SMALL QUANTITIES of food or foods with LOW MOISTURE content can burn, dry out or catch on fire if cooked too long.
- Do NOT boil eggs in their shell. Pressure may build up and the eggs will explode.
- Potatoes, apples, egg yolks, whole acorn squash and sausage are examples of food with NONPOROUS SKINS. These must be pierced before cooking to prevent bursting.
- POPCORN must be popped in a microwave corn popper. Microwave popped corn produces a lower yield than conventional popping. DO not use oven for popcorn unless popped in a microwave approved popcorn utensil or unless it's commercially packaged and recommended especially for microwave ovens. Do not use oil unless specified by the manufacturer.
- Do NOT attempt to deep fat fry in your oven.
- HEATED LIQUIDS can ERUPT if not mixed with air. Do not heat liquids in your microwave oven without first stirring.

➤ Electrical Connection

This appliance must be grounded. In the event of an electrical short circuit, grounding reduces the risk of electrical shock by providing an escape wire for the electric current. This appliance is equipped with a cord having a grounding wire with a grounding plug. The plug must be inserted into an outlet that is properly installed and grounded.

⚡ Warning ⚡

Improper use of the grounded plug can result in the risk of electrical shock. Consult a qualified electrician or service person if the grounding instructions are not completely understood, or if doubt exists as to whether the appliance is properly grounded.

The power cord of this appliance is equipped with a three-prong plug which mates with standard three prong wall outlets to minimize the possibility of electrical shock.

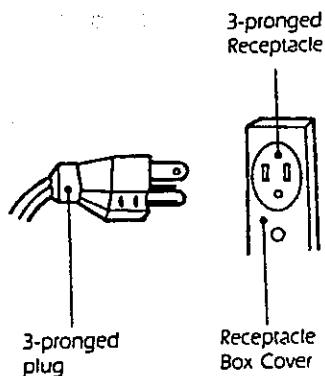
Do not under any circumstances cut or remove the third ground prong from the power cord supplied.

Use of extension cords is not recommended.

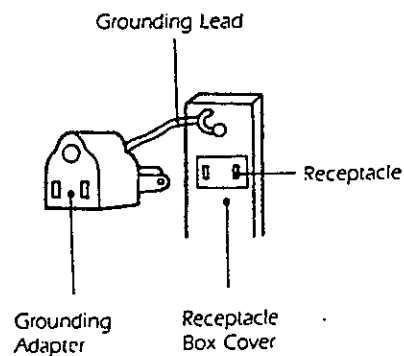
This appliance requires a standard 115/120 volt, 60Hz electrical outlet with three-prong ground.

The cord should be secured behind the appliance and not left exposed or dangling to prevent accidental injury.

When using a 3-pronged plug



When using a grounding adapter, make sure the receptacle box is fully grounded



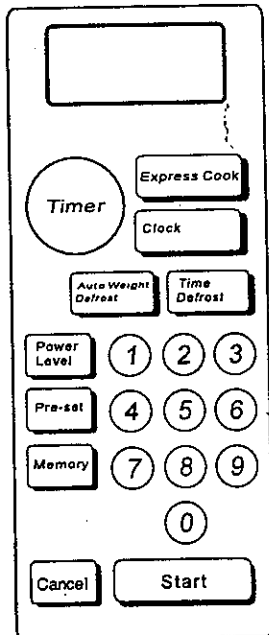
OPERATING YOUR APPLIANCE

Although your oven is provided with safety features, it is important to observe the following:

- It is important not to defeat or tamper with safety interlocks.
- Do not place any object between the oven front face and the door or allow residue to accumulate on sealing surfaces. Wipe the sealing area frequently with a mild detergent, rinse and wipe dry. Never use abrasive powders or pads.
- When opened, the door must not be subjected to strain, for example, a child hanging on an opened door or any load which could cause the oven to fall forward and cause injury and damage the door. Do not operate the oven if it is damaged, until it has been repaired by a qualified service person. It is particularly important that the oven closes properly and that there is no damage to the:
 - Door (bent).
 - Hinges and latches (broken or loosened).
 - Door seals and sealing surfaces.
- The oven should not be adjusted or repaired by anyone except properly qualified service personnel.

➤ CONTROL PANEL

Follow the applicable instructions for operation and control, which are given in "HOW TO USE THE OVEN CONTROLS"



FEATURES

CLOCK
PRE-SET
TIME DEFROST
AUTO WEIGHT DEFROST
TIME COOKING POWER LEVEL
EXPRESS COOK

SPECIAL FEATURES

MINUTE TIMER
AUTO REMINDER
CHILD PROOF LOCK

PROGRAMMING COMBINATION

PRESET

TIME DEFROST AUTO WEIGHT DEFROST
1ST STAGE TIME AND POWER LEVEL COOKING
2ND STAGE TIME AND POWER LEVEL COOKING

➤ OPERATION PROCEDURE

- Plug the power supply cord into a standard 3-pronged 15 Amp, 120v AC 60 Hz
 - After placing the food in a suitable container, open the oven door and put it on the glass tray. The glass tray and roller guide must always be in place during cooking.
 - Shut the door. Make sure that it is firmly closed.
1. When the oven door is opened, the light turns on.
 2. The oven door can be opened at any time during operation by pressing the door release button on the control panel. The oven will automatically shut off. To restart the oven, close the door and then touch START.
 3. Each time a pad is touched, a BEEP will sound to acknowledge the touch. One of the function pads must be touched before the number pads. Therefore, no beep will sound if the numeral pad is touched before the function pad.
 4. The oven automatically cooks on high power and defrosts on low power.
 5. The display will flash "1:01" when the oven is plugged in. After 1 minute, the display will change.
 6. Time of day clock returns to the present time when the oven turns off.
 7. When the CANCEL pad is touched during the oven operation, the oven stops cooking and all information is erased. If the oven door is opened during the oven operation, all information is retained.
 8. If the START pad is touched and the oven does not operate, check the area between the door and door seal for obstructions and make sure the door is closed securely. The oven will not start cooking until the door is completely closed and the program has been set.

CARE AND MAINTENANCE

➤ Cleaning Your Appliance

- Turn the oven off and remove the power plug from the wall socket before cleaning.
- Keep the inside of the oven clean. When food splatters or spilled liquids adhere to oven walls, wipe with a damp cloth. Mild detergent may be used if the oven gets very dirty. The use of harsh detergent or abrasives is not recommended.
- The outside oven surfaces should be cleaned with a damp cloth. To prevent damage to the operating parts inside the oven, water should not be allowed to seep into the ventilation openings.
- Do not allow the control panel to become wet. Clean with a soft, damp cloth. Do not use detergents, abrasives or spray-on cleaners on the control Panel. When cleaning the control Panel, leave oven door open to prevent oven from accidentally turning on.
- If steam accumulates inside or around the outside of the oven door, wipe with a soft cloth. This may occur when the microwave oven is operated under high humidity conditions and in no way indicates malfunction of the unit.
- It is occasionally necessary to remove the glass tray for cleaning. Wash the tray in warm sudsy water or in a dishwasher.
- The roller ring and oven cavity floor should be cleaned regularly to avoid excessive noise. Simply wipe the bottom surface of the oven with mild detergent, water or window cleaner and dry. The roller ring may be washed in mild sudsy water or dishwasher. Cooking vapors collect during repeated use but in no way affect the bottom surface or roller ring wheels. When removing the roller ring from cavity floor for cleaning, be sure to replace it in the proper position.
- Remove odors from your oven by combining a cup of water with the juice and skin of one lemon in a deep microwavable bowl. Microwave for 5 minutes. Wipe thoroughly and dry with a soft cloth.
- When it becomes necessary to replace the oven light, please consult a dealer to have it replaced.

IDENTIFYING THE OVEN CONTROLS

➤ NUMERAL PADS (1,2....9,0)

- Use to enter the numbers, when setting the time, power level, etc.

➤ POWER LEVEL

- Use to set the power level.
- This oven has 10 power levels. The power level selections are from 10% to 100% of power output.
- The oven automatically cooks on power level "10" (high power) unless it is set for a lower power level.
- To check power level during cooking, touch POWER LEVEL pad. The selected power level will appear in the display window for 5 seconds. The oven will continue to operate. After 5 seconds the remaining time will be displayed.

<u>POWER LEVEL</u>	<u>% OF POWER OUTPUT</u>	<u>APPROXIMATE WATTAGE</u>
10	(100%)	700
9	(90%)	630
8	(80%)	560
7	(70%)	490
6	(60%)	420
5	(50%)	350
4	(40%)	280
3	(30%)	210
2	(20%)	140
1	(10%)	70
0	MINUTE TIMER	0

➤ TIMER

- Use to set cooking time.
- Allows you to set up to 99 minutes and 99 seconds

➤ CLOCK

- Use to set the time of day or recall the time of day.
- The time of day will be displayed at all times except when the oven is operating.
- In the event of a power failure or if the oven is unplugged, the clock will have to be reset.

➤ CANCEL

- Touch to cancel the selected power level, cook or defrost times previously programmed. The time of day clock is not cancelled.

➤ START

- Touch to start the defrost or cook programs.
 - The cook indicator light and the oven light will come on and the cooling fan will operate.
- NOTE: END OF OPERATION- Timer returns to "0"**
- Three beeps will sound, the cook indicator light will go out and the time of day will return to the display window. The oven light and cooking fan will turn off.
 - The oven will automatically continue to sound three beeps every two minutes until the oven door is opened or the CLEAR pad is touched.
- NOTE: TO INTERRUPT OPERATION –Open the oven door.**
- The oven immediately stops, however, the light will remain on.
 - If no further cooking is required, touch the CANCEL pad.
 - To continue cooking, close the oven door and touch the START pad. The oven will restart.

➤ **TIME DEFROST**

- Use to defrost frozen foods by time.
- This cycle starts at medium – high power, then automatically reduces to medium – low and then to low as the food thaws.
- TIME DEFROST indicator light and cook indicator light will both come on during the defrost cycle.

AUTO WEIGHT DEFROST

- Use to defrost frozen meat, poultry and seafood by weight.
- The defrosting time and power levels are automatically set once the food category and the weight are programmed.

NOTE: The maximum allowable weight for each category is shown below.

AUTO WEIGHT DEFROST PROGRAM	FOOD CATEGORY	MAXIMUM WEIGHT	DISPLAY
1	Meat	5 lbs	D1
2	Poultry	8.8 lbs	D2
3	Seafood	2 lbs	D3

- For foods exceeding these maximum weights, use the TIME DEFROST program.
- If you program weights in excess of the maximum recommended, the oven will not operate properly.

➤ **EXPRESS COOK**

- Use this feature to program the oven for 4 popular microwave timings.
- With each touch of the EXPRESS key you can program the oven for:
 - 15 seconds - TOUCH ONCE
 - 30 seconds - TOUCH TWICE
 - 1 minute - TOUCH THREE TIMES
 - 2 minutes - TOUCH FOUR TIMES
- The oven will operate at full power for EXPRESS PROGRAMS.

➤ **PRE-SET**

- Use to set the oven to come on at a later time.
- The clock must be set before the pre-set function can be programmed.
- The Pre-set indicator blinks while the oven is in the PRE-SET position.

➤ **MEMORY**

- When programming the oven to cook by time, use the MEMORY PAD when setting both a 1st and 2nd cooking stage.
- The respective lights will come on to indicate which stage the oven is operating in.

SPECIAL OVEN FEATURES

➤ **MINUTE TIMER**

Use for timing things done outside the oven. Three beeps will sound at the end of the elapsed time. The oven light and cooling fan will come on while the timer is operating but there are no microwaves present.

➤ **AUTO TIMER**

After a DEFROST or COOK PROGRAM has completed, the oven will automatically continue to sound three beeps every two minutes until the oven door is opened or the clear pad is touched.

➤ **CHILD PROOF LOCK**

Use to prevent unsupervised operation of the oven by small children. The CHILD PROOF LOCK indicator will be lit on the display and the oven cannot be operated while the CHILD PROOF LOCK is set.

HOW TO SET THE OVEN CONTROLS

Each time a pad is touched, a beep will sound to verify the touch.

➤ Setting the Clock

Example: 3 o'clock 45 minutes

1. Touch CLOCK pad
2. Touch CANCEL pad
3. Touch numeral pads 3 4 5
4. Touch CLOCK pad again

The two dots between the hour and the minutes will flash every other second.

Note: When the oven was plugged in, "1:01" should have appeared in the display window. To reset the time of day repeat the steps given above. To check the time of day while the oven is operating, touch the CLOCK pad and the time will be displayed for 5 seconds.

➤ Time and Power Level Cooking

Example: Set the oven to cook for 1 minute at power level 6.

1. Touch TIME pad
Touch numeral pads 1 0 0
2. Touch POWER LEVEL pad
Touch numeral pad 6
3. Touch START pad

Note: Step 2 is not necessary for cooking at power level 10 (High Power)

➤ Pre-Set

Example: Set the oven to come on at 2:00 o'clock

1. Touch PRE-SET pad
2. Touch numeral pads 2 0 0
3. Set the cooking programs
4. Touch START pad and the oven will start cooking at 2:00

Note: Be sure the time of day clock is set at the correct time before programming PRE-SET.

➤ Express cook

Example: Set the oven to cook for 1:00 at HIGH power using the EXPRESS COOK feature

1. Touch the EXPRESS COOK pad 3 times.
1:00 appears in the display
2. Touch START pad

NOTE: Touch EXPRESS COOK pad:

- 1 time for 15 seconds
- 2 times for 30 seconds
- 3 times for 1:00 minute
- 4 times for 2:00 minutes

➤ Time Defrost

Example: Set the oven to TIME DEFROST for 5 minutes and 30 seconds.

1. Touch TIME DEFROST pad
2. Touch numeral pads 5 3 0
3. Touch START pad

- Use TIME DEFROST to defrost foods that are not included in the AUTO WEIGHT DEFROST categories, or when the weight exceeds the maximum recommendations for AUTO WEIGHT DEFROST.

➤ **Auto Weight Defrost**

Example: Set the oven to AUTO WEIGHT DEFROST 600lbs shrimp.

1. Touch AUTO WEIGHT DEFROST pad 3 times "d3"
2. Touch numeral pads 6 0 0.
3. Touch START pad.

Note 1: See page 13 for Maximum Weight and Category program

Note 2: The oven will beep twice during the weight defrost program. This will take place at approximately on third and two thirds into the program. Foods should be attended at this time. Rearrange, shield, turn over or remove any pieces that may be defrosting more quickly than others.

➤ **Program Cooking**

The oven has the ability to be programmed to do several consecutive functions that are given in the SPECIFICATION TABLE, and either the complete program or part of it can be used.

Remember:

Always touch the "CANCEL" pad before programming.

➤ **Time Cooking Program**

1. Touch CANCEL pad.
2. Repeat the TIME DEFROST instructions.
3. Repeat the TIME and POWER LEVEL instructions.
4. Touch MEMORY pad.
5. Repeat the TIME and POWER LEVEL instructions again.
6. Touch start pad.

Remember: TIME DEFROST and AUTO WEIGHT DEFROST can only be selected before the cooking stage in a program. It can not be selected between or after stage 1 or stage 2.

➤ **Child Proof Lock**

To set the CHILD PROOF LOCK

1. Touch CANCEL pad
2. Touch pads 5 and 7 at the same time.

A beep will sound and the child proof indicator will light. You can not operate the oven while the CHILD PROOF LOCK is set.

To release the CHILD PROOF LOCK

1. Touch pads 5 and 7 at the same time.

A beep will sound and the child proof indicator will go out.

NOTE: Remember the oven can not be operated when the CHILD PROOF LOCK is set. If the oven will not operate, before calling for service check to see if the CHILD PROOF LOCK indicator is lit on the display.

➤ **Minute Timer**

1. Touch TIMER pad
2. Touch numeral-pads to set the desired items.
3. Touch POWER LEVEL pad
4. Touch numeral pad 0
5. Touch START pad

PROBLEMS WITH YOUR APPLIANCE?

You can solve many common appliance problems easily, saving you the cost of a possible service call. Try the suggestions below to see if you can solve the problem before calling the servicer.

TROUBLESHOOTING GUIDE

PROBLEM	POSSIBLE CAUSE
Appliance does not operate.	Not plugged in. The circuit breaker tripped or blown fuse. The door is not closed properly.
The light does not work.	The home circuit breaker or fuse has tripped. The appliance is unplugged.
Vibrations.	Check to assure that the appliance is level.

SERVICE FOR YOUR APPLIANCE

We are proud of our customer service organization and the network of professional service technicians that provide service on your Avanti appliances. With the purchase of your Avanti appliance, you can have the confidence that if you ever need additional information or assistance, the Avanti Products Customer Service team will be here for you. Just call us toll-free.

AVANTI PRODUCTS CUSTOMER SERVICES

Product Information 800-323-5029	Whatever your questions are about our products, help is available.
Part Orders 800-220-5570	You may order parts and accessories that will be delivered directly to your home. You may order these items by personal check, money order, Master Card, or Visa.
In-Home Repair Service 800-220-5570	An Avanti Products authorized service center will provide expert repair service, scheduled at a time that is convenient for you. Our trained servicers know your appliance inside and out.

YOUR Avanti Products WARRANTY

Staple your sales receipt here. Proof of original purchase date is needed to obtain service under warranty.

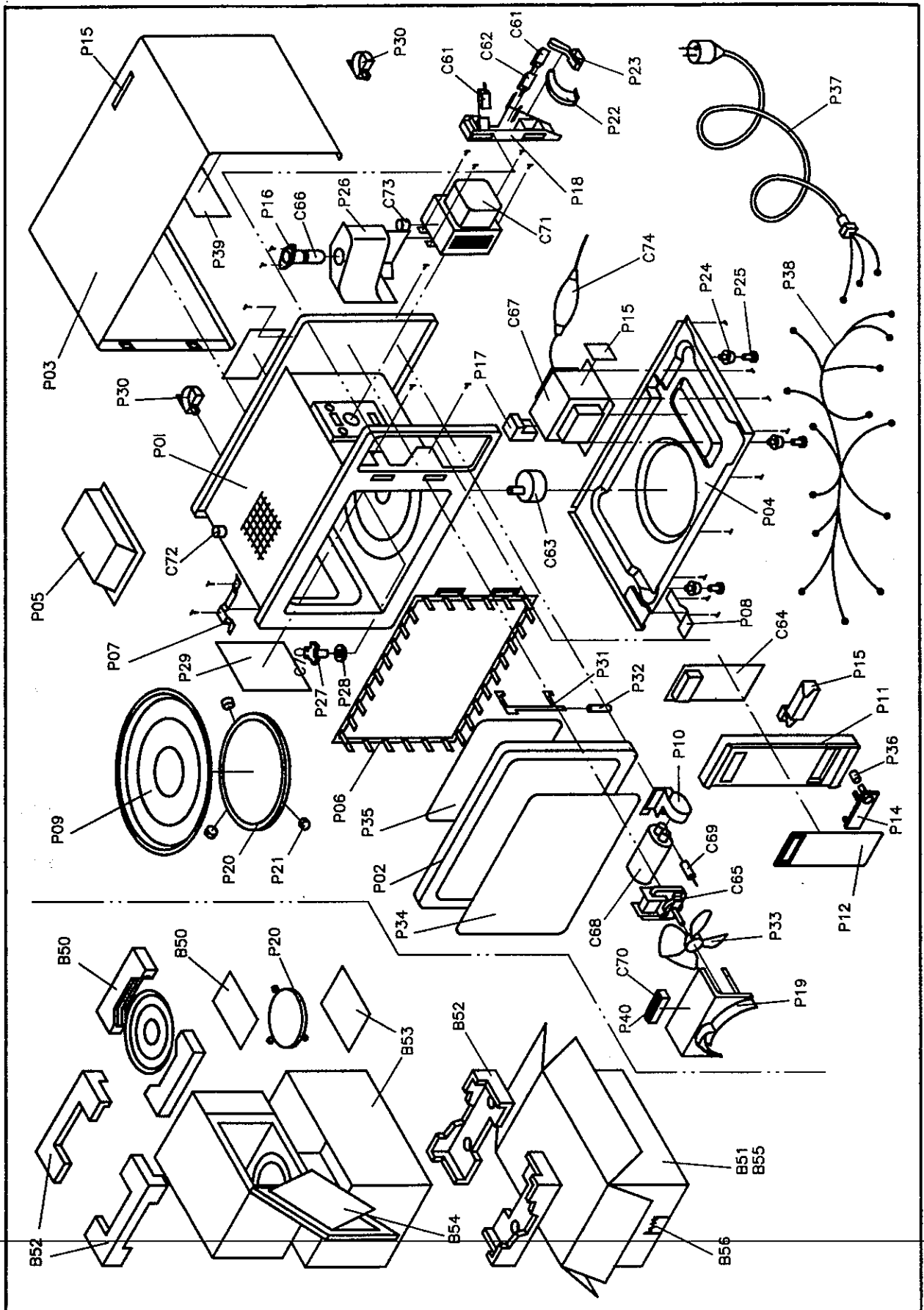
WHAT IS COVERED
LIMITED ONE-YEAR
WARRANTY

For one year from the date of purchase by the original owner, Avanti Products will, at its option, repair or replace any part of the appliance which proves to be defective in material or workmanship under normal use. During this period Avanti Products will provide all parts and labor necessary to correct such defects free of charge, so long as the appliance has been installed and operated in accordance with the written instructions in this manual. In rental or commercial use, the warranty period is 90 days.

WHAT IS NOT COVERED

- Incidental or consequential damages.
- Parts and labor costs for the following will not be considered as warranty:
 - Door springs, and/or frames.
 - Inner door panels, and/or door supports.
 - Light bulbs and/or plastic housing.
 - Repairs performed by unauthorized servicers.
 - Service calls that do not involve defects in material or workmanship such as customer education, or proper installation.
- Service calls that are related to external problems, such as abuse, misuse, inadequate electrical power, accidents, fire, floods, or acts of God.
- Replacement of house fuses or resetting circuit breakers.
- Failure of the product if it is used for other than its intended purpose.
- This warranty does not apply outside the Continental USA.

PARTS BREAKDOWN

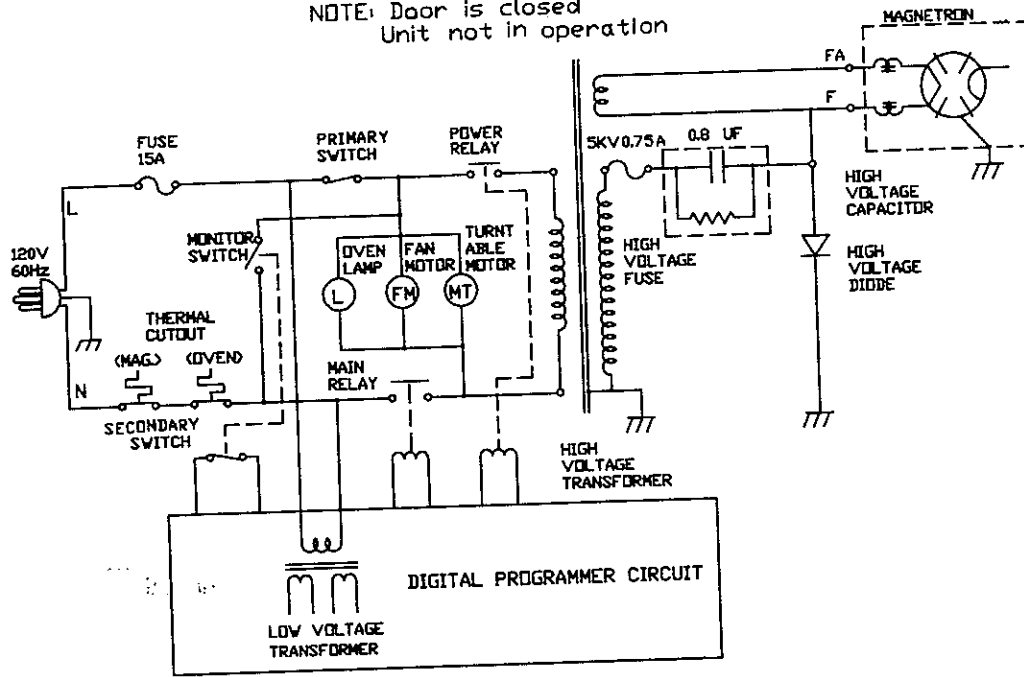


PARTS LIST

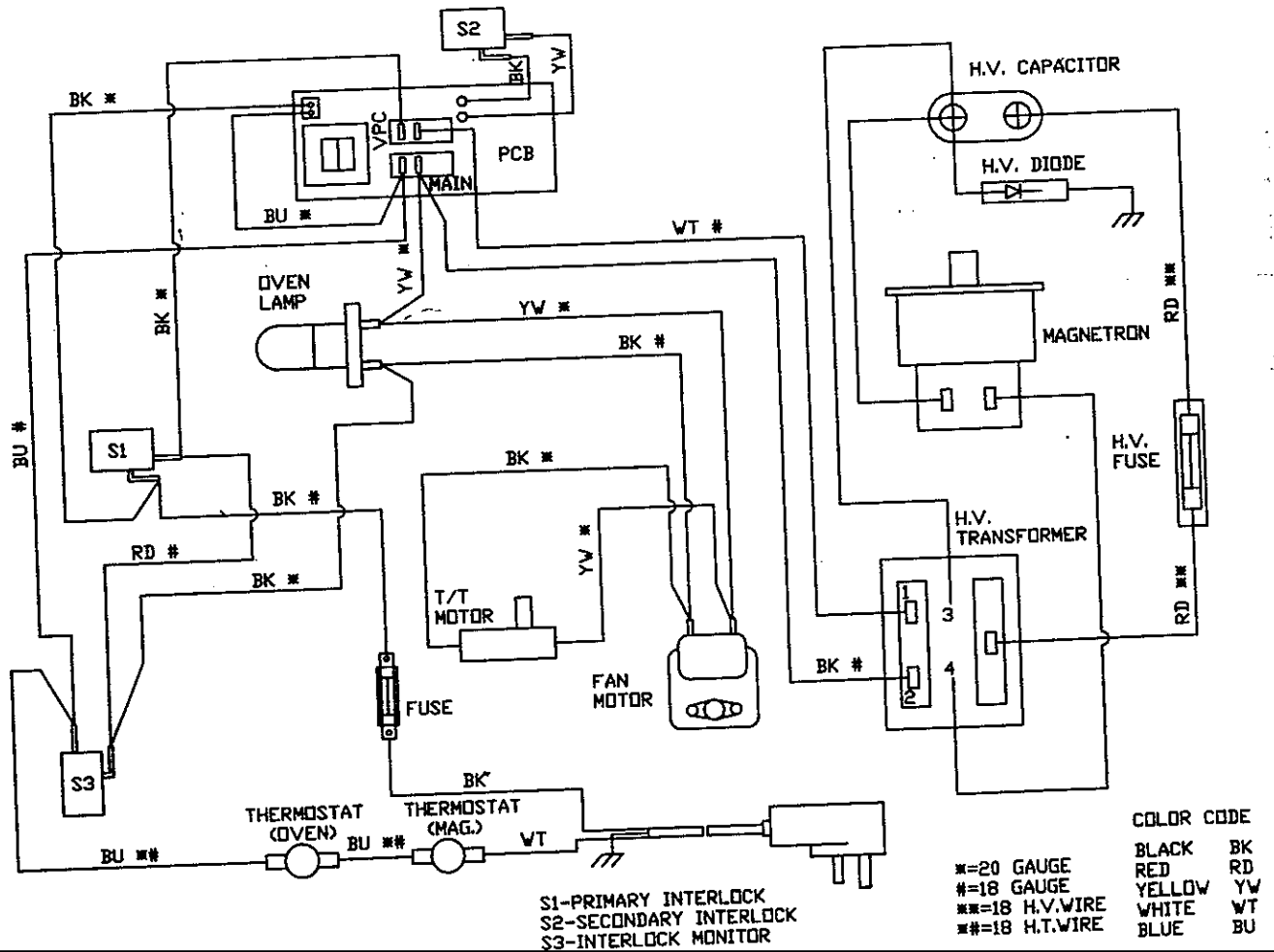
PART NO	PART NAME	Q' TY	PART NO	PART NAME	Q' TY
P01	Oven Cavity	1	P33	Fan Blade	1
P02	Door	1	P34	Outer Viewing Barrier	1
P03	Outer Enclosure	1	P35	Inner Viewing Barrier	1
P04	Base Enclosure	1	P36	Button Spring	1
P05	Air Guide	1	P37	Power Supply Cord	1
P06	Plastic Cover	1	P38	Wire Harness	1 set
P07	Upper Hinge	1	P39	Insulating Film	1
P08	Lower Hinge	1	P40	Fuse Holder	1
P09	Turntable	1			
P10	Capacitor Holder	1	B50	Owner s Manual	1
P11	Control Panel	1	B51	Carton	1
P12	Touch Keyboard	2	B52	Foam Cushion	6
P13	Door Release Level	1	B53	Plastic Bag	2
P14	Door Opening Button	1	B54	Plastic Film	1
P15	Label	10	B55	Wrapping Nail	12
P16	Lamp Bracket	1	B56	Tape	2
P17	Shock-Proof Rubber	1			
P18	Microswitch Mounting Bracket	1			
P19	Fan Holder	1	C61	Microswitch (P, S)	2
P20	Roller Ring	1	C62	Microswitch (M)	1
P21	Ring Wheels	3	C63	Turntable	1
P22	Inner Rotary Arm	1	C64	PC Board	1
P23	Outer Rotary Arm	1	C65	Fan Motor	1
P24	Foot	4	C66	Oven Lamp	1
P25	Foot Pin	4	C67	Transformer	1
P26	Air Duct	1	C68	H.V Capacitor	1
P27	Turntable Gear	1	C69	H.V Diode	1
P28	Washer	1	C70	Fuse	1
P29	Mica Sheet	1	C71	Magnetron	1
P30	Power Supply Cord Holder	2	C72	Thermostat KSD105	1
P31	Latch	1	C73	Thermostat KSD180	1
P32	Latch Spring	1	C74	H.V Fuse	1

SCHEMATIC DIAGRAM

NOTE: Door is closed
Unit not in operation



MO629T (UL CIRCUIT)



MO629T (WIRING DIAGRAM)