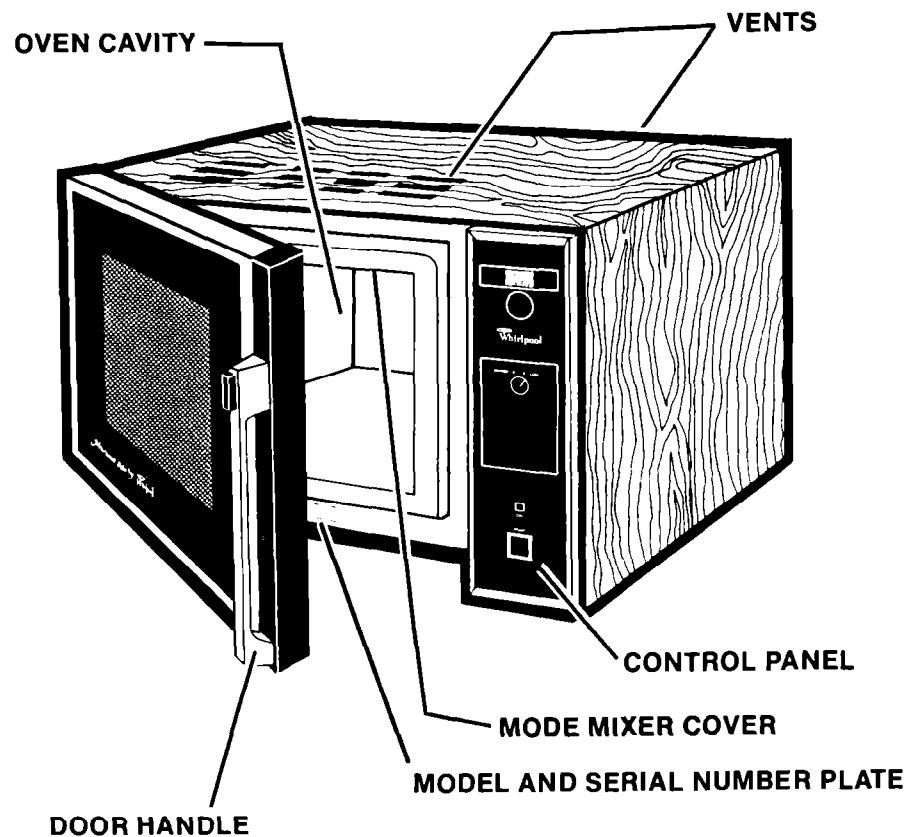

Whirlpool
CORPORATION
MICROWAVE OVEN
USE and CARE
GUIDE

MODEL RJM 7100



SAFETY PRECAUTIONS TO AVOID POSSIBLE EXPOSURE TO EXCESSIVE MICROWAVE ENERGY

- Do not attempt to operate this oven with the door open since open-door operation can result in harmful exposure to microwave energy. It is important not to defeat or tamper with the safety interlocks.
- Do not place any object between the oven front face and the door or allow soil or cleaner residue to accumulate on sealing surfaces.
- Do not operate the oven if it is damaged. It is particularly important that the oven door close properly and that there is no damage to the: (1) Door (bent), (2) hinges and latches (broken or loosened), (3) door seals and sealing surfaces.
- The oven should not be adjusted or repaired by anyone except properly qualified service personnel.
- The oven should be checked for microwave leakage by qualified personnel after a repair is made.
- Do not operate the oven if the door glass is broken.
- Do not operate the microwave oven with the outer cabinet removed.

• Do not attempt to cook eggs in the shell in the microwave oven. Steam build-up within the egg will cause it to burst. Damage to the oven or injury to the user may result.

Before You Use Your Microwave Oven

Whirlpool Microwave Ovens are built to last. It is up to you to make sure your microwave oven is properly installed, used and maintained. You have to be sure that your Whirlpool Microwave Oven is . . .

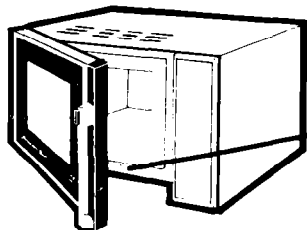
- installed according to installation instructions.
- installed where it is protected from the weather.
- installed on a counter, cart or shelf strong enough for its weight.
- connected to an electrical circuit according to the installation instructions.
- grounded according to the installation instructions.
- used only for the job expected of a home microwave oven.
- not used by children or others who might not understand how to use it properly.
- kept clean and in good repair.
- serviced or repaired only by qualified service technicians.

Introduction	3
Safety Precautions	2
Before You Use Your Microwave Oven	2
Installation Instructions	4
How a Microwave Oven Works	4
How to Use Your Microwave Oven	5
To start the microwave oven	6
To set the MEALTIMER*	7
To set the Cook Selector	8
Tips on Microwave Oven Use	
Do's, Don'ts and Hints	8-9
Replacing the Oven Light Bulb	10
Care and Cleaning	10
Service	
Before You Call for Service	11
If You Need Service	11

*Tmk.

... please read this guide all the way through. Save it for future use when you may wish to look up some helpful fact or suggestion.

... is a good time to fill in the spaces below. You will need this information if you call for service or to ask questions about your microwave oven. Model and serial numbers are located behind the door of the microwave oven, as illustrated. Be sure to record all letters and numbers.



MODEL AND SERIAL NUMBER PLATE

MODEL NO. _____

SERIAL NO. _____

PURCHASE DATE _____

SERVICE COMPANY TELEPHONE NO. _____

Installation instructions

First: Take everything out of the oven. Wipe out the inside with a damp cloth.

Second: Put the microwave oven on a counter, cart, table or shelf which has enough strength to hold it. For ventilation, leave two inches between the back of the oven and the wall. **Do not block the vents on top.** They are needed for air flow and even cooking.

This oven can be built into a wall or cabinet. Kits RCK703 and RCK707 are available from your dealer for recessed installation. It can also be installed, with those kits, above Whirlpool RDE, REE, RGE, RB and SB series single ovens, or Imperial 7200 single gas ovens. Follow the manufacturer's installation instructions. The RCK710, RCK711, and RCK713 kits can be used for surface mounting on a wall. The MICRO SHELF* Hood, Model RJH3330, is available for mounting the microwave oven above a range or cooktop.

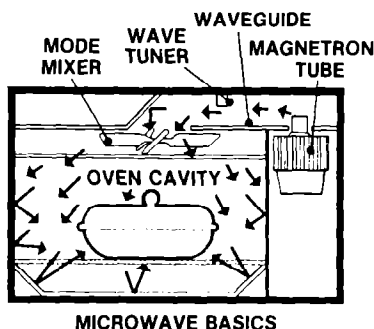
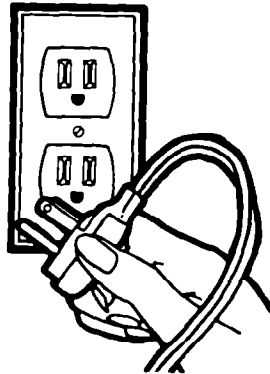
Third: For your safety, this oven must be grounded. Its cord has the 3-prong grounding plug. **DO NOT CUT THE ROUND GROUNDING PRONG FROM THE PLUG.** If the wall receptacle doesn't have the right plug-in, or if the plug-in isn't grounded according to the National Electrical Code and local codes or ordinances, you must have a qualified electrician put in the right outlet.

Fourth: The outlet must supply 120 volts, 60 Hz., A.C. The microwave oven will use about 1450 watts when it is operating, so no other major household appliance should share the circuit.

Fifth: Fill a glass container with about one cup (250 mL) of cold water and put it in the oven. Set Cook Selector to COOK and turn the oven on for 1½ minutes (see page 8). When the time is up, the water should be heated.

Sixth: If the microwave oven has been stored in a cool room, the fan may run slower than usual until the oven warms up to room temperature.

*Tmk.

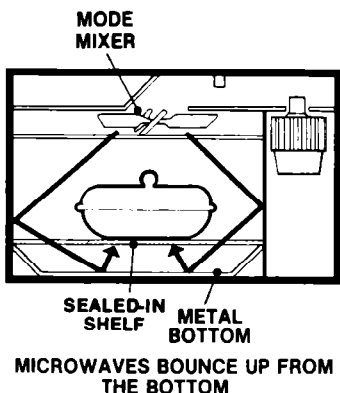


Microwaves are like radio waves or radar waves. They will **pass through** glass, plastic, paper and most other types of containers that are not metal. Microwaves **bounce off** metal and are absorbed by food. When food absorbs microwaves, heat is created because water molecules in the food are disturbed and bounce around colliding with each other. Heat is created by this bouncing and colliding . . . like when you warm your hands by rubbing them together.

When all safety systems are secure (door shut completely and the START button pushed), electric current is allowed to reach the **magnetron tube**. The magnetron tube uses electricity to create microwaves. They pass through a metal tunnel called the **waveguide**, past the **wave tuner**, into the oven cavity.

Just at the point where the microwaves are about to go into the oven cavity, Whirlpool Microwave Ovens use a **mode mixer** (a slow-moving metal fan) to scatter them. If all the microwaves went in the same direction, they'd all bounce in the same direction, like water from a hose. Some parts of the food wouldn't be touched. The mode mixer works like a sprinkler to spread microwaves all around.

How a Microwave Oven Works (cont'd)



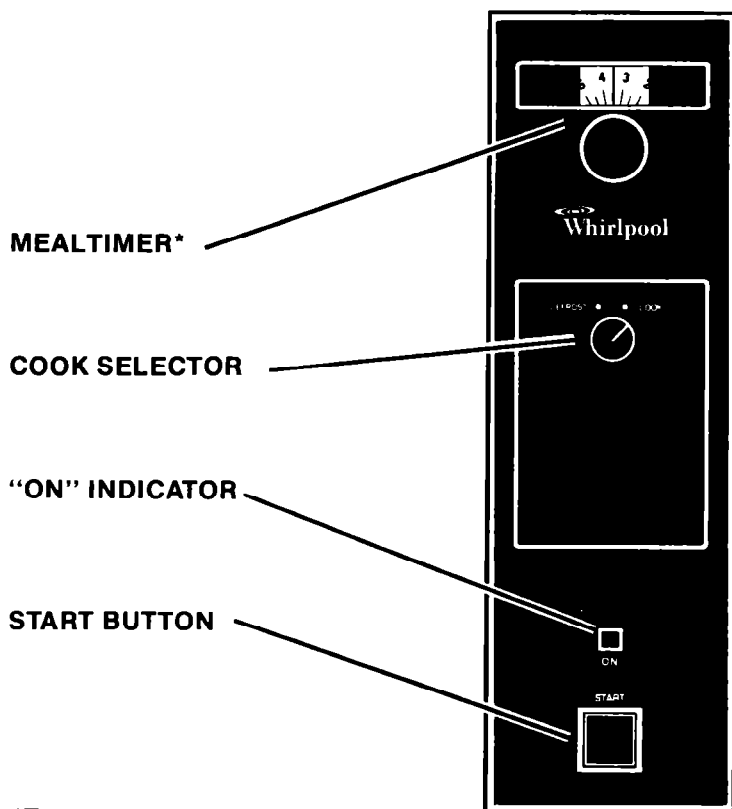
The walls, top and bottom of the oven cavity are metal. Microwaves will bounce around inside the oven until they are absorbed by food.

The food container rests on a sealed-in shelf above the metal bottom of the oven cavity. Because the food is above the metal bottom, microwaves can get under it, through the shelf, to bounce up from the bottom into the food.

The screen in the door is designed to keep microwaves in the oven, yet allow you to see inside.

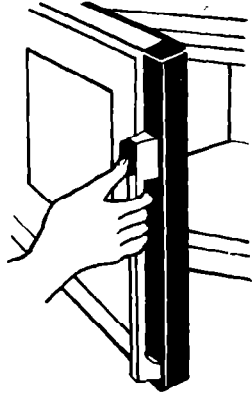
There are three safety interlock switches designed to make sure that the microwave oven will not operate unless the door is closed and the microwaves are sealed inside. **Do not tamper with any of these interlock switches.**

How to Use Your Microwave Oven



*Tmk.

To Start Your Microwave Oven



1. Push in button on door handle and open the door.
2. Place the food in the oven and close the door. Door will automatically latch.
3. Set the MEALTIMER* to the desired cooking time.
4. Turn the COOK SELECTOR to either Cook or Defrost setting. Your recipe may use the word "HIGH" instead of "COOK."
5. Push the START button. The "ON" indicator will glow and the light in the oven will come on.
6. At the end of the cooking time a bell will ring and the microwave oven will automatically turn off.

*Tmk.

To Stop the Oven

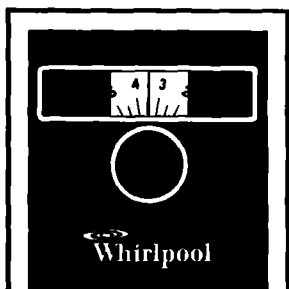
1. Turn the timer to "0."
 2. Push in button on door handle and open door.
-

To Restart the Oven

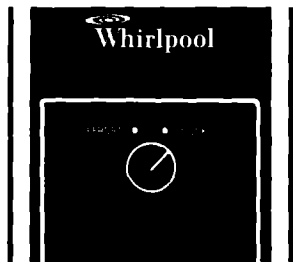
1. Close the oven door.
 2. Set MEALTIMER* to desired cooking time.
 3. Push the START button.
-

*Setting the MEALTIMER**

Turn the knob on the MEALTIMER* until desired cooking time lines up with the marker in the timer window.



*Tmk.



Cook Selector

Set dial of Cook Selector to COOK setting for normal cooking of most foods.

To defrost most foods, set the Cook Selector to DEFROST setting. The Defrost Guide at the top of the door lists some foods with suggested defrosting times. Refer to the MICRO MENUS* Cookbook for more information on defrosting. Some standing time is usually necessary for complete thawing of foods before cooking.

*Tmk.

Some Do's, Don'ts, and Hints

DO:

- ▶ Plug the microwave oven into a separate 15 ampere circuit. Use only an electrically grounded 3-pronged wall outlet.
- ▶ Remove metal ties from plastic bags before placing them in the oven to avoid arcing and possible oven damage. Check carryout food containers for metal before reheating foods in them.
- ▶ Use your microwave oven only for cooking, reheating and defrosting.
- ▶ Slice whole eggs before reheating to avoid a steam buildup and possible bursting.
- ▶ For cooking times longer than four minutes, avoid using paper containers and be careful of the plastics you use. (Some plastics may get hot and melt.)
- ▶ Follow recipe instructions to stir, turn or add foods between cooking cycles to avoid possible damage to the utensil or oven.

DO NOT:

- Your microwave oven uses 1450 watts at full power. It can't share an outlet with another operating appliance.
- Be careful that food or utensils do not push against the plastic mode mixer cover. Don't remove the cover.
- Harsh abrasives may scratch the oven finish.
- Don't use dishes or utensils with metal trim, staples, closures or liners.

Metals should not be used in the oven unless especially directed in the MICRO MENUS* Cookbook.

Always have food in the microwave oven before operating it to avoid possible damage to the oven.

Store **nothing** in the microwave oven.

Scorched or burned foods are overcooked. Continued cooking can only burn them further and may cause them to flame . . . especially potatoes, corn-on-the-cob and snacks.

Don't operate oven by holding start button in.

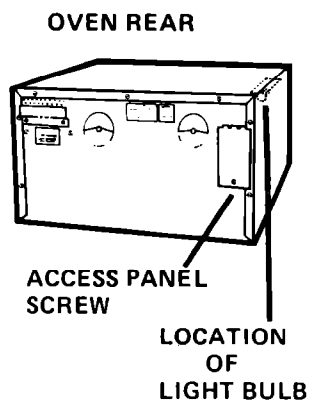
*Tmk.

SOME DO'S, DON'TS, AND HINTS (cont'd)

HINTS:

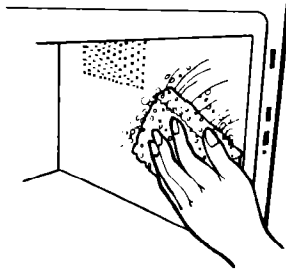
1. Most of the oven's weight is on one side (the side with the controls) and it may be awkward to move.
2. INDICATORS may flicker when the microwave oven is on. This is normal.
3. If your line voltage is low (less than 120 volts), heating and cooking times may have to be longer.
4. When using recipes other than those from the **MICRO MENUS* Cookbook**, you may have to experiment with cooking times. Cook foods according to the times and quantities given in the Whirlpool cookbook. As in conventional cooking, over-cooking can burn food and may flame. Shorten cooking time for smaller quantities.
5. Popcorn should be made only in a popper designed for microwave use. Follow instructions received with the popper. The results are the responsibility of the popcorn popper manufacturer.
6. Liquids heated in certain containers may overheat and flash into vapor. Water can splash out of the container and make a loud noise. This is not dangerous and will not harm the oven. You may wish to avoid using such containers for heating liquids again.
7. **DO NOT OVERCOOK POTATOES.** At the end of the recommended cooking time, the potatoes should be slightly firm. Wrap potatoes in foil and set aside for five minutes. Potatoes will finish cooking while standing. Some potato varieties may cook faster than others. Overcooking may result in poor flavor and texture and potatoes may scorch or flame.
8. Do not store utensils in the oven.
9. Use hot pads . . . some utensils can be hot.
10. Do not block the vents. Normal exhaust from cooking is vented out the top and back. Depending on the food, exhaust may be hot.
11. The inner door liner may appear wavy after the microwave oven has been operated for a long time. This is normal.

*Tmk.



How to Replace Oven Light Bulb

1. Unplug the oven power cord.
2. Remove screw and access panel shown in illustration.
3. Replace bulb with a 40 watt appliance bulb only. (Bulb can be seen with the access panel removed.)
4. Replace the access panel. The panel has tabs at the top. Insert the tabs in the top of the opening (behind the enclosure) to hold the panel in place.
5. Replace the screw.



Cleaning Your Microwave Oven

Your microwave oven is designed for easy cleaning. Most soils require only wiping with warm sudsy water. For cooked-on or other stubborn soils, boil a cup of water (250 mL) in the oven for 2 or 3 minutes. The steam will condense and soften the soils. They should be less stubborn after this treatment.

Do not operate the microwave oven with soil or any other objects between the door and the oven frame.

Do not use abrasive cleansers or scouring pads to clean the microwave oven interior or inside of the door.

If you need service or help, we suggest you follow these three steps:

1. Before calling for service . . .

Performance problems are sometimes caused by little things you can correct without tools. Before you call for service, check this list.

A. If the oven light won't turn on at all:

- Is the unit plugged into the outlet firmly?
- Have you checked to be sure a fuse or circuit breaker is not open?

B. If microwave power won't come on:

- Are all the controls set properly?
- Do not hold the START button in.
- Have you pressed the START button?
- Is the door firmly closed?

C. If the cooking times seem too long:

- Is the line voltage to your home low or lower than normal? The public utility in your area may be able to tell you if the voltage is low.
- Are you allowing more cooking time when you increase the quantity (or number) of food being cooked in the microwave oven?

*Tmk.

2. If you need service . . .

Whirlpool Franchised TECH-CARE® Service



It's reassuring to know that Whirlpool stands behind your new appliance with its network of franchised TECH-CARE® service companies. TECH-CARE service is designed to fulfill your warranty and provide the after-warranty service and maintenance to keep your new appliance in top notch condition, anywhere in the United States. Whirlpool wants you to get the service that you would expect on quality home appliances.

If you move . . .

To make sure that your appliance is correctly installed and to insure its continued satisfactory operation, please telephone your nearest TECH-CARE® service company for installation or to get the name of a qualified installer. (Installation cost will, of course, be paid by you.)

Or, If you need service . . .

1. Call the dealer from whom you purchased the appliance or a Whirlpool franchised TECH-CARE service company. He is in the Yellow Pages of your telephone directory listed under Refrigerators and Freezers — Repairing or Servicing. (Also under Washers, Dryers — Repairing or Servicing.)

2. Should you not find a listing, dial free, the Whirlpool COOL-LINE® service assistance telephone number (800) 253-1301. When calling from:

Michigan Dial (800) 632-2243

Alaska & Hawaii Dial (800) 253-1121

3. If you have a problem . . .

Call Whirlpool Corporation in Benton Harbor at the COOL-LINE service assistance telephone number (see step 2) or write:

Mr. Guy Turner,
Vice President
Whirlpool Corporation
Administrative Center
2000 U.S. 33, North
Benton Harbor, Michigan 49022



Quality. Our way of life.

Benton Harbor, Michigan. Automatic Washers. Clothes Dryers. Freezers. Refrigerator-Freezers. Ice Makers. Dishwashers. Built-in Ovens and Surface Units. Ranges. Microwave Ovens. Compactors. Room Air Conditioners. Dehumidifiers. Central Heating and Air Conditioning Systems.



FSP is a registered trademark of Whirlpool corporation for quality parts. Look for this symbol of quality whenever you need a replacement part for your Whirlpool appliance. FSP replacement parts

will fit right and work right, because they are made to the same exacting specifications used to build every new Whirlpool appliance.

REMEMBER . . . If you must call or write, please provide: your name, address, telephone number, type of appliance, brand, model, serial number, date of purchase, the dealer's name, and a complete description of the problem. This information is needed in order to better respond to your request for assistance.

0203