

Use & Care

G U I D E

Microwave Oven

A Note to You.....	2
Microwave Oven Safety	3
Installation Instructions.....	5
Getting to Know Your Microwave Oven.....	7
How your microwave oven works.....	7
Radio interference.....	7
For the best cooking results	7
Testing your microwave oven	7
Testing your dinnerware or cookware.....	8
Operating tips	8
Electrical connection.....	8
Microwave oven features	9
Control panel features	10
Built-in kits	11
Using OPTIONS.....	11
Setting the clock	12
Using the minute timer	12
Using Your Microwave Oven.....	13
Cooking at high cook power.....	13
Cooking at different cook powers	13
Cooking with more than one cook cycle	14
Auto cooking	15
Auto cooking charts.....	15
Using AUTO DEFROST.....	17
Defrosting tips	17
Using JET START	18
Using Warm Hold option	18
Cooking Guide.....	19
Caring for Your Microwave Oven	20
Questions and Answers	21
Troubleshooting.....	22
Requesting Assistance or Service	23
Warranty	25

1-800-253-1301

Call our Consumer Assistance Center
with questions or comments.



MODEL MT3070SH

3828W5A1141/8171816

www.whirlpool.com

A NOTE TO YOU

Thank you for buying a WHIRLPOOL® appliance.

The Whirlpool Brand is committed to designing quality products that consistently perform for you to make your life easier. To ensure that you enjoy years of trouble-free operation, we developed this Use and Care Guide. It is full of valuable information about how to operate and maintain your appliance properly and safely. Please read it carefully.

Also, complete and mail the **Product Registration Card** provided with your appliance. The card helps us notify you about any new information on your appliance.

Please record your model's information.

Whenever you call to request service for your appliance, you need to know your complete model number and serial number. You can find this information on the model and serial number label/plate (see the diagram in the "Getting to Know" section).

Please also record the purchase date of your appliance and your dealer's name, address, and telephone number.

Model Number _____

Serial Number _____

Purchase Date _____

Dealer Name _____

Dealer Address _____

Dealer Phone _____

Keep this book and the sales slip together in a safe place for future reference. It is important for you to save your sales receipt showing the date of purchase. Proof of purchase will assure you of in-warranty service.

Our Consumer Assistance Center number is toll free.

1-800-253-1301

To find detailed product information, the location of the nearest Whirlpool dealer or designated servicer, to purchase an accessory item, or register your appliance on-line, please visit our Web site at www.whirlpool.com

MICROWAVE OVEN SAFETY

Your safety and the safety of others is very important.

We have provided many important safety messages in this manual and on your appliance. Always read and obey all safety messages.



This is the safety alert symbol.

This symbol alerts you to hazards that can kill or hurt you and others.

All safety messages will be preceded by the safety alert symbol and the word "DANGER" or "WARNING." These words mean:

! DANGER

You will be killed or seriously injured if you don't follow instructions.

! WARNING

You can be killed or seriously injured if you don't follow instructions.

All safety messages will identify the hazard, tell you how to reduce the chance of injury, and tell you what can happen if the instructions are not followed.

IMPORTANT SAFETY INSTRUCTIONS

When using electrical appliances basic safety precautions should be followed, including the following:

WARNING: To reduce the risk of burns, electric shock, fire, injury to persons or exposure to excessive microwave energy:

- Read all instructions before using the microwave oven.
- Read and follow the specific "PRECAUTIONS TO AVOID POSSIBLE EXPOSURE TO EXCESSIVE MICROWAVE ENERGY" found in this section.
- The microwave oven must be grounded. Connect only to properly grounded outlet. See "GROUNDING INSTRUCTIONS" found in the "Installation Instructions" section.
- Install or locate the microwave oven only in accordance with the installation instructions.
- Some products such as whole eggs and sealed containers – for example, closed glass jars – may explode and should not be heated in the microwave oven.
- Use the microwave oven only for its intended use as described in this manual. Do not use corrosive chemicals or vapors in the microwave oven. This type of oven is specifically designed to heat, cook, or dry food. It is not designed for industrial or laboratory use.
- As with any appliance, close supervision is necessary when used by children.
- Do not operate the microwave oven if it has a damaged cord or plug, if it is not working properly, or if it has been damaged or dropped.
- The microwave oven should be serviced only by qualified service personnel. Call an authorized service company for examination, repair or adjustment.
- Do not cover or block any openings on the microwave oven.
- Do not store the microwave oven outdoors. Do not use the microwave oven near water – for example, near a kitchen sink, in a wet basement, or near a swimming pool, and the like.
- Do not immerse cord or plug in water.
- Keep cord away from heated surfaces.
- Do not let cord hang over edge of table or counter.
- See door surface cleaning instructions in the "Caring for Your Microwave Oven" section.

SAVE THESE INSTRUCTIONS

continued on next page

IMPORTANT SAFETY INSTRUCTIONS

- Do not operate any heating or cooking appliance beneath the microwave oven.
- Do not mount microwave oven over or near any portion of a heating or cooking appliance.
- Do not mount over a sink.
- Do not store anything directly on top of the microwave oven surface when the microwave oven is in operation.
- To reduce the risk of fire in the oven cavity:
 - Do not overcook food. Carefully attend the microwave oven if paper, plastic, or other combustible materials are placed inside the oven to facilitate cooking.
 - Remove wire twist-ties from paper or plastic bags before placing bag in oven.
 - If materials inside the oven should ignite, keep oven door closed, turn oven off, and disconnect the power cord, or shut off power at the fuse or circuit breaker panel.
 - Do not use the cavity for storage purposes. Do not leave paper products, cooking utensils, or food in the cavity when not in use.

SAVE THESE INSTRUCTIONS

PRECAUTIONS TO AVOID POSSIBLE EXPOSURE TO EXCESSIVE MICROWAVE ENERGY

- (a)** Do not attempt to operate this oven with the door open since open-door operation can result in harmful exposure to microwave energy. It is important not to defeat or tamper with the safety interlocks.
- (b)** Do not place any object between the oven front face and the door or allow soil or cleaner residue to accumulate on sealing surfaces.
- (c)** Do not operate the oven if it is damaged. It is particularly important that the oven door close properly and that there is no damage to the:
 - (1) door (bent),
 - (2) hinges and latches (broken or loosened),
 - (3) door seals and sealing surfaces.
- (d)** The oven should not be adjusted or repaired by anyone except properly qualified service personnel.

INSTALLATION INSTRUCTIONS

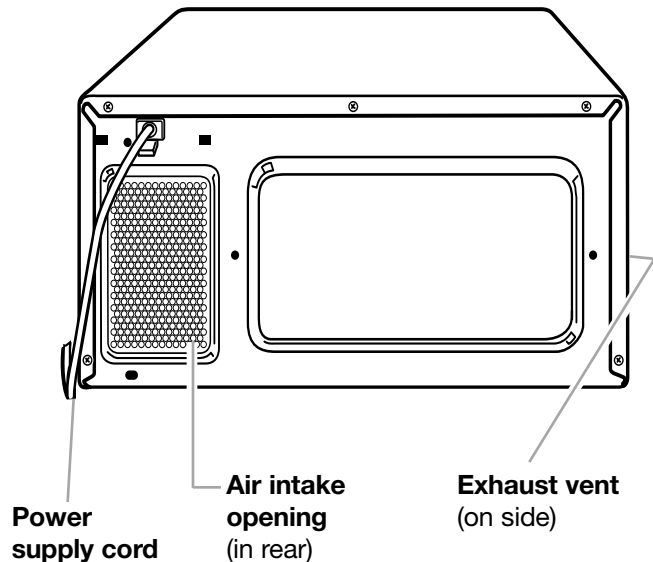
Before you begin operating the oven, carefully read the following instructions.

1. **Empty** the microwave oven and **clean** inside it with a soft, damp cloth. **Check** for damage such as a door that isn't lined up correctly, damage around the door, or dents inside the oven or on the exterior. If there is any damage, do not operate the oven until a designated service technician has checked it and made any needed repairs.

2. **Put** the oven on a cart, counter, table, or shelf that is strong enough to hold the oven and the food and utensils you put in it. **(The control side of the unit is the heavy side. Use care when handling the oven.)** The weight of the oven is about 30 lbs (14 kg). The microwave oven should be at a temperature above 50°F for proper operation.


NOTE: You can build your microwave oven into a wall or cabinet by using one of the trim kits listed in the "Built-in kits" section.

NOTE: Do not block the exhaust vents or air intake openings. Allow a few inches of space at the back and side of the oven where the exhaust vents are located. Blocking the exhaust vents could cause damage to the oven and poor cooking results. Make sure the microwave oven legs are in place to ensure proper airflow. If vents are blocked, a sensitive thermal safety device automatically turns the oven off. The oven should work properly once it has cooled.



ELECTRICAL REQUIREMENTS

Observe all governing codes and ordinances. A 120 Volt, 60 Hz, AC only, 15-amp fused electrical supply is required. (A time-delay fuse is recommended.) It is recommended that a separate circuit serving only this appliance be provided.

⚠ WARNING

Fire Hazard Do not install the oven next to or over a heat source without a UL approved trim kit. Doing so can result in death, fire, or electrical shock.

⚠ WARNING

Electrical Shock Hazard Plug into a grounded 3 prong outlet. Do not remove ground prong. Do not use an adapter. Do not use an extension cord. Failure to follow these instructions can result in death, fire, or electrical shock.

ELECTRICAL REQUIREMENTS (CONT.)

GROUNDING INSTRUCTIONS

- **For all cord connected appliances:**

The microwave oven must be grounded. In the event of an electrical short circuit, grounding reduces the risk of electric shock by providing an escape wire for the electric current. The microwave oven is equipped with a cord having a grounding wire with a grounding plug. The plug must be plugged into an outlet that is properly installed and grounded.

WARNING: Improper use of the grounding can result in a risk of electric shock.

Consult a qualified electrician or serviceman if the grounding instructions are not completely understood, or if doubt exists as to whether the microwave oven is properly grounded.

Do not use an extension cord. If the power supply cord is too short, have a qualified electrician or serviceman install an outlet near the microwave oven.

- **For a permanently connected appliance:**

The microwave oven must be connected to a grounded, metallic, permanent wiring system, or an equipment grounding conductor should be run with the circuit conductors and connected to the equipment grounding terminal or lead on the microwave oven.

SAVE THESE INSTRUCTIONS

GETTING TO KNOW YOUR MICROWAVE OVEN

This section discusses the concepts behind microwave cooking. It also shows you the basics you need to know to operate your microwave oven. Please read this information before you use your oven.

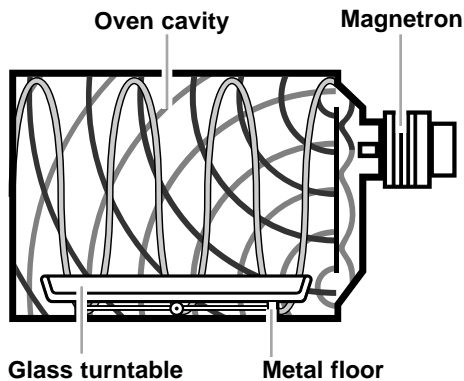
HOW YOUR MICROWAVE OVEN WORKS

Microwave ovens are safe. Microwave energy is not hot. It causes food to make its own heat, and it's this heat that cooks the food.

Microwaves are like TV waves, radio waves, or light waves. You cannot see them, but you can see what they do.

A magnetron in the microwave oven produces microwaves. The microwaves move into the oven where they contact food as it turns on the turntable.

Your oven has a multiple microwave distribution system. Microwave energy is released from two locations, giving you better, more even cooking.



The glass turntable of your microwave oven lets microwaves pass through. Then they bounce off a metal floor, back through the glass turntable, and are absorbed by the food.

Microwaves pass through most glass, paper, and plastics without heating them so food absorbs the energy. Microwaves bounce off metal containers so food does not absorb the energy.

RADIO INTERFERENCE

Using your microwave oven may cause interference to your radio, TV, or similar equipment. When there is interference, you can reduce it or remove it by:

- **Cleaning** the door and sealing surfaces of the oven.
- **Adjusting** the receiving antenna of the radio or television.
- **Moving** the receiver away from the microwave oven.
- **Plugging** the microwave oven into a different outlet so that the microwave oven and receiver are on different branch circuits.

FOR THE BEST COOKING RESULTS

- **Always cook food** for the shortest cooking time recommended. Check to see how the food is cooking. If needed, **press JET START** while the oven is operating or after the cooking cycle is over (see the "Using JET START" section).
- **Stir, turn over, or rearrange** the food being cooked about halfway through the cooking time for all recipes. This will help make sure the food is evenly cooked.
- **If you do not have a cover for a dish**, use wax paper, or microwave-approved paper towels or plastic wrap. Remember to turn back a corner of the plastic wrap to vent steam during cooking.

TESTING YOUR MICROWAVE OVEN

To test the oven put about 1 cup (250 mL) of cold water in a glass container in the oven. Close the door. Make sure it latches. Cook at 100% power for 2 minutes. When the time is up, the water should be heated.

TESTING YOUR DINNERWARE OR COOKWARE

Test dinnerware or cookware before using.

To test a dish for safe use, put it into the oven with a cup (250 mL) of water beside it. Cook at 100% cook power for one minute. **If the dish gets hot and water stays cool, do not use it.** Some dishes (melamine, some ceramic dinnerware, etc.) absorb microwave energy, becoming too hot to handle and slowing cooking times. Cooking in metal containers not designed for microwave use could damage the oven, as could containers with hidden metal (twist-ties, foil lining, staples, metallic glaze or trim).

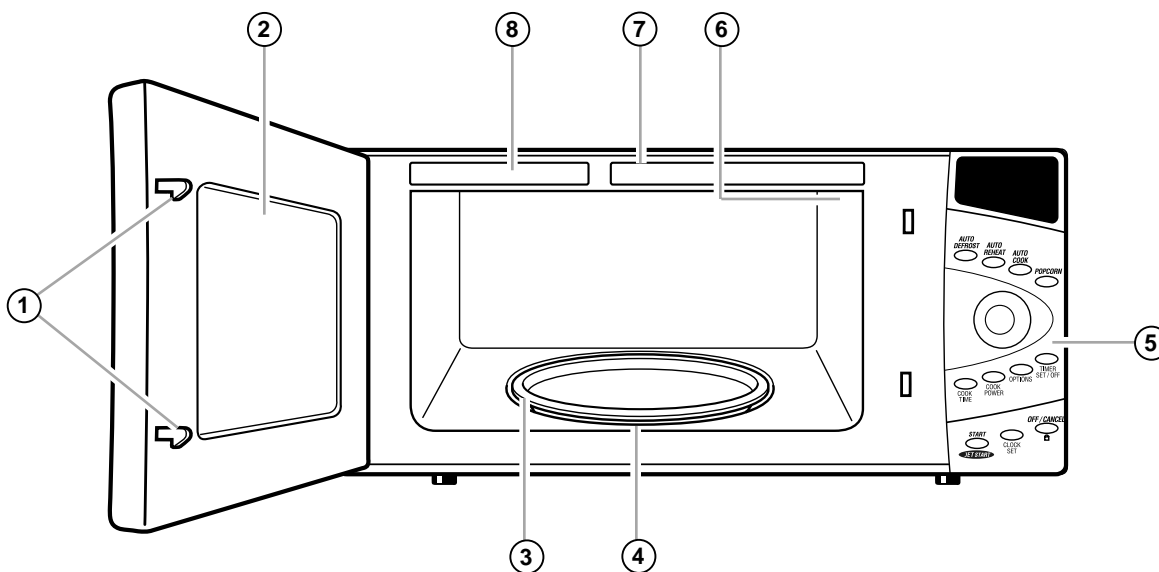
OPERATING TIPS

- **Never** lean on the door or allow a child to swing on it when the door is open.
- **Use hot pads.** Microwave energy does not heat containers, but the heat from the food can make the container hot.
- **Do not** use newspaper or other printed paper in the oven.
- **Do not** dry flowers, fruit, herbs, wood, paper, gourds, or clothes in the oven.
- **Do not** start a microwave oven when it is empty. Product life may be shortened. If you practice programming the oven, **put** a container of water in the oven. It is normal for the oven door to look wavy after the oven has been running for a while.
- **Do not** try to melt paraffin wax in the oven. Paraffin wax will not melt in a microwave oven because it allows microwaves to pass through it.
- **Do not** operate the microwave oven unless the glass turntable is securely in place and can rotate freely. The turntable can rotate in either direction. **Make sure** the turntable is correct-side up in the oven. **Handle your turntable with care** when removing it from the oven to avoid possibly breaking it. If your turntable cracks or breaks, contact your dealer for a replacement.
- **When you use a browning dish,** the browning dish bottom must be at least $\frac{3}{16}$ in (5 mm) above the turntable. Follow the directions supplied with the browning dish.
- **Never cook or reheat a whole egg inside the shell.** Steam buildup in whole eggs may cause them to burst, and possibly damage the oven. **Slice** hard-boiled eggs before heating. In rare cases, poached eggs have been known to explode. **Cover** poached eggs and **allow** a standing time of one minute before cutting into them.
- **For best results, stir any liquid several times during heating or reheating.** Liquids heated in certain containers (especially containers shaped like cylinders) may become overheated. The liquid may splash out with a loud noise during or after heating or when adding ingredients (coffee granules, tea bags, etc.). This can harm the oven.
- **Microwaves** may not reach the center of a roast. The heat spreads to the center from the outer, cooked areas just as in regular oven cooking. This is one of the reasons for letting some foods (for example, roasts or baked potatoes) stand for a while after cooking, or for stirring some foods during the cooking time.
- **Do not deep fry in the oven.** Microwavable utensils are not suitable and it is difficult to maintain appropriate deep-frying temperatures.
- **Do not overcook potatoes.** At the end of the recommended cooking time, potatoes should be slightly firm because they will continue cooking during standing time. **After microwaving, let** potatoes stand for 5 minutes. They will finish cooking while standing.

ELECTRICAL CONNECTION

If your electric power line or outlet voltage is less than 110 volts, cooking times may be longer. Have a qualified electrician check your electrical system.

MICROWAVE OVEN FEATURES



Your microwave oven is designed to make your cooking experience enjoyable and productive. To help get you up and running quickly, the following is a list of the oven's basic features:

- 1. Door Safety Lock System.** The oven will not work unless the door is securely closed.
- 2. Window with Metal Shield.** The shield prevents microwaves from escaping. It is designed as a screen to allow you to view food as it cooks.
- 3. Glass Turntable.** This turntable turns food as it cooks for more even cooking. It must be in the oven during operation for best cooking results. The turntable is sunken into the cavity floor to give you more cooking space and better cooking results.

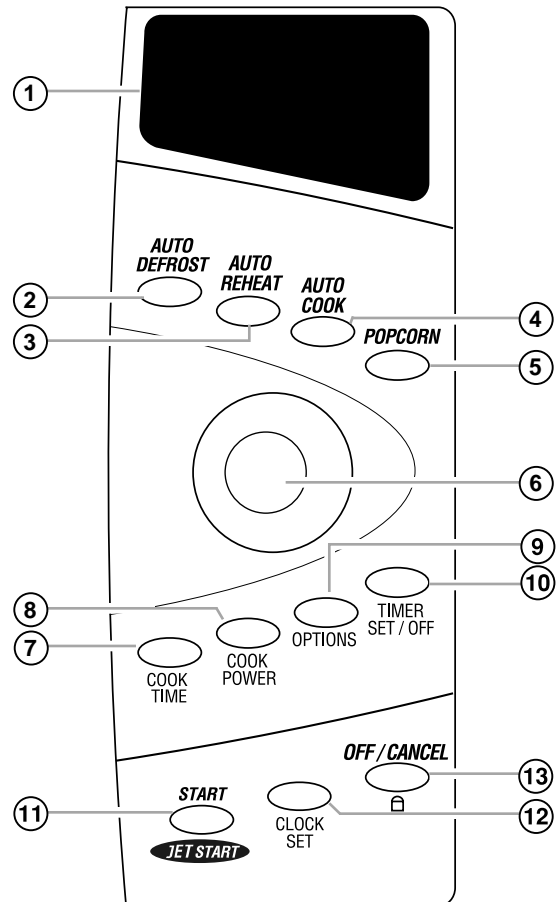
- 4. Removable Turntable Support** (under turntable).
- 5. Control Panel.** Press buttons on this panel to perform all functions.
- 6. Light** (not shown). Automatically turns on when the door is opened or when the oven is running.
- 7. Cooking Guide Label.**
- 8. Model and Serial Number Plate.**

CONTROL PANEL FEATURES

Your microwave oven control panel lets you select a desired cooking function quickly and easily. The following is a list of all the Command buttons located on the control panel.

For more information on these features, see “Using your microwave oven” section.

- 1. Display.** This display includes a clock and indicators to tell you the time of day, cooking time settings, cook powers, quantities, weights, and cooking functions.
- 2. AUTO DEFROST.** Press this button to defrost frozen food by weight.
- 3. AUTO REHEAT.** Press this button to reheat from a variety of food categories available.
- 4. AUTO COOK.** Press this button to cook from a variety of food categories available.
- 5. POPCORN.** Press this button 1 to 3 times to pop a bag of popcorn in any of three sizes.
- 6. Dial.** Use the dial to select from menu and to set cook time or cook power.
- 7. COOK TIME.** Press this button and turn dial to set a cooking time.
- 8. COOK POWER.** Press this button and turn dial to set the amount of microwave energy released to cook the food. The higher the number, the higher the power wattage and the faster the “cooking speed.”
- 9. OPTIONS.** Press this button and turn dial to select Warm Hold, to change weight measurement from lbs to kilograms, or to turn off tones.
- 10. TIMER SET / OFF.** Press this button to set or cancel the timer function.
- 11. START/JET START.** Press this button to start a function you have set or to cook food for 30 seconds at 100% cook power.
- 12. CLOCK SET.** Press this button to enter the correct time of day.
- 13. OFF / CANCEL.** Press this button once to clear an incorrect command or to cancel a program during cooking. This button will not erase the time of day.



Audible signals

Your microwave oven comes with audible signals that can guide you when setting and using your oven:

- A programming tone will sound each time you press a button.
- Three tones signal the end of a cooking cycle and five tones signal the end of the timer function.

NOTE: The tones on your oven can be turned off. To do so, see “Using OPTIONS.”

CONTROL PANEL FEATURES (CONT.)

Interrupting cooking

You can stop the oven during a cycle by opening the door. The oven stops heating and the fan stops, but the light stays on. To restart cooking, close the door and **Press START.**

If you do not want to continue cooking:

- Close the door and the light goes off.

OR

- **Press OFF / CANCEL.**

NOTE: Before setting a function, **press OFF / CANCEL** to make sure no other function is on.

Using the child lock

The Child Lock locks the control panel so children cannot use the microwave when you do not want them to.

To lock the control panel:

Press and hold OFF / CANCEL until “LOC” appears on display (approximately 4 seconds). (One tone will sound.)

To unlock the control panel:

Press and hold OFF / CANCEL until “LOC” disappears from display. (Two tones will sound.)

BUILT-IN KITS

You can build your microwave oven into a wall or cabinet by using one of the following trim kits. These kits are available from your dealer. If your dealer does not stock the kit you can order it, by kit part number, by calling **1-800-253-1301** and following the instructions and telephone prompts you hear.

SIZE	COLOR	KIT MODEL NO.
24" (61 cm)	Black	MK1074XGB
24" (61 cm)	White	MK1074XGQ

USING OPTIONS

OPTIONS lets you select Warm Hold, change weight measurement from lbs to kilograms, or turn off tones.

1. Press **OPTIONS.**

2. Turn dial to desired **Option.**

For example, to change weight measurements from lbs to kgs you see:



NOTE: Display will flash “Strt” after a short delay.

5. Press **OPTIONS** or **START.**

SETTING THE CLOCK

When you first plug in your microwave oven, the display shows “ : ”. If the electric power ever goes off, the display will again show “ : ” when the power comes back on.

NOTE: You can cook without setting the clock, but the display will show “ : ” again after the cooking is completed.

-
1. Press **CLOCK SET**.

 2. Turn dial to desired hour.

 3. Press **CLOCK SET** again.

 4. Turn dial to desired minutes.

 5. Press **CLOCK SET** or **START**.

USING THE MINUTE TIMER

You can use your microwave oven as a kitchen timer. Use the minute timer for timing up to 90 minutes.

-
1. Press **TIMER SET / OFF**.

 2. Turn dial to desired time.

 3. Press **START**, (or, **TIMER SET / OFF**) or allow the timer to start automatically after a short delay.

 4. **At the end of the set time:**
Timer will count down to zero, then will display “End” and 5 tones will sound.
NOTE: To cancel timer at any time, press **TIMER SET / OFF**.

USING YOUR MICROWAVE OVEN

This section gives you instructions for operating each function. Please read these instructions carefully.

COOKING AT HIGH COOK POWER

1. Put the food in the oven and close the door.
2. Press **COOK TIME**.
3. Turn dial to desired time.
NOTE: Display will flash “Strt” after a short delay.
4. Press **START**.
5. At the end of the cooking time:
Display will show “End” and 3 tones will sound.

COOKING AT DIFFERENT COOK POWERS

1. Put your food in the oven and close the door.
2. Press **COOK TIME**.
3. Turn dial to desired time.
4. Press **COOK POWER**.
5. Turn dial to desired power setting.
6. Press **START**.
7. At the end of the cooking time:
Display will show “End” and 3 tones will sound.

For best results, some recipes call for different cook powers. The lower the cook power, the slower the cooking. Each level stands for a different percentage of cook power. Many microwave cookbook recipes tell you by number, percent, or name which cook power to use.

The following chart gives the percentage of cook power each level stands for, and the cook power name usually used. It also tells you when to use each cook power. Follow recipe or food package instructions if available.

NOTE: Refer to a reliable cookbook for cooking times.

COOK POWER	NAME	WHEN TO USE IT
P-HI = 100% of full power (automatic)	High	<ul style="list-style-type: none"> ● Quick heating many convenience foods and foods with high water content, such as soups and beverages
P-90 = 90% of full power		<ul style="list-style-type: none"> ● Cooking small tender pieces of meat, ground meat, poultry pieces, fish fillets, and most vegetables ● Heating cream soups ● Heating rice, pasta, or stirrable casseroles
P-80 = 80% of full power	Medium-High, Reheat	<ul style="list-style-type: none"> ● Cooking and heating foods that need a cook power lower than high (for example, whole fish and meat loaf) or when food is cooking too fast
P-70 = 70% of full power		<ul style="list-style-type: none"> ● Reheating a single serving of food
P-60 = 60% of full power		<ul style="list-style-type: none"> ● Cooking sensitive foods such as cheese and egg dishes, pudding, and custards ● Cooking non-stirrable casseroles, such as lasagna

continued on next page

COOK POWER	NAME	WHEN TO USE IT
P-50 = 50% of full power	Medium	<ul style="list-style-type: none"> ● Cooking ham, whole poultry, and pot roasts
P-40 = 40% of full power		<ul style="list-style-type: none"> ● Melting chocolate ● Simmering stews ● Heating pastries
P-30 = 30% of full power	Medium-Low, Defrost	<ul style="list-style-type: none"> ● Defrosting foods, such as bread, fish, meats, poultry, and precooked foods
P-20 = 20% of full power		<ul style="list-style-type: none"> ● Softening butter, cheese, and ice cream
P-10 = 10% of full power	Low	<ul style="list-style-type: none"> ● Keeping food warm ● Taking chill out of fruit

COOKING WITH MORE THAN ONE COOK CYCLE

For best results, some recipes call for one cook power for a certain length of time, and another cook power for another length of time. Your oven can be set to change from one power level to another automatically, for up to 2 cycles plus a defrost cycle.

1. Put your food in the oven and close the door.

2. Set the cooking time for the first cycle.

3. Set the cook power for the first cycle.

4. Repeat Steps 2 and 3 to set the cooking time and cook power for each additional cycle.

5. Press START.

After each cycle is complete, 2 tones sound and the next cycle(s) will count down.

6. At the end of the cooking time:

The display will show “End” and 3 tones will sound.

NOTE: You can set your chosen cook functions in any order. However, when you use AUTO DEFROST, it must be the first cycle.

AUTO COOKING

You can automatically pop popcorn, cook or reheat common microwave-prepared foods just by pressing POPCORN, AUTO COOK or AUTO REHEAT.

See the “Auto cooking chart” section and follow the directions.

AUTO COOKING CHARTS

POPCORN chart

Press POPCORN and turn dial to serving size.

SERVING SIZE	DIRECTIONS
3.5 oz (99 g) 3.0 oz (85 g) 1.75 oz (50 g)	<ul style="list-style-type: none"> ● Follow package directions. ● Use a popcorn package which is made especially for microwave cooking. ● Do not try to pop unpopped kernels. ● Pop only 1 package at a time. ● Do not leave the microwave oven unattended while popping popcorn. ● If you are using a microwave popcorn popper, follow manufacturer’s instructions. ● How well your popcorn cooks will depend on the brand of popcorn and how much fat it has in it. Try several brands to decide which pops the best. For best results, use fresh bags of popcorn.

AUTO COOK chart

Press AUTO COOK, turn dial to desired food, **press** START.

NOTE: AUTO COOK will start automatically after a short delay.

BUTTON	DISPLAY	SERVING SIZE	DIRECTIONS
AUTO COOK			
Baked Potatoes	1-1	1 (10-13 oz [284-369 g])	<ul style="list-style-type: none"> ● Pierce potato several times with fork. ● Place in center of the oven on paper towel. ● After cooking, let stand for 5 minutes.
	1-2	2 (16-20 oz [454-567 g])	
	1-3	3 (24-30 oz [680-851 g])	
	1-4	4 (32-40 oz [.9-1.13 kg])	
Frozen Entree	2	10 oz (284 g)	<ul style="list-style-type: none"> ● Loosen plastic film on three sides. ● After cooking, stir if possible. ● Let stand, covered, for 3 minutes.
Frozen Vegetables	3-1	1 cup (250 mL)	<ul style="list-style-type: none"> ● Prepare vegetable (wash, cut up vegetable into ½ in [1.3 cm] slices or pieces). Cover with plastic wrap. 1 cup (250 mL) – Add 2 tablespoons (30 mL) water 2 cups (500 mL) – Add 2 tablespoons (30 mL) water 3 cups (750 mL) – Add ¼ cup (63 mL) water ● Most vegetables need 2 or 3 minutes standing time after cooking.
	3-2	2 cups (500 mL)	
	3-3	3 cups (750 mL)	

AUTO COOKING CHARTS (CONT.)

AUTO COOK chart (cont.)

Press AUTO COOK, turn dial to desired food, **press** START.

NOTE: AUTO COOK will start automatically after a short delay.

BUTTON	DISPLAY	SERVING SIZE	DIRECTIONS
AUTO COOK (cont.)			
Fresh Vegetables	4-1	1 cup (250 mL)	<ul style="list-style-type: none"> ● Prepare vegetable (wash, cut up vegetable into ½ in [1.3 cm] slices or pieces). Cover with plastic wrap. 1 cup (250 mL) – Add 2 tablespoons (30 mL) water 2 cups (500 mL) – Add 2 tablespoons (30 mL) water 3 cups (750 mL) – Add ¼ cup (63 mL) water 4 cups (1 L) – Add ¼ cup (63 mL) water ● Most vegetables need 2 or 3 minutes standing time after cooking.
	4-2	2 cups (500 mL)	
	4-3	3 cups (750 mL)	
	4-4	4 cups (1 L)	
Oatmeal (instant)	5-1	1 cup (250 mL)	<ul style="list-style-type: none"> ● Prepare in a microwave-safe bowl following package directions. ● Stir after cooking.
	5-2	2 cups (500 mL)	
	5-3	3 cups (750 mL)	
	5-4	4 cups (1 L)	

AUTO REHEAT chart

Press AUTO REHEAT, turn dial to desired food, **press** START.

NOTE: AUTO REHEAT will start automatically after a short delay.

BUTTON	DISPLAY	SERVING SIZE	DIRECTIONS
AUTO REHEAT			
Dinner plate (refrigerated)	1-1	1 serving	<ul style="list-style-type: none"> ● Arrange food on microwave-safe plate. Place meaty portions and bulky vegetables to outside of plate. ● Cover with plastic wrap. ● Vent. ● After reheating, let stand for 2 minutes.
	1-2	2 servings	
Casserole (refrigerated)	2-1	1 cup (250 mL)	<ul style="list-style-type: none"> ● Cover dish containing the casserole with plastic wrap. ● After reheating, stir if possible. ● Let stand, covered, for 3 minutes.
	2-2	2 cups (500 mL)	
	2-3	3 cups (750 mL)	
	2-4	4 cups (1 L)	
Beverage	3-1	1 cup (250 mL)	<ul style="list-style-type: none"> ● Use a mug or microwave-safe cup. ● Stir carefully after reheating.
	3-2	2 cups (500 mL)	
Soup/Sauce	4-1	1 cup (250 mL)	<ul style="list-style-type: none"> ● Use a microwave-safe bowl. ● Cover dish with plastic wrap. ● Stir after reheating. ● Let stand, covered, for 3 minutes.
	4-2	2 cups (500 mL)	
Pizza Slice (refrigerated)	5-1	1 slice (5 oz [127 g])	<ul style="list-style-type: none"> ● Place the refrigerated pizza on a paper towel in the center of the microwave oven.
	5-2	2 slices (10 oz [284 g])	
Bagel	6-1	1 (2 oz [58 g])	<ul style="list-style-type: none"> ● Place in the center of the oven on a paper towel.
	6-2	2 (4 oz [114 g])	
	6-3	3 (6 oz [170 g])	
	6-4	4 (8 oz [227 g])	

Using AUTO DEFROST

You can defrost food by choosing a category and setting a weight. AUTO DEFROST has preset times and cook powers for 3 categories: Meat, Poultry, and Fish.

1. Press AUTO DEFROST.

Once for Meat (dEF1), twice for Poultry (dEF2), three times for Fish (dEF3).

2. Turn dial to desired weight (from .1 to 6.0 lbs [45 g to 2.7 kg]).

NOTE: Display will flash "Strt" after a short delay.

3. Press START.

4. During defrosting, 5 tones will sound. These tones tell you when to check, turn over, separate, or rearrange the food. To start the oven again, press START.

5. At the end of the defrosting time:

Display will show "End" and 3 tones will sound.

NOTE: To defrost items not listed in the "Auto defrost chart," use 30% cook power. Refer to a reliable cookbook for defrosting information.

Weight conversion chart

You are probably used to food weights as being in pounds and ounces that are fractions of a pound (for example, 4 ounces equals $\frac{1}{4}$ pound [134 g]).

If the weight on the food package is in fractions of a pound, you can use the following chart to convert the weight to decimals.

Equivalent Weight		
OUNCES	GRAMS	DECIMAL WEIGHT
1.6	45.4	.10
3.2	90.7	.20
4.0	113.4	.25 One-Quarter Pound
4.8	136.1	.30
6.4	181.4	.40
8.0	226.8	.50 One-Half Pound
9.6	272.2	.60
11.2	317.5	.70
12.0	340.2	.75 Three-Quarters Pound
12.8	362.9	.80
14.4	408.2	.90
16.0	453.6	1.00 One Pound

DEFROSTING TIPS

- **Before starting**, make sure you have removed any of the metal twist-ties which often come with frozen food bags, and replace them with strings or elastic bands.
- **Open containers** such as cartons before they are placed in the oven.
- **Always slit** or pierce plastic pouches or packaging.
- **If food is foil wrapped**, remove foil and place it in a suitable container.
- **Slit** the skins, if any, of frozen food such as sausage.
- **Bend** plastic pouches of food to ensure even defrosting.
- **Always underestimate** defrosting time. If defrosted food is still icy in the center, return it to the microwave oven for more defrosting.
- **The length** of defrosting time varies according to how solidly the food is frozen.
- **The shape of the package** affects how quickly food will defrost. Shallow packages will defrost more quickly than a deep block.
- **As food begins to defrost**, separate the pieces. Separated pieces defrost more evenly.
- **Use small pieces of aluminum foil** to shield parts of food such as chicken wings, leg tips, fish tails, or areas that start to get warm. Make sure the foil does not touch the sides, top, or bottom of the oven. The foil can damage the oven lining.
- **For better results**, let food stand after defrosting. (For more information on standing time, see "Microwave cooking tips" in the "Cooking Guide" section.)
- **Turn food over** during defrosting or standing time. Break apart and remove food as required.

Using JET START

JET START lets you cook food for 30 seconds at 100% cook power or, during any manual program you can use it to add 30-second increments.

NOTES:

- Each time you **press** JET START, it will add 30 seconds.
- You can enter JET START only after closing the door or after **pressing** OFF / CANCEL.
- You can also use the dial to increase or decrease the remaining cook time during manual programs.

1. Make sure your food is in the oven.

2. Press JET START.

(each additional press adds 30 seconds of cooking time, up to a total of 10 minutes)

3. At the end of the cooking time:

Display will show “End” and 3 tones will sound.

Using WARM HOLD OPTION

You can safely keep hot, cooked food warm in your microwave oven for up to 99 min., 99 sec.

NOTES:

- Warm Hold operates for up to 99 min., 99 sec.
- Food cooked should be covered during Warm Hold.
- Pastry items (pies, turnovers, etc.) should be uncovered during Warm Hold.
- Complete meals kept warm on a dinner plate should be covered during Warm Hold.
- Do not use more than 1 complete Warm Hold cycle. The quality of some foods will suffer with extended time.

1. Put hot, cooked food in the oven and close the door.

2. Press OPTIONS.

3. Turn dial to “Hold”.

NOTE: Display will flash “Strt” after a short delay.

4. Press START. Display will show “Hold”.

5. To cancel WARM HOLD, open door or press OFF / CANCEL.

COOKING GUIDE

MICROWAVE COOKING TIPS

Amount of food

- **If you increase or decrease** the amount of food you prepare, the time it takes to cook that food will also change. For example, if you double a recipe, add a little more than half the original cooking time. Check for doneness and, if necessary, add more time in small increments.

Starting temperature of food

- **The lower the temperature** of the food being put into the microwave oven, the longer it takes to cook. Food at room temperature will be reheated more quickly than food at refrigerator temperature.

Composition of food

- **Food with a lot of fat and sugar** will be heated faster than food containing a lot of water. Fat and sugar will also reach a higher temperature than water in the cooking process.
- **The more dense the food**, the longer it takes to heat. “Very dense” food like meat takes longer to reheat than lighter, more porous food like sponge cakes.

Size and shape

- **Smaller pieces of food** will cook faster than larger pieces. Also, same-shaped pieces cook more evenly than different-shaped pieces.
- **With foods that have different thicknesses**, the thinner parts will cook faster than the thicker parts. **Place** the thinner parts of chicken wings and legs in the center of the dish.

Stirring, turning foods

- **Stirring and turning foods** spreads heat quickly to the center of the dish and avoids overcooking at the outer edges of the food.

Covering food

Cover food to:

- **Reduce** splattering
- **Shorten** cooking times
- **Keep** food moist

You can use any covering that lets microwaves pass through. See “Getting to Know Your Microwave Oven” for materials that microwaves will pass through.

Releasing pressure in foods

- **Several foods** (for example: baked potatoes, sausages, egg yolks, and some fruits) are tightly covered by a skin or membrane. Steam can build up under the membrane during cooking, causing the food to burst. To relieve the pressure and to prevent bursting, **pierce** these foods before cooking with a fork, cocktail pick, or toothpick.

Using standing time

- **Always allow food to stand** after cooking. Standing time after defrosting and cooking allows the temperature to evenly spread throughout the food, improving the cooking results.
- **The length of the standing time** depends on how much food you are cooking and how dense it is. Sometimes it can be as short as the time it takes you to remove the food from the oven and take it to the serving table. However, with larger, denser food, the standing time may be as long as 10 minutes.

Arranging food

For best results, place food evenly on the plate. You can do this in several ways:

- **If you are cooking several items of the same food**, such as baked potatoes, **place** them in a ring pattern for uniform cooking.
- **When cooking foods of uneven shapes or thickness, such as chicken breasts**, **place** the smaller or thinner area of the food towards the center of the dish where it will be heated last.
- **Layer thin slices of meat** on top of each other.
- **When you cook or reheat whole fish**, **score** the skin – this prevents cracking.
- **Do not** let food or a container touch the top or sides of the oven. This will prevent possible arcing.

MICROWAVE COOKING TIPS (CONT.)

Using aluminum foil

Metal containers should not be used in a microwave oven. There are, however, some exceptions. If you have purchased food which is prepackaged in an aluminum foil container, refer to the instructions on the package. When using aluminum foil containers, cooking times may be longer because microwaves will only penetrate the top of the food.

If you use aluminum containers without package instructions, follow these guidelines:

- **Place** the container in a glass bowl and add some water so that it covers the bottom of the container, not more than $\frac{1}{4}$ in (.64 cm) high. This ensures even heating of the container bottom.
- **Always remove** the lid to avoid damage to the oven.
- **Use only** undamaged containers.
- **Do not use** containers taller than $\frac{3}{4}$ in (1.9 cm).
- **Container must be** at least half filled.
- **To avoid arcing**, there must be a minimum $\frac{1}{4}$ in (.64 cm) between the aluminum container and the walls of the oven and also between two aluminum containers.
- **Always place** the container on the turntable.
- **Reheating food** in aluminum foil containers usually takes up to double the time compared to reheating in plastic, glass, china, or paper containers. The time when food is ready will vary depending upon the type of container you use.
- **Let food stand** for 2 to 3 minutes after heating so that heat is spread evenly throughout container.

Cooking you should not do in your microwave oven

- **Do not** do canning of foods in the oven. Closed glass jars may explode, resulting in damage to the oven.
- **Do not** use the microwave oven to sterilize objects (baby bottles, etc.). It is difficult to keep the oven at the high temperature needed for safe sterilization.

CARING FOR YOUR MICROWAVE OVEN

To make sure your microwave oven looks good and works well for a long time, you should maintain it properly. For proper care, please follow these instructions carefully.

For interior surfaces: Wash often with warm, sudsy water and a sponge or soft cloth. Use only mild, non-abrasive soaps or a mild detergent. **Be sure to keep the areas clean where the door and oven frame touch when closed.** Wipe well with clean water. Over time, stains can occur on the surfaces as the result of food particles spattering during cooking. This is normal.

For stubborn soil, **boil** a cup (250 mL) of water in the oven for 2 or 3 minutes. Steam will soften the soil. To get rid of odors inside the oven, **boil** a cup (250 mL) of water with lemon juice or vinegar.

For exterior surfaces and control panel: Use a soft cloth with spray glass cleaner. Apply the spray glass cleaner to the soft cloth; do not spray directly on the oven.

NOTE: Abrasive cleansers, steel-wool pads, gritty wash cloths, some paper towels, etc., can damage the control panel and the interior and exterior oven surfaces.

To clean turntable and turntable support, wash in mild, sudsy water; for heavily soiled areas use a mild cleanser and scouring sponge. The turntable and turntable support are dishwasher-safe.

QUESTIONS AND ANSWERS

QUESTIONS	ANSWERS
Can I operate my microwave oven without the turntable or turn the turntable over to hold a large dish?	No. If you remove or turn over the turntable, you will get poor cooking results. Dishes used in your oven must fit on the turntable.
Can I use a rack in my microwave oven so that I may reheat or cook on two levels at a time?	You can use a rack only if the rack is supplied with your microwave oven. If you use a rack not supplied with the microwave oven, you can get poor cooking performance and/or arcing.
Can I use either metal or aluminum pans in my microwave oven?	You can use aluminum foil for shielding (use small, flat pieces), small skewers, and shallow foil trays (if tray is not taller than ¼ inch [1.9 cm] deep and half filled with food to absorb microwave energy). Never allow metal to touch walls or door.
Is it normal for the turntable to turn in either direction?	Yes. The turntable rotates clockwise or counter-clockwise, depending on the rotation of the motor when the cooking cycle begins.
Sometimes the door of my microwave oven appears wavy. Is this normal?	This appearance is normal and does not affect the operation of your oven.
What are the humming noises that I hear when my microwave oven is operating?	You may hear the sound of the transformer when the magnetron tube cycles on.
Why does the dish become hot when I microwave food in it? I thought that this should not happen.	As the food becomes hot it will conduct the heat to the dish. Be prepared to use hot pads to remove food after cooking.
What does “standing time” mean?	“Standing time” means that food should be removed from the oven and covered for additional time to allow it to finish cooking. This frees the oven for other cooking.
Why does steam come out of the air exhaust vent?	Steam is normally produced during cooking. The microwave oven has been designed to vent this steam out the vents.
Can I pop popcorn in my microwave oven? How do I get the best results?	Yes. Pop packaged microwave popcorn following manufacturer’s guidelines or use the preset POPCORN button. Do not use regular paper bags. Use the “listening test” by stopping the oven as soon as the popping slows to a “pop” every 1 or 2 seconds. Do not repop unpopped kernels. Do not pop popcorn in glass cookware.

TROUBLESHOOTING

Most cooking problems often are caused by little things you can find and fix without tools of any kind. Check the lists below before calling for assistance or service. If you still need help, see the “Requesting Assistance or Service” section.

IF MICROWAVE DOES NOT OPERATE, FIRST CHECK THE FOLLOWING:

- Is the microwave plugged into a live outlet with the proper voltage? (See installation instructions.)
- Have you blown a household fuse or tripped a circuit breaker?
- Has the electric company experienced a power failure?

OTHER POSSIBLE PROBLEMS AND THEIR CAUSES:

Problem	Cause
The microwave oven will not run.	<ul style="list-style-type: none">● The door is not firmly closed and latched.● You did not press START.● You did not follow directions exactly.● An operation that was programmed earlier is still running.● You have not dialed in the time after pressing COOK TIME.
Microwave cooking times seem too long.	<ul style="list-style-type: none">● The electric supply to your home or wall outlets is low or lower than normal. Your electric company can tell you if the line voltage is low. Your electrician or service technician can tell you if the outlet voltage is low.● The cook power is not at the recommended setting.● Larger amounts of food need longer cooking times.
The turntable will not turn.	<ul style="list-style-type: none">● The turntable is not correctly in place. Make sure the turntable is correct-side up and is sitting securely on center shaft.● The support is not operating correctly. Remove turntable, check that the turntable support is properly in place, and restart oven. If turntable support does not move, call a designated service technician for repair. Cooking without the turntable can give you poor results.
The display shows a time counting down but the oven is not cooking.	<ul style="list-style-type: none">● The oven door is not closed completely.● You have set the controls as a kitchen timer. Press OFF /CANCEL to cancel the Minute Timer.
You do not hear the Programming Tone.	<ul style="list-style-type: none">● The command is not correct.
The fan seems to be running slower than usual.	<ul style="list-style-type: none">● The oven has been stored in a cold area. The fan will run slower until the oven warms up to normal room temperature.
The display is showing “ : ”.	<ul style="list-style-type: none">● There has been a power interruption. Reset the clock.

If none of these items is causing your problem, see the “Requesting Assistance or Service” section on page 23.

REQUESTING ASSISTANCE OR SERVICE

To avoid unnecessary service calls, please check the “Troubleshooting” section. It may save you the cost of a service call. If you still need help, follow the instructions below.

IF YOU NEED ASSISTANCE OR SERVICE

Call the Whirlpool Consumer Assistance Center toll free at 1-800-253-1301. Our consultants are available to assist you.



When calling:

Please know the purchase date, and the complete model and serial number of your appliance (see the “A Note to You” section). This information will help us better respond to your request.

Our consultants provide assistance with:

- Features and specifications on our full line of appliances
- Installation information

- Use and maintenance procedures
- Accessory and repair parts sales
- Specialized customer assistance (Spanish speaking, hearing impaired, limited vision, etc.)
- Referrals to local dealers, service companies, and repair parts distributors

Whirlpool designated service technicians are trained to fulfill the product warranty and provide after-warranty service, anywhere in the United States.

To locate the Whirlpool designated service company in your area, you can also look in your telephone directory Yellow Pages.

FOR FURTHER ASSISTANCE

If you need further assistance, you can write to Whirlpool with any questions or concerns at:

Whirlpool Brand Home Appliances
Consumer Assistance Center
c/o Correspondence Dept.
2000 North M-63
Benton Harbor, MI 49022-2692

Please include a daytime phone number in your correspondence.

WARRANTY

WHIRLPOOL® MICROWAVE OVEN

LENGTH OF WARRANTY	WHIRLPOOL CORPORATION WILL PAY FOR
FULL ONE-YEAR WARRANTY FROM DATE OF PURCHASE	FSP® replacement parts and repair labor to correct defects in materials or workmanship. Service must be provided by a Whirlpool designated service company.
LIMITED FOUR-YEAR WARRANTY SECOND THROUGH FIFTH YEAR FROM DATE OF PURCHASE	FSP replacement magnetron tube on microwave ovens if defective in materials or workmanship.
WHIRLPOOL CORPORATION WILL NOT PAY FOR	
<p>A. Service calls to:</p> <ol style="list-style-type: none"> 1. Correct the installation of your microwave oven. 2. Instruct you how to use your microwave oven. 3. Replace house fuses or correct house wiring. 4. Replace owner-accessible light bulbs. <p>B. Repairs when your microwave oven is used in other than normal, single-family household use.</p> <p>C. In-home service. Your microwave oven must be taken to a Whirlpool designated service company, except when your microwave oven is installed over an approved Whirlpool oven using an approved built-in kit. (See the "Built-In kits" section for a list of approved built-in kits.)</p> <p>D. Damage to your microwave oven caused by accident, misuse, fire, flood, acts of God, or use of products not approved by Whirlpool.</p> <p>E. Any labor costs during limited warranty.</p> <p>F. Repairs to parts or systems resulting from unauthorized modifications made to the appliance.</p>	

3/99

WHIRLPOOL CORPORATION SHALL NOT BE LIABLE FOR INCIDENTAL OR CONSEQUENTIAL DAMAGES. Some states do not allow the exclusion or limitation of incidental or consequential damages, so this exclusion or limitation may not apply to you. This warranty gives you specific legal rights, and you may also have other rights which vary from state to state.

Outside the United States, a different warranty may apply. For details, please contact your authorized Whirlpool dealer.

If you need service, first see the "Troubleshooting" section of this book. After checking "Troubleshooting," additional help can be found by checking the "Requesting Assistance or Service" section or by calling our Consumer Assistance Center telephone number, **1-800-253-1301**, from anywhere in the U.S.A.

Uso y cuidados

G U Í A

Hornos de microonda

Un mensaje para usted	2
Seguridad del horno de microondas.....	3
Instrucciones para la instalación.....	5
Conozca su horno de microondas	7
Cómo funciona su horno de microondas.....	7
Interferencia electromagnética	7
Cómo obtener los óptimos resultados de cocción	7
Cómo probar su horno de microondas.....	7
Cómo probar su vajilla o sus utensilios de cocina	8
Consejos para la operación	8
Conexión eléctrica	8
Características del horno de microondas.....	9
Características del panel de controles.....	10
Juegos de accesorios para empotrar	11
Cómo utilizar OPTIONS.....	11
Cómo poner el reloj a la hora	12
Cómo utilizar el temporizador.....	12
Cómo usar su horno de microondas	13
Cocción a intensidad alta.....	13
Cocción a distintas intensidades	13
Cómo cocinar con más de un ciclo de cocción.....	14
Cocción automática.....	15
Gráficos para la cocción automática...15	
Cómo usar AUTO DEFROST (descongelación automática).....	18
Consejos para la descongelación.....	18
Cómo usar JET START (cocción JET)...19	
Cómo usar la opción Warm Hold (mantener caliente)	19
Guía para cocinar.....	20
El cuidado de su horno de microondas	21
Preguntas y respuestas.....	22
Diagnóstico y solución de problemas...23	
Cómo pedir ayuda o servicio	24
Garantía	27

1-800-253-1301

Para cualquier pregunta o comentario, sírvase llamar a nuestro Centro de Ayuda a Clientes.



www.whirlpool.com

MODELO MT3070SH

3828W5A1141/8171816

UN MENSAJE PARA USTED

Gracias por comprar un aparato electrodoméstico WHIRLPOOL®.

En Whirlpool nos hemos comprometido a diseñar productos de calidad que le ofrezcan un rendimiento constante para facilitarle la vida. Para asegurar que usted disfrute del funcionamiento sin preocupaciones por muchos años, hemos desarrollado esta "Guía para el uso y cuidado". Ésta contiene información valiosa acerca de cómo operar y mantener su horno de microondas en forma adecuada y segura. Por favor léala cuidadosamente.

Además, por favor complete y envíe por correo la **Tarjeta de registro de propiedad** provista con su electrodoméstico. Esta tarjeta nos ayuda a notificarle cualquier nueva información acerca de su aparato electrodoméstico.

Por favor registre la información de su modelo.

Si llama para pedir servicio para su aparato electrodoméstico, usted necesita saber el número de modelo y el número de serie completo. Usted puede encontrar esta información en la placa con el número de modelo y serie (ver el diagrama en la sección "Características del horno de microondas" para localizar la placa).

Por favor registre la fecha de compra de su aparato electrodoméstico y el nombre, domicilio y número de teléfono de su distribuidor.

Número de modelo _____

Número de serie _____

Fecha de compra _____

Nombre del distribuidor _____

Domicilio del distribuidor _____

Teléfono del distribuidor _____

Guarde este manual y el recibo de compra juntos en un lugar seguro para referencia en el futuro. Es importante que usted guarde el recibo mostrando la fecha de compra. La prueba de compra le asegura la garantía de servicio.

Puede llamar sin costo a nuestro Centro de Ayuda a Clientes.

1-800-253-1301

Para encontrar información detallada, la ubicación de su distribuidor Whirlpool o centro de servicio más cercano, para comprar un accesorio o para registrar su aparato electrodoméstico en línea, sírvase visitar nuestro sitio Web en www.whirlpool.com

SEGURIDAD DEL HORNO DE MICROONDAS

Su seguridad y la seguridad de los demás es muy importante.

Hemos incluido muchos mensajes importantes de seguridad en este manual y en su electrodoméstico. Lea y obedezca siempre todos los mensajes de seguridad.



Este es el símbolo de advertencia de seguridad.

Este símbolo le llama la atención sobre peligros que pueden ocasionar la muerte o una lesión a usted y a los demás.

Todos los mensajes de seguridad irán precedidos por el símbolo de advertencia de seguridad y la palabra "PELIGRO" o "ADVERTENCIA". Estas palabras significan:

! PELIGRO

Si no sigue las instrucciones, usted morirá o sufrirá una lesión grave.

! ADVERTENCIA

Si no sigue las instrucciones, usted puede morir o sufrir una lesión grave.

Todos los mensajes de seguridad identificarán el peligro, le informarán cómo reducir las posibilidades de sufrir una lesión y lo que puede suceder si no siguen las instrucciones.

INSTRUCCIONES IMPORTANTES DE SEGURIDAD

Cuando se usan aparatos electrodomésticos, deben tomarse precauciones de seguridad, incluyendo las siguientes:

ADVERTENCIA: Para reducir el riesgo de quemaduras, electrocución, fuego, daños personales o exposición a energía excesiva de microondas:

- Lea todas las instrucciones antes de usar el horno de microondas.
- Lea y siga las "PRECAUCIONES PARA EVITAR LA POSIBLE EXPOSICIÓN A ENERGÍA EXCESIVA DE MICROONDAS" específicas que se encuentran en esta sección.
- El horno de microondas debe estar conectado a tierra. El enchufe se debe conectar a un tomacorriente con polo a tierra. Vea "INSTRUCCIONES PARA CONEXIÓN A TIERRA" en la sección "Instrucciones para la instalación".
- Instale o ubique el horno de microondas sólo de acuerdo a las instrucciones para instalación provistas.
- Algunos productos tales como huevos enteros con la cáscara y recipientes herméticos - por ejemplo, frascos de vidrio cerrados - pueden explotar y no deben calentarse en el horno de microondas.
- Use el horno de microondas sólo como se describe en este manual. No use productos químicos o vapores corrosivos en el horno de microondas. Este tipo de horno está específicamente diseñado para calentar, cocinar o deshidratar comida. Este no está diseñado para uso industrial o de laboratorio.
- Lo mismo que con cualquier aparato electrodoméstico, es necesario supervisar de cerca si lo usan los niños.
- No opere el horno de microondas si el cable o el enchufe están dañados, si el horno no funciona correctamente o si se ha dañado o caído.
- El horno de microondas debe ser revisado y reparado sólo por personal técnico calificado. Llame una compañía de servicio autorizada para el examen, reparación y ajuste.
- No cubra o bloquee ninguna abertura en el horno de microondas.
- No guarde el horno de microondas a la intemperie. No use el horno de microondas cerca del agua - por ejemplo, cerca del fregadero en la cocina, en un sótano húmedo o cerca de una alberca o lugares similares.

GUARDE ESTAS INSTRUCCIONES

continúa en la página siguiente

INSTRUCCIONES IMPORTANTES DE SEGURIDAD

- No sumerja el cable o el enchufe en agua.
- Mantenga el cable alejado de superficies calientes.
- No deje que el cable cuelgue del borde de una mesa o mostrador.
- Vea las instrucciones para limpiar la superficie de la puerta en la sección "Cuidado de su horno de microondas".
- No opere ningún aparato electrodoméstico de calefacción o de cocina debajo del horno de microondas.
- No instale el horno de microondas por arriba o cerca de cualquier parte de un aparato electrodoméstico de calefacción o de cocina.
- No monte el horno sobre un fregadero.
- No ponga nada directamente sobre el techo del horno de microondas cuando éste está funcionando.
- Para reducir el riesgo de incendio en la cavidad del horno:
 - No recocine los alimentos. Preste cuidadosa atención al horno si usa papel, plástico u otro material combustible dentro del horno para facilitar la cocción.
 - Quite las ataduras de alambre de las bolsas de papel o plástico antes de ponerlas en el horno.
 - Si algún elemento se prende fuego dentro del horno, mantenga la puerta cerrada, apague el horno y desenchúfelo o corte la corriente con los fusibles o el disyuntor.
 - No use la cavidad para guardar cosas. No deje productos de papel, utensilios de cocina o comida en la cavidad cuando no está en uso.

GUARDE ESTAS INSTRUCCIONES

PRECAUCIONES PARA EVITAR LA POSIBLE EXPOSICIÓN A ENERGÍA EXCESIVA DE MICROONDAS

- (a) No intente operar este horno con la puerta abierta ya que esto puede resultar en exposición nociva a energía de microondas. Es importante no forzar o tocar las trabas de seguridad.
- (b) No ponga ningún objeto entre la cara frontal del horno y la puerta y no permita que se acumule polvo o residuos de limpiadores en las superficies de sellado.
- (c) No opere el horno si éste está dañado. Es particularmente importante que la puerta del horno cierre correctamente y que no haya daño en:
 - (1) La puerta (torcida),
 - (2) Bisagras y seguros (rotos o flojos),
 - (3) Sellado de la puerta y superficies de sellado.
- (d) El horno no debe ser ajustado o reparado por nadie, excepto personal de servicio calificado.

INSTRUCCIONES PARA LA INSTALACIÓN

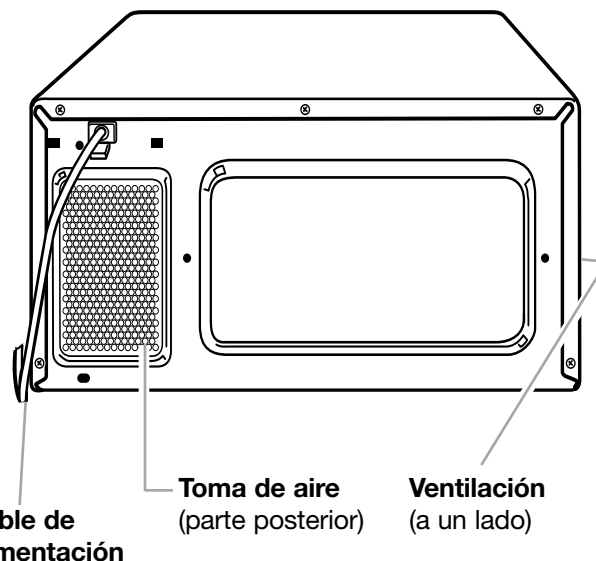
Antes de comenzar a operar el horno, lea las siguientes instrucciones con cuidado.

1. **Vacíe** el horno de microondas y **limpie** el interior con un paño suave y húmedo. **Revise** si hay algún daño, por ejemplo si la puerta no está correctamente alineada, daño alrededor de la puerta o abolladuras dentro del horno o en el exterior. Si hay algún daño, no opere el horno hasta que un técnico de servicio designado lo haya revisado y haya hecho las reparaciones necesarias.

2. **Coloque** el horno sobre un carrito, mostrador, mesa o estante lo suficientemente fuerte para sostener el horno y la comida y los utensilios que usted pone en él. **(El lado donde están los controles es más pesado. Tenga cuidado cuando lo mueve).** El peso del horno es aproximadamente 30 lbs (14 kg). El horno de microondas debe estar a una temperatura superior a los 50°F (10° C) para funcionar correctamente.

NOTA: Usted puede fijar su horno de microondas en una pared o debajo de una alacena usando uno de los juegos de accesorios enumerados en la sección "Juegos de accesorios para empotrar".

NOTA : No bloquee las ventilaciones o las aberturas para toma de aire. Deje un espacio de algunas pulgadas en la parte de atrás y al lado del horno donde están las aberturas para toma de aire. El bloqueo de las aberturas de toma de aire o la ventilación puede resultar en daños al horno y mala cocción. Asegúrese de que las patas del horno de microondas están colocadas correctamente para permitir la circulación de aire. Si las ventilaciones están bloqueadas, un dispositivo termosensible de seguridad hará que el horno se apague automáticamente. Una vez que se haya enfriado, el horno funcionará correctamente.



REQUERIMIENTOS ELÉCTRICOS

Cumpla con todos los códigos y órdenes vigentes. Sólo se requiere un suministro de electricidad de 120 voltios, 60 Hz, únicamente CA de 15-amperios a fusible. (Se recomienda un fusible de acción retardada) Se recomienda que se use un circuito dedicado exclusivamente para este aparato electrodoméstico.

⚠ ADVERTENCIA



Peligro de incendio

No instale el horno al lado o encima de una fuente de calor si no dispone de un juego de accesorios para empotrar autorizado de UL.

No seguir esta precaución puede ocasionar la muerte, incendio o choque eléctrico.

⚠ ADVERTENCIA



Peligro de Choque Eléctrico

Conecte a un contacto de pared de conexión a tierra de 3 terminales.

No quite el terminal de conexión a tierra.

No use un adaptador.

No use un cable eléctrico de extensión.

No seguir estas instrucciones puede ocasionar la muerte, incendio o choque eléctrico.

REQUERIMIENTOS ELÉCTRICOS (CONTINÚA)

INSTRUCCIONES PARA LA CONEXIÓN A TIERRA

- **Para todos los aparatos electrodomésticos de conexión con cable:**

El horno de microondas debe estar conectado a tierra. En caso de que se produzca un corto circuito, la conexión a tierra reduce el riesgo de electrocución por medio de un alambre de escape para la corriente eléctrica. El horno de microondas está equipado con un cable que tiene un alambre de conexión a tierra con un enchufe para conexión a tierra. El enchufe debe estar conectado a un tomacorriente que está correctamente instalado y conectado a tierra.

ADVERTENCIA: El uso incorrecto de la conexión a tierra puede resultar en riesgo de electrocución.

Consulte con un electricista o técnico calificado si las instrucciones para conexión a tierra no se entienden bien o si hay alguna duda con respecto a la correcta conexión a tierra del horno de microondas.

No use un cable de extensión. Si el cable es muy corto, haga que un electricista o técnico calificado instale un tomacorriente cerca del horno de microondas.

- **Para aparatos electrodomésticos de conexión permanente:**

Este aparato electrodoméstico debe conectarse a un sistema de alambrado metálico permanente con conexión a tierra o un conductor de conexión a tierra para equipos debe funcionar con los conductores del circuito y estar conectado a la terminal o conductor de la conexión a tierra para equipos en el aparato electrodoméstico.

GUARDE ESTAS INSTRUCCIONES

CONOZCA SU HORNO DE MICROONDAS

Esta sección habla de los conceptos de cocción a microondas. También le muestra los elementos básicos que usted debe conocer para operar el horno de microondas. Por favor lea esta información antes de usar su horno.

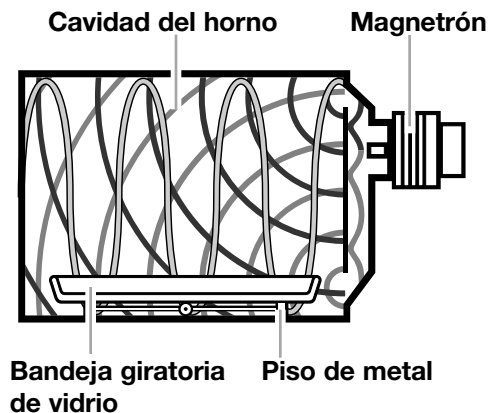
CÓMO FUNCIONA SU HORNO DE MICROONDAS

Los hornos de microondas son seguros. La energía de microondas no produce calor. Esta energía hace que los alimentos generen calor y éste a su vez hace que los alimentos se cocinen.

Las microondas son como las ondas de TV, radio o luz. Usted no las puede ver, pero puede ver lo que hacen.

Un magnetrón produce las microondas en un horno de microondas. Las microondas se mueven dentro del horno donde se ponen en contacto con los alimentos cuando giran sobre la bandeja giratoria.

Su horno dispone de un sistema de distribución múltiple de microondas. La energía de las microondas se libera en dos ubicaciones, logrando así una cocción mejor y más equilibrada.



La bandeja giratoria de vidrio de su horno de microondas permite que las microondas pasen. Luego, estas rebotan en el piso de metal, atraviesan la bandeja giratoria de vidrio y son absorbidas por los alimentos.

Las microondas pasan a través de la mayoría de los tipos de vidrio, papel y plástico sin calentarlos, de manera que el alimento absorbe la energía. Las microondas rebotan en los recipientes de metal, por lo tanto los alimentos no absorben la energía.

INTERFERENCIA ELECTROMAGNÉTICA

El uso de su horno de microondas puede causar interferencia con su radio, TV o equipos similares. Si hay interferencia, usted puede reducirla o eliminarla:

- **Limpiando** la puerta y las superficies sellantes del horno.
- **Ajustando** la antena receptora de radio o televisión.
- **Moviendo** la radio/televisión para que estén alejadas del horno de microondas.
- **Enchufando** el horno de microondas en otro tomacorriente para que el horno de microondas y el radio/TV estén en distintos circuitos eléctricos.

CÓMO OBTENER LOS ÓPTIMOS RESULTADOS DE COCCIÓN

- **Siempre cocine los alimentos** por el tiempo más corto recomendado. Verifique que los alimentos se estén cocinando. Si es necesario, **toque JET START** (cocción JET) mientras el horno está funcionando o después del ciclo de cocción. (Vea la sección "Cómo usar JET START").
- **Revuelva, rote o redistribuya** los alimentos que se están cocinando a la mitad del tiempo de cocción para todas las recetas. Esto le ayudará a asegurarse de que los alimentos están cocinados en forma pareja.
- **Si usted no tiene una tapa para un plato**, use papel encerado o toallas de papel aprobadas para uso con microondas o película de plástico. Recuerde doblar una esquina de la película de plástico para que el vapor salga durante la cocción.

CÓMO PROBAR SU HORNO DE MICROONDAS

Para probar el horno ponga una taza (250 mL) aproximadamente de agua fría en un recipiente de vidrio dentro del horno. Cierre la puerta. Verifique que esté asegurada. Cocine a 100% de intensidad durante 2 minutos. Cuando el tiempo se cumple, el agua debe estar caliente.

CÓMO PROBAR SU VAJILLA O SUS UTENSILIOS DE COCINA

Pruebe la vajilla de mesa o de cocina antes de usarla. Para saber si un plato se puede usar en forma segura, colóquelo dentro del horno junto a una taza (250 mL) con agua. Cocine a 100% de intensidad durante un minuto. **Si el plato se calienta y el agua está fría, no lo use.** Algunos platos (melamina, alguna vajilla cerámica, etc.) absorben energía de microondas, calentándose demasiado para agarrarlos y hace más lentos los tiempos de cocción. La cocción en recipientes de metal que no están diseñados para uso con microondas puede dañar el horno, lo mismo que recipientes con metal escondido (ataduras de alambre revestido, revestimiento de aluminio, broches metálicos, esmalte o adornos metálicos).

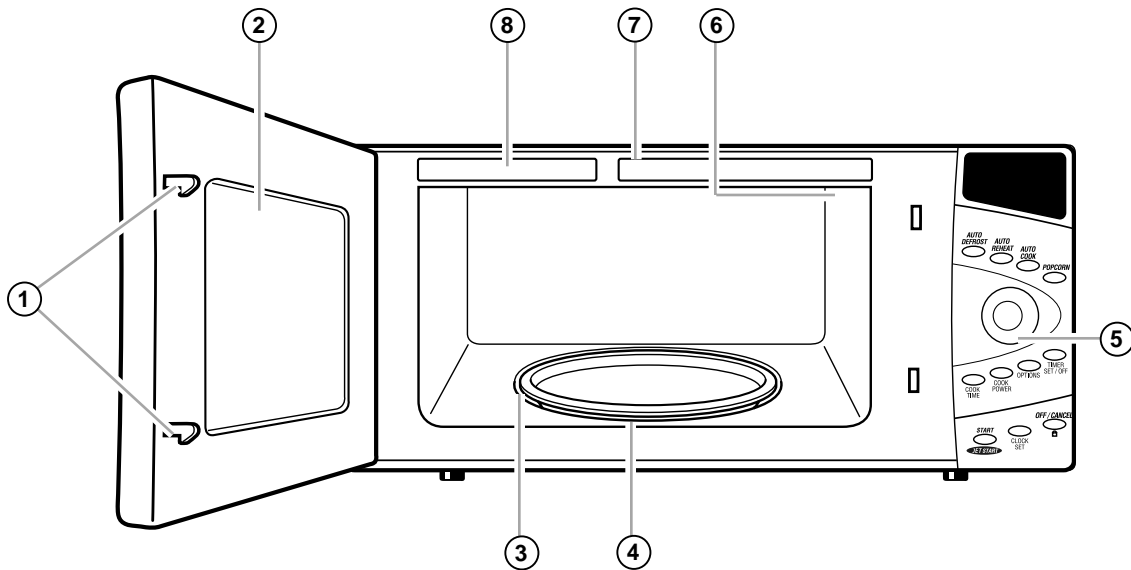
CONSEJOS PARA LA OPERACIÓN

- **Nunca** se apoye sobre la puerta o permita que los niños se columpien con ella mientras está abierta.
- **Use guantes para horno.** La energía de microondas no calienta los recipientes, pero el calor de los alimentos puede hacer que el recipiente se caliente.
- **No** use periódicos u otros papeles impresos en el horno.
- **No** seque flores, frutas, hierbas, madera, papel, calabazas o ropa en el horno.
- **No** encienda el horno cuando está vacío. La duración del producto se puede acortar. Si practica con la programación del horno, **coloque** un recipiente con agua en el horno. Es normal que la puerta parezca ondulada cuando el horno ha estado funcionando por un tiempo.
- **No** trate de fundir parafina en el horno. La parafina no se fundirá en un horno de microondas porque permite que las microondas la atraviesen.
- **No** opere el horno de microondas a menos que la bandeja giratoria esté asegurada en su lugar y pueda rotar con libertad. La bandeja giratoria puede rotar en ambas direcciones. **Asegúrese** que el lado correcto de la bandeja giratoria está hacia arriba. **Maneje su bandeja giratoria con cuidado** para sacarla del horno para evitar que se rompa. Si su bandeja giratoria se quiebra o se astilla, llame a su distribuidor para reemplazarla.
- **Cuando usa un plato para dorar alimentos**, el fondo del plato debe quedar a una distancia de por lo menos $\frac{3}{8}$ de pulgada (5 mm) por arriba de la bandeja giratoria. Siga las instrucciones provistas con el plato para dorar alimentos.
- **Nunca cocine o caliente un huevo entero con la cáscara.** La acumulación de vapor en el huevo entero puede hacer que explote y posiblemente el horno se dañe. **Corte** los huevos duros antes de calentarlos. En raras ocasiones ha ocurrido que los huevos poché han explotado. **Cubra** los huevos poché y **deje reposar** durante un minuto antes de cortarlos.
- **Para óptimos resultados, revuelva los líquidos varias veces antes de calentar o recalentar.** Los líquidos calentados en algunos recipientes (especialmente recipientes con forma cilíndrica) se pueden calentar excesivamente. El líquido puede salpicar haciendo un ruido fuerte durante o después del calentamiento o cuando se agregan ingredientes (gránulos de café, bolsitas de té, etc.). Esto puede dañar el horno.
- **Las microondas** pueden no llegar al centro de un asado. El calor se extiende al centro desde la parte de afuera cocinada, lo mismo que cuando se cocina en un horno común. Esta es una de las razones para dejar que algunos alimentos (por ejemplo asado o papas horneadas) reposen por un tiempo luego de cocinar, o para revolver algunas comidas mientras se están cocinando.
- **No haga frituras** en el horno. La vajilla para cocinar a microondas no es apropiada y es difícil mantener las temperaturas apropiadas para freír.
- **No recocine las papas.** Al final del tiempo de cocción recomendado, las papas deben estar ligeramente firmes porque se seguirán cocinando durante el tiempo de reposo. **Luego de cocinar a microondas**, déjelas reposar por 5 minutos. Éstas se terminarán de cocinar durante el tiempo de reposo.

CONEXIÓN ELÉCTRICA

Los tiempos de cocción serán más prolongados en caso de que **su suministro de energía eléctrica o el voltaje de salida** sea menor de 110 voltios. Haga que un electricista calificado compruebe su sistema eléctrico.

CARACTERÍSTICAS DEL HORNO DE MICROONDAS



Su horno de microondas está diseñado para que su experiencia culinaria le sea lo más placentera y productiva posible. Para que usted pueda comenzar inmediatamente, a continuación hay una lista de las características básicas del horno:

1. Sistema de traba de seguridad de la puerta.

El horno no funcionará a menos que la puerta esté correctamente cerrada.

2. Ventana con protección metálica. La protección evita que las microondas escapen. Está diseñada como una malla para que usted pueda ver los alimentos.

3. Bandeja giratoria de vidrio. Esta bandeja giratoria hace girar los alimentos mientras se cocinan para que la cocción sea pareja. Debe estar en el horno durante el funcionamiento para óptimos resultados en la cocción. La bandeja giratoria está empotrada en una cavidad en el piso para darle más espacio para cocinar y obtener los mejores resultados en la cocción.

4. Soporte de la bandeja giratoria (debajo de la bandeja giratoria).

5. Panel de controles. Presione los botones en este panel para las distintas funciones.

6. Luz (no se muestra). Se prende automáticamente cuando la puerta se abre o cuando el horno está funcionando.

7. Etiqueta con guía para cocinar.

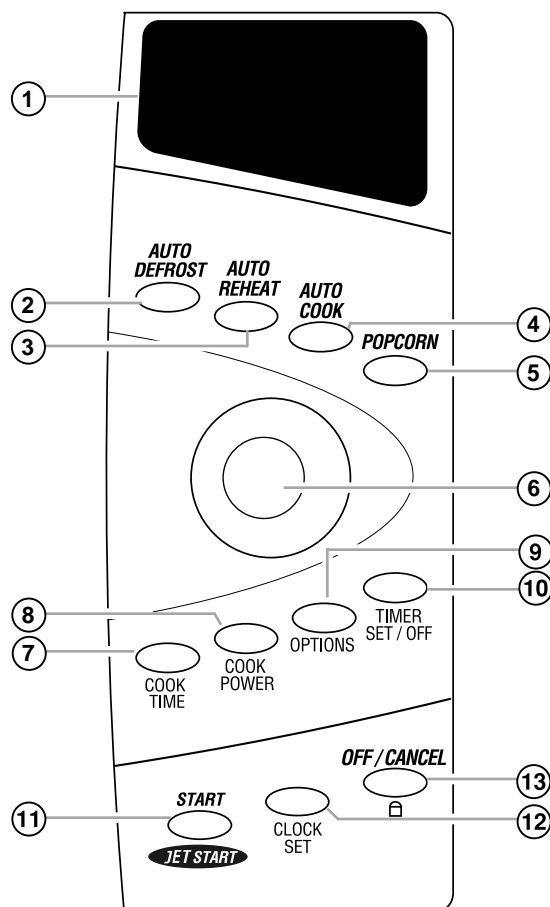
8. Placa con número de modelo y serie.

CARACTERÍSTICAS DEL PANEL DE CONTROLES

El panel de controles de su horno de microondas le permite seleccionar las funciones de cocción deseadas en forma rápida y fácil. La siguiente es una lista de todos los botones de Comandos ubicados sobre el panel de controles.

Para más información sobre estas características, vea la sección “Cómo usar su horno de microondas”.

- 1. Pantalla.** La pantalla incluye un reloj e indicadores que le muestran la hora del día, el tiempo de cocción programado, las intensidades de cocción, la cantidad, el peso y las funciones de cocción.
- 2. AUTO DEFROST (descongelación automática).** Toque este botón para descongelar alimentos congelados por peso.
- 3. AUTO REHEAT (recalentamiento automático).** Toque este botón para recalentar alimentos de una de las categorías de alimentos disponibles.
- 4. AUTO COOK (cocción automática).** Toque este botón para cocinar alimentos de una de las categorías de alimentos disponibles.
- 5. POPCORN (palomitas de maíz).** Toque este botón 1-3 veces para hacer una bolsa de palomitas de maíz de cualquiera de tres tamaños.
- 6. Dial.** Use el botón selector para hacer una selección del menú y fijar el tiempo o la intensidad de cocción.
- 7. COOK TIME (tiempo de cocción).** Toque este botón y luego gire el botón selector para fijar los tiempos de cocción.
- 8. COOK POWER (intensidad de cocción).** Toque este botón y luego gire el botón selector para programar la cantidad de energía de microondas liberada para cocinar los alimentos. Cuanto más alto es el número, más alta es la potencia y más rápida es la “velocidad de cocción”.
- 9. OPTIONS.** Toque este botón y luego gire el botón selector para elegir Warm Hold (mantener caliente), para cambiar el sistema de peso de libras a kilogramos o para apagar las señales audibles.
- 10. TIMER SET / OFF (fijar / cancelar el temporizador).** Toque este botón para fijar o cancelar el temporizador.
- 11. START/JET START (inicio/cocción jet).** Toque este botón para iniciar una función que hubiese fijado o para cocinar la comida al 100% de intensidad de cocción durante 30 segundos.
- 12. CLOCK SET (fijar el reloj).** Toque ese botón para fijar la hora correcta.



- 13. OFF/CANCEL (apagar/cancelar).** Toque este botón una vez para borrar un comando incorrecto o dos veces para cancelar un programa durante la cocción. Este botón no borra la hora del día.

Señales audibles

Su horno dispone de señales audibles como una guía cuando usted está programando y usando su horno:

- Habrá una señal de programación cada vez que usted toca un botón.
- Tres señales le avisarán cuando el ciclo de cocción termina y cinco señales le indican que se llegó al final de la función del temporizador.

NOTA: Se pueden suprimir las señales audibles de su horno. Para hacerlo, ver la sección “Cómo usar OPTIONS”

CARACTERÍSTICAS DEL PANEL DE CONTROLES (CONTINÚA)

Interrupción de la cocción

Usted puede detener el horno durante el ciclo abriendo la puerta. El horno deja de calentar y el ventilador se detiene, pero la luz queda encendida. Para volver a comenzar la cocción, cierre la puerta y

Toque **START**

Si usted no desea continuar con la cocción:

- Cierre la puerta y la luz se apaga

○

- Toque **OFF / CANCEL**.

NOTA: Antes de programar la función, toque **OFF / CANCEL** para asegurar que no haya otra función programada.

Cómo usar el seguro para niños

Si usted así lo desea, el seguro para niños traba el panel de controles de manera que los niños no puedan utilizar el horno de microondas.

Cómo trabar el panel de controles:

Toque y detenga **OFF / CANCEL** hasta que aparezca "LOC" en la pantalla (aproximadamente por 4 segundos). (Se escuchará una señal audible).

Cómo destrabar el panel de controles:

Toque y detenga **OFF / CANCEL** hasta que desaparezca "LOC" de la pantalla. (Se escucharán dos señales audibles).

JUEGOS DE ACCESORIOS PARA EMPOTRAR

Usted puede empotrar su horno de microondas en una pared o en un armario utilizando alguno de los juegos de accesorios que aparecen a continuación. Estos juegos están disponibles con su distribuidor. Si su distribuidor no tiene en existencia el juego que usted desea, puede pedirlo llamando al **1-800-253-1301**, usando el número de parte del juego y siguiendo las instrucciones y guías telefónicas que se escuchen.

TAMAÑO	COLOR	NO. MODELO DEL JUEGO
24" (61 cm)	Negro	MK1074XGB
24" (61 cm)	Blanco	MK1074XGQ

CÓMO UTILIZAR OPTIONS

OPTIONS le permite elegir Warm Hold (mantener caliente), cambiar el sistema de peso de libras a kilogramos o apagar las señales audibles.

1. Toque **OPTIONS**

2. Gire el botón selector hasta que indique la opción deseada.

Por ejemplo, si desea cambiar el sistema de peso de libras a kilogramos, usted verá:



NOTA: Después de un breve retraso, la pantalla mostrará "Strt".

5. Toque **OPTIONS** o **START**.

CÓMO PONER EL RELOJ A LA HORA

Cuando usted enchufa su horno de microondas por primera vez, la pantalla mostrará “ : ”. Después de una interrupción de energía eléctrica y en cuánto se restablezca la energía, la pantalla mostrará nuevamente “ : ”.

NOTA: Usted puede cocinar sin poner el reloj a la hora, pero la pantalla mostrará nuevamente “ : ” después de terminar de cocinar.

-
1. Toque **CLOCK SET**.

 2. Gire el botón selector hasta que indique la hora deseada.

 3. Toque **CLOCK SET** nuevamente.

 4. Gire el botón selector hasta que indique los minutos deseados.

 5. Toque **CLOCK SET** o **START**.

CÓMO UTILIZAR EL TEMPORIZADOR

Su horno de microondas puede usarse como un temporizador automático de cocina. Use el temporizador automático de minutos para fijar el tiempo hasta 90 minutos.

-
1. Toque **TIMER SET / OFF**

 2. Gire el botón selector hasta que indique la hora deseada.

 3. Toque **START** (o, **TIMER SET/OFF**) o déjelo y el temporizador arrancará automáticamente.

 4. **Al final de la cuenta regresiva:**
El temporizador contará hasta cero en forma regresiva, la pantalla mostrará “End” y se escucharán cinco señales audibles.
NOTA: En cualquier momento que desee cancelar al temporizador, **toque** **TIMER SET / OFF**.

CÓMO USAR SU HORNO DE MICROONDAS

Esta sección le da las instrucciones para operar cada una de las funciones. Por favor lea estas instrucciones cuidadosamente.

COCCIÓN A INTENSIDAD ALTA

1. Coloque los alimentos en el horno y cierre la puerta.

2. Toque **COOK TIME**.

3. Gire el botón selector hasta que indique el tiempo deseado.

NOTA: Después de un breve retraso, la pantalla mostrará "Strt".

4. Toque **START**.

5. Al final del tiempo de cocción:

La pantalla mostrará "End" y se escucharán tres señales audibles.

COCCIÓN A DISTINTAS INTENSIDADES

1. Coloque los alimentos en el horno y cierre la puerta.

2. Toque **COOK TIME**.

3. Gire el botón selector hasta que indique el tiempo deseado.

4. Toque **COOK POWER**.

5. Gire el botón selector hasta que indique la intensidad de cocción deseada.

6. Toque **START**.

7. Al final del tiempo de cocción:

La pantalla mostrará "End" y se escucharán tres señales audibles.

Para óptimos resultados, algunas recetas necesitan distintas intensidades de cocción. Cuanto más baja es la intensidad, más lenta es la cocción. Cada número del botón representa un porcentaje diferente de la intensidad de cocción. Muchas recetas de libros de cocina para microondas le dicen qué intensidad utilizar por número, porcentaje o nombre.

El siguiente cuadro le da el porcentaje de intensidad de cocción que corresponde a cada número del botón y el nombre de la intensidad de cocción generalmente utilizado. También le dice cuándo usar cada intensidad de cocción. Siga las instrucciones de la receta o paquete de alimentos si dispone de ellas.

NOTA: Consulte un libro de cocina confiable para los tiempos de cocción.

INTENSIDAD DE COCCIÓN	NOMBRE	CUANDO USAR
P-HI = 100% de intensidad total (automática)	Alta	<ul style="list-style-type: none">● Calentar rápidamente comida preparada y alimentos con alto contenido de agua, como sopas y bebidas
P-90 = 90% de intensidad total		<ul style="list-style-type: none">● Cocinar trozos pequeños y tiernos de carne, carne molida, piezas de pollo, filetes de pescado y verduras.● Calentar sopas cremosas● Calentar arroz, pasta o estofados
P-80 = 80% de intensidad total	Media-Alta, Recalentar	<ul style="list-style-type: none">● Cocinar y calentar alimentos que necesitan una intensidad de cocción menor que la alta (por ejemplo, pescado entero y rollo de carne molida) o cuando el alimento se está cocinando demasiado rápido
P-70 = 70% de intensidad total		<ul style="list-style-type: none">● Recalentar una porción sola de comida
P-60 = 60% de intensidad total		<ul style="list-style-type: none">● Cocción que requiere cuidado especial, como platos con huevo y queso, budines y natillas● Cocción de estofados que no pueden revolverse, como sería lasaña

continúa en la página siguiente

INTENSIDAD DE COCCIÓN	NOMBRE	CUANDO USAR
P-50 = 50% de intensidad total	Media	● Cocinar jamón, ave entera y cazuelas
P-40 = 40% de intensidad total		● Derretir chocolate ● Cocción lenta de estofados ● Calentar pasteles
P-30 = 30% de intensidad total	Media-Baja, Descongelar	● Descongelar alimentos, tales como panes, pescado, carnes, aves y comida precocida
P-20 = 20% de intensidad total		● Ablandar mantequilla, queso y helado
P-10 = 10% de intensidad total	Baja	● Mantener alimentos tibios ● Quitar el frío a las frutas

CÓMO COCINAR CON MÁS DE UN CICLO DE COCCIÓN

Para óptimos resultados, algunas recetas necesitan una intensidad de cocción por un cierto período de tiempo y otra intensidad de cocción por otro período. Su horno puede ser programado para cambiar de una a otra automáticamente, hasta 3 ciclos y un ciclo de descongelación.

1. **Coloque los alimentos en el horno y cierre la puerta.**
2. **Programe el tiempo de cocción para el primer ciclo.**
3. **Elija la intensidad de cocción para el primer ciclo.**
4. **Repita los pasos 2 y 3 para programar el tiempo y la intensidad de cocción para cada ciclo adicional.**
5. **Toque START**
Una vez que concluye cada ciclo se escucharán dos señales audibles y comenzará la cuenta regresiva para el próximo ciclo o ciclos adicionales.
6. **Al final del tiempo de cocción:**
Habrá tres señales audibles y la pantalla mostrará "End".
NOTA: Usted puede programar en cualquier orden las funciones de cocción que desee. Sin embargo, si usted usa AUTO DEFROST, esta función deberá ser el primer ciclo siempre.

COCCIÓN AUTOMÁTICA

Usted podrá preparar palomitas de maíz, cocinar o recalentar la comida preparada comúnmente en el horno de microondas, simplemente tocando POPCORN, AUTO COOK o AUTO REHEAT.

Vea la sección “Gráficos para la cocción automática” y siga las instrucciones.

GRÁFICOS PARA LA COCCIÓN AUTOMÁTICA

Gráfico para POPCORN

Toque POPCORN y gire el botón selector hasta que indique el tamaño de la porción.

TAMAÑO DE LA PORCIÓN	INSTRUCCIONES
3.5 oz (99 g) 3.0 oz (85 g) 1.75 oz (50 g)	<ul style="list-style-type: none"> ● Siga las indicaciones en el paquete. ● Use un paquete de palomitas de maíz preparado especialmente para cocción en horno de microondas. ● No haga estallar granos que no han reventado. ● Cocine un paquete a la vez solamente. ● Mientras se están cocinando las palomitas de maíz no deje el horno desatendido. ● Siga las instrucciones del fabricante si usa un tostador de palomitas de maíz para horno de microondas. ● El resultado obtenido dependerá de la marca de las palomitas de maíz y que tanta grasa contienen. Pruebe con varias marcas para decidir cuál es la que se cocina mejor. Use siempre bolsas frescas de palomitas de maíz para obtener los mejores resultados.

Gráfico para la cocción automática

Toque AUTO COOK, gire el botón hasta que indique el alimento deseado, toque START.

NOTA: Después de un breve retraso, AUTO COOK se inicia automáticamente.

BOTÓN	PANTALLA	TAMAÑO DE LA PORCIÓN	INSTRUCCIONES
AUTO COOK			
Baked Potatoes (Papas al horno)	1-1	1 (10-13 oz [284-369 g])	<ul style="list-style-type: none"> ● Trinche con un tenedor la papa varias veces. ● Colóquela en el centro del horno, sobre una toalla de papel. ● Permita que reposen por unos 5 minutos después de la cocción.
	1-2	2 (16-20 oz [454-567 g])	
	1-3	3 (24-30 oz [680-851 g])	
	1-4	4 (32-40 oz [9-1.13 kg])	
Frozen Entree (Comidas congeladas)	2	10 oz (284 g)	<ul style="list-style-type: none"> ● Afloje la película de plástico por tres de los lados. ● Si es posible, revuélvalo al terminar la cocción. ● Mantenga cubierto y deje reposar por 3 minutos.
Frozen Vegetables (Verduras congeladas)	3-1	1 taza (250 mL)	<ul style="list-style-type: none"> ● Prepare las verduras y legumbres (lávelas y córtelas en rodajas o pedazos de ½-in [1.3 cm]). Cúbralas con película de plástico. 1 taza (250 mL) – Agregar dos cucharadas soperas (30 mL) de agua 2 tazas (500 mL) – Agregar dos cucharadas soperas (30 mL) de agua 3 tazas (750 mL) – Agregar ¼ de taza (63 mL) de agua ● La mayor parte de las verduras y legumbres necesitan reposar durante unos 2 ó 3 minutos después de la cocción.
	3-2	2 tazas (500 mL)	
	3-3	3 tazas (750 mL)	

GRÁFICOS PARA LA COCCIÓN AUTOMÁTICA (CONTINUÍA)

Gráfico para AUTO COOK (continúa)

Toque AUTO COOK, gire el botón hasta que indique el alimento deseado, **toque** START.

NOTA: Después de un breve retraso, AUTO COOK se inicia automáticamente.

BOTÓN	PANTALLA	TAMAÑO DE LA PORCIÓN	INSTRUCCIONES
AUTO COOK (continúa)			
Fresh Vegetables (Verduras y legumbres frescas)	4-1	1 taza (250 mL)	<ul style="list-style-type: none"> ● Prepare las verduras y legumbres (lávelas y córtelas en rodajas o pedazos de ½-in [1.3 cm]). Cúbralas con película de plástico. 1 taza (250 mL) – Agregar dos cucharadas soperas (30 mL) de agua 2 tazas (500 mL) – Agregar dos cucharadas soperas (30 mL) de agua 3 tazas (750 mL) – Agregar ¼ de taza (63 mL) de agua 4 tazas (1 L) – Agregar ¼ de taza (63 mL) de agua ● La mayor parte de las verduras y legumbres necesitan reposar durante unos 2 ó 3 minutos después de la cocción.
	4-2	2 tazas (500 mL)	
	4-3	3 tazas (750 mL)	
	4-4	4 tazas (1 L)	
Oatmeal, instant (Avena, instantánea)	5-1	1 taza (250 mL)	<ul style="list-style-type: none"> ● Siguiendo las instrucciones del paquete, debe prepararse en un tazón apropiado para usarse en horno de microondas. ● Revuelva después de la cocción.
	5-2	2 tazas (500 mL)	
	5-3	3 tazas (750 mL)	
	5-4	4 tazas (1 L)	

Gráfico para AUTO REHEAT

Toque AUTO REHEAT, gire el botón hasta que indique el alimento deseado, **toque** START.

NOTA: Después de un breve retraso, AUTO REHEAT se inicia automáticamente.

BOTÓN	PANTALLA	TAMAÑO DE LA PORCIÓN	INSTRUCCIONES
AUTO REHEAT			
Dinner Plate, refrigerated (Plato de mesa, refrigerado)	1-1	1 porción	<ul style="list-style-type: none"> ● Acomode los alimentos en un plato para horno de microondas. Coloque las partes carnosas y las verduras voluminosas hacia afuera del plato. ● Cúbralo con película de plástico. ● Deje una esquina destapada para la ventilación. ● Deje reposar durante unos 2 minutos después de la cocción
	1-2	2 porciones	
Casserole, refrigerated (Cacerola, refrigerada)	2-1	1 taza (250 mL)	<ul style="list-style-type: none"> ● Cubra el plato con el guisado con película de plástico. ● Si es posible, revuélvalo al terminar la cocción. ● Mantenga cubierto y deje reposar por 3 minutos.
	2-2	2 tazas (500 mL)	
	2-3	3 tazas (750 mL)	
	2-4	4 tazas (1 L)	
Beverage (Bebidas)	3-1	1 taza (250 mL)	<ul style="list-style-type: none"> ● Use un tarro o una taza seguras para el uso en un horno de microondas ● Revuelva después de recalentar.
	3-2	2 tazas (500 mL)	
Soup/Sauce (Sopa/Salsa)	4-1	1 taza	<ul style="list-style-type: none"> ● Use un tazón seguro para el uso en un horno de microondas ● Cubra el plato con película de plástico. ● Revuelva después de recalentar. ● Mantenga cubierto y deje reposar por 3 minutos.
	4-2	2 tazas	
Pizza Slice, refrigerated (Rebanada de pizza, refrigerada)	5-1	1 rebanada (5 oz [127 g])	<ul style="list-style-type: none"> ● Coloque la pizza refrigerada en un plato en el centro del horno de microondas.
	5-2	2 rebanadas (10 oz [284 g])	
Bagel (Rosquilla)	6-1	1 (2 oz [58 g])	<ul style="list-style-type: none"> ● Coloque en el centro del horno sobre una toalla de papel.
	6-2	2 (4 oz [114 g])	
	6-3	3 (6 oz [170 g])	
	6-4	4 (8 oz [227 g])	

CÓMO USAR AUTO DEFROST (DESCONGELACIÓN AUTOMÁTICA)

Usted puede descongelar alimentos eligiendo un tipo y fijando un peso. AUTO DEFROST dispone de tiempos y de intensidades de cocción predeterminadas para 3 clases: Carne, aves y pescado.

1. Toque AUTO DEFROST.

Una vez para Carne (dEF1), dos veces para Aves (dEF2), tres veces para Pescado (dEF3).

2. Gire el botón selector hasta que indique el peso deseado (de .1 a 6.0 lb) [de 45g a 2.7kg].

NOTA: Después de un breve retraso, la pantalla mostrará "Strt".

3. Toque START.

4. Se escucharán 5 señales audibles durante la descongelación. Estas señales le indican cuándo se debe comprobar, voltear, separar o reacomodar los alimentos. Toque START para encender nuevamente el horno de microondas.

5. Al final del tiempo de descongelación:

Aparecerá "End" en la pantalla y se escucharán tres señales audibles.

NOTA: Para descongelar alimentos que no aparecen enumerados en el gráfico de Auto defrost, use la intensidad de cocción de 30%. Para obtener más información acerca de la descongelación vea algún libro de cocina confiable.

Tabla de conversión de peso

Probablemente usted esté acostumbrado(a) al peso de los alimentos en libras y onzas, que son fracciones de una libra (por ejemplo, 4 onzas equivalen a $\frac{1}{4}$ libra [113.4 g]).

Si el peso que se muestra en el paquete de los alimentos está expresado en fracciones de una libra, usted puede usar la tabla siguiente para convertir el peso a decimales.

EQUIVALENCIA DE PESOS			
SISTEMA MÉTRICO			
ONZA	DECIMAL (g)	PESO EN DECIMALES	
1.6	45.4	.10	
3.2	90.7	.20	
4.0	113.4	.25	Un cuarto de libra
4.8	136.1	.30	
6.4	181.4	.40	
8.0	226.8	.50	Media libra
9.6	272.2	.60	
11.2	317.5	.70	
12.0	340.2	.75	Tres cuartos de libra
12.8	362.9	.80	
14.4	408.2	.90	
16.0	453.6	1.00	Una libra

CONSEJOS PARA LA DESCONGELACIÓN

- **Antes de comenzar**, asegúrese de que ha quitado todas las ataduras de alambre revestido que vienen con frecuencia en las bolsas de alimentos congelados y reemplácelas con hilo o bandas elásticas.
- **Abra los recipientes**, como serían las cajas, antes de ponerlos en el horno.
- **Siempre corte** o perforo las bolsas o paquetes de plástico.
- **Si el alimento está envuelto con papel de aluminio**, quite el papel de aluminio y coloque el alimento en un recipiente apropiado.
- **Corte** la piel, si hay alguna, en alimentos congelados tales como salchichas.
- **Doble** las bolsas plásticas con alimentos para asegurar una descongelación pareja.
- **Siempre calcule menos** tiempo de descongelación. Si el alimento está todavía congelado en el centro, vuélvalo a colocar en el horno de microondas para continuar la descongelación.
- **El tiempo** de descongelación varía según el grado de congelación del alimento.
- **La forma del paquete** altera el tiempo de descongelación. Los paquetes poco profundos se descongelan más rápido que los bloques grandes.
- **Separe las piezas cuando los alimentos empiezan a descongelarse**. Las piezas separadas se descongelan en forma más pareja.

- **Usted puede usar pequeños trozos de papel de aluminio** para proteger los alimentos como alas de pollo, puntas de las patas de pollo y colas de pescado o algunas otras zonas que pueden empezar a calentarse. Cerciórese que el papel de aluminio no toque el costado, la parte superior y la parte inferior del horno. El aluminio puede dañar el revestimiento del horno.
- **Para óptimos resultados**, deje reposar los alimentos después de la descongelación. (Para mayor información sobre el tiempo de reposo, vea “Consejos para cocinar con el horno de microondas” en la sección “Guía para cocinar”).
- **Rote los alimentos** durante la descongelación o el período de reposo. Separe los trozos y saque el alimento a medida que sea necesario.

CÓMO USAR JET START (COCCIÓN JET)

JET START le permite cocinar alimentos durante 30 segundos al 100% de la intensidad máxima de cocción, o en caso contrario, usted puede utilizarlo durante cualquier programación manual para agregar incrementos de 30 segundos.

NOTAS:

- Cada vez que **toque** JET START, se agregarán 30 segundos de tiempo.
- Únicamente se podrá activar JET START después de cerrar la puerta o después de **tocar** OFF / CANCEL.
- Usted puede utilizar el botón selector para aumentar o reducir el tiempo de cocción durante una programación manual.

1. Cerciórese que hay alimentos en el horno.

2. Toque JET START

(cada toque adicional agregará 30 segundos al tiempo de cocción, hasta un total de 10 minutos).

3. Al final del tiempo de cocción:

Habrán tres señales audibles y la pantalla mostrará “End”.

CÓMO USAR LA OPCIÓN WARM HOLD (MANTENER CALIENTE)

Los alimentos cocinados calientes se pueden conservar calientes en el horno de microondas hasta por 99 minutos, 99 segundos con toda seguridad.

NOTAS:

- Warm Hold funciona hasta por 99 min. y 99 seg.
- Durante Warm Hold todos los alimentos cocinados deberán mantenerse tapados.
- Los productos de repostería (pasteles, empanadas, etc.) deberán destaparse durante Warm Hold.
- Las comidas completas que se desean mantener calientes en un plato de mesa deberán mantenerse tapadas durante Warm Hold.
- Nunca use más de un ciclo de Warm Hold. Si se usa repetidamente, la calidad de algunos alimentos puede deteriorarse.

1. Coloque los alimentos cocinados calientes en el horno y cierre la puerta.

2. Toque OPTIONS.

3. Gire el botón selector hasta que indique “Hold”.

NOTA: Después de un breve retraso, la pantalla mostrará “Strt”.

4. Toque START. La pantalla mostrará “Hold”.

5. Abra la puerta o toque OFF / CANCEL para cancelar WARM HOLD.

GUÍA PARA COCINAR

CONSEJOS PARA COCINAR CON EL HORNO DE MICROONDAS

Cantidad de alimentos

- **Si usted aumenta o disminuye** la cantidad de alimentos que prepara, el tiempo requerido para cocinarlos también cambiará. Por ejemplo, si usted usa el doble de una receta, agregue un poco más de la mitad del tiempo de cocción original. Verifique si está cocido y, si es necesario, agregue más tiempo en incrementos pequeños.

Temperatura inicial del alimento

- **Cuanto menor es la temperatura** del alimento que usted coloca en el horno de microondas, mayor será el tiempo requerido para su cocción. Los alimentos a temperatura ambiente se recalentarán más rápido que los alimentos que están a la temperatura del refrigerador.

Composición del alimento

- **Los alimentos con mucha grasa o azúcar** se calentarán más rápido que los alimentos con alto contenido de agua. La grasa y el azúcar alcanzan una temperatura más alta que el agua durante el proceso de cocción.
- **Cuanto más denso es el alimento**, mayor es el tiempo requerido para calentarlo. Alimentos “muy densos” como las carnes necesitan más tiempo para recalentarse que los alimentos más livianos o más porosos como pasteles esponjosos.

Forma y tamaño

- **Las piezas más pequeñas de alimento** se cocinarán más rápido que las piezas más grandes y piezas con la misma forma se cocinarán en forma más pareja que los alimentos con forma irregular.
- **En los alimentos con gruesos diferentes**, las partes más delgadas se cocinarán más rápido que las partes más gruesas. **Coloque** las partes más delgadas de las alas y patas de pollo en el centro del plato.

Rotación y agitación de alimentos

- **Cuando usted rota o revuelve los alimentos**, el calor se distribuye rápidamente al centro del plato y evita que los bordes del alimento se recocinen.

Tapando los alimentos

Tape los alimentos para:

- **Reducir** salpicaduras
- **Acortar** los tiempos de cocción
- **Retener** la humedad de los alimentos

Todas las tapas que permiten pasar las microondas son adecuadas. Para más información acerca de los materiales que permiten el paso de las microondas, ver la sección “Conozca su horno de microondas”.

Liberación de la presión de los alimentos

- **Muchos alimentos** (por ejemplo; papas al horno, salchichas, yemas de huevo y algunas frutas) están cubiertos por una piel o membrana apretada. Esto puede causar que los alimentos estallen por la acumulación de vapor bajo la membrana mientras se cocinan. Para aliviar la presión y prevenir los estallidos, **trinche** estos alimentos con un tenedor o un palillo de dientes antes de cocinarlos.

Tiempo de reposo

- **Siempre deje reposar los alimentos por un rato** después de cocinar. El período de reposo después de cocinar, descongelar o recalentar siempre mejora el resultado ya que la temperatura se distribuye en forma pareja a través del alimento.
- **El intervalo del tiempo de reposo** depende del volumen y la densidad del alimento. A veces puede ser tan corto como el tiempo que le lleva sacar los alimentos del horno y servirlos en la mesa. Sin embargo, con alimentos más voluminosos y más densos, el intervalo de tiempo de reposo puede ser tan largo como 10 minutos.

Distribución de los alimentos

Para resultados óptimos, distribuya los alimentos en forma pareja sobre el plato. Usted puede hacer esto de varias maneras:

- **Si usted está cocinando varias piezas del mismo tipo de alimento**, como papas al horno, colóquelas en forma de anillo para una cocción uniforme.
- **Cuando cocina alimentos con forma o espesor irregular, tales como pechugas de pollo, coloque** las partes más pequeñas y delgadas hacia el centro del plato donde se calentarán en último lugar.
- **Apile las rodajas delgadas de carne** una sobre otra.
- **Cuando usted cocina o recalienta pescados enteros, haga** un corte en la piel - esto evita que se quiebre.
- **No deje** que los alimentos o los recipientes toquen el techo o los costados del horno. Esto evitará la posible formación de chispas.

CONSEJOS PARA COCINAR CON EL HORNO DE MICROONDAS (CONTINÚA)

Uso de papel de aluminio

No deben usarse recipientes de metal en el horno de microondas. Sin embargo, hay algunas excepciones. Si usted ha comprado alimentos que están pre-empaquetados en un recipiente de papel de aluminio, siga las instrucciones del paquete. Si usa recipientes de papel de aluminio, los tiempos de cocción pueden ser más largos porque las microondas penetrarán sólo la parte superior del alimento.

Si usted usa recipientes de aluminio que no tienen instrucciones en el paquete, siga las siguientes indicaciones:

- **Coloque** el recipiente en un tazón de vidrio y agregue un poco de agua para que cubra la base del recipiente, a no más de $\frac{1}{4}$ de pulgada (6.4 mm) de alto. Esto asegura un calentamiento parejo en la base del recipiente.
- **Siempre quite** la tapa para evitar que el horno se dañe.
- **Use sólo** recipientes que no están dañados.
- **No use** recipientes más altos de $\frac{3}{4}$ de pulgada (19 mm).
- **El recipiente debe estar** lleno hasta la mitad.
- **Para evitar que se formen chispas**, debe haber como mínimo $\frac{1}{4}$ de pulgada (6 mm) entre el recipiente de aluminio y las paredes del horno lo mismo que entre dos recipientes de aluminio.
- **Siempre coloque** el recipiente sobre la bandeja giratoria.
- **El recalentamiento de alimentos** en recipientes de papel de aluminio lleva el doble de tiempo que recalentarlos en recipientes de plástico, vidrio, porcelana o papel. El tiempo requerido para que los alimentos estén listos depende del tipo de recipiente que usted usa.
- **Deje reposar los alimentos** por 2 ó 3 minutos después de calentar para que el calor se distribuya en forma pareja a través del recipiente.

Lo que usted no debe cocinar en su horno de microondas

- **No envase** alimentos en el horno. Los frascos de vidrio cerrados pueden explotar, resultando en daños al horno.
- **No use** el horno de microondas para esterilizar objetos (mamaderas, etc.). Es difícil mantener la temperatura alta requerida para una esterilización segura.

EL CUIDADO DE SU HORNO DE MICROONDAS

Para asegurarse que su horno de microondas luzca bien y funcione bien por mucho tiempo, usted debe mantenerlo adecuadamente. Para un cuidado correcto, por favor siga estas instrucciones cuidadosamente.

Para superficies internas: Lave a menudo con agua tibia jabonosa y una esponja o paño suave. Use sólo jabones suaves, no abrasivos o detergentes suaves. **Asegúrese de mantener limpias las áreas donde la puerta y el marco del horno se tocan cuando está cerrado.** Limpie bien con agua limpia. Después de un tiempo pueden aparecer manchas sobre las superficies como resultado de salpicaduras con partículas de alimentos durante la cocción. Esto es normal.

Para manchas difíciles, **hierva** una taza (250 mL) de agua en el horno durante 2 ó 3 minutos. El vapor ablandará la suciedad. Para eliminar olores dentro del horno, **hierva** una taza de agua (250 mL) con jugo de limón o vinagre.

Para superficies externas y el panel de controles: Use un paño suave con limpiador de vidrios en aerosol. Aplique el limpiador de vidrios en aerosol sobre el paño suave; no rocíe directamente sobre el horno.

NOTA: Limpiadores abrasivos, esponjas de lana de acero, esponjas ásperas, algunas toallas de papel, etc., pueden dañar el panel de controles y las superficies internas y externas del horno.

Para limpiar la bandeja giratoria y el soporte de la bandeja giratoria, lave con una solución jabonosa suave; para áreas muy sucias **use** un limpiador suave y un estropajo. La bandeja giratoria y el soporte de la bandeja giratoria se pueden lavar en una lavadora de platos.

PREGUNTAS Y RESPUESTAS

PREGUNTAS	RESPUESTAS
¿Puedo operar mi horno de microondas sin la bandeja giratoria o voltear la bandeja giratoria para acomodar un plato más grande?	No. Si usted saca o da vuelta a la bandeja giratoria, usted tendrá resultados pobres en la cocción. Los platos usados en su horno deben caber en la bandeja giratoria.
¿Puedo usar un estante en mi horno de microondas para recalentar o cocinar en dos niveles al mismo tiempo?	Usted puede usar un estante sólo si el estante es provisto con su horno de microondas. Si usa cualquier estante no provisto con el horno de microondas, la eficiencia de la cocción puede ser muy pobre y se pueden producir chispas.
¿Puedo usar bandejas de metal o aluminio en mi horno de microondas?	Usted puede usar papel de aluminio para protección (use trozos pequeños y planos), brochetas pequeñas y bandejas planas de aluminio (si la bandeja tiene una profundidad de $\frac{3}{4}$ de pulgada [19 mm] y está a medio llenar con alimentos para absorber la energía de microondas). Nunca deje que el metal toque las paredes o la puerta.
¿Es normal que la bandeja giratoria gire en ambas direcciones?	Sí. La bandeja giratoria rota en el mismo sentido de las agujas del reloj o en sentido inverso, dependiendo de la rotación del motor cuando el ciclo de cocción comienza.
A veces la puerta de mi microondas parece ondulada. ¿Es esto normal?	Esta apariencia es normal y no afecta la operación de su horno.
¿Qué son los zumbidos que escucho cuando el horno de microondas está funcionando?	Usted escucha el sonido del transformador cuando el tubo del magnetrón comienza los ciclos.
¿Por qué el plato se calienta cuando cocino alimentos en él? Yo creí que esto no pasaría.	Cuando los alimentos se calientan, éstos transfieren el calor al plato. Prepárese para usar guantes para horno para sacar los alimentos después de la cocción.
¿Qué significa “intervalo de tiempo de reposo?”	“Intervalo de tiempo de reposo” significa que los alimentos deben ser sacados del horno y quedar tapados por un tiempo adicional para permitir que la cocción se complete. Esto libera el horno para cocinar otras cosas.
¿Por qué sale vapor de la rejilla de ventilación?	El vapor se produce normalmente durante la cocción. El horno de microondas ha sido diseñado para ventilar el vapor por las rendijas.
¿Puedo hacer palomitas de maíz en mi horno de microondas? ¿Cómo obtengo los mejores resultados?	Sí. Haga palomitas de maíz pre-empaquetadas siguiendo las instrucciones del fabricante o use el botón preprogramado POPCORN. No use bolsas de papel común. Use la “prueba de sonido” parando el horno en cuanto los estallidos son más espaciados hasta que hay uno cada uno o dos segundos. No haga estallar granos de maíz que no han reventado. No haga palomitas de maíz en utensilios de vidrio.

DIAGNÓSTICO Y SOLUCIÓN DE PROBLEMAS

La mayoría de los problemas al cocinar son causados por pequeñas cosas que usted puede encontrar y arreglar sin herramientas de ningún tipo. Revise la lista de abajo y en la página siguiente antes de pedir ayuda o servicio. Si usted aún necesita ayuda, vea la sección “Cómo pedir ayuda o servicio”.

SI EL HORNO DE MICROONDAS NO FUNCIONA, PRIMERO VERIFIQUE LO SIGUIENTE:

- ¿Está el horno de microondas enchufado en un tomacorriente activo con el voltaje apropiado? (Vea Instrucciones para la instalación).
- ¿Se ha quemado algún fusible en la casa o se ha disparado el disyuntor?
- ¿Ha habido una interrupción en el suministro de electricidad?

OTROS PROBLEMAS POSIBLES Y SUS CAUSAS:

PROBLEMA	CAUSA
El horno de microondas no funciona.	<ul style="list-style-type: none">● La puerta no está correctamente cerrada o asegurada.● Usted no tocó START.● Usted no siguió las instrucciones con exactitud.● Alguna operación que se programó con anterioridad todavía está activa.● Usted no ha marcado los números después de tocar COOK TIME.
Los tiempos de cocción con microondas parecen demasiado largos.	<ul style="list-style-type: none">● El suministro de electricidad en su casa o en los tomacorrientes es bajo o más bajo que lo normal. Su compañía de electricidad le puede decir si el voltaje de la línea es bajo. Su electricista o técnico de servicio le puede decir si el voltaje del tomacorriente es bajo.● La intensidad de cocción no está programada correctamente.● Cantidades más grandes de alimento necesitan más tiempo para cocinarse.
La bandeja giratoria no gira.	<ul style="list-style-type: none">● La bandeja giratoria no está en el lugar correcto. Asegúrese de que el lado correcto de la bandeja giratoria está hacia arriba y que está asegurada en el eje central.● El soporte no está funcionando correctamente. Saque la bandeja giratoria, verifique si el soporte de la bandeja giratoria está en el lugar correcto y ponga a funcionar el horno nuevamente. Si el soporte de la bandeja no se mueve, llame a un técnico designado para que lo repare. Si cocina sin la bandeja los resultados serán muy pobres.
La pantalla muestra la cuenta regresiva pero el horno no está cocinando.	<ul style="list-style-type: none">● La puerta del horno no está completamente cerrada.● Usted programó los controles como temporizador. Toque OFF /CANCEL para cancelar el temporizador.
Usted no escucha el sonido de programación.	<ul style="list-style-type: none">● El comando no es correcto.
El ventilador parece más lento de lo normal.	<ul style="list-style-type: none">● El horno ha sido puesto en un lugar frío. El ventilador funcionará más lentamente hasta que el horno se caliente a la temperatura ambiente normal.
La pantalla muestra “ : ”.	<ul style="list-style-type: none">● Ha habido una interrupción en el suministro de electricidad. Vuelva a programar el reloj.

Si ninguna de estas es la causa del problema, vea la sección “Cómo pedir ayuda o servicio” en la página 24.

CÓMO PEDIR AYUDA O SERVICIO

Antes de llamar para pedir ayuda o servicio, por favor revise la sección “Diagnóstico y solución de problemas”. Esto puede ahorrarle el costo de una visita de servicio. Siga las instrucciones que aparecen a continuación si considera que aún necesita ayuda.

SI USTED NECESITA AYUDA O SERVICIO

Llame al Centro de Atención a Clientes Whirlpool al número sin cargo 1-800-253-1301. Nuestros consultores están disponibles para ayudarle.



Cuando nos llame:

Por favor, provea los números de modelo y de serie completos de su aparato electrodoméstico y la fecha de compra. (Vea la sección “Un mensaje para usted”). Esta información nos ayudará a responder correctamente a su pedido.

Nuestros consultores pueden ayudar con:

- Información acerca de las características y especificaciones de nuestra gama de productos completa
- Información acerca de la instalación

- Los procedimientos para el uso y el mantenimiento
- Venta de accesorios y partes para reparaciones.
- Ayuda especializada a nuestros clientes (Hablar español, personas que tienen algún impedimento auditivo o de la vista, etc.)
- Referencias a distribuidores, compañías de servicio y distribuidores de partes de repuesto locales.

Los técnicos designados de servicio Whirlpool están entrenados para cumplir con la garantía del producto y brindar servicio después del vencimiento de la garantía en cualquier sitio de los Estados Unidos.

Para ubicar la compañía de servicio Whirlpool designada en su área, puede usted consultar la sección de Páginas Amarillas de su directorio telefónico.

SI REQUIERE DE MÁS AYUDA

Si usted requiere de ayuda adicional, puede consultar sus dudas o inquietudes a Whirlpool, escribiéndonos a:

Whirlpool Brand Home Appliances
Consumer Assistance Center
c/o Correspondence Dept.
2000 North M-63
Benton Harbor, MI 49022-2692

Sírvase incluir en su correspondencia un número telefónico al que le podamos llamar durante el día.

GARANTÍA

HORNO DE MICROONDAS WHIRLPOOL®

VALIDEZ DE LA GARANTÍA	WHIRLPOOL CORPORATION PAGARÁ POR
GARANTÍA TOTAL POR UN AÑO DESDE LA FECHA DE COMPRA	Repuestos y trabajo para corregir defectos de material o mano de obra FSP®. El servicio debe ser provisto por una compañía de servicio designada por Whirlpool.
GARANTÍA LIMITADA POR CUATRO AÑOS DESDE EL SEGUNDO HASTA EL QUINTO AÑO DESDE LA FECHA DE COMPRA	Reemplazo del tubo del magnetrón en hornos de microondas si hay defectos en los materiales o mano de obra FSP.
WHIRLPOOL CORPORATION NO PAGARÁ POR:	
<p>A. Llamadas de servicio para:</p> <ol style="list-style-type: none"> 1. Corregir la instalación de su horno de microondas. 2. Darle instrucciones para usar su horno de microondas. 3. Reemplazar fusibles en su casa o corregir la instalación eléctrica. 4. Reemplazar bombillas de luz de fácil acceso al dueño. <p>B. Reparaciones cuando el horno de microondas no se usa de una forma normal y para uso de una sola familia.</p> <p>C. Servicio a domicilio. Su horno de microondas debe ser llevado a una compañía de servicio designada por Whirlpool, exceptuando los hornos instalados encima de hornos autorizados por Whirlpool utilizando un juego de accesorios para empotrar autorizado (Ver la sección “Juegos de accesorios para empotrar” para consultar la lista de juegos de accesorios para empotrar autorizados).</p> <p>D. Daños a su horno de microondas causados por accidente, mal uso, incendio, inundación, catástrofes naturales o uso de productos no autorizados por Whirlpool.</p> <p>E. Cualquier costo de mano de obra durante la garantía limitada.</p> <p>F. Reparaciones a piezas o sistemas causadas por modificaciones hechas al aparato electrodoméstico.</p>	

3/99

WHIRLPOOL CORPORATION NO SE HARÁ RESPONSABLE POR DAÑOS IMPREVISTOS O CONSECUENCIALES. Algunos estados no permiten la exclusión o limitación de daños imprevistos o consecuenciales, por lo cual esta exclusión o limitación podría no ser aplicable en su caso. Esta garantía le da derechos legales específicos y usted puede tener otros derechos que varían de un estado a otro.

Es posible que una garantía diferente sea aplicable fuera de los Estados Unidos. Para más detalles, por favor contacten a su distribuidor Whirlpool autorizado.

Si usted necesita servicio, primero vea la sección “Diagnóstico y solución de problemas” en este libro. Luego de verificar “Diagnóstico y solución de problemas”, usted puede encontrar ayuda adicional en la sección “Cómo pedir ayuda o servicio”. Llame a nuestro Centro de Ayuda a Clientes al **1-800-253-1301** desde cualquier parte de los Estados Unidos.