

PARTS LIST

for



MICROWAVE HOOD COMBINATION

**MODEL
MH6600XM-2**



FOR CUSTOMER SATISFACTION ALWAYS USE
FACTORY SPECIFICATION PARTS

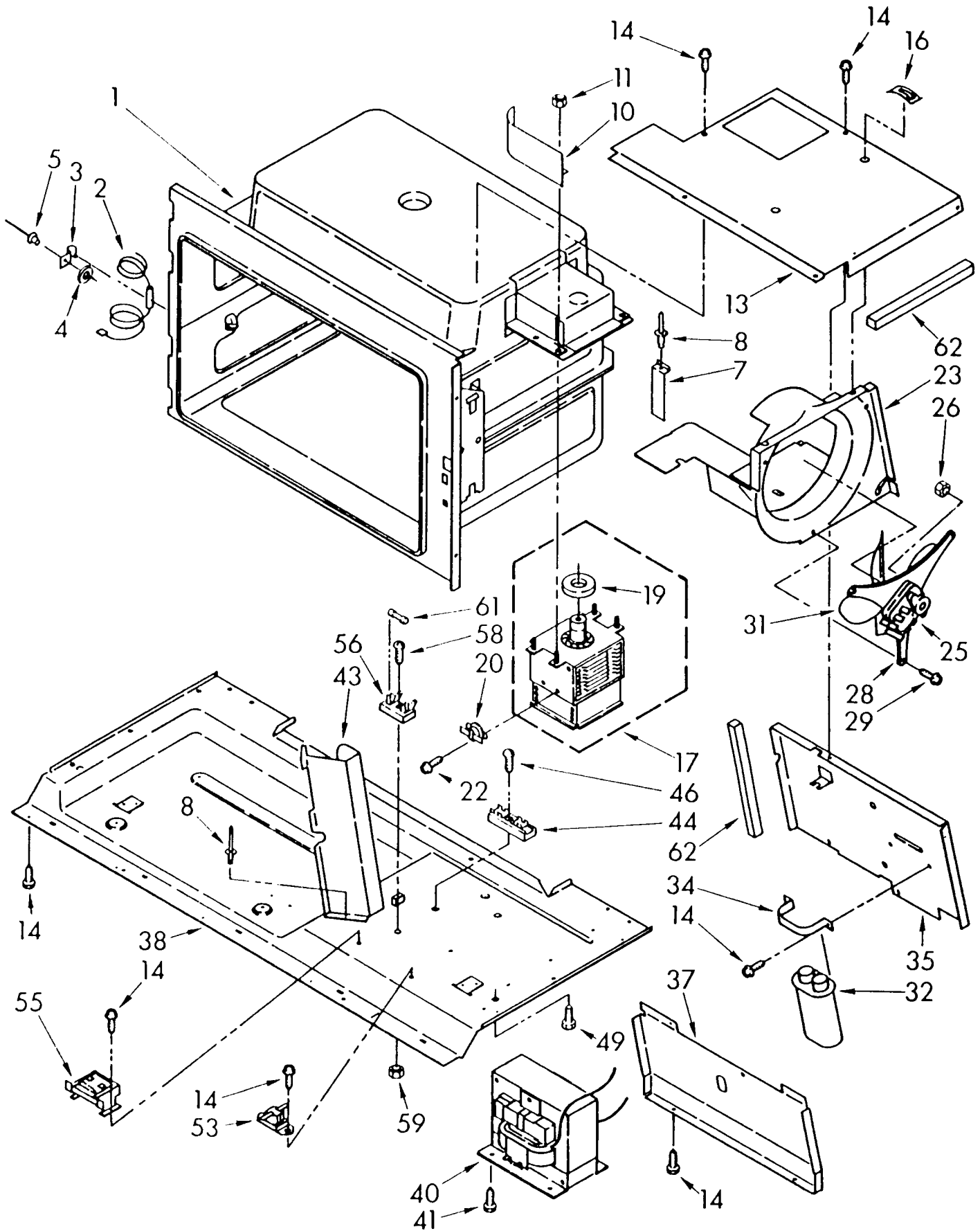


Whirlpool CORPORATION
Benton Harbor, Michigan.

© 1988 WHIRLPOOL CORPORATION

MAGNETRON AND AIR FLOW PARTS

For Model: MH6600XM-2



FOR ORDERING INFORMATION REFER TO PARTS PRICE LIST

1		Cavity Assembly (Not Serviceable)
2	788511	Protector, Thermal (Cavity)
3	788522	Clip
4	788143	Washer
5	788142	Pop Rivet
7	788145	Deflector, Air
8	788144	Pop Rivet (8)
10	788146	Baffle, Waveguide
11	788104	Nut, 5mm (4)
13	788456	Top, Component Cover
14	788110	Screw, 8AB x 3/8 Slotted Hex Head (24)
16	788148	Clip, Retainer (2)
17	788438	Magnetron (Includes Illus. 19)
19	788056	Gasket, Magnetron
20	788150	Protector, Thermal (Magnetron)
22	788107	Screw, 3mm (2)
23	788458	Duct, Magnetron
25	788152	Motor, Blower
26	788153	Nut, 6-32 (2)
28	788154	Bracket, Blower
29	788155	Screw, 8-18 x 1/2 (3)
31	788156	Fan Blade
32	788450	Capacitor/Diode
34	788158	Bracket, Capacitor
35	788159	Cover, Rear Top
37	788160	Cover, Rear Bottom
38		Base (Not Serviceable)
40	788498	Transformer
41	788117	S\cr\ew, 10-32 x 3/8 Hex Washer Head (4)
43	788162	Reflector, Light
44	788163	Block, Terminal
46	788164	Screw, 8B x 3/8
49	788113	Screw, 8-32 x 3/8 Phillips Pan Head
53	788535	Switch, Thermal
55	788166	Ballast, Light
56	788082	Holder, Fuse
58	788112	Screw, 4-40 x 1/4 Phillips Pan Head
59	788099	Nut, 4-40
61	788133	Fuse (15 Amp)
62	788174	Foam Seal

LITERATURE AND OPTIONAL PARTS

OPTIONAL PARTS NOT INCLUDED

PAINT, TOUCH UP (1/2 oz.)

832899 Cord Brown

PAINT, PRESSURIZED SPRAY (13 OZ.)

830881 Cord Brown

SEALER (3 OZ.)

482338 Sealer, Silastic

ACCESSORY PARTS

788000 RCH6000 Recirculating Kit

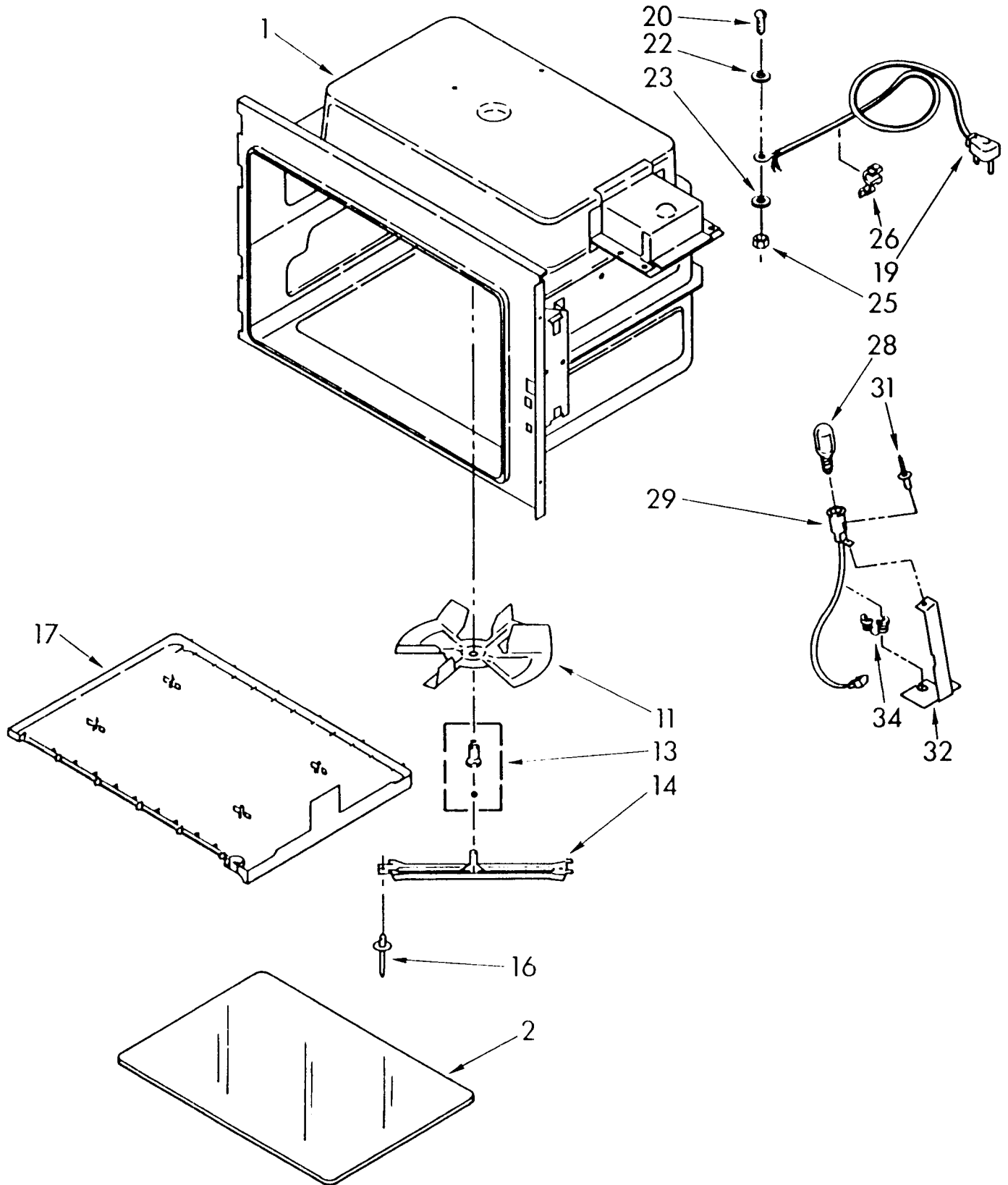
788001 RCK600 Filler Kit

LITERATURE PARTS

LIT788551 Guide, Use & Care
LIT788010 Instructions, Installation
LIT788016 Cookbook
LIT788555 List, Repair Parts

CAVITY AND STIRRER PARTS

For Model: MH6600XM-2

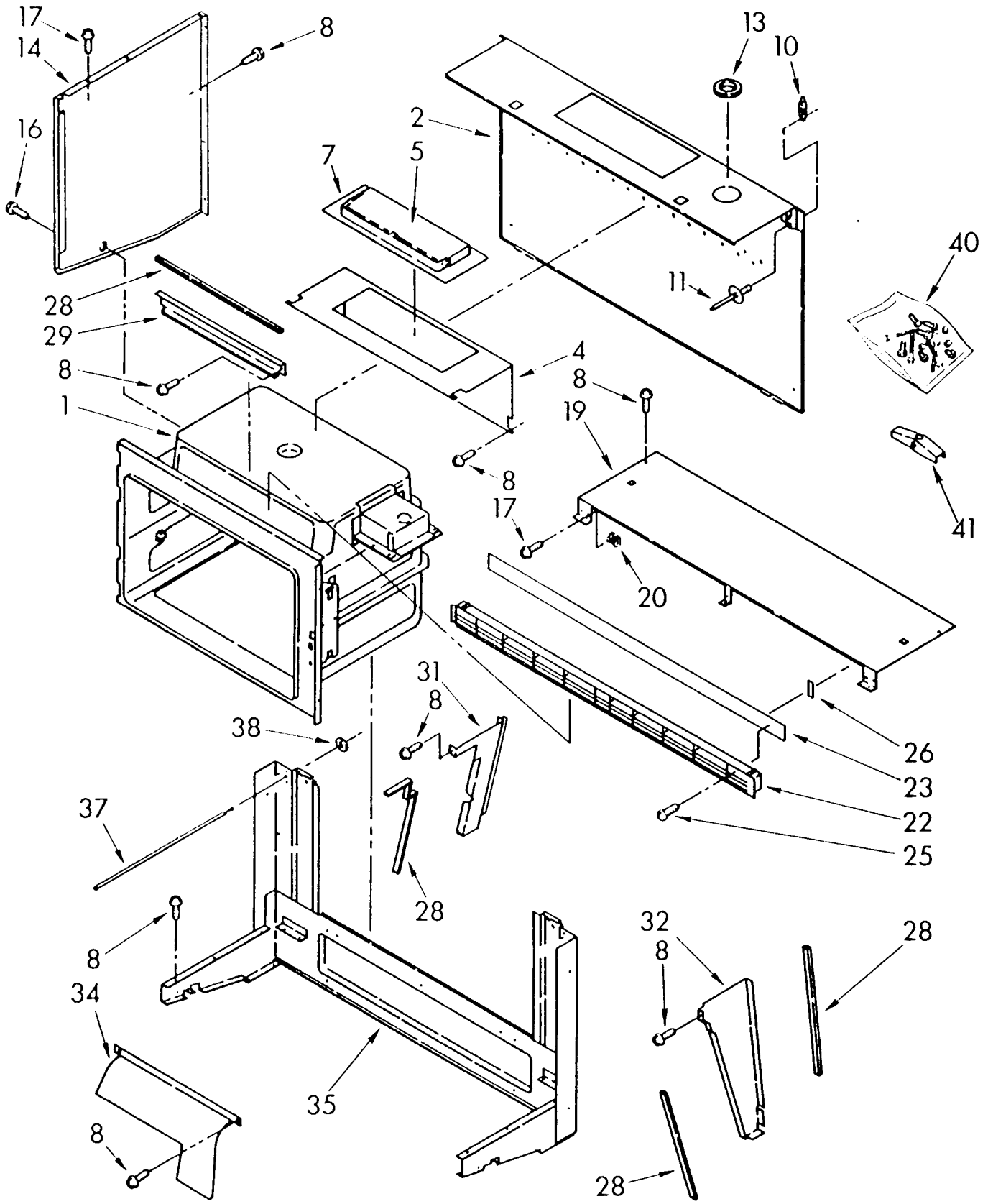


FOR ORDERING INFORMATION REFER TO PARTS PRICE LIST

1		Cavity Assembly (Not Serviceable)
2	788518	Shelf (Order Sealant Part No. 482338 For Installation Of Shelf)
11	788439	Blade, Stirrer
13	788048	Insert, Stirrer (Includes Bearing)
14	788170	Support Bar, Stirrer
16	788093	Rivet
17	788526	Cover, Stirrer
19	788454	Cord, Power
20	788111	Screw, 8-32 x 3/8
22	788096	Washer, #8
23	788097	Lockwasher, #8
25	788098	Nut, 8-32
26	788173	Relief, Strain
28	788357	Lamp (40 Watt)
29	788519	Socket, Lamp
31	788144	Rivet
32	788177	Slide, Lamp
34	788178	Relief, Strain

CABINET PARTS

For Model: MH6600XM-2

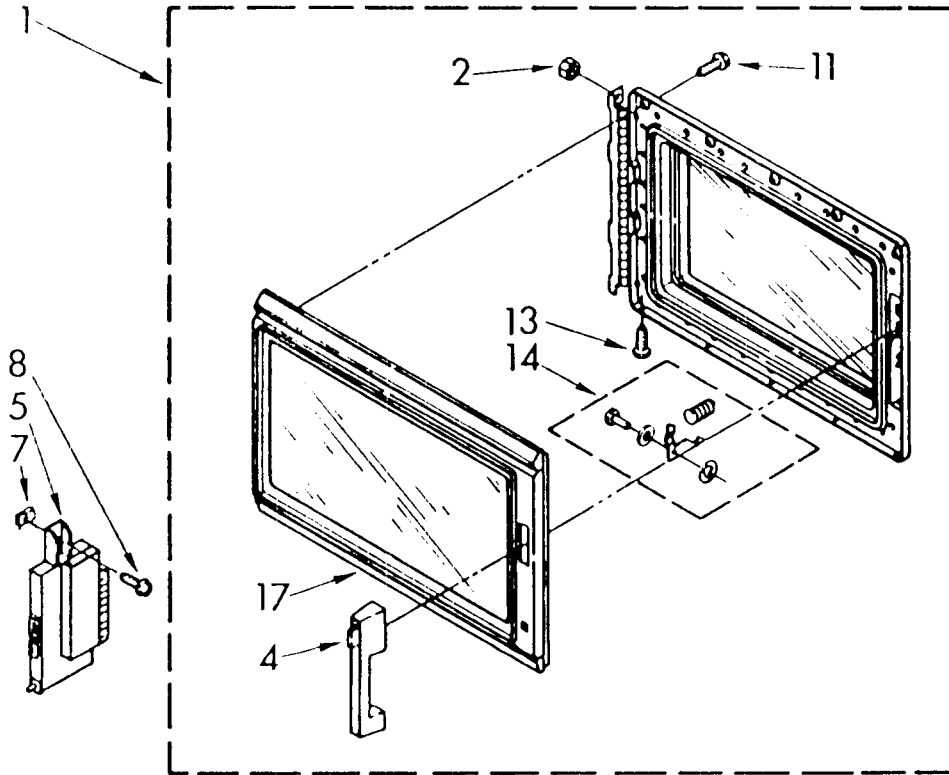


FOR ORDERING INFORMATION REFER TO PARTS PRICE LIST

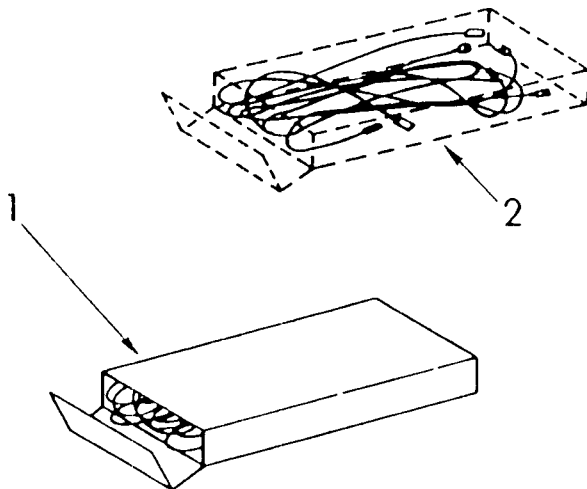
1		Cavity Assembly (Not Serviceable)
2	788183	Support, Back (Includes Illus. 4, 5, 7, 10 & 13)
4	788184	Support, Damper
5	788185	Shutter, Damper
7	788538	Frame, Damper
8	788110	Screw, 8AB x 3/8 Slotted Hex Head (35)
10	788187	Receptacle
11	788188	Rivet
13	788189	Bushing, Power Cord
14		Side Panel
	788494	Left Side
	788493	Right Side
16	788192	Screw, 8AB x 3/8 (2)
17	788193	Screw, 8AB x 3/4 (8)
19	788194	Filler, Top
20	788195	Nut, Cage 1/4-20 (2)
22	788196	Grille, Vent
23	788197	Filter, Vent Grille
25	788198	Screw, 8AB x 1-1/4 (3)
26	788199	Retainer, Filter (3)
28	788174	Foam, Seal
29	788200	Cover, Baffle Exhaust
31	788201	Baffle, Left Exhaust
32	788202	Baffle, Right Exhaust
34	788203	Baffle, Rear Exhaust
35	788204	Support, Lower
37	788205	Extension, 1/4 Turn Rod
38	788206	Retainer, 1/4 Turn Rod Extension
40	788242	Installation Hardware (Includes Templates)
41	788272	Nut, Toggle (Metal)

DOOR AND LATCH PARTS

For Model: MH6600XM-2



WIRING HARNESS PARTS

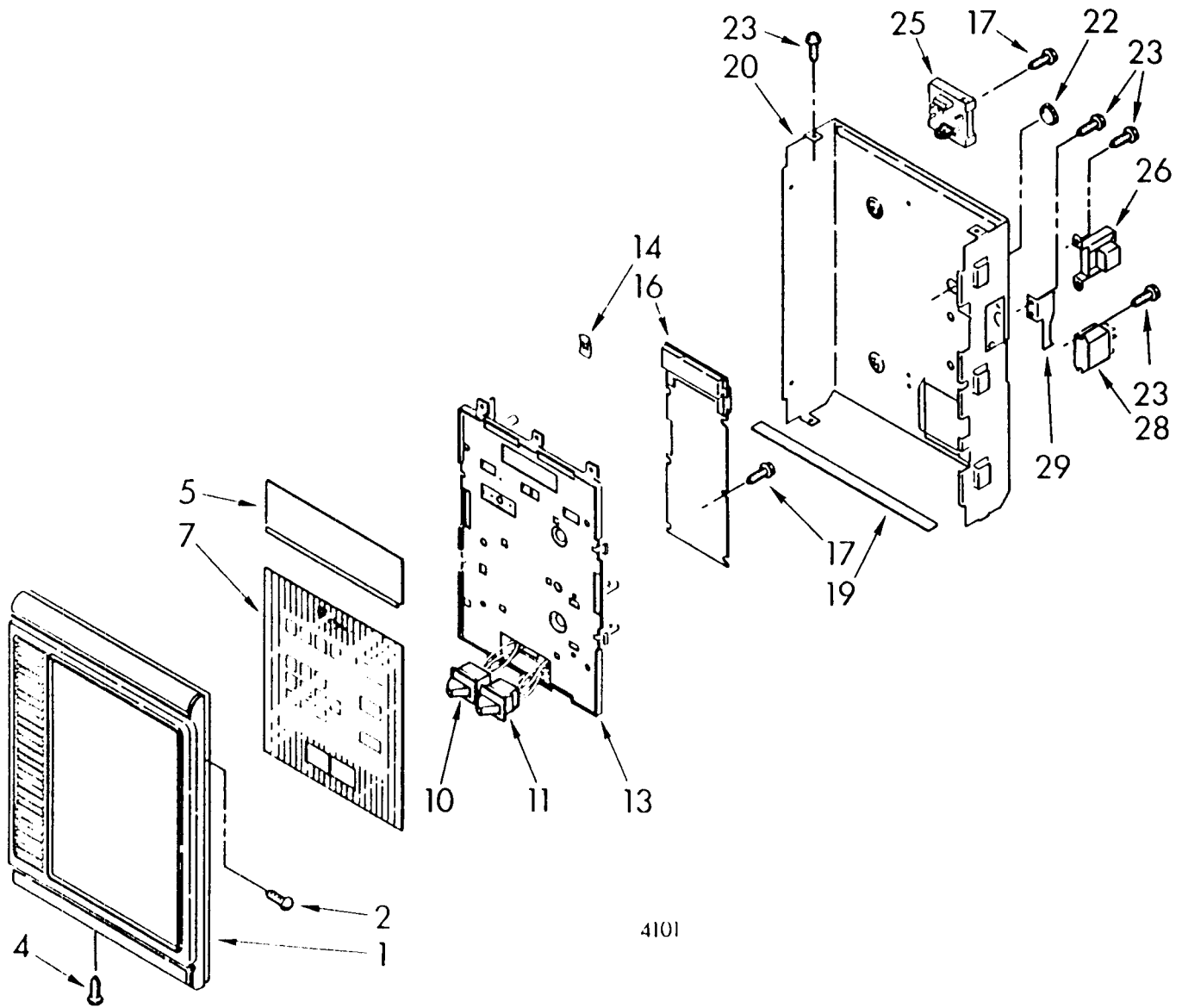


FOR ORDERING INFORMATION REFER TO PARTS PRICE LIST

1	788445	Door, Complete
2	788225	Nut, 10-32 (14)
4	788446	Handle
5	788543	Module, Interlock Switch
7	788102	Clip, Switch Mounting (2)
8	788115	Screw, 8-32 x 1/2 Hex Head (2)
11	788256	Screw, 6-18 x 1/4 (5)
13	788192	Screw, 8AB x 3/8 (5)
14	788257	Door Latch
17	788444	Door, Outer
1	788552	Complete Wiring Harness
2	788042	High Voltage Lead Kit (Magnetron)

CONTROL PANEL PARTS

For Model: MH6600XM-2



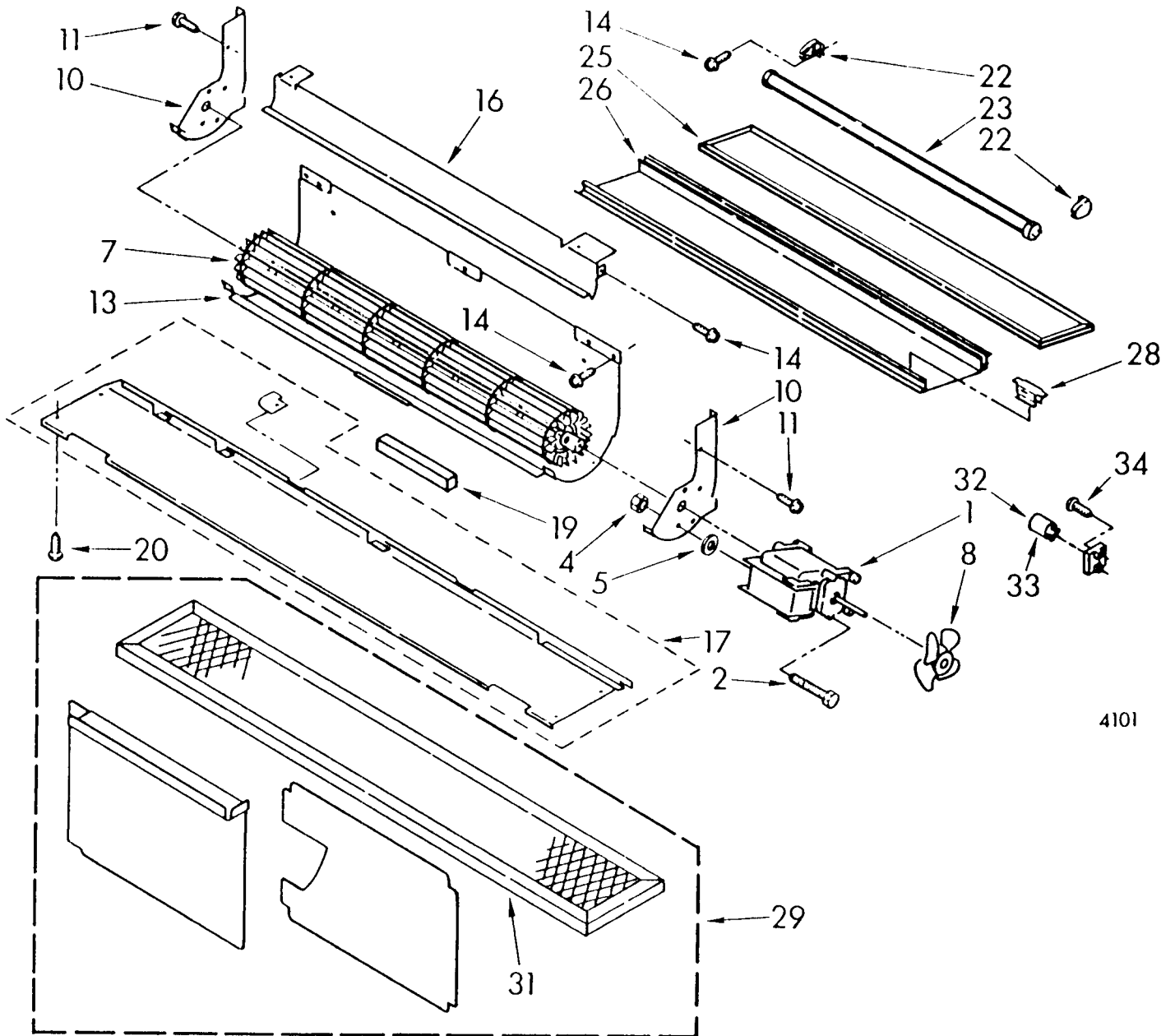
4101

FOR ORDERING INFORMATION REFER TO PARTS PRICE LIST

1	788287	Frame, Control Panel
2	788229	Screw, 6AB x 3/8 Pozidriv Truss Head (4)
4	788192	Screw, 8AB x 3/8 (2)
5	788491	Window, Display
7	788553	Membrane, Switch
10	788546	Switch, Fan
11	788547	Switch, Light
13	788499	Bracket, Component Support
14	788236	Clip, Support Bracket (4)
16	788513	Microcomputer
17	788129	Screw, 6AB x 3/8 Hex Washer Head (4)
19	788237	Baffle, Intrusion
20	788238	Housing, Control Panel
22	788239	Bushing
23	788110	Screw, 8AB x 3/8 Slotted Hex Head
25	788443	Triac
26	788433	Transformer, Low Voltage
28	788038	Relay
29	788241	Bracket, Control Panel Housing

EXHAUST AND LIGHT PARTS

For Model: MH6600XM-2



4101

FOR ORDERING INFORMATION REFER TO PARTS PRICE LIST

1	788416	Motor, Blower
2	788208	Screw, 8-32 (2)
4	788101	Nut, 8-32 (2)
5	788209	Grommet, Motor Mount (4)
7	788210	Wheel, Blower
8	788211	Fan, Motor Cooling
10		End Cap, Blower
	788212	Right Side
	788213	Left Side (Includes Bearing)
11	788214	Screw, #8B (8)
13	788215	Scroll, Blower
14	788110	Screw, 8AB x 3/8 Slotted Hex Head
16	788216	Lip, Vent
17	788457	Panel, Bottom
19	788218	Cushion
20	788192	Screw, 8AB x 3/8 (4)
22	788219	Holder, Light
23	788536	Bulb, Fluorescent
25	788221	Filter, Mesh
26	788222	Lens, Light
28	788357	Clip, Light Lens (5)
29	788000	Kit, Recirculating
31	788245	Filter, Charcoal
32	788548	Starter, Fluorescent
33	788549	Socket, Starter
34	788550	Screw, #4 x 1/4 (2)