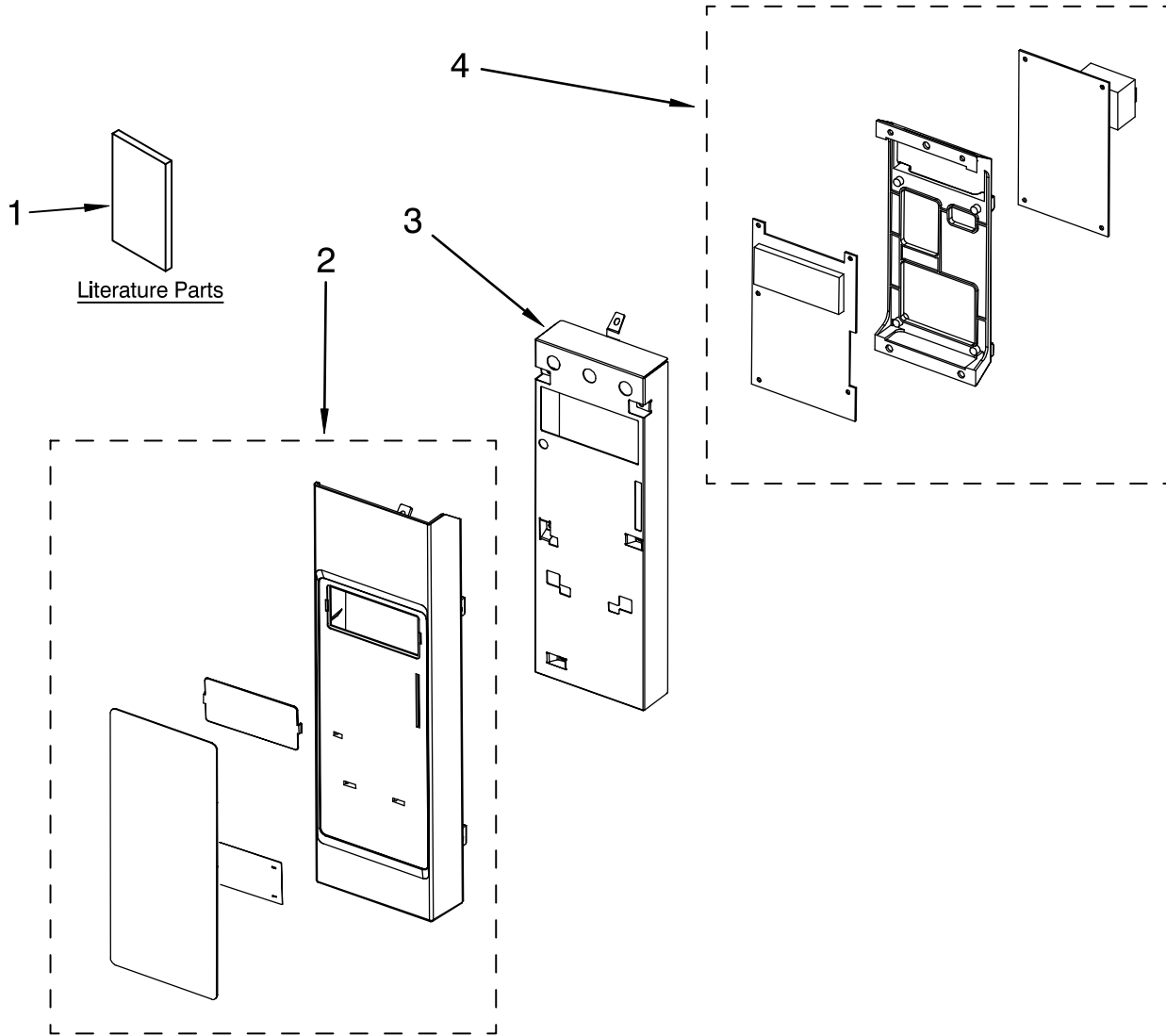




CONTROL PANEL PARTS

For Models: MH2175XSQ1, MH2175XST1, MH2175XSS1
(White) (Biscuit) (Stainless)

Microwave Oven
1.7 Cu. Ft.

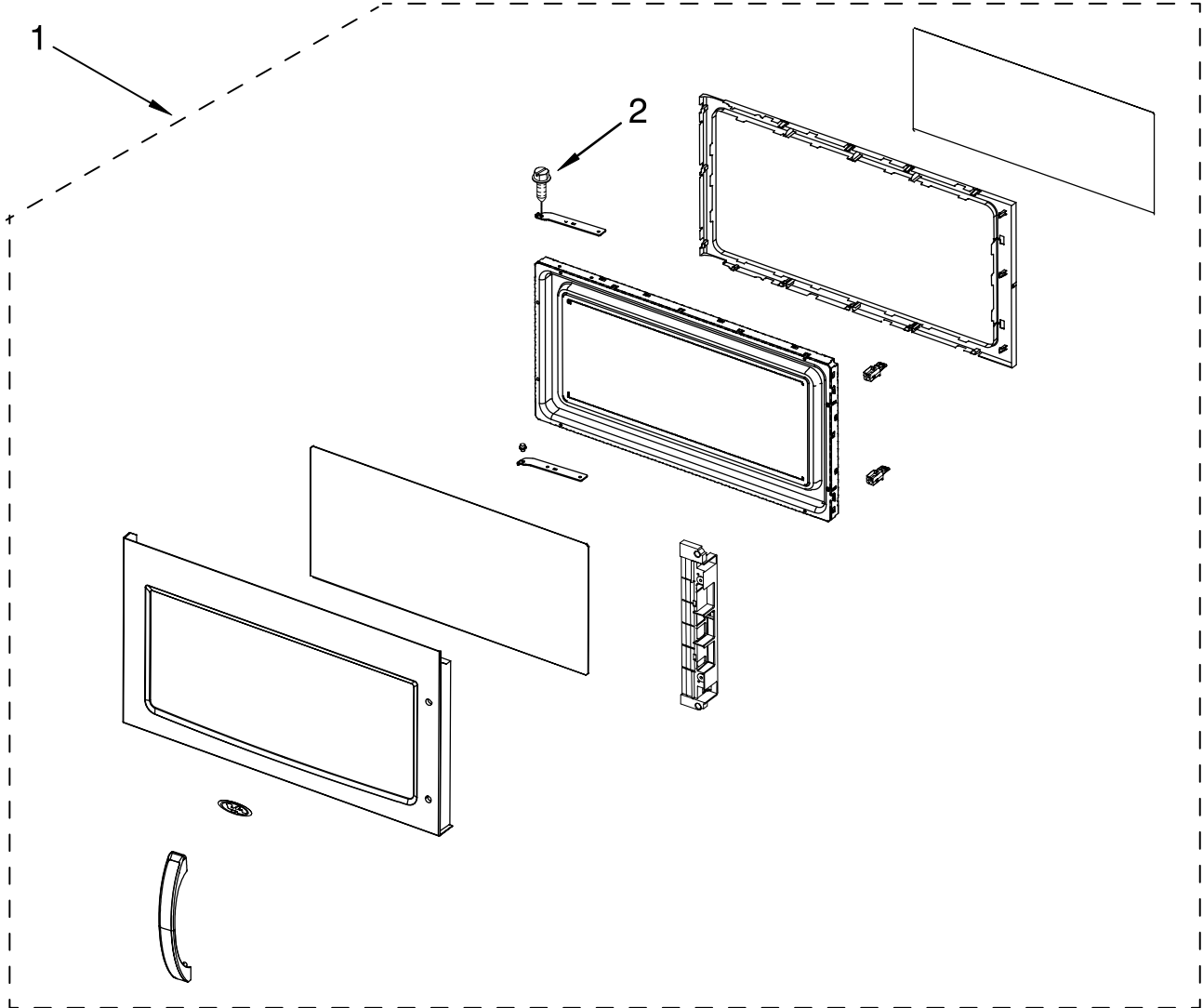


Illus. No.	Part No.	DESCRIPTION
1	W10110894	Literature U & C Guide
	W10132042	Tech Sheet, Slim
	8205888	Cook Guide Label
	8206587	Install, Instruct.
2		Panel Asy, Control Includes Lens and Membrane Switch
	W10166799	White
	W10166802	Biscuit
	W10166801	Stainless
3	W10156814	Bracket, Control
4	W10166798	Microcomputer

FOR ORDERING INFORMATION REFER TO PARTS PRICE LIST

DOOR PARTS

For Models: MH2175XSQ1, MH2175XST1, MH2175XSS1
 (White) (Biscuit) (Stainless)



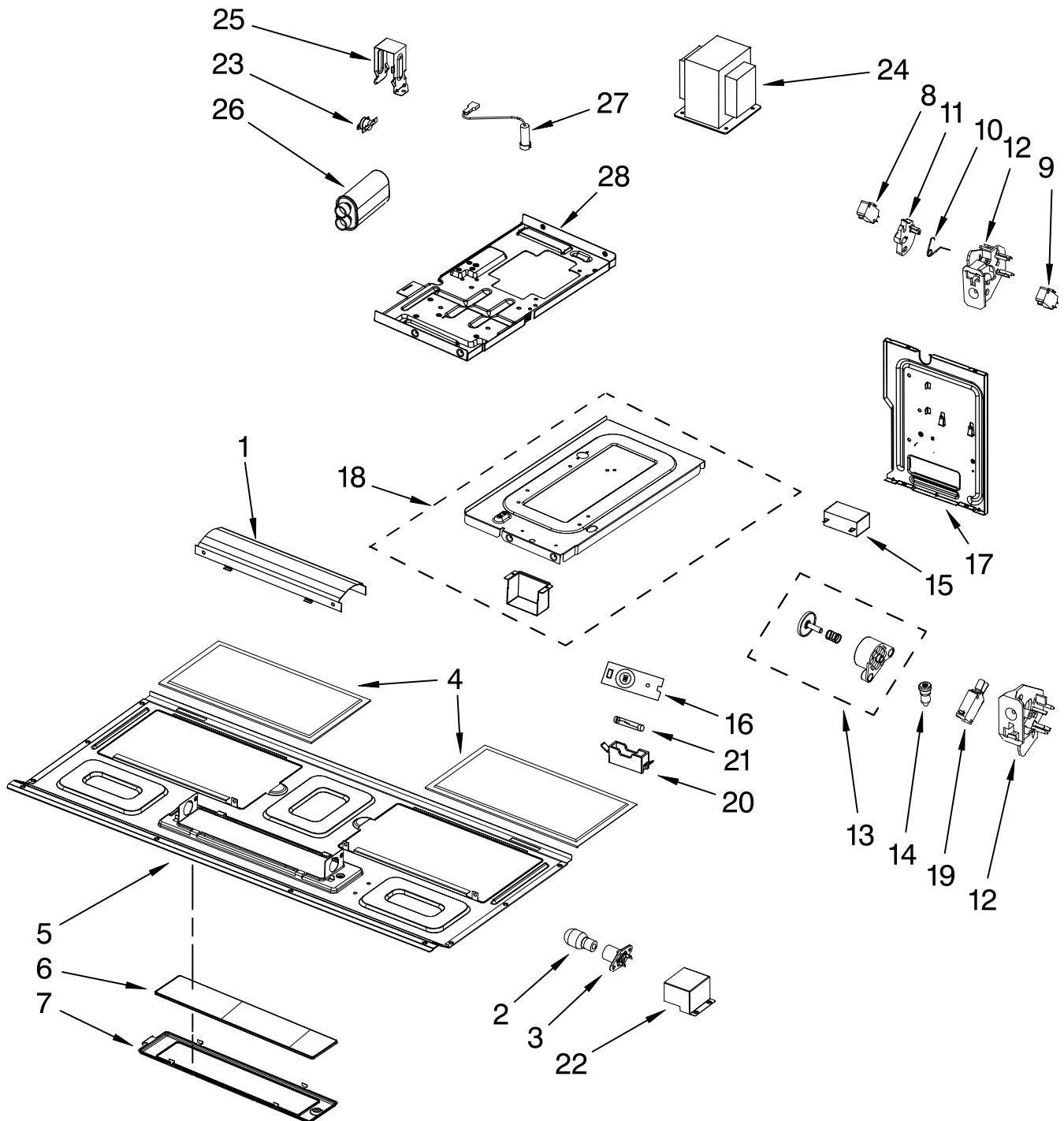
Illus. No.	Part No.	DESCRIPTION
1	8206394	COMPLETE DOOR White
	8206397	Biscuit
	8206396	Stainless Steel
2	W10138802	Screw

FOR ORDERING INFORMATION REFER TO PARTS PRICE LIST

INTERIOR AND VENTILATION PARTS

For Models: MH2175XSQ1, MH2175XST1, MH2175XSS1

(White) (Biscuit) (Stainless)



FOR ORDERING INFORMATION REFER TO PARTS PRICE LIST

INTERIOR AND VENTILATION PARTS

For Models: MH2175XSQ1, MH2175XST1, MH2175XSS1

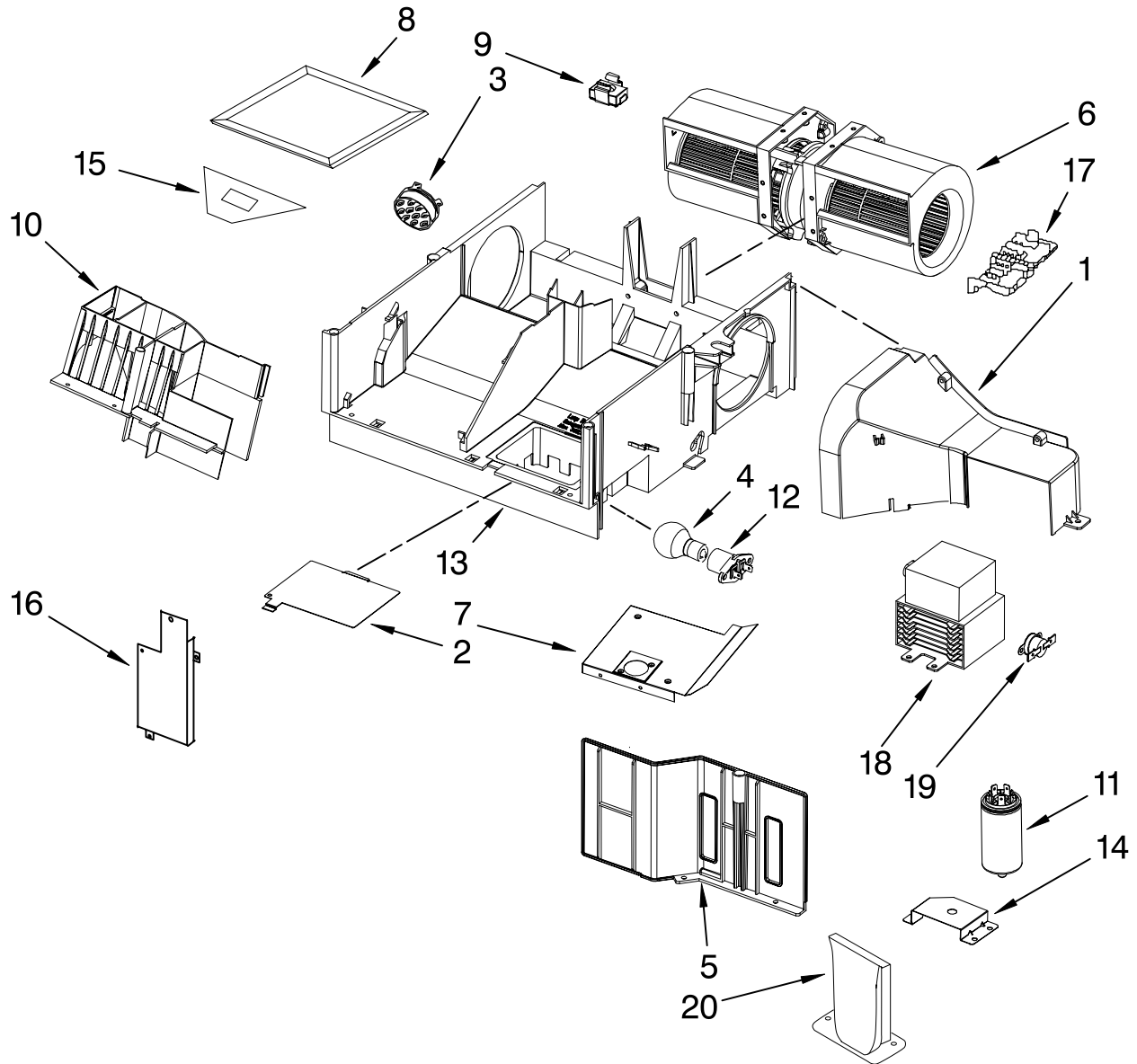
(White) (Biscuit) (Stainless)

Illus. No.	Part No.	DESCRIPTION
1	8206387	Reflector, Lamp
2	8206232	Lamp
3	8206374	Holder, Lamp
4	8206229	Filter, Grease
5	8206386	Plate, Bottom
6	8206376	Glass, Lamp
7	8206375	Holder, Glass
8	8206345	Switch, Micro V5P010CG3
9	8206347	Switch, Micro V5P020CG3
10	W10156812	Spring, Interlock
11	W10156811	Plate, Cam
12		Support, Interlock
	8206419	Top
	W10156813	Bottom
13	8206558	Piston Assembly
14	8206180	Screw
15	8206357	Capacitor, 125 V
16	W10163422	Thermistor (PCBA)
17	W10163421	Plate, Side
18	W10163423	Chassis Assembly
19	8206352	Switch, Micro V5P030CG3
20	8184312	Holder, Fuse
21	W10138793	Fuse
22	8206359	Terminal Cvr,Lamp
23	8206379	Thermostat
24	8206343	Transformer, H.V.
25	W10156817	Bracket, Capacitor
26	W10138798	Capacitor, H.V.
27	W10163432	Diode, H.V.
28	W10163420	Chassis

FOR ORDERING INFORMATION REFER TO PARTS PRICE LIST

AIR FLOW PARTS

For Models: MH2175XSQ1, MH2175XST1, MH2175XSS1
(White) (Biscuit) (Stainless)



Illus. No.	Part No.	DESCRIPTION
1	8206340	Deflector, Air
2	8206382	Cover, Lamp
3	8206626	Sensor, Humidity
4	4393681	Lamp
5	W10163433	Cover, Side Inlet
6	W10114550	Motor, Fan Assy
7	8206627	Air Guide

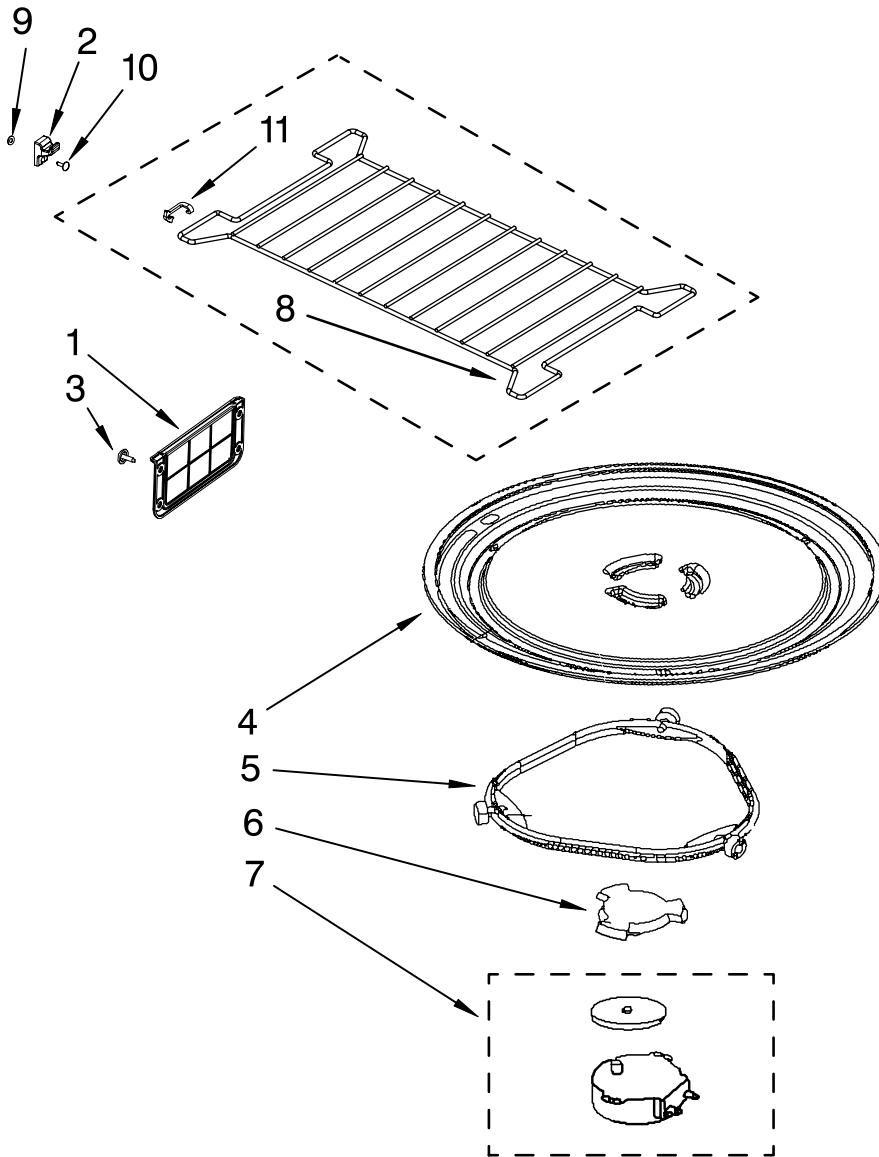
Illus. No.	Part No.	DESCRIPTION
8	8206230	Filter, Charcoal
9	W10110862	Mounting, Nut (2)
10	W10158781	Air Guide,Plate
11	8206624	Filter
12	8169539	Holder, Lamp
13	W10138799	Base Plate, Air Guide
14	W10156815	Brkt-Mntg,Filter

Illus. No.	Part No.	DESCRIPTION
15	W10139750	Socket, Motor Wire
16	8206629	Cover, Inlet Air Cavity Guide
17	W10110598	Cover, Terminal
18	8206341	Magnetron
19	8206342	Thermostat
20	W10164716	Plate, Water Proof

FOR ORDERING INFORMATION REFER TO PARTS PRICE LIST

TURNTABLE PARTS

For Models: MH2175XSQ1, MH2175XST1, MH2175XSS1
(White) (Biscuit) (Stainless)



Illus. No.	Part No.	DESCRIPTION
1	8206389	Cover, Inlet Includes Nails and Bushings
2	8206118	Hook, Rack (4)

Illus. No.	Part No.	DESCRIPTION
3	W10138801	Plastic Rivets(4)
4	4393799	Turntable
5	8206227	Ring, Turntable
6	8206228	Driver, Turntable
7	8183953	Motor, Turntable

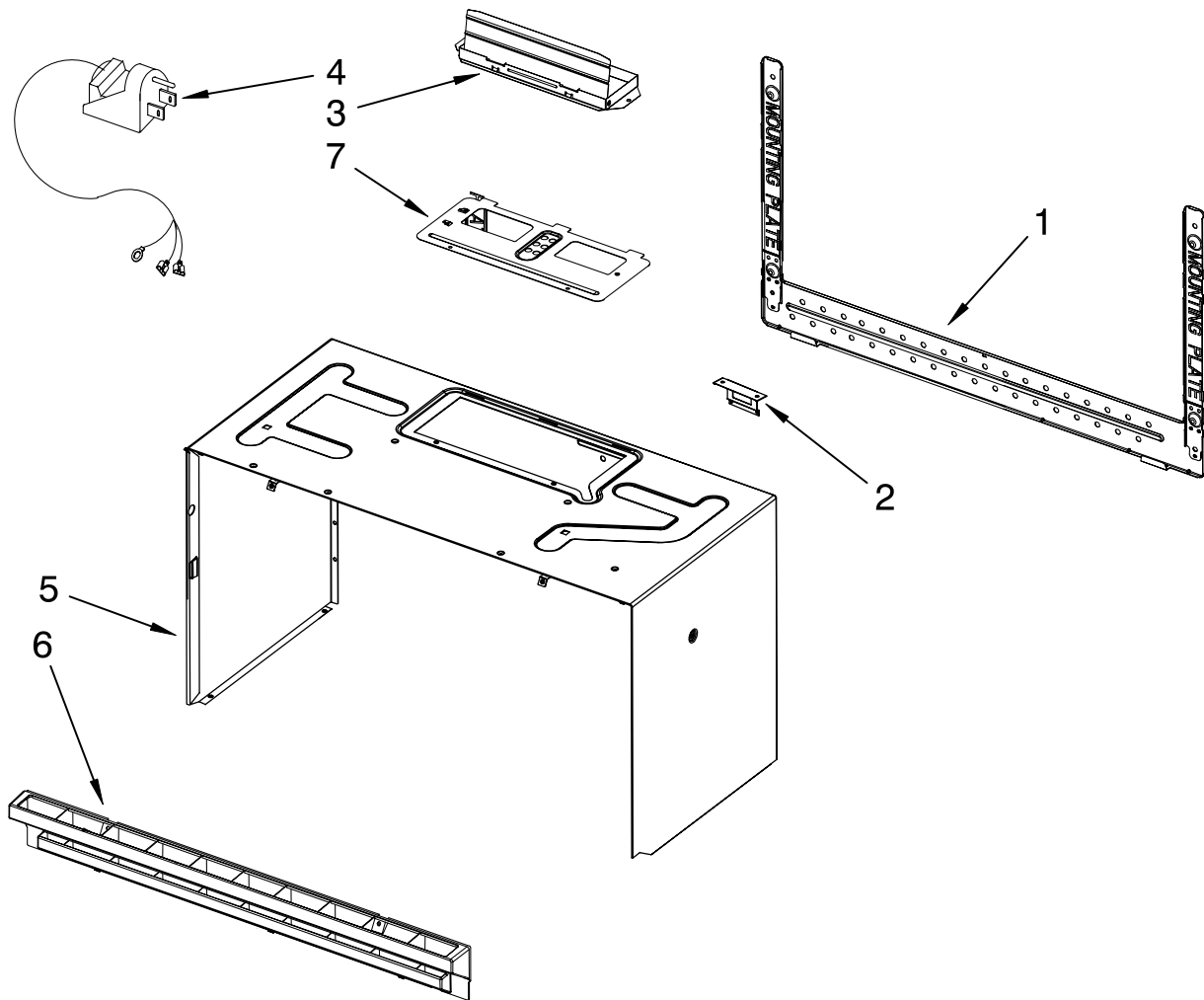
Illus. No.	Part No.	DESCRIPTION
8	8184865	Rack
9	W10107790	Washer
10	8206618	Screw
11	W10107780	Spacer (4)

FOR ORDERING INFORMATION REFER TO PARTS PRICE LIST

CABINET AND INSTALLATION PARTS

For Models: MH2175XSQ1, MH2175XST1, MH2175XSS1

(White) (Biscuit) (Stainless)



Illus. No.	Part No.	DESCRIPTION
1	8206315	Plate, Mounting
2	8206385	Support, Wire Clip
3	8206442	Damper Assembly
4	8206442	Cord, Power

Illus. No.	Part No.	DESCRIPTION
5		Case, Outer
	W10163417	White
	W10163418	Black
	W10163419	Biscuit
6		Grille, Vent
	8206390	White
	8206391	Black
	8206392	Biscuit
7	W10157207	Plate, Damper

Illus. No.	Part No.	DESCRIPTION
Miscellaneous		
	8205948	Installation, Hardware
	8205871	Template, Upper
	8169704	Screw, Top Mountng
	W10163434	Main Harness
	W10163438	Ground Wire Assy
	8206415	H.V. Wire Assy
	W10107760	Grnd Wire, Filter
	W10163435	HdImp/TT Wire Assy
	W10163436	HV Trnsfmr Wr Assy
	W10163439	Harness Wire, NTC

FOR ORDERING INFORMATION REFER TO PARTS PRICE LIST