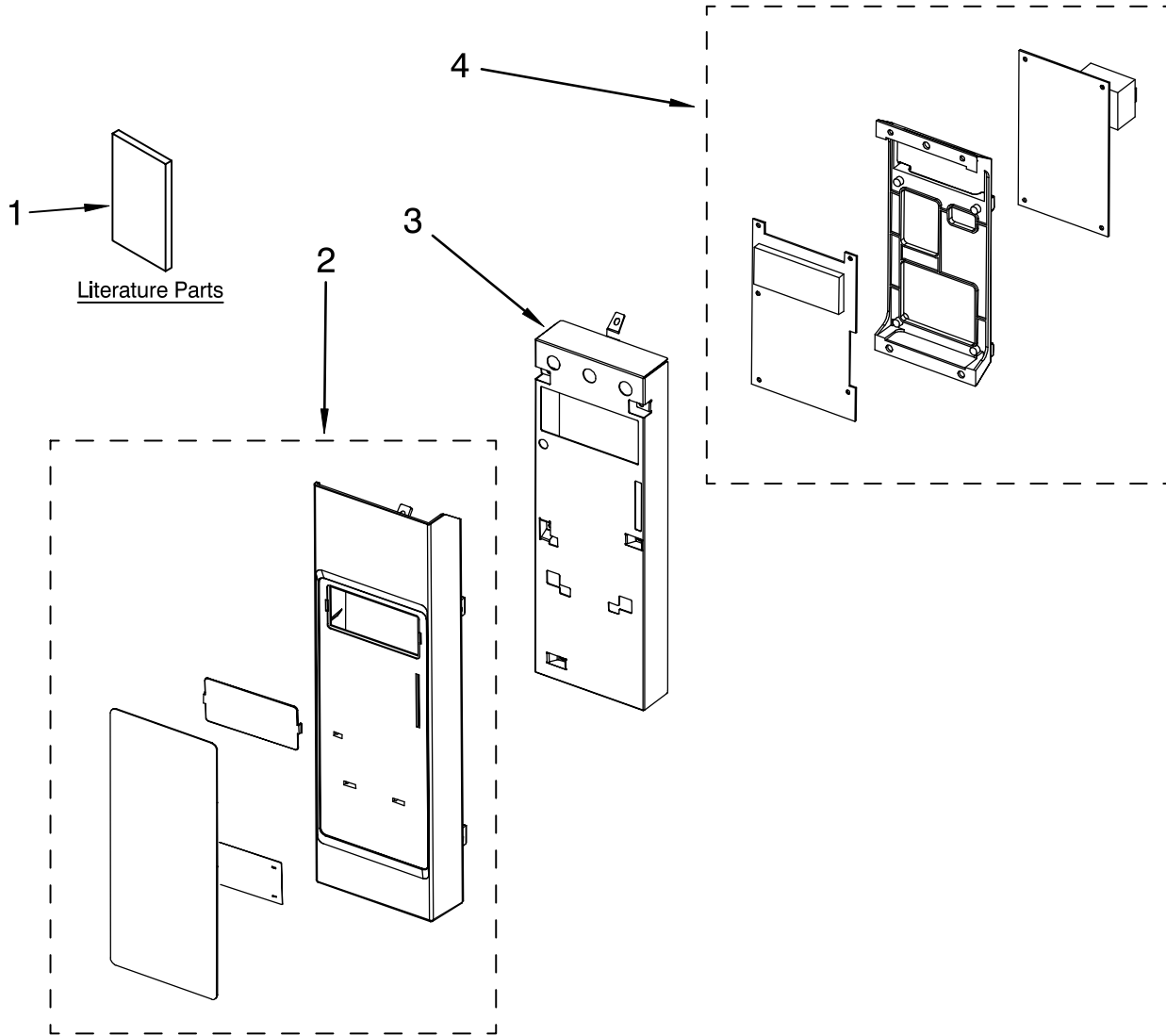




CONTROL PANEL PARTS

For Models: MH2175XSQ0, MH2175SXB0, MH2175XST0, MH2175XSS0
 (White) (Black) (Biscuit) (Stainless)

Microwave Oven
 1.7 Cu. Ft.

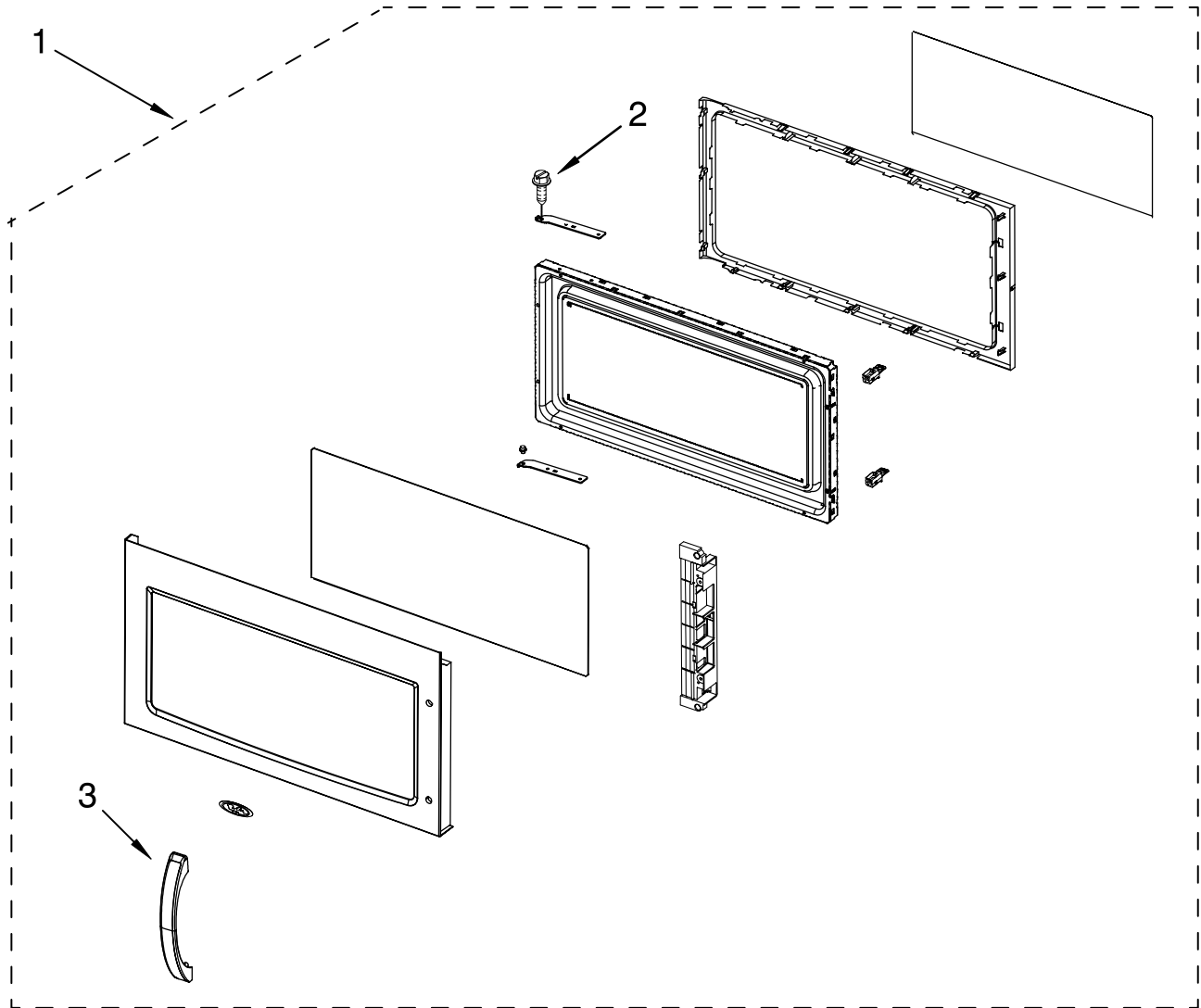


| Illus. No. | Part No. | DESCRIPTION |
|------------|----------|-----------------------------------|
| 1 | | Literature |
| | 8206540 | U & C Guide |
| | 8206560 | Tech Sheet |
| | 8205888 | Cook Guide Label |
| 2 | | Panel Asy, Control |
| | | Includes Lens and Membrane Switch |
| | 8206620 | White |
| | 8206621 | Black |
| | 8206623 | Biscuit |
| | 8206622 | Stainless |
| 3 | 8206361 | Bracket, Control |
| 4 | 8206619 | Microcomputer |

FOR ORDERING INFORMATION REFER TO PARTS PRICE LIST

DOOR PARTS

For Models: MH2175XSQ0, MH2175SXB0, MH2175XST0, MH2175XSS0
 (White) (Black) (Biscuit) (Stainless)

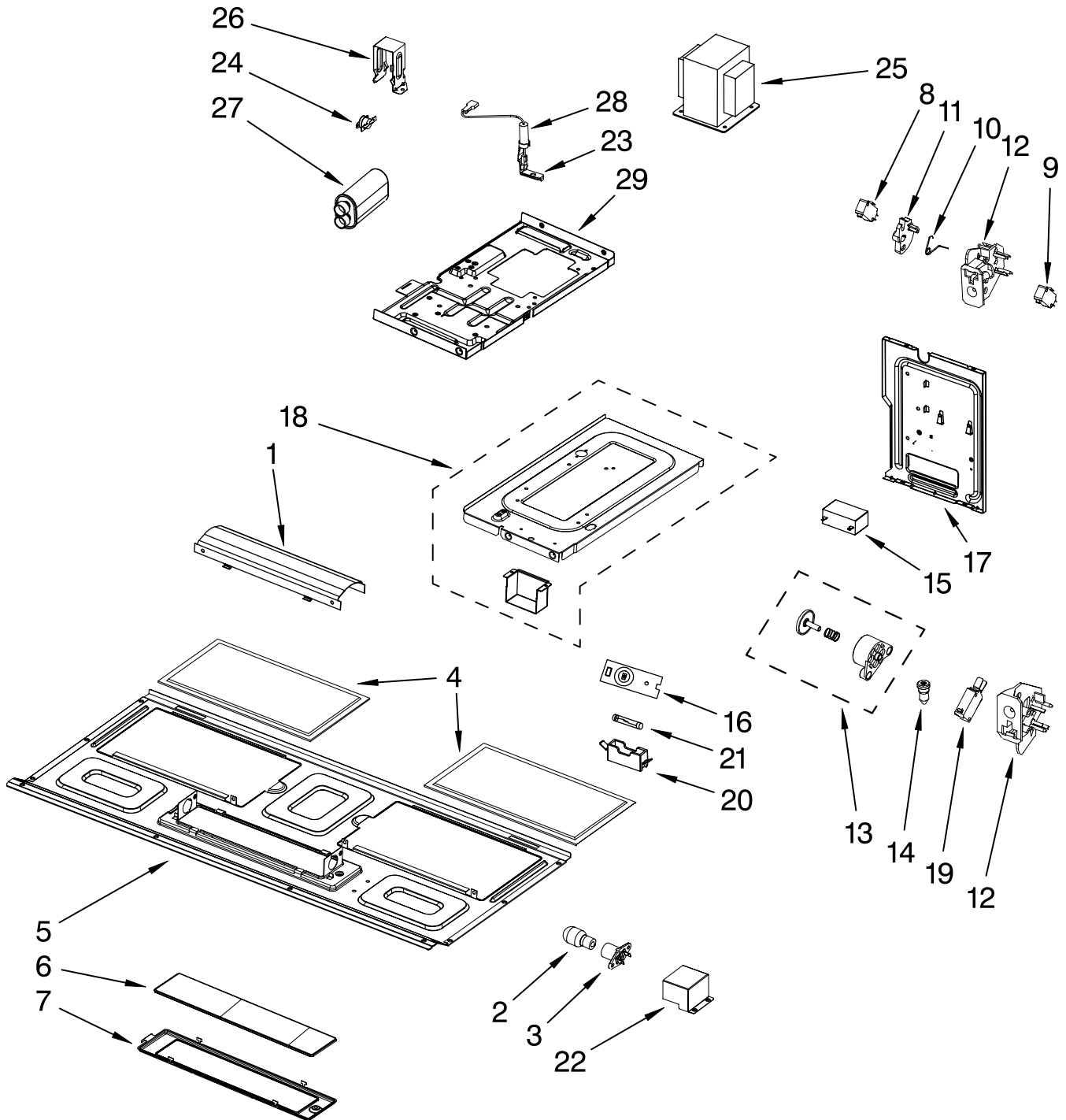


| Illus. No. | Part No. | DESCRIPTION |
|------------|-----------|-----------------|
| 1 | | COMPLETE DOOR |
| | 8206394 | White |
| | 8206397 | Biscuit |
| | 8206395 | Black |
| | 8206396 | Stainless Steel |
| 2 | 8206181 | Screw |
| 3 | | Handle |
| | W10114514 | White |
| | W10114515 | Black |
| | W10114551 | Biscuit |

FOR ORDERING INFORMATION REFER TO PARTS PRICE LIST

INTERIOR AND VENTILATION PARTS

For Models: MH2175XSQ0, MH2175SXB0, MH2175XST0, MH2175XSS0
(White) (Black) (Biscuit) (Stainless)



FOR ORDERING INFORMATION REFER TO PARTS PRICE LIST

INTERIOR AND VENTILATION PARTS

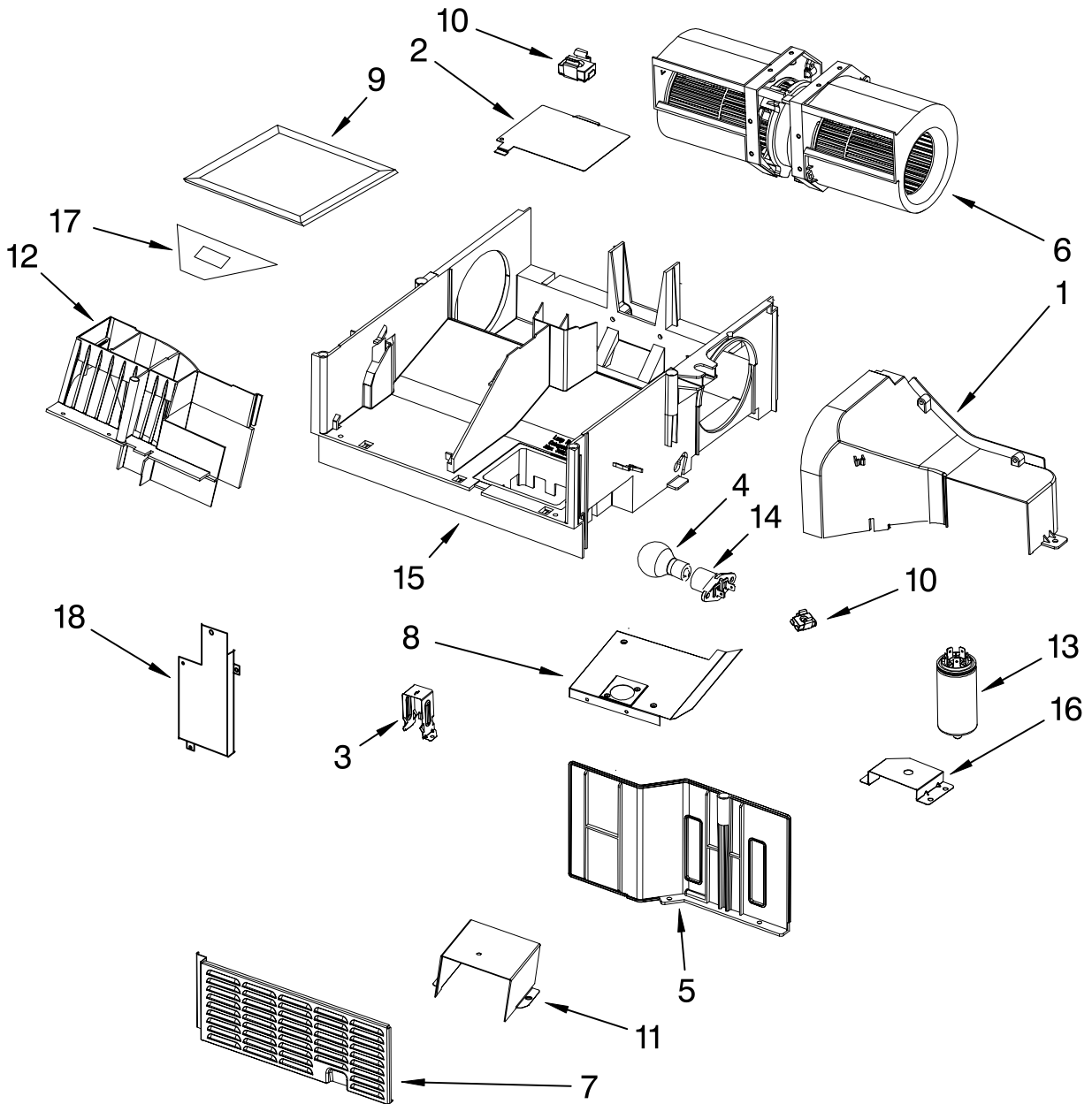
For Models: MH2175XSQ0, MH2175SXB0, MH2175XST0, MH2175XSS0
 (White) (Black) (Biscuit) (Stainless)

| Illus. No. | Part No. | DESCRIPTION |
|-------------------|-----------------|----------------------------|
| 1 | 8206387 | Reflector, Lamp |
| 2 | 8206232 | Lamp |
| 3 | 8206374 | Holder, Lamp |
| 4 | 8206229 | Filter, Grease |
| 5 | 8206386 | Plate, Bottom |
| 6 | 8206376 | Glass, Lamp |
| 7 | 8206375 | Holder, Glass |
| 8 | 8206345 | Switch, Micro V5P010CG3 |
| 9 | 8206347 | Switch, Micro V5P020CG3 |
| 10 | 8169438 | Spring, Interlock |
| 11 | 8183824 | Plate, Cam |
| 12 | | Support, Interlock |
| | 8206419 | Top |
| | 8206353 | Bottom |
| 13 | 8206558 | Piston Assembly |
| 14 | 8206180 | Screw |
| 15 | 8206357 | Capacitor, 125 V |
| 16 | 8206421 | Thermistor (PCBA) |
| 17 | 8206348 | Plate, Side |
| 18 | 8206358 | Chassis Assembly |
| 19 | 8206352 | Switch, Micro V5P030CG3 |
| 20 | 8184312 | Holder, Fuse |
| 21 | 4393308 | Fuse |
| 22 | 8206359 | Terminal Cvr, Lamp |
| 23 | 8206370 | Support, Diode |
| 24 | 8206379 | Thermostat |
| 25 | 8206343 | Transformer, H.V. |
| 26 | 8206378 | Bracket, Capacitor |
| 27 | 8206380 | Capacitor, H.V. |
| 28 | 8206369 | Diode, H.V. |
| 29 | 8206344 | Chassis |

FOR ORDERING INFORMATION REFER TO PARTS PRICE LIST

AIR FLOW PARTS

For Models: MH2175XSQ0, MH2175SXB0, MH2175XST0, MH2175XSS0
(White) (Black) (Biscuit) (Stainless)



| Illus. No. | Part No. | DESCRIPTION |
|------------|-----------|-------------------|
| 1 | 8206340 | Deflector, Air |
| 2 | 8206382 | Cover, Lamp |
| 3 | 8206626 | Sensor, Humidity |
| 4 | 4393681 | Lamp |
| 5 | 8206371 | Cover, Side Inlet |
| 6 | W10114550 | Motor, Fan Assy |

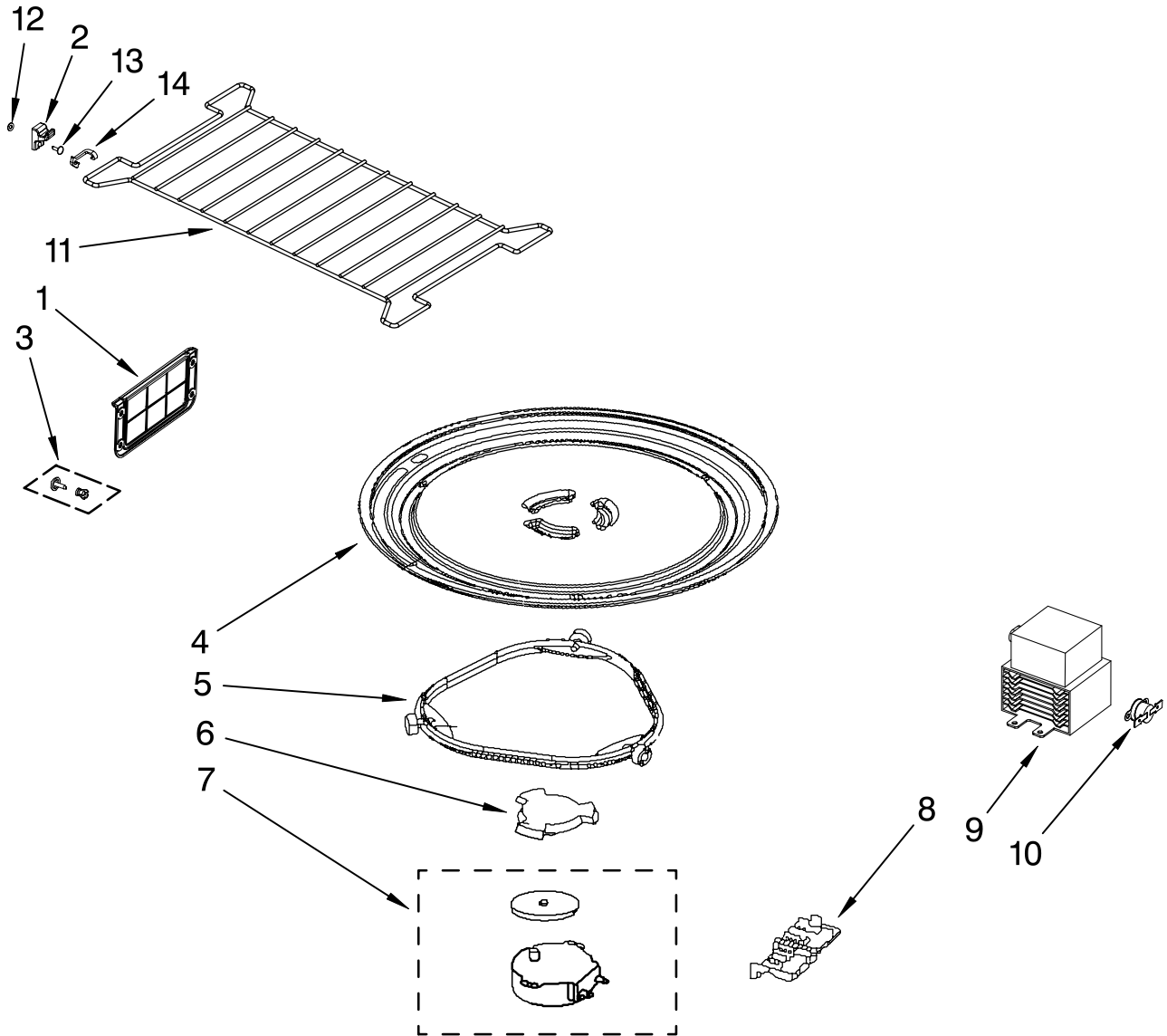
| Illus. No. | Part No. | DESCRIPTION |
|------------|-----------|-------------------|
| 7 | W10107800 | Shield |
| 8 | 8206627 | Air Guide |
| 9 | 8206230 | Filter, Charcoal |
| 10 | W10110862 | Mounting, Nut (2) |
| 11 | 8206625 | Channel, Air |
| 12 | 8206628 | Air Guide, Plate |
| 13 | 8206624 | Filter |

| Illus. No. | Part No. | DESCRIPTION |
|------------|----------|-------------------------------|
| 14 | 8169539 | Holder, Lamp |
| 15 | 8206383 | Base Plate, Air Guide |
| 16 | 8206368 | Brkt-Mntg, Filter |
| 17 | 8185097 | Socket, Motor Wire |
| 18 | 8206629 | Cover, Inlet Air Cavity Guide |

FOR ORDERING INFORMATION REFER TO PARTS PRICE LIST

MAGNETRON AND TURNTABLE PARTS

For Models: MH2175XSQ0, MH2175SXB0, MH2175XST0, MH2175XSS0
 (White) (Black) (Biscuit) (Stainless)



| Illus. No. | Part No. | DESCRIPTION |
|------------|----------|---|
| 1 | 8206389 | Cover, Inlet Includes Nails and Bushings |
| 2 | 8206118 | Hook, Rack (4) |
| 3 | 8184549 | Nails/Bushings (4 of each) |

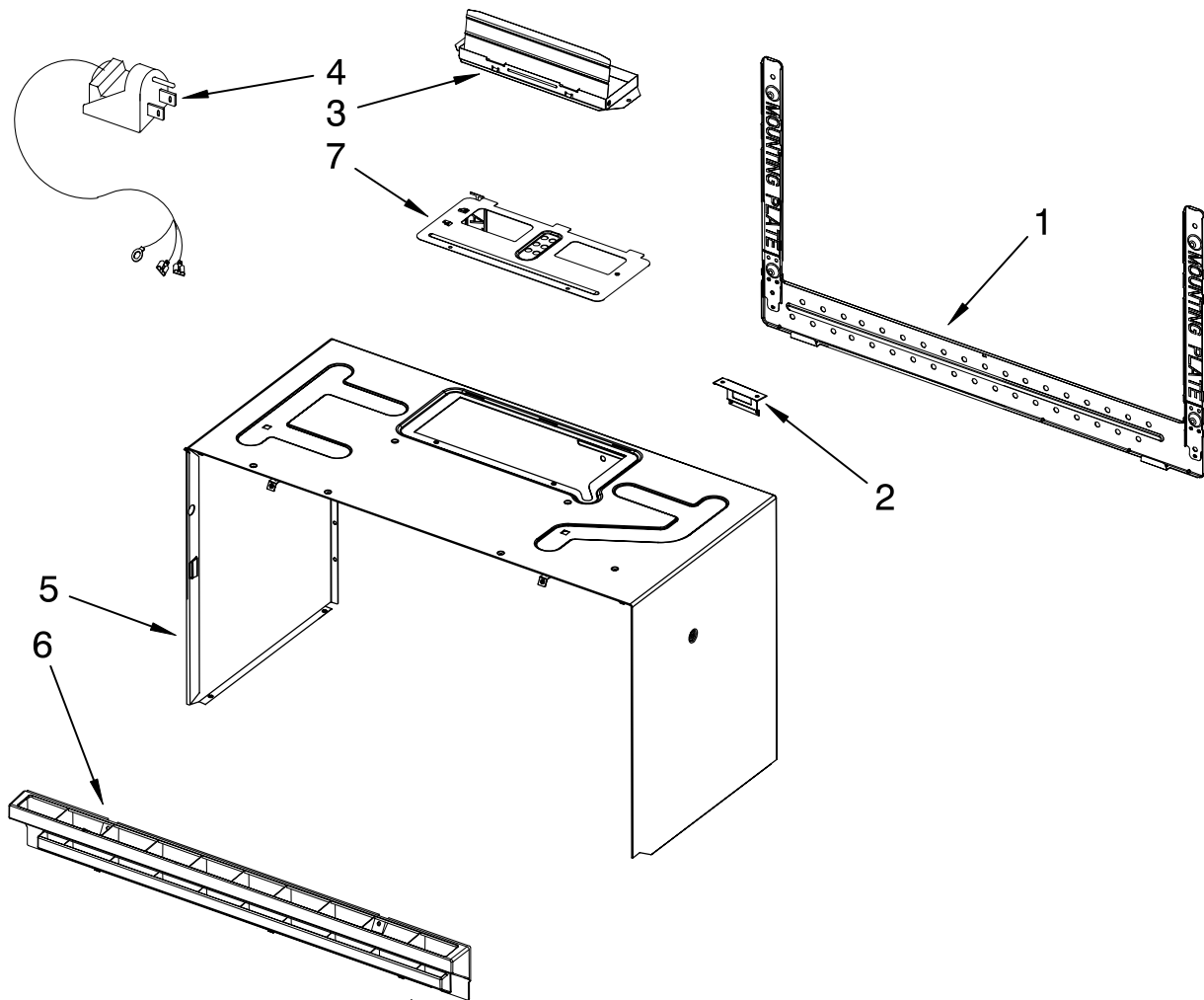
| Illus. No. | Part No. | DESCRIPTION |
|------------|----------|-------------------|
| 4 | 4393799 | Turntable |
| 5 | 8206227 | Ring, Turntable |
| 6 | 8206228 | Driver, Turntable |
| 7 | 8183953 | Motor, Turntable |
| 8 | 8206354 | Cover, Terminal |
| 9 | 8206341 | Magnetron |

| Illus. No. | Part No. | DESCRIPTION |
|------------|-----------|-------------|
| 10 | 8206342 | Thermostat |
| 11 | 8205042 | Rack |
| 12 | W10107790 | Washer |
| 13 | 8206618 | Screw |
| 14 | W10107780 | Spacer (4) |

FOR ORDERING INFORMATION REFER TO PARTS PRICE LIST

CABINET AND INSTALLATION PARTS

For Models: MH2175XSQ0, MH2175SXB0, MH2175XST0, MH2175XSS0
 (White) (Black) (Biscuit) (Stainless)



| Illus. No. | Part No. | DESCRIPTION |
|------------|----------|--------------------|
| 1 | 8206315 | Plate, Mounting |
| 2 | 8206385 | Support, Wire Clip |
| 3 | 8206442 | Damper Assembly |
| 4 | 8206388 | Cord, Power |

| Illus. No. | Part No. | DESCRIPTION |
|------------|----------|---------------|
| 5 | | Case, Outer |
| | 8206337 | White |
| | 8206338 | Black |
| | 8206339 | Biscuit |
| 6 | | Grille, Vent |
| | 8206390 | White |
| | 8206391 | Black |
| | 8206392 | Biscuit |
| 7 | 8206336 | Plate, Damper |

| Illus. No. | Part No. | DESCRIPTION |
|----------------------|-----------|------------------------|
| Miscellaneous | | |
| | 8205948 | Installation, Hardware |
| | 8184731 | Template, Upper |
| | 8169704 | Screw, Top Mountng |
| | W10107710 | Main Harness |
| | 8205635 | Ground Wire Assy |
| | 8206415 | H.V. Wire Assy |
| | W10107760 | Grnd Wire, Filter |
| | W10107730 | HdImp/TT Wire Assy |
| | W10107740 | HV Trnsfmr Wr Assy |
| | W10107770 | Harness Wire, NTC |

FOR ORDERING INFORMATION REFER TO PARTS PRICE LIST