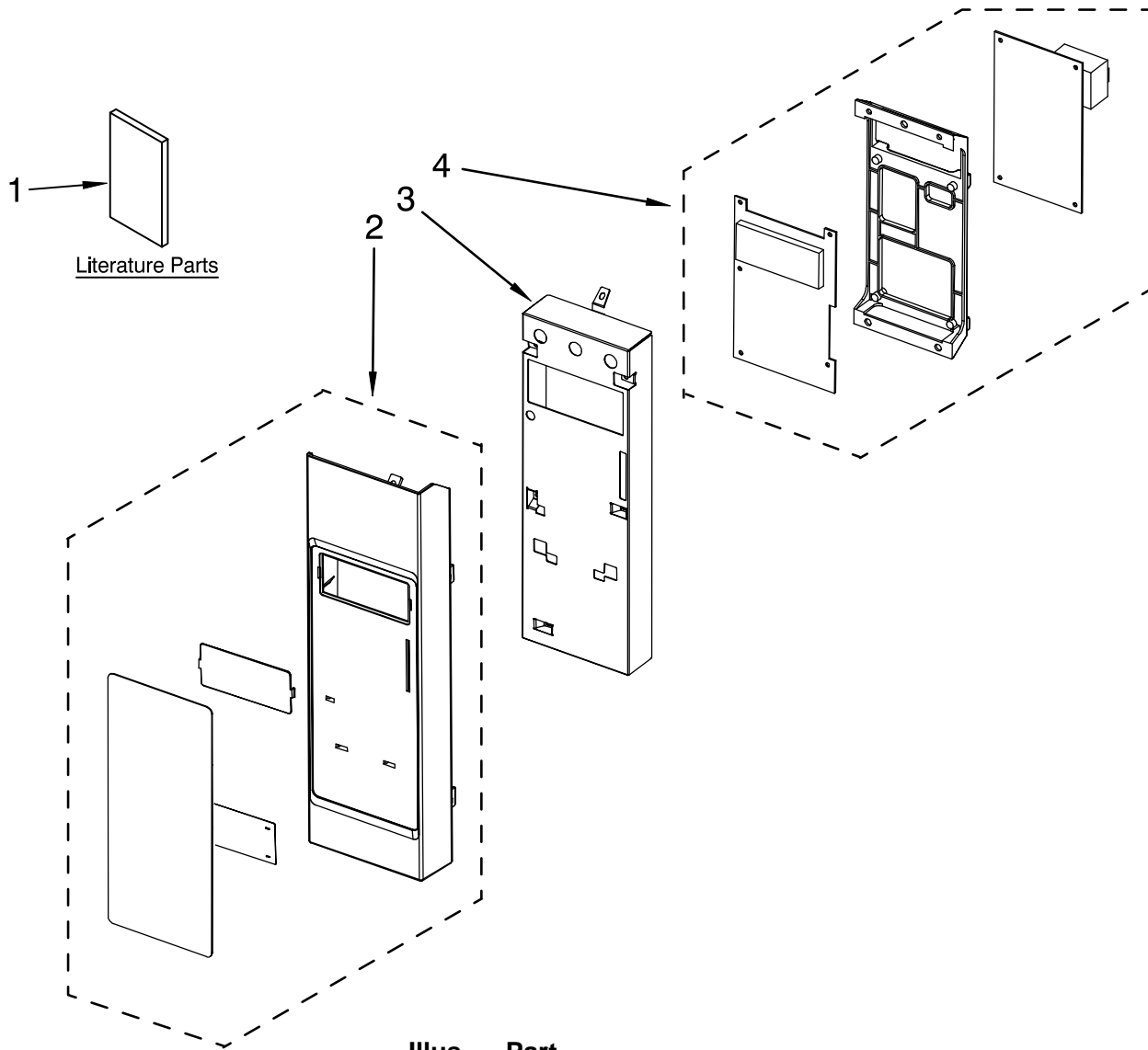




CONTROL PANEL PARTS

For Models: MH1160XSQ1, MH1160XSB1
(White) (Black)

Microwave Oven
1.7 Cu. Ft.

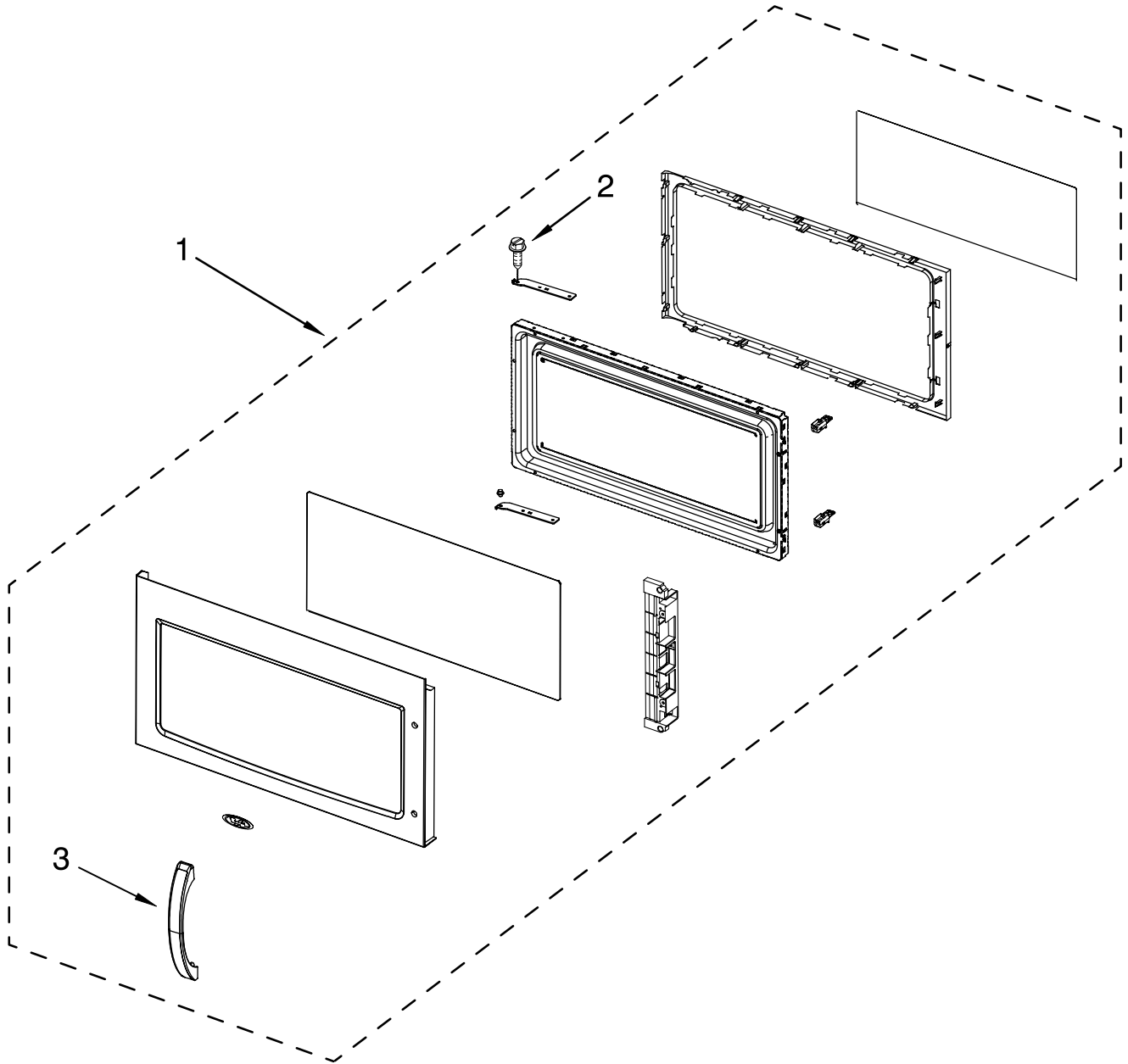


Illus. No.	Part No.	DESCRIPTION
1		Literature
	W10110881	U & C Guide
	W10110888	Tech Sheet
	8205879	Cook Guide Label
2		Panel Asy, Control
		Includes Lens and Membrane Switch
	8206422	White
	8206423	Black
3	8206361	Bracket, Control
4	W10108790	Microcomputer

FOR ORDERING INFORMATION REFER TO PARTS PRICE LIST

DOOR PARTS

For Models: MH1160XSQ1, MH1160XSB1
(White) (Black)



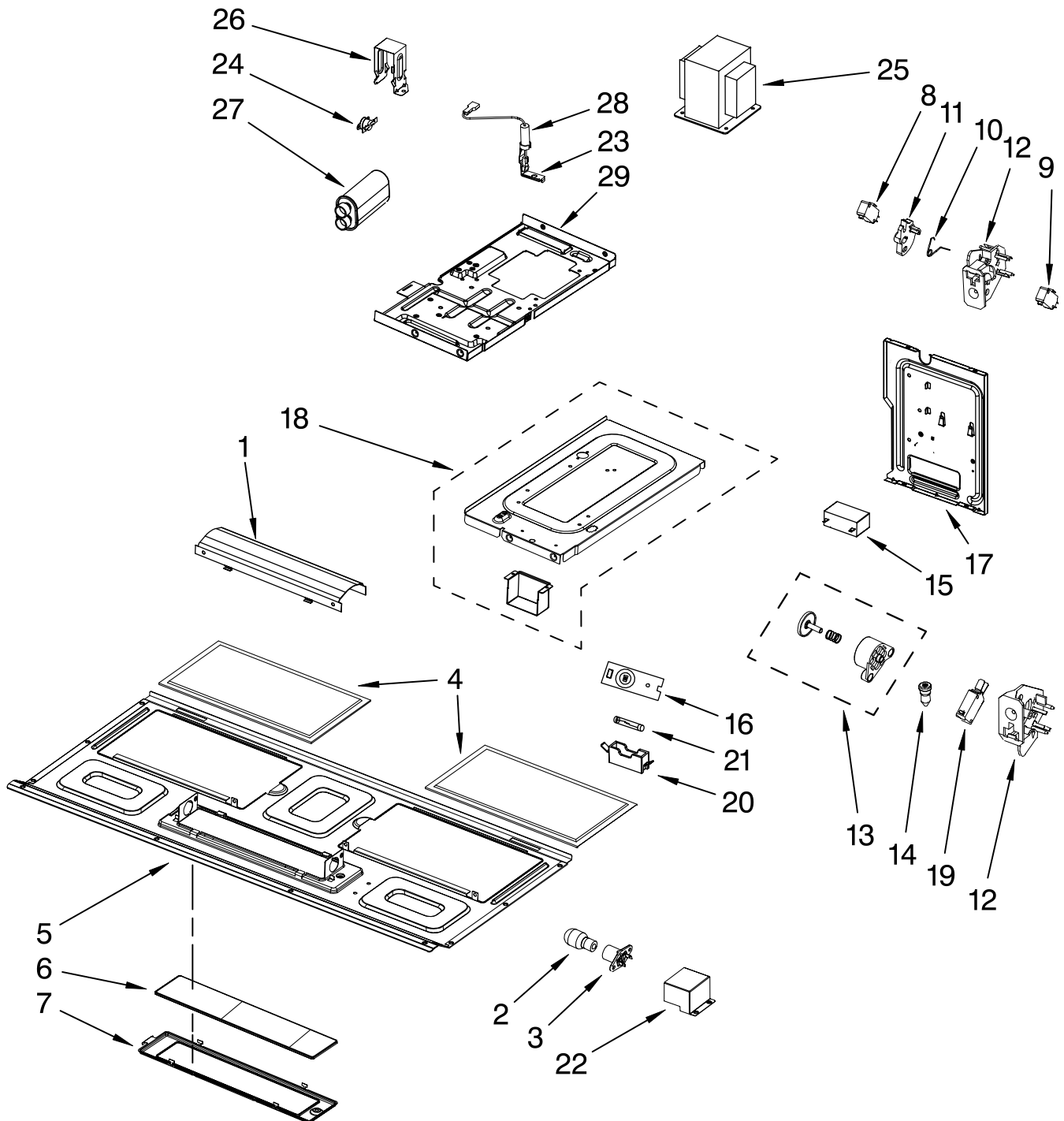
Illus. No.	Part No.	DESCRIPTION
1		COMPLETE DOOR
	8206394	White
	8206395	Black
2	8206181	Screw
3		Handle
	W10114514	White
	W10114515	Black

FOR ORDERING INFORMATION REFER TO PARTS PRICE LIST

INTERIOR AND VENTILATION PARTS

For Models: MH1160XSQ1, MH1160XSB1

(White) (Black)



FOR ORDERING INFORMATION REFER TO PARTS PRICE LIST

INTERIOR AND VENTILATION PARTS

For Models: MH1160XSQ1, MH1160XSB1

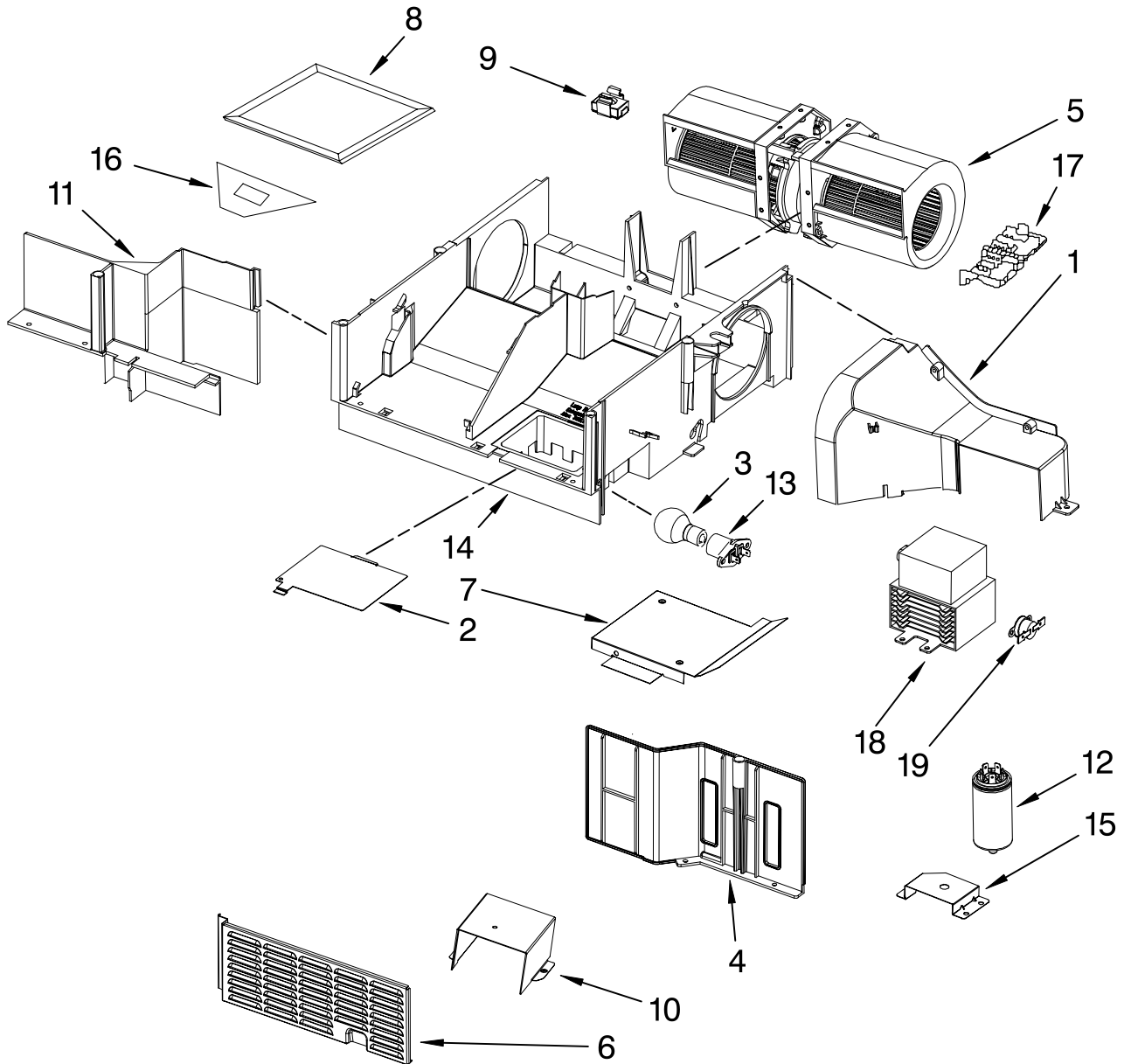
(White) (Black)

<u>Illus.</u> <u>No.</u>	<u>Part</u> <u>No.</u>	<u>DESCRIPTION</u>
1	8206387	Reflector, Lamp
2	8206232	Lamp
3	8206374	Holder, Lamp
4	8206229	Filter, Grease
5	8206386	Plate, Bottom
6	8206376	Glass, Lamp
7	8206375	Holder, Glass
8	8206345	Switch, Micro V5P010CG3
9	8206347	Switch, Micro V5P020CG3
10	8169438	Spring, Interlock
11	8183824	Plate, Cam
12		Support, Interlock
	8206419	Top
	8206353	Bottom
13	8206558	Piston Assembly
14	8206180	Screw
15	8206357	Capacitor, 125 V
16	8206421	Thermistor (PCBA)
17	W10138792	Plate, Side
18	8206358	Chassis Assembly
19	8206352	Switch, Micro V5P030CG3
20	8184312	Holder, Fuse
21	W10138793	Fuse
22	8206359	Terminal Cvr, Lamp
23	8206370	Support, Diode
24	8206379	Thermostat
25	8206343	Transformer, H.V.
26	8206378	Bracket, Capacitor
27	W10138798	Capacitor, H.V.
28	W10138796	Diode, H.V.
29	W10138791	Chassis

FOR ORDERING INFORMATION REFER TO PARTS PRICE LIST

AIR FLOW PARTS

For Models: MH1160XSQ1, MH1160XSB1
(White) (Black)



Illus. No.	Part No.	DESCRIPTION
1	8206340	Deflector, Air
2	8206382	Cover, Lamp
3	4393681	Lamp
4	8206371	Cover, Side Inlet
5	W10114550	Motor, Fan Assy
6	W10107800	Shield

Illus. No.	Part No.	DESCRIPTION
7	W10138797	Air Guide
8	8206230	Filter, Charcoal
9	W10110862	Mounting, Nut (2)
10	8206625	Channel, Air
11	W10138800	Air Guide
12	8206624	Filter
13	8169539	Holder, Lamp

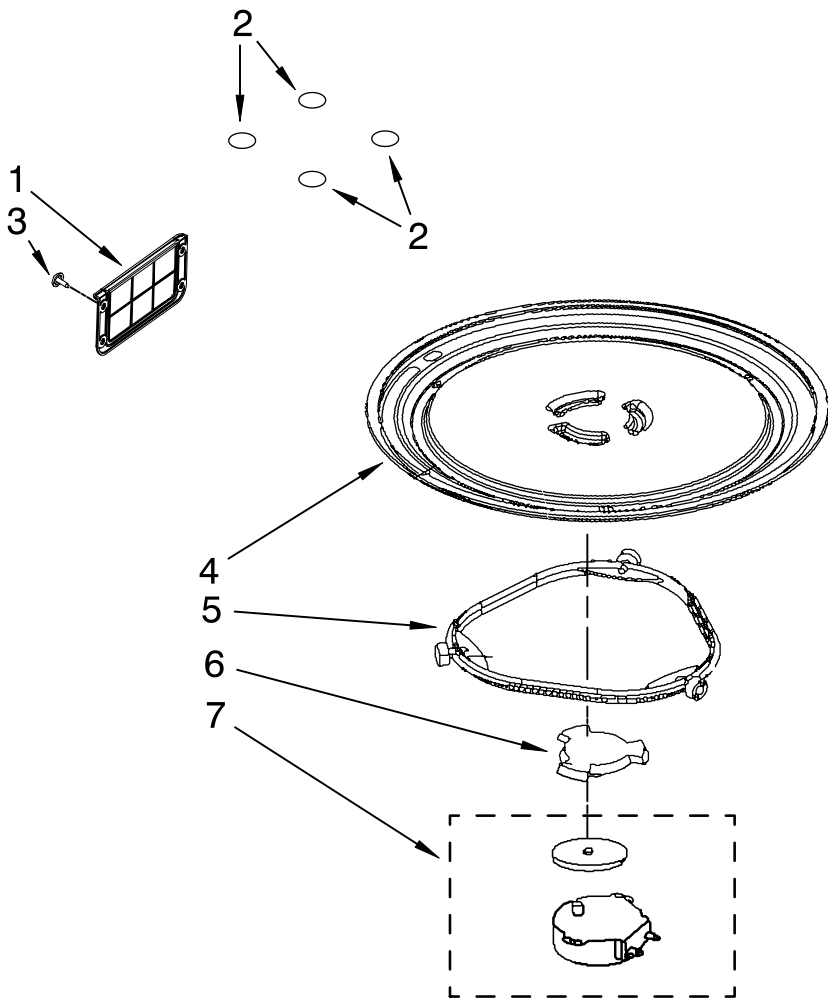
Illus. No.	Part No.	DESCRIPTION
14	W10138799	Base Plate, Air Guide
15	8206368	Brkt-Mntg, Filter
16	W10117846	Socket, Motor Wire
17	W10110598	Cover, Terminal
18	8206341	Magnetron
19	8206342	Thermostat

FOR ORDERING INFORMATION REFER TO PARTS PRICE LIST

TURNTABLE PARTS

For Models: MH1160XSQ1, MH1160XSB1

(White) (Black)



Illus. No.	Part No.	DESCRIPTION
1	8206389	Cover, Inlet Includes Nails and Bushings

Illus. No.	Part No.	DESCRIPTION
2	W10108800	Cavity Plugs
3	W10138801	Plastic Rivets (4)
4	4393799	Turntable

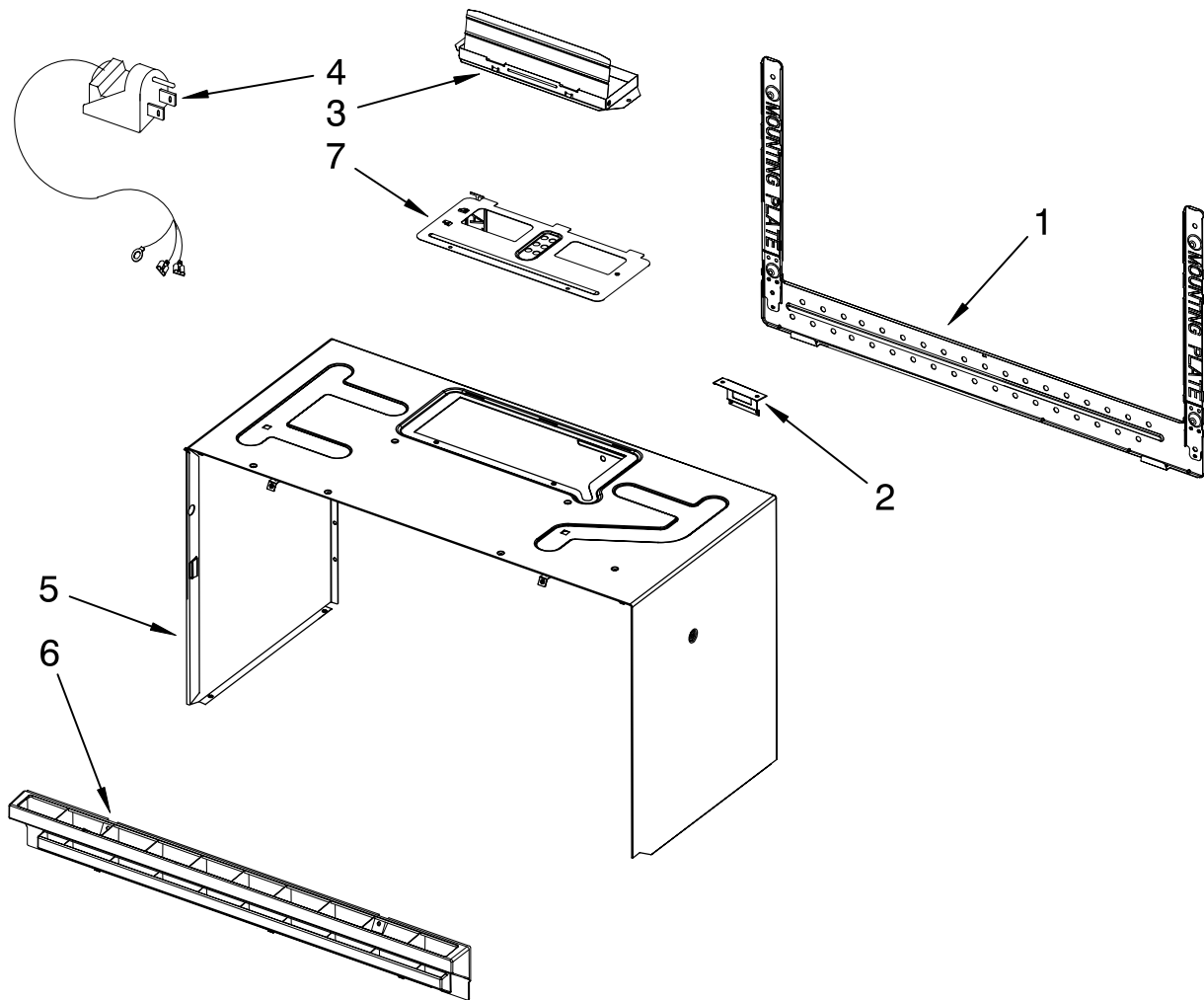
Illus. No.	Part No.	DESCRIPTION
5	8206227	Ring, Turntable
6	8206228	Driver, Turntable
7	8183953	Motor, Turntable

FOR ORDERING INFORMATION REFER TO PARTS PRICE LIST

CABINET AND INSTALLATION PARTS

For Models: MH1160XSQ1, MH1160XSB1

(White) (Black)



Illus. No.	Part No.	DESCRIPTION
1	8206315	Plate, Mounting
2	8206385	Support, Wire Clip
3	8206442	Damper Assembly
4	8206388	Cord, Power

Illus. No.	Part No.	DESCRIPTION
5	8206337	Case, Outer
	8206338	Black
6	8206390	Grille, Vent
	8206391	White
	8206391	Black
7	8206336	Plate, Damper

Illus. No.	Part No.	DESCRIPTION
Miscellaneous		
	8206614	Installation, Hardware
	8205871	Template, Upper
	W10138802	Screw, Top Mountng
	W10107710	Main Harness
	8205635	Ground Wire Assy
	8206415	H.V. Wire Assy
	W10107760	Grnd Wire, Filter
	W10138804	Hdlmp/TT Wire Assy
	W10107740	HV Trnsfmr Wr Assy
	W10107770	Harness Wire, NTC

FOR ORDERING INFORMATION REFER TO PARTS PRICE LIST