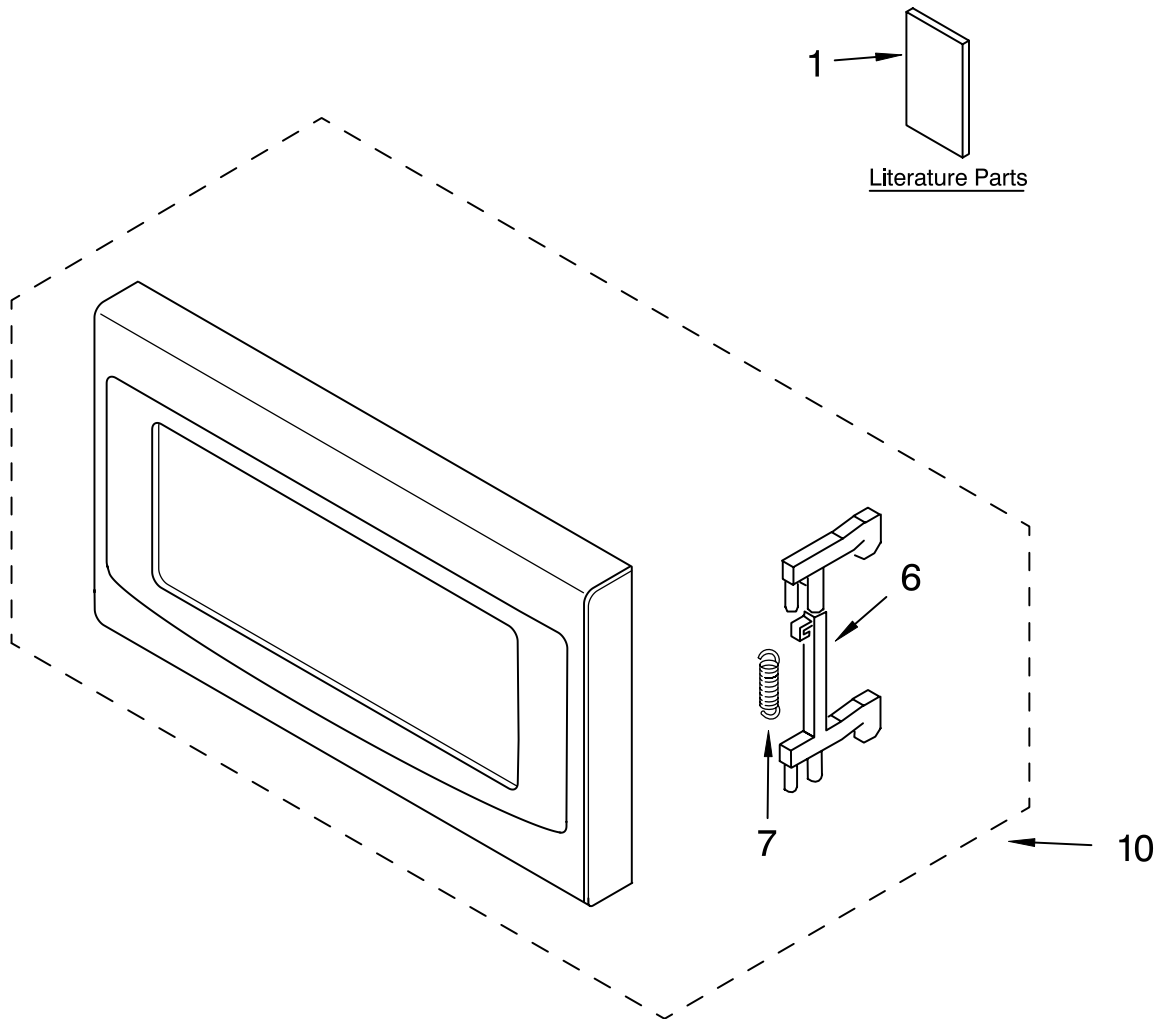




DOOR PARTS

For Models: GT4175SPB2, GT4175SPQ2, GT4175SPS2, GT4175SPT2
(BLACK)(DESIGNER WHITE)(STAINLESS STEEL)(BISCUIT)

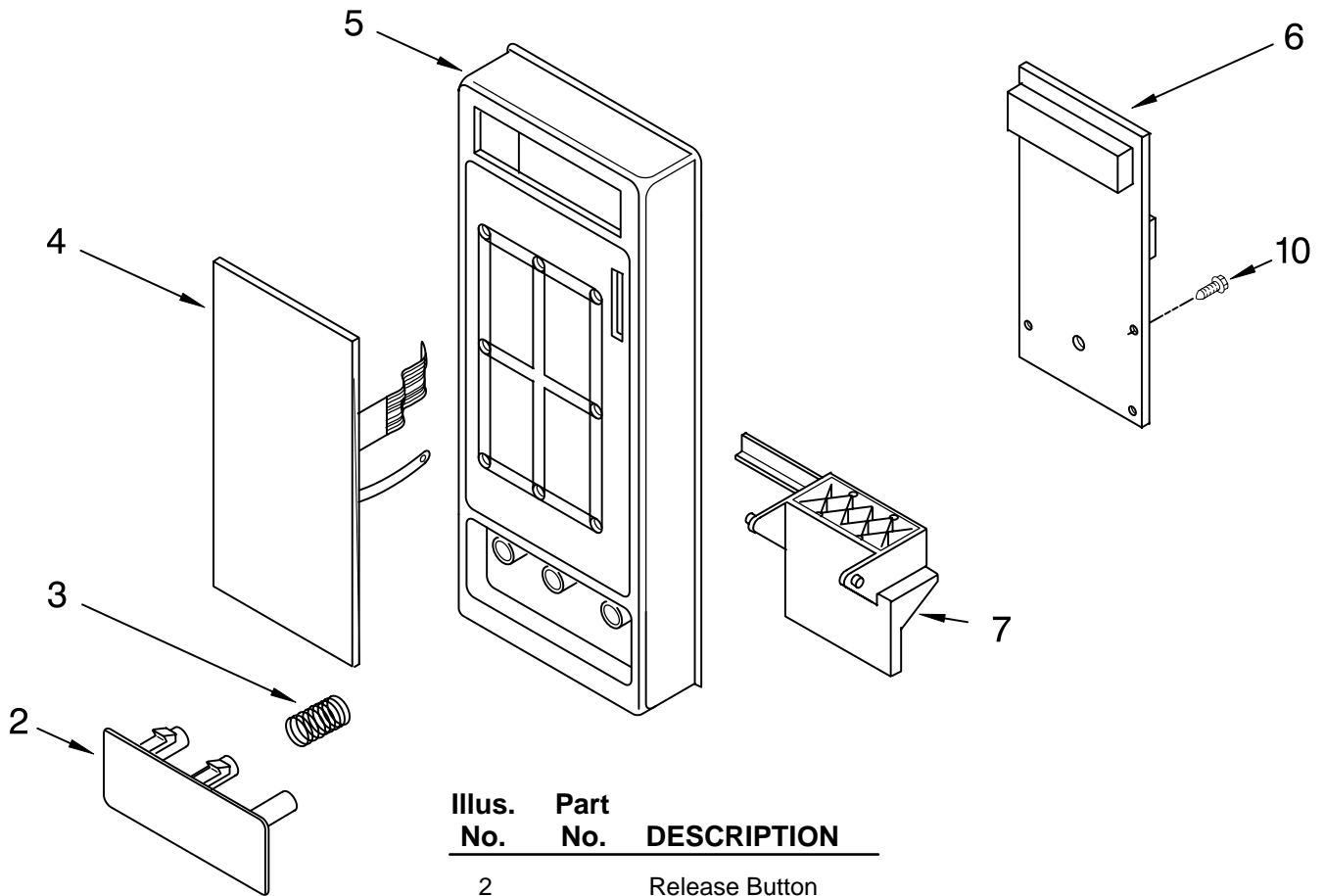
MICROWAVE OVEN
1.7 CUBIC FOOT



| Illus. No. | Part No. | DESCRIPTION |
|-------------------|-----------------|--------------------|
| 1 | | Literature |
| | 8205989 | Use & Care Guide |
| | 8205086 | Cook Guide Label |
| | 8205087 | Tech Sheet |
| 6 | 8184263 | Latch |
| 7 | 8205503 | Spring, Latch |
| 10 | | Door Assembly |
| | 8205514 | White |
| | 8205502 | Black |
| | 8205523 | Stainless |
| | 8205518 | Biscuit |

CONTROL PANEL PARTS

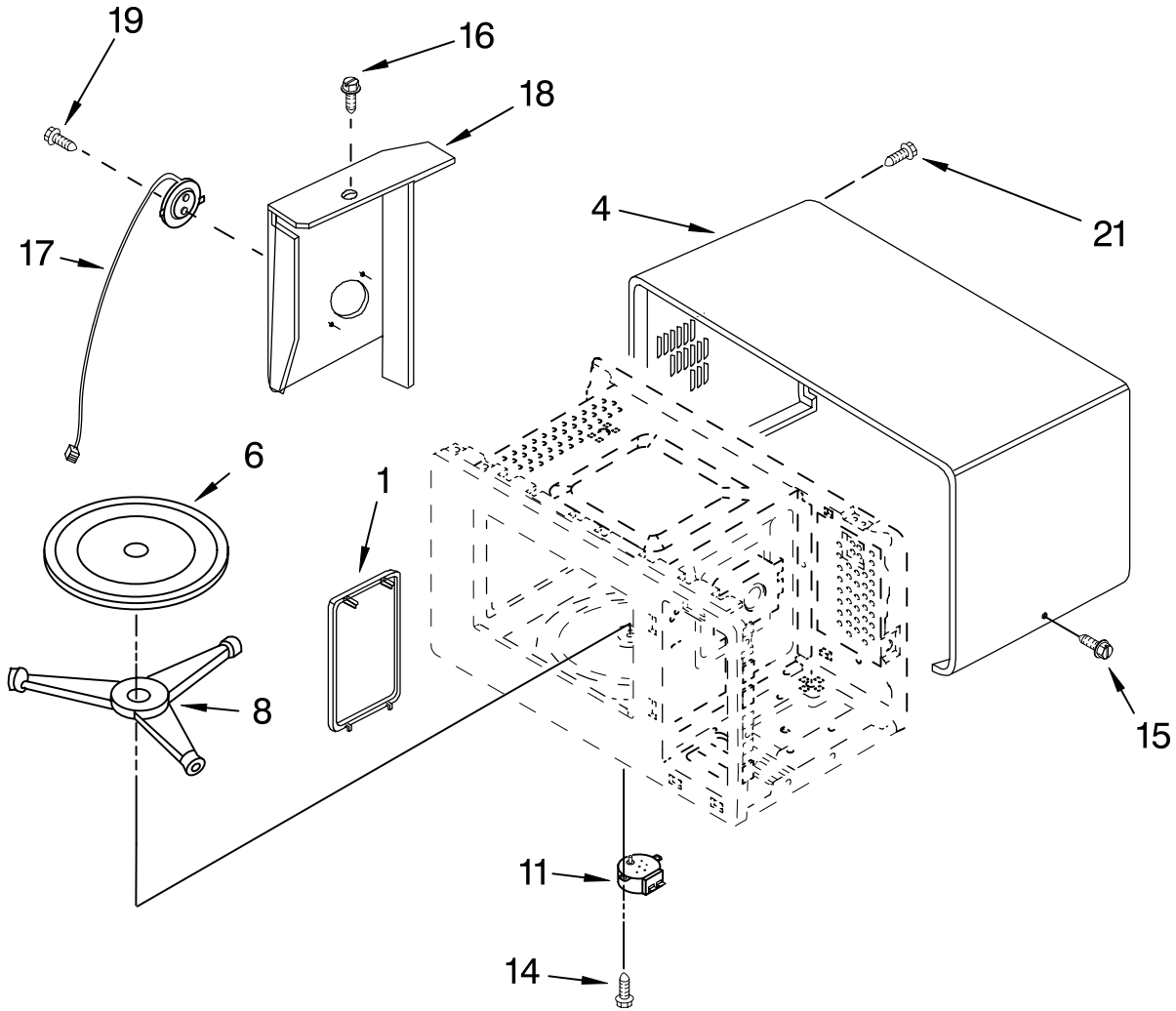
For Models: GT4175SPB2, GT4175SPQ2, GT4175SPS2, GT4175SPT2
(BLACK)(DESIGNER WHITE)(STAINLESS STEEL)(BISCUIT)



| Illus. No. | Part No. | DESCRIPTION |
|------------|----------|----------------------|
| 2 | 8205516 | Release Button White |
| | 8205506 | Black |
| | 8205525 | Stainless |
| | 8205521 | Biscuit |
| 3 | 8184272 | Spring, Button |
| 4 | | Key Membrane |
| | 8205515 | White |
| | 8205504 | Black |
| | | Stainless |
| | | (Included in #5) |
| | 8205519 | Biscuit |
| 5 | | Control Panel |
| | 8205528 | White |
| | 8205505 | Black |
| | 8205524 | Stainless |
| | | (Includes #4) |
| | 8205520 | Biscuit |
| 6 | 8205507 | P.C.B Sub Assembly |
| 7 | 8205451 | Lever, Release |
| 10 | 4358883 | Screw |

OVEN CAVITY PARTS

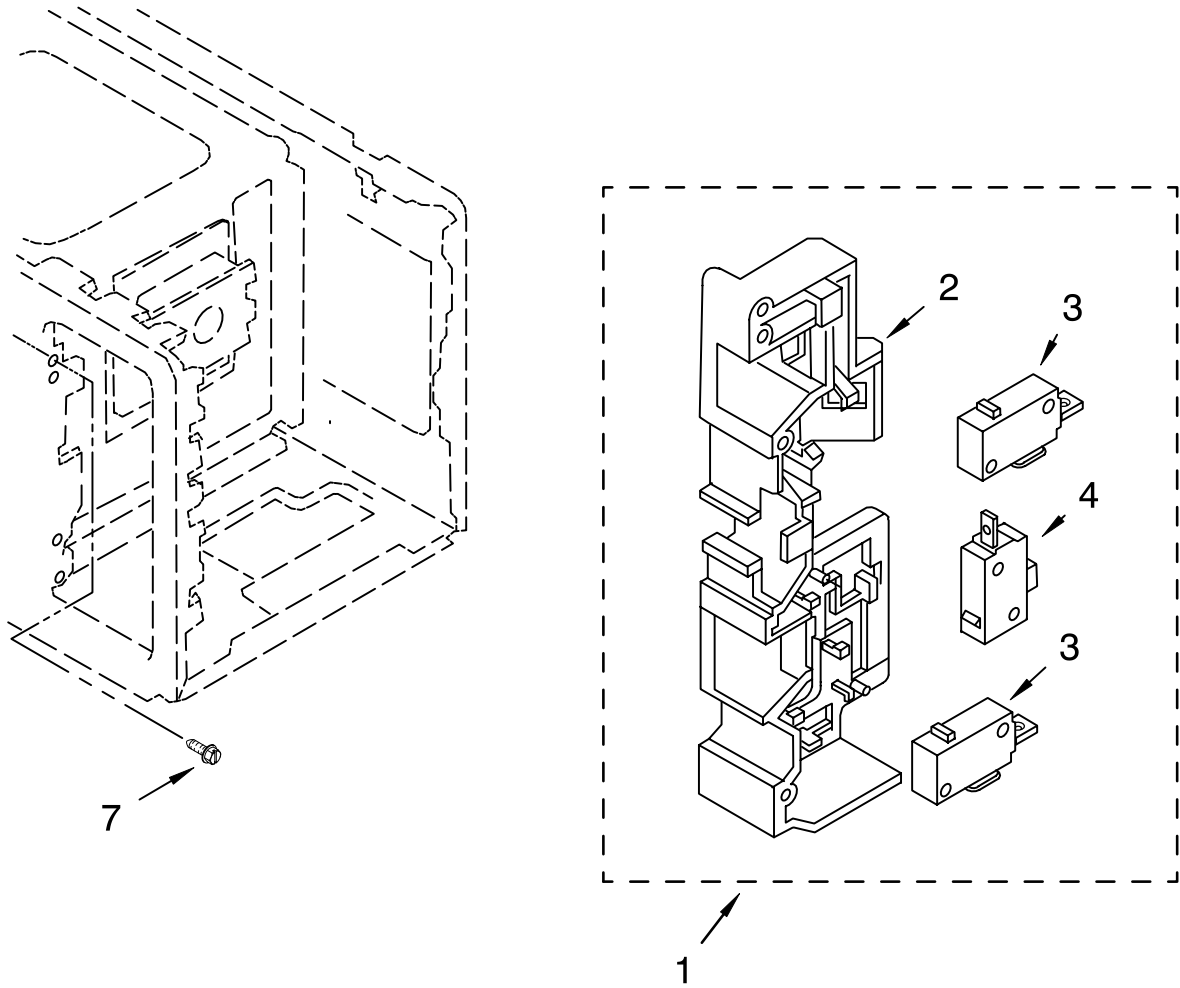
For Models: GT4175SPB2, GT4175SPQ2, GT4175SPS2, GT4175SPT2
(BLACK)(DESIGNER WHITE)(STAINLESS STEEL)(BISCUIT)



| Illus. No. | Part No. | DESCRIPTION |
|------------|----------|--------------------|
| 1 | 8184278 | Canopy |
| 4 | 8205517 | Outer Case |
| | 8205508 | White |
| | 8205522 | Black |
| | 8205522 | Biscuit |
| 6 | 8205150 | Tray, Glass |
| 8 | 8205151 | Turntable Support |
| 11 | 8184375 | Motor, Synchronous |
| 14 | 4358188 | Screw |
| 15 | | Screw |
| | 4358362 | White |
| | 4358829 | Black |
| 16 | 4358192 | Screw |
| 17 | 8183514 | Sensor, Humidity |
| 18 | 8205510 | Guide, Sensor |
| 19 | 4358376 | Screw |
| 21 | 8171862 | Screw |

LATCH BOARD PARTS

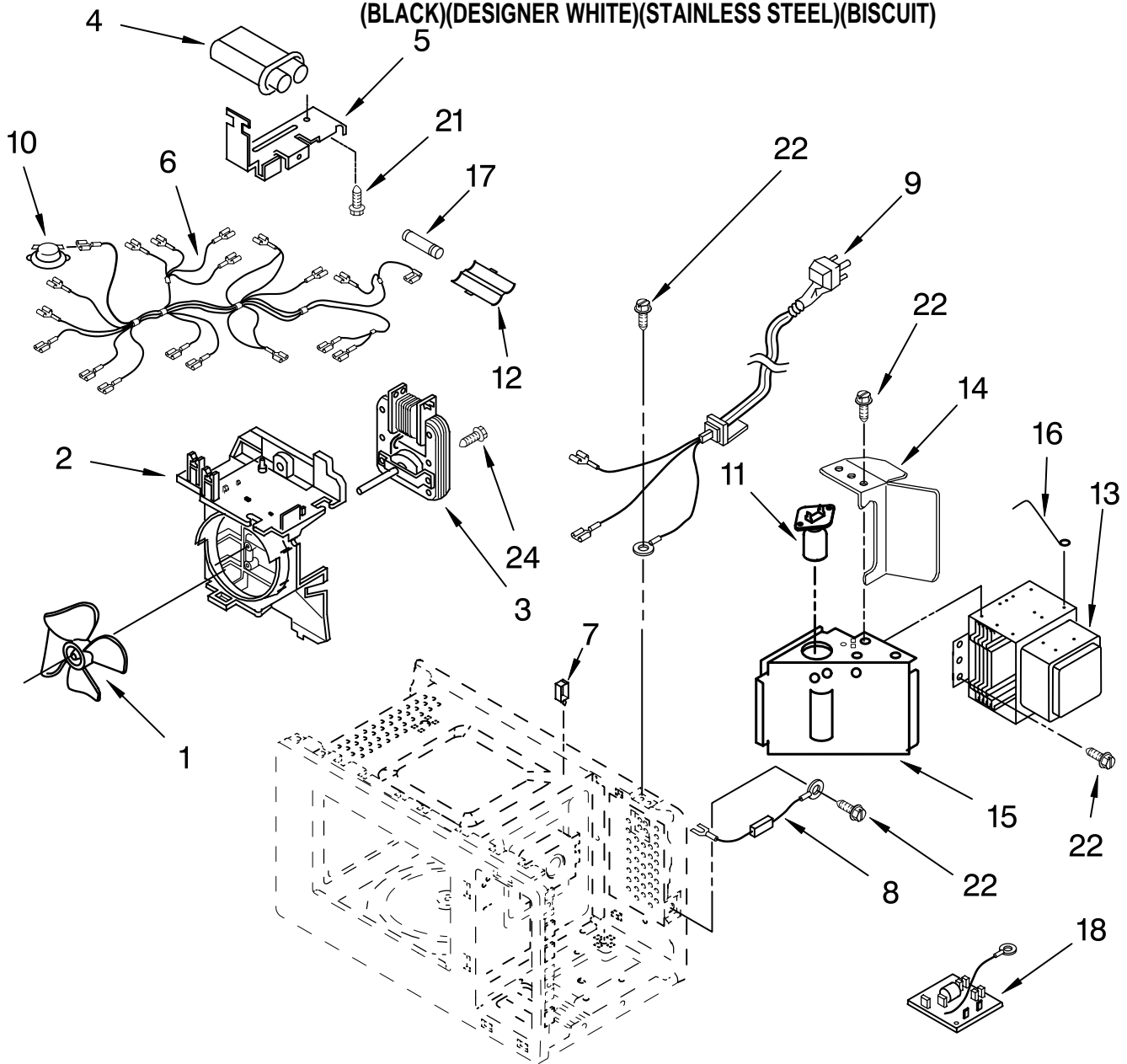
For Models: GT4175SPB2, GT4175SPQ2, GT4175SPS2, GT4175SPT2
(BLACK)(DESIGNER WHITE)(STAINLESS STEEL)(BISCUIT)



| Illus. No. | Part No. | DESCRIPTION |
|-------------------|-----------------|---|
| 1 | | Latch Board Assembly (Non-Serviceable) |
| 2 | 8185271 | Latch Board |
| 3 | 4392027 | Switch Micro Primary |
| 4 | 8183562 | Switch, Micro Monitor |
| 7 | 4358271 | Screw |

OVEN INTERIOR PARTS

For Models: GT4175SPB2, GT4175SPQ2, GT4175SPS2, GT4175SPT2
(BLACK)(DESIGNER WHITE)(STAINLESS STEEL)(BISCUIT)



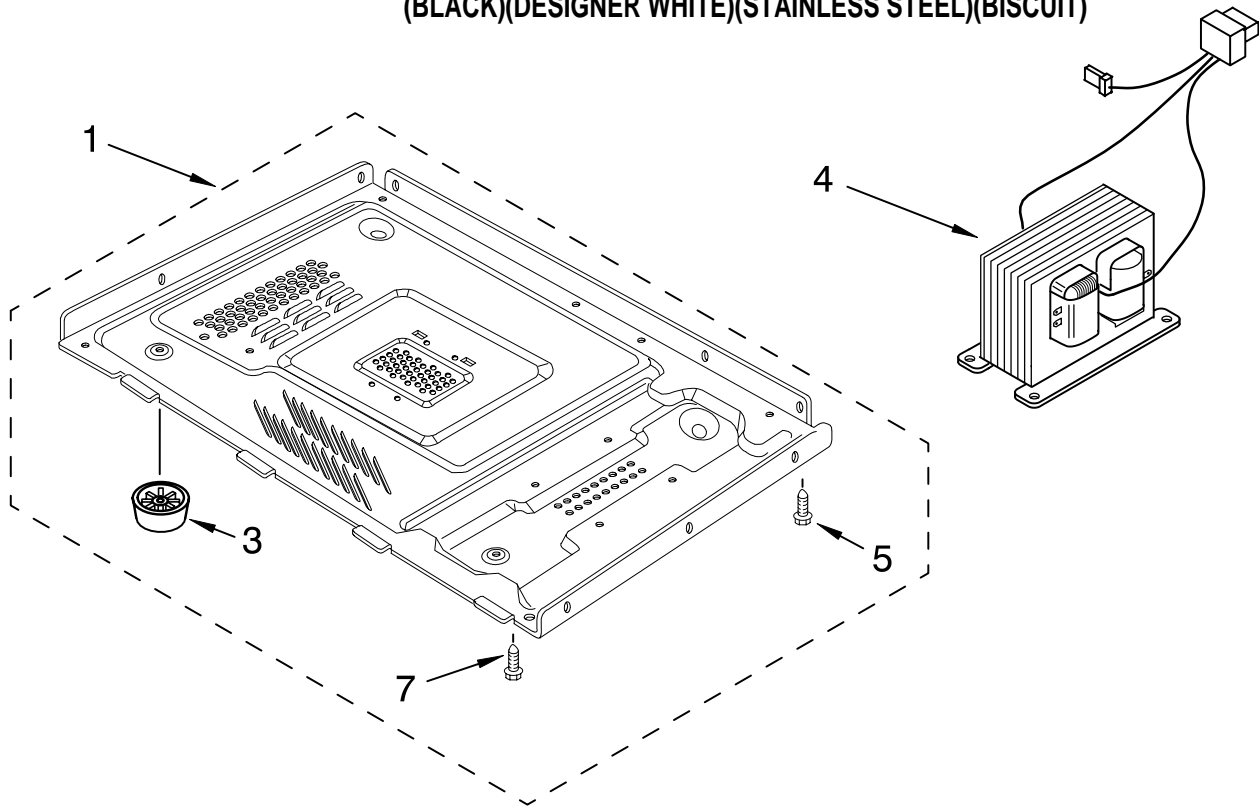
| Illus. No. | Part No. | DESCRIPTION |
|------------|----------|-------------------|
| 1 | 8205458 | Blade, Fan |
| 2 | 8205456 | Guide, Suction |
| 3 | 8205462 | Motor, Fan |
| 4 | 8185272 | H.V. Capacitor |
| 5 | 8184288 | H.V.C Bracket |
| 6 | 8206282 | Leadwire Assembly |
| 7 | 4359794 | Holder, Wire |

| Illus. No. | Part No. | DESCRIPTION |
|------------|----------|------------------|
| 8 | 8205489 | H.V. Diode Cable |
| 9 | 8206281 | Power Cord |
| 10 | 8185274 | Thermostat |
| 11 | 8171810 | Lamp, Baseless |
| 12 | 8205483 | Cap, Fuse |
| 13 | 8171901 | Magnetron |
| 14 | 8205509 | Bracket |

| Illus. No. | Part No. | DESCRIPTION |
|------------|----------|------------------|
| 15 | 8204900 | Duct, Air |
| 16 | 8205511 | Bracket, Support |
| 17 | 815174 | Fuse |
| 18 | 8206270 | Filter, Noise |
| 21 | 4358381 | Screw |
| 22 | 4358489 | Screw |
| 24 | 4358190 | Screw |

BASE PLATE PARTS

For Models: GT4175SPB2, GT4175SPQ2, GT4175SPS2, GT4175SPT2
(BLACK)(DESIGNER WHITE)(STAINLESS STEEL)(BISCUIT)



| Illus. No. | Part No. | DESCRIPTION |
|------------|----------|-----------------|
| 1 | 8205513 | Base Plate Assy |
| 3 | 8184385 | Leg |
| 4 | 8205512 | Transformer |
| 5 | 4358192 | Screw |
| 7 | 4358489 | Screw |

ACCESSORY PARTS

| | |
|-----------|---------------|
| | Trim Kits |
| MK1177SPQ | 27" White |
| MK1177SPB | 27" Black |
| MK1177SPS | 27" Stainless |
| MK1177SPT | 27" Biscuit |
| MK1170SPQ | 30" White |
| MK1170SPB | 30" Black |
| MK1170SPS | 30" Stainless |
| MK1170SPT | 30" Biscuit |