

INSTALLATION INSTRUCTIONS

For Built-in Microwave Ovens

Oven
Model
MBB

Built-In
Trim Kits
Models:
MT27B
MT30B
(Sold Separately)

Thermador[®]

Please read this entire manual before proceeding

IMPORTANT:	Local codes vary. Installation, electrical connections, circuit breakers and grounding must comply with all applicable codes. Save these instructions for your local electrical inspector's use.
INSTALLER:	Please leave these Installation Instructions with this unit for the owner.
OWNER:	Please retain these instructions for future reference.
WARNING:	Disconnect power at the breaker before installing.

Table of Contents

Step 1:	Unpacking	3
Step 2:	Cabinet Preparation	4
Step 3:	Electrical Installation.....	5
Step 4:	Installing the Trim Kit.....	5
Step 5:	Installing the Microwave Oven	6

Step 1: Unpacking

A. Microwave Oven Model MBB

Open the box and carefully remove all fillers and packing material. Your new Thermador microwave includes the following:

- Care & Use manual (1)
- Quick Guide (1)
- Warranty Card (1)
- Turn Table (1)
- Turn Table Support (1)

B. Trim Kit Models MT27B & MT30B

Open the box and carefully remove all fillers and packing materials.

Parts list:

- Trim Frame (1)
- Base Pan (1)
- Trim Bracket (2)
- Side Duct (1)
- Upper Exhaust Duct (1)
- Top Intake Duct (1)
- Rear Intake Duct (1)
- Installation Instructions (1)
- 10-foot Roll Tape (1)
- Screws #8x¹/₄" (20)
- Grommet (1)
- Template (1)

Table 1

	Trim Kits	Microwave Ovens
30" cabinet	MT30BB (Black) MT30BW (White) MT30BS (Stainless)	MBBB MBBW MBBS
27" cabinet	MT27BB (Black) MT27BW (White) MT27BS (Stainless)	MBBB MBBW MBBS

Caution:

- Trim kits are designed for use only with the Thermador microwave oven models listed (See Table 1).
- For safety, do not alter or modify any part of this kit or oven.

Step 2: Cabinet Preparation

- The cabinet cutout dimensions are shown in Figure 1.
- It is a good practice when the microwave oven is installed at the end of a cabinet run, adjacent to a perpendicular wall or cabinet door, to allow at least 1/4" space between the side of the trim and wall or door.
- Your microwave oven can be installed into a cabinet or wall by itself or above any of the following Thermador wall ovens: C271, C301, CM301, S301, SC301. Or, Thermador Warming Drawers WD27 and WD30 (see Figure 2).
- Outlet can be located anywhere within the shaded area as indicated in Figure 1.

	Trim Kits	Dimensions
Width (B)	MT30B MT27B	28-1/2" ± 1/16" 25-1/2" ± 1/16"
Height (A)	All Trim Kits	17" ± 1/16"
Depth (C)	All Trim Kits	24" ± 1/8"

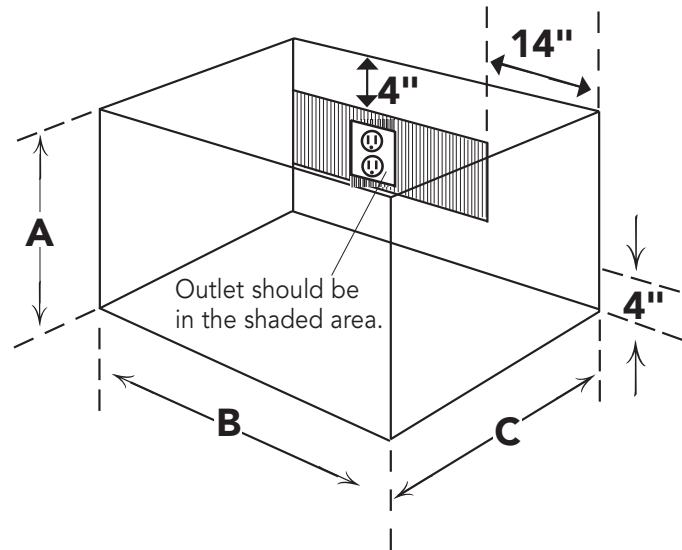


Figure 1

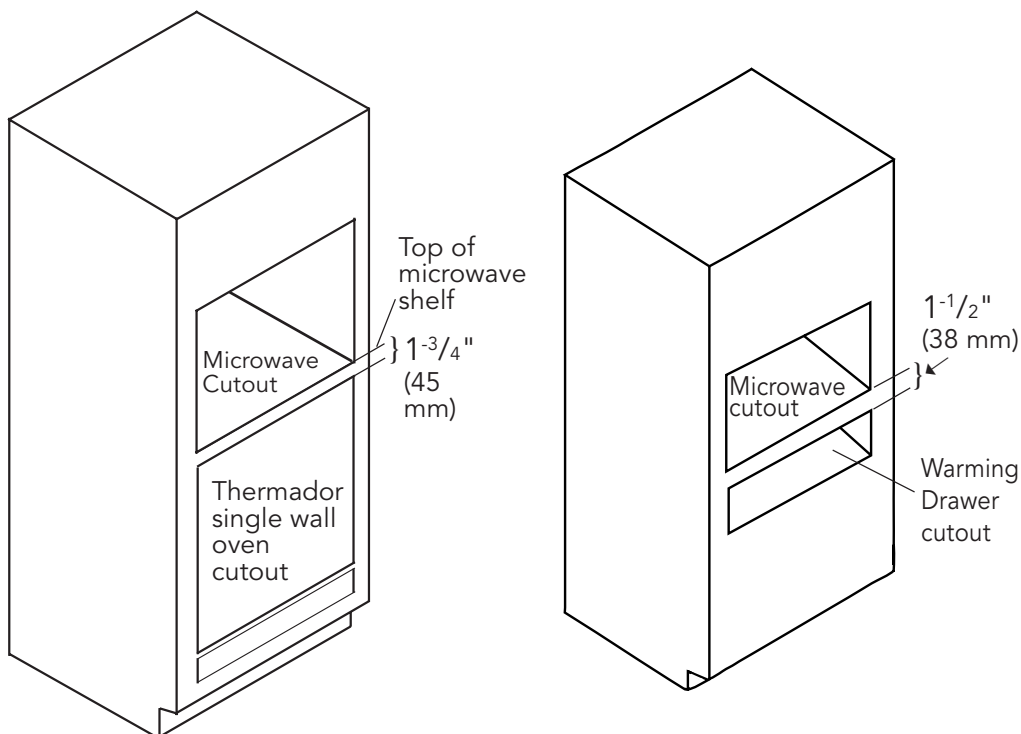


Figure 2

Step 3: Electrical Installation

The Thermador microwave oven is equipped with a grounded cord. The wall receptacle must be installed and grounded in accordance with the national electrical code. Also, electrical connections and grounding must comply with all applicable local codes.

The electrical requirements for a separate circuit serving only this microwave oven are: 120V, 60Hz, 20Amps

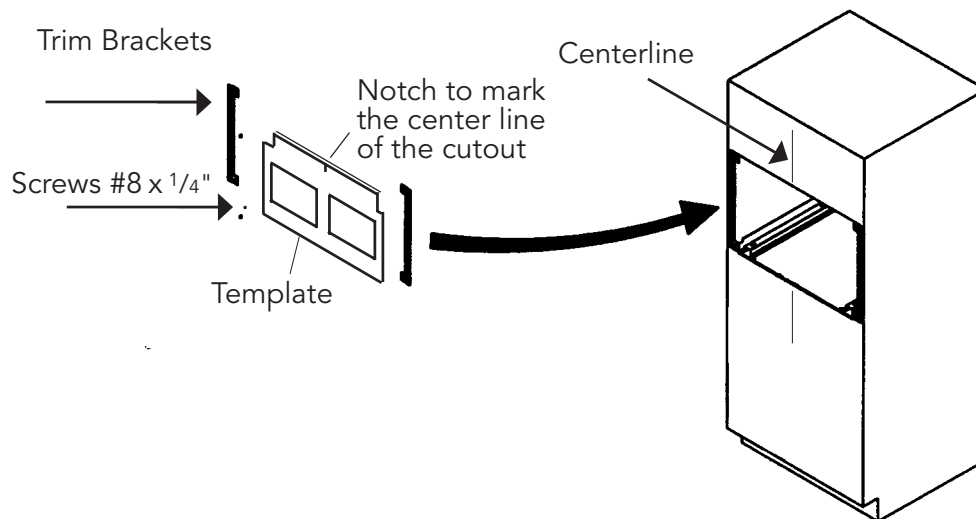
Step 4: Installing the Trim Kit

Position the two vertical trim brackets using the template as shown on Figure 3.

Mark the center line of the cutout using the template.

The template is used to locate the positions of the left and right trim brackets with respect to the cut out. The trims are secured with three (3) screws each and the template is discarded thereafter.

Figure 3



Step 5: Installing The Microwave Oven

Note: The four (4) ducts have a plastic covering that must be removed prior to installing them onto the microwave.



WARNING

These ducts have sharp edges. Be careful when handling.

1. Position the oven's four (4) cone-shaped legs on the base pan's four (4) large holes. Fasten with five (5) screws #8 x1/4".
2. Remove and retain Outer Case Screw at left side of the oven.
3. Position Side Duct on left side of oven. Fasten with outer case screw removed in Step 2.
4. Position Upper Exhaust Duct on top (hinge side) of oven and fasten it together with Side Duct by using two (2) screws #8 x1/4".
5. Remove and retain Outer Case Screw at rear of the oven (right side).
6. Install the Grommet and the electrical cord of the microwave in the receiving hole provided in the Rear Intake Duct and position this duct on rear of the oven (right side). Fasten with Outer Case Screw.
7. Position Top Intake Duct on upper right side of oven and fasten it together with rear intake duct by using four (4) screws #8 x1/4".
8. Secure all duct flanges to oven with tape provided. Press tape to secure properly.

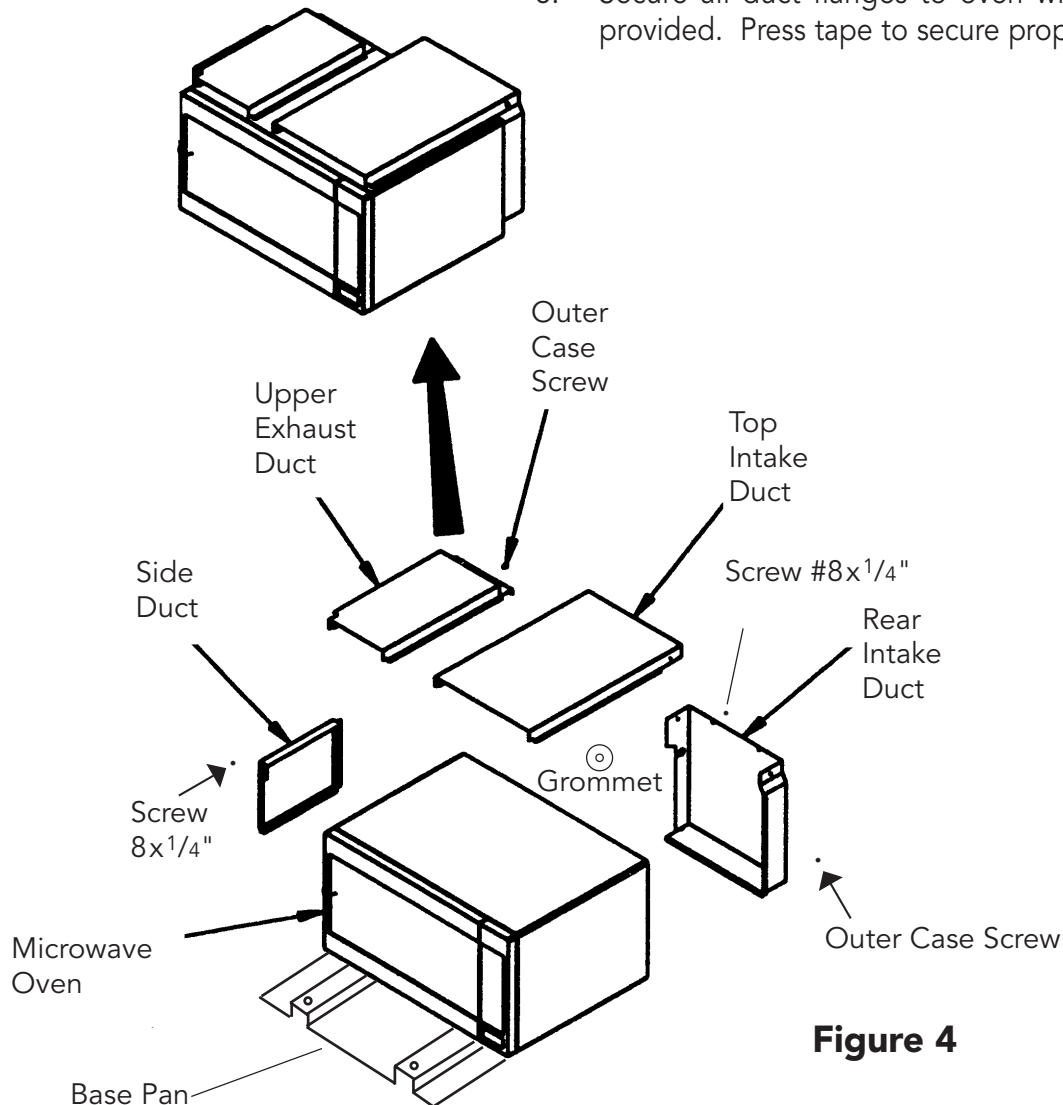


Figure 4

Step 5: Installing The Microwave Oven (continued)

9. Remove the left side vertical trim bracket (three screws) (MT27B only).
10. Slide the assembled microwave oven part way into the prepared cabinet cutout. Plug the electrical cord in the wall receptacle (ask for help from another person). Slide oven in the rest of the way into the cabinet. Position base pan on cabinet shelf with respect to the center line as shown on Figure 5. The front end of pan should align flush with the front edge of the shelf. Fasten base pan to shelf with two (2) screws #8 x 1/4.
11. Re-install the left side vertical trim bracket (MT27B only).
12. Snap on the frame trim with the Thermador logo above the microwave door (Figure 6).
13. Install the turntable support and the turntable inside the microwave oven.
14. Follow the Care & Use manual for operating instructions.

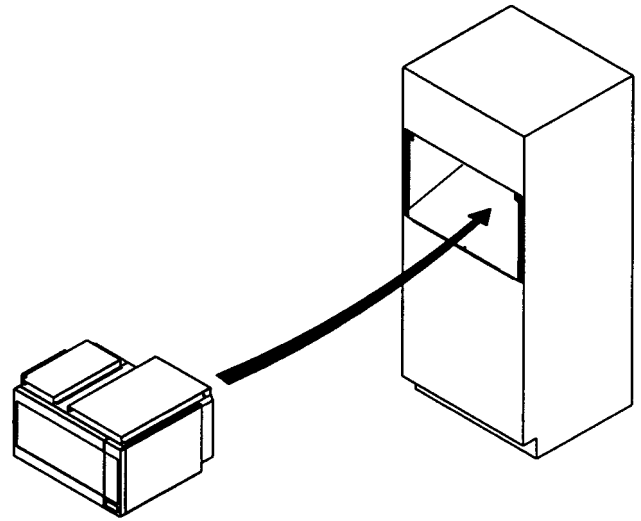


Figure 5

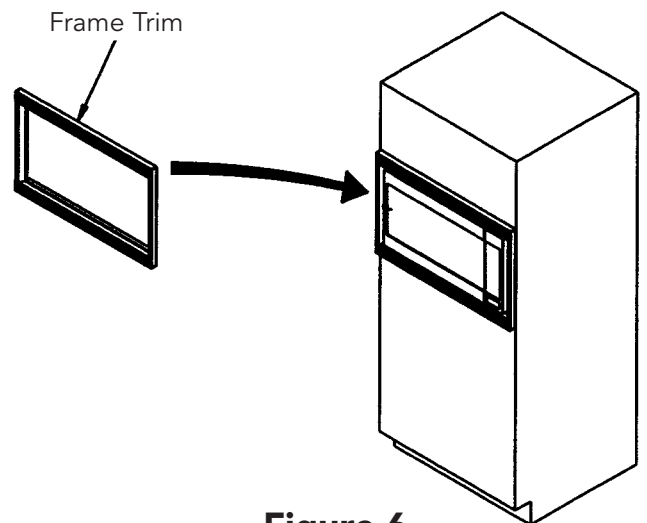


Figure 6

Thermador reserves the right to change specifications or design without notice. Some models are certified for use in Canada. Thermador is not responsible for products which are transported from the United States for use in Canada. Check with your local Canadian distributor or dealer. Thermador, 5551 McFadden Avenue, Huntington Beach, CA 92649.

For the most up-to-date critical installation dimensions by fax, use your fax handset and phone 702/833-3600. Use code #8030.

Thermador[®]

BSH Home Appliances Corporation

5551 McFadden Avenue, Huntington Beach, CA 92649 • 800/735-4328
RO2003M • 5020009162A • © 2003 BSH Home Appliances Corp. • Litho Date 7/03