

# Microwave Drawer INSTALLATION MANUAL

## SPECIAL WARNING

**INSTALLATION AND SERVICE MUST BE PERFORMED BY A QUALIFIED INSTALLER.  
IMPORTANT: SAVE THIS INSTALLATION MANUAL FOR LOCAL ELECTRICAL  
INSPECTOR'S USE.  
READ AND SAVE THESE INSTRUCTIONS FOR FUTURE REFERENCE.**

## CLEARANCES AND DIMENSIONS

For **SAFETY CONSIDERATIONS** do not install drawer in any combustible cabinetry, which is not in accord with the stated clearances and dimensions on pages 2 and 3. See Figures 1 and 2.



MICROWAVE DRAWER

UNPACKING YOUR MICROWAVE DRAWER .....	2	ELECTRICAL OUTLET .....	4
IMPORTANT NOTES .....	2	GROUNDING INSTRUCTIONS .....	4
IMPORTANT SAFETY INSTRUCTIONS .....	2	DRAWER INSTALLATION .....	4
CLEARANCES AND DIMENSIONS .....	2	MODEL AND SERIAL NUMBER LOCATION .....	4
MICROWAVE DRAWER MEASUREMENTS .....	3	CARE, CLEANING AND MAINTENANCE .....	4
ANTI-TIP BLOCK .....	3		

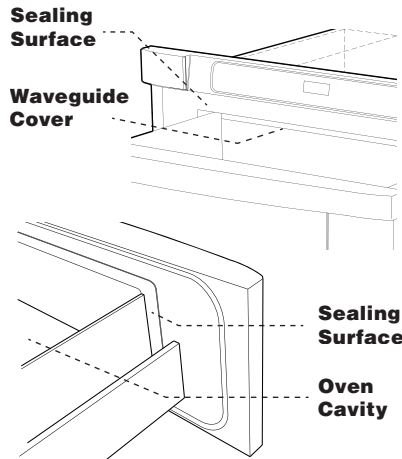
**SHARP**<sup>®</sup>

INSIGHT·PRO<sup>™</sup>

# INSTALLATION MANUAL

## UNPACKING YOUR MICROWAVE DRAWER

- Remove all packing materials from inside the Microwave Drawer. **DO NOT REMOVE THE WAVEGUIDE COVER**, which is located on the top of the Microwave Drawer.
- Remove the feature sticker, if there is one. Check the drawer for any damage, such as misaligned or bent drawer, damaged drawer seals and sealing surfaces, broken or loose Microwave Drawer guides and dents inside the cavity or on the front side of the drawer. If there is any damage, do not operate the Microwave Drawer and contact your dealer or a SHARP AUTHORIZED SERVICER.



## IMPORTANT NOTES TO THE INSTALLER

- Read all of the Installation Manual before installing the Microwave Drawer.
- Remove all packing material before connecting the electrical supply.
- Observe all governing codes and ordinances.
- Be sure to leave these instructions with the consumer.

## IMPORTANT NOTES TO THE CONSUMER

Keep this manual with your Operation Manual for future reference.

- As when using any microwave oven generating heat, there are certain safety precautions you should follow. These are listed in the Operation Manual. Read all and follow carefully.
- Be sure your Microwave Drawer is installed and grounded properly by a qualified installer or service technician.

## IMPORTANT SAFETY INSTRUCTIONS

**WARNING** If the information in this manual is not followed exactly, a fire or electrical shock may result that could cause property damage, personal injury or death.

**WARNING** To reduce the risk of tipping, the Microwave Drawer must be secured by a properly installed Anti-Tip block.

- This Microwave Drawer must be electrically grounded in accordance with local codes.
- Make sure the wall coverings and the cabinets around the Microwave Drawer can withstand the heat generated by the Microwave Drawer.

**WARNING** Never leave children alone or unattended in the area where a Microwave Drawer is in use. Never leave the drawer open when the microwave is unattended.

**WARNING** Stepping, leaning or sitting on the drawer may result in serious injuries and can also cause damage to the Microwave Drawer.

- **Do not use the Microwave Drawer as a storage space.** This creates a potentially hazardous situation.
- Check that the time-of-day is in the display. If not, touch **Stop/Clear** to prevent unintended use.

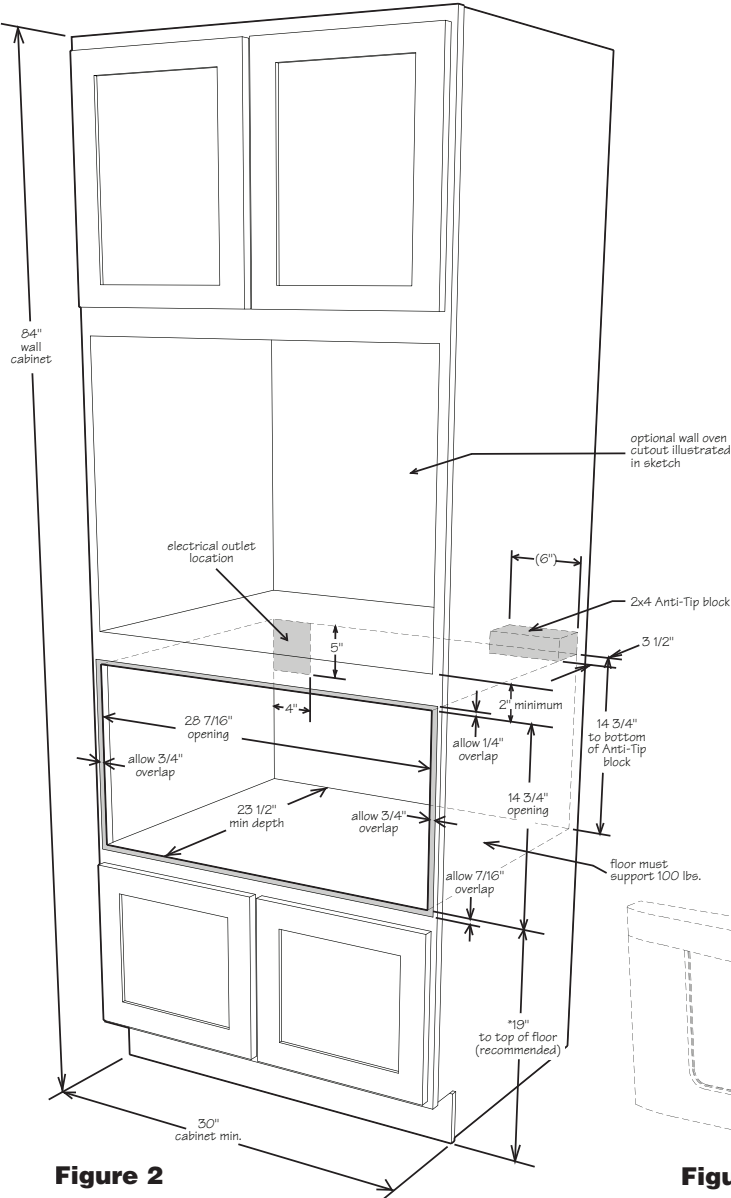
## CLEARANCES AND DIMENSIONS

- Dimensions that are shown in Figures 1 and 2 must be used. Given dimensions provide minimum clearance. Locate electrical outlet in the shaded area in the upper left-hand corner of the cutout.
- Contact surface must be solid and level. Pay special attention to the floor on which the Microwave Drawer will sit. The floor of the opening should be constructed of plywood strong enough to support the weight of the oven (about 100 pounds).
- Check location where the Microwave Drawer will be installed for proper electrical supply.
- Your oven can be built into a cabinet or wall by itself or under a specific electric wall oven listed below.

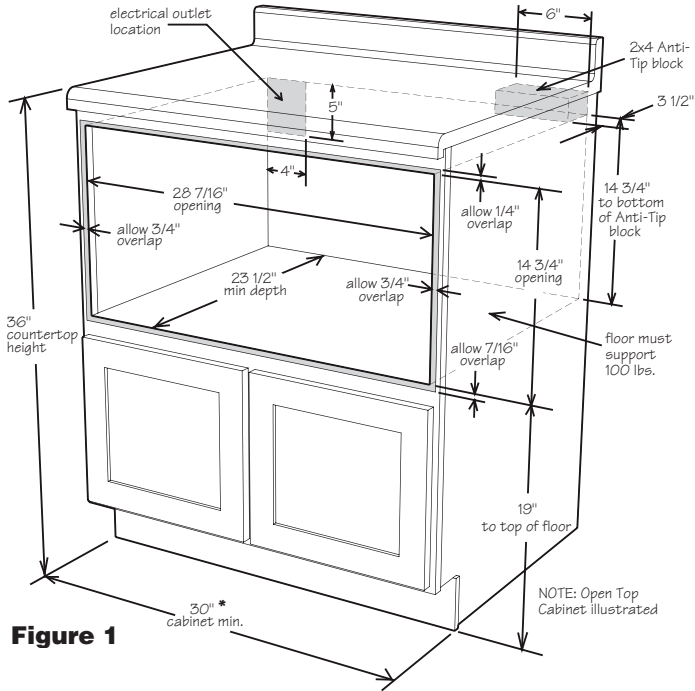
Electrolux	E30EW75DSS1
Kitchen Aid	KEBC107KBLO
Frigidaire	PLEB30S8CCC
Viking	DES0100
Wolf	S030F/S

- Be sure that the clearance of the floor between the wall oven and the microwave drawer is a minimum of 2-inches.
- For updates of approved appliances that can be used adjacent to the Microwave Drawer go to [www.sharpsusa.com](http://www.sharpsusa.com).
- The microwave interior will easily accommodate a 9" x 13" oblong dish or a bag of microwave popcorn.

**MICROWAVE DRAWER MEASUREMENTS**

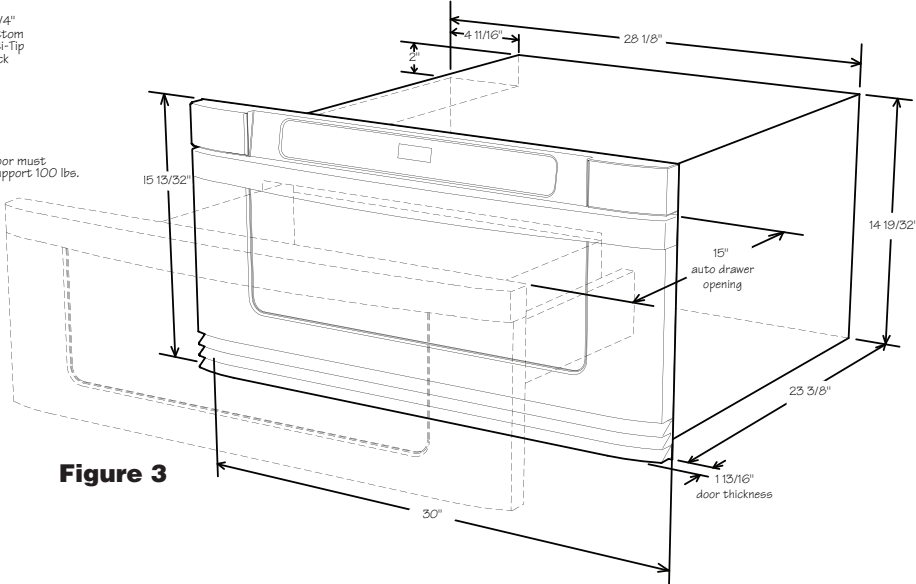


**Figure 2**



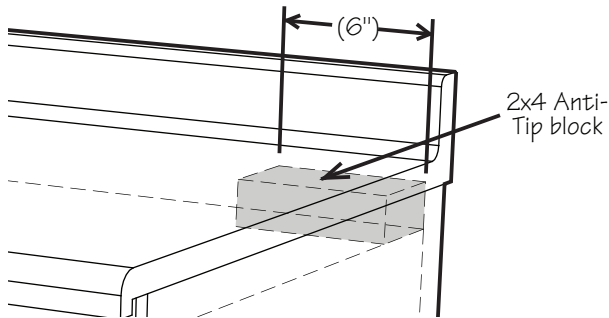
**Figure 1**

Figures 1 and 2 contain many Microwave Drawer measurements for reference when planning the drawer's location.



**Figure 3**

**ANTI-TIP BLOCK**



**Figure 4**

**NORMAL INSTALLATION STEPS**

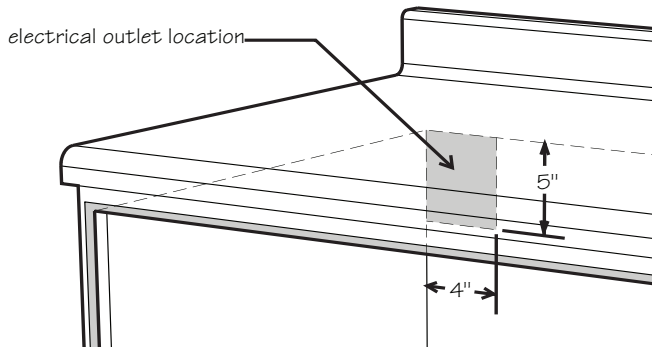
**ANTI-TIP BLOCK INSTALLATION INSTRUCTIONS**

To reduce the risk of tipping of the drawer, the Anti-Tip block must be properly installed located 14 3/4-inches above the floor on which the Microwave Drawer will sit. The 6-inch 2 x 4 Anti-Tip block must be provided by the installer. See Figures 1, 2 and 4. The Anti-Tip block prevents serious injury that might result from spilled hot liquids.

If the Microwave Drawer is ever moved to a different location, the Anti-Tip block must also be moved and installed. When installed to the wall, make sure that the screws completely penetrate the dry wall and are secured in wood or metal so that the block is totally stable. When fastening, be sure that the screws do not penetrate electrical wiring or plumbing.

# INSTALLATION MANUAL

## ELECTRICAL OUTLET



**Figure 5**

The electrical requirements are a 120 volt 60 Hz, AC only, 15 amp. or more protected electrical supply. It is recommended that a separate circuit serving only this appliance be provided.

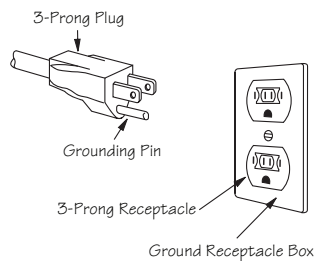
The drawer is equipped with a 3-prong grounding plug. It must be plugged into a wall receptacle that is properly installed and grounded. Should you only have a 2-prong outlet, have a qualified electrician install a correct wall receptacle.

**Note:** If you have any questions about the grounding or electrical instructions, consult a qualified electrician or service person.

## GROUNDING INSTRUCTIONS

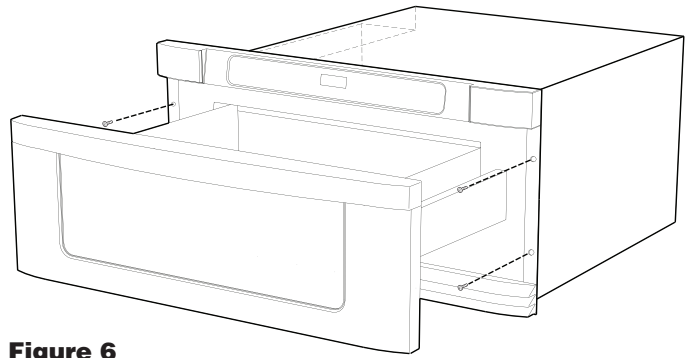
This appliance must be grounded. The Microwave Drawer is equipped with a cord having a grounding wire with a grounding plug. It must be plugged into a wall receptacle that is properly installed and grounded in accordance with the National Electrical Code and local codes and ordinances. In the event of an electrical short circuit, grounding reduces risk of electric shock by providing an escape wire for the electric current.

### Permanent and Correct Installation



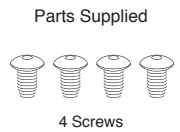
**⚠ WARNING** – Improper use of the grounding plug can result in a risk of electric shock.

## DRAWER INSTALLATION



**Figure 6**

1. Place the drawer adjacent to the wall or cabinet opening. Plug the power supply cord into the electrical outlet.
2. Carefully guide the drawer into the prepared opening. Avoid pinching the cord between the oven and the wall.
3. Slide the drawer all the way until the mounting flange is flush with the face of the cabinet.
4. Secure the drawer with the 4 screws supplied. See Figure 6.



## MODEL AND SERIAL NUMBER LOCATION

The name plate, including model and serial number, is located on the faceplate behind the Microwave Drawer front.

## CARE, CLEANING AND MAINTENANCE

Refer to the Operation Manual for cleaning instructions.

## BEFORE YOU CALL FOR SERVICE

Read the BEFORE YOU CALL and operating instruction sections in your Operation Manual. It may save you time and expense. The list includes common occurrences that are not the result of defective workmanship or materials in this range.

Refer to the warranty in your Operation Manual for Sharp's toll-free service number and address. Please call or write if you have inquiries about your microwave product and/or need to order parts.