



FEATURES

- 1 CENTRIS™ TECHNOLOGY**
PATENTED FEATURE
Provides smooth fingertip tilt in all directions using the screen's center of gravity. Screen angle stays set until you decide to re-adjust.
- 2 ADVANCED DISPLAY MOUNTING**
Teardrop hole pattern makes mounting the screen quick and easy.
- 3 INDEPENDENT ADJUSTMENT**
Adjust each screen independently for ergonomic alignment.
- 4 CABLE MANAGEMENT**
Conceal and protect cables using snap-on covers and cable clip



SPECIFICATIONS

Pole Height	14" (356 mm)
Max. Width Per Monitor	22.7" (577 mm)
Max. Height Per Monitor	26" (660 mm)
Tilt	±15°
Weight Capacity Per Monitor*	35 lbs (15.9 kg)
Grommet size	.38 - 3" (10 - 76 mm)
Colors	Black, Silver

*Weight capacity given for KTG220. See www.chiefmfg.com for more information on other product options.

WHAT YOU NEED TO KNOW

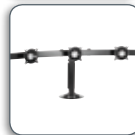
OTHER PRODUCT OPTIONS



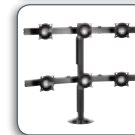
KTG225
Widescreen Dual
Hor. Grommet Mount



KTG230
Dual Vertical
Grommet Mount



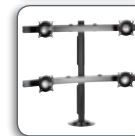
KTG320
Triple Horizontal
Grommet Mount



KTG330
Six Monitor
Grommet Mount

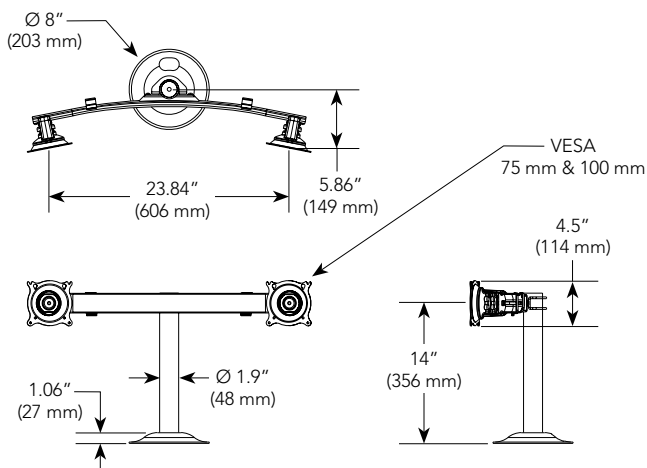


KTG440
Triple Horizontal
Grommet Mount



KTG445
Quad Monitor
Grommet Mount

TECHNICAL DRAWINGS



RECOMMENDED ACCESSORIES



KSA1007 □ Centris Quick
Release Interface



KTA1001 □ Array Connector



KTA1028 □ 28" Extension Column

For a complete list of monitor mount accessories see page 108.