



# Russell Hobbs

17 Litre Digital Microwave Oven



## **User's Manual**

Model number: RHM1719B

DCP: 0587- 062-0001

SKU: 7227033

Please read these instructions carefully and keep them for future reference

# Contents

	Page
<b>About this microwave oven .....</b>	<b>3</b>
<b>Safety instructions.....</b>	<b>4</b>
<b>Microwave oven Installation.....</b>	<b>5</b>
<b>Feature diagram.....</b>	<b>6</b>
<b>Connection to the mains supply.....</b>	<b>6</b>
<b>Control panel.....</b>	<b>7</b>
<b>Operating instructions.....</b>	<b>8</b>
Setting the clock.....	8
Setting the timer.....	8
Microwave cooking.....	8
Delayed start cooking.....	9
Quick start .....	9
Jet defrost.....	9
Weight defrost.....	10
Multistage cooking.....	10
Hints.....	10
Child safety lock.....	11
<b>Cleaning and care.....</b>	<b>11</b>
<b>Problem solving.....</b>	<b>12</b>
<b>Important utensil information.....</b>	<b>12</b>
<b>Non-rewireable mains plug.....</b>	<b>14</b>
<b>Specification.....</b>	<b>14</b>

## About this microwave oven

Microwaves are high-frequency electromagnetic waves similar to radio waves. While radio waves may vary in length from one metre to many kilometres, microwaves are very short (less than 12.5 centimetres). Microwaves do not make any heat themselves but only cause water molecules in food to vibrate. This vibration produces the heat that cooks the food. This is why your food will come out of the microwave piping hot, when your utensils inside the oven stay much cooler. The microwaves do not stay in the air or in the food when you open the microwave oven door.

The microwave oven will work using an ordinary household electrical socket. Inside the microwave oven is the magnetron, which turns the electrical energy into microwaves. Microwaves cannot go through metal, so the inside of the oven is lined with metal. The door is lined with a fine metal mesh which stops microwaves getting through. This means that when the microwave oven door is shut, there is no possibility that microwaves can be released. This is why the microwave oven has been made so that it will not work when the door is open.

Before you use your microwave oven

- 1 Remove all the packaging. **Do not remove** the small piece of card from the right hand side of the cavity wall. This is called a wave-guide cover and allows the microwaves to pass through to cook the food.
- 2 Check the oven after unpacking for any visual damage such as:
  - A misaligned door
  - Damage to the door
  - Dents or holes in the door window and screen
  - Dents in the inside

**If you can see any damage do not use the oven**

## Safety instructions

**Warning:** this oven must be positioned so that the plug is accessible and the plug socket is within easy reach of the power cord.

**Warning:** only allow children to use the oven without supervision when adequate instructions have been given so that the child is able to use the oven in a safe way and understands the hazards of improper use.

- Children should be supervised to ensure they do not play with the appliance, and the appliance and cable should be kept completely out of reach of young children.
- This appliance is not designed for use by children, or persons with reduced physical, sensory or mental capabilities, and should not be used by such persons unless they can do so safely. Where necessary, such persons (or anyone with lack of experience or knowledge) should first be given supervision or instruction concerning use of the appliance by a person responsible for their safety.

**Warning:** it is hazardous for anyone other than a competent person to carry out any service or repair operation which involves the removal of a cover which gives protection against exposure to microwave energy.

**Warning:** if the door or door seals are damaged, the oven must not be operated until it has been repaired by a competent person. The door seals are located around the window on the inside of the door. These seals are not airtight, although no microwaves can be released; it is normal for small amounts of air or steam to escape when the oven is in use.

**Warning:** liquids and other foods must not be heated in sealed containers, as they are liable to explode.

- Do not operate the microwave if damaged or after it malfunctions. In the event the supply cord is damaged, it must only be replaced by a qualified service engineer, with a suitably approved part.
- Keep the microwave, cable and plug dry, never immerse in water.
- When heating food in plastic or paper containers, keep an eye on the oven due to the possibility of ignition
- Only use the oven for preparing food. For example do not use for drying clothes, paper or any other non-food items, or for sterilising purposes.
- To avoid damaging the oven, do not use the oven when the cavity is empty. The oven may be empty (used as a timer) with the power set to zero – see page 8.
- Do not store anything in the oven, such as papers, cookbooks and so on.
- Do not cook any food surrounded by a membrane, such as egg yolks, potatoes, chicken livers, ready meals and so on without piercing them several times with a fork.
- Eggs in their shell and whole hard-boiled eggs should not be heated in microwave ovens since they may explode, even after microwave heating has ended.
- Never cover the air vents or put any objects into the openings on the outer case.
- Never remove parts from the oven such as the feet, screws and so on.
- Only use utensils recommended in these instructions – see page 12.
- Do not try to deep-fry foods in this oven.
- Heat from the contents of a container may be transmitted to the container itself, so please be careful when removing it from the oven. Please remember that the food or liquid inside will be releasing some steam or will be spitting. Never cover any container fully, always leave a gap for steam to escape.
- Cooking utensils may become hot because of heat transferred from the heated food. This is especially true if plastic wrap has been covering the top and handles of the utensil. You may need oven gloves to handle the utensil.
- In order to avoid burns, the contents of feeding bottles and baby food jars shall be stirred or shaken and the temperature checked before consumption.

- Always test the temperature of cooked food, never eat or drink food or liquid straight from the oven, allow it to stand for a few minutes and stir to distribute the heat evenly.
- Microwave heating of beverages can result delayed eruptive boiling, therefore care must be taken when handling the container.
- Food containing a mixture of fat and water (for example, stock) should stand for 30 to 60 seconds in the oven after it has been turned off. This is to allow the mixture to settle and to prevent it from bubbling when a spoon is placed in it, or a stock cube is added.
- When heating or cooking food or liquid, remember that there are certain foods (such as Christmas puddings, jam and mincemeat), which heat up very quickly.
- When heating or cooking foods that contain a lot of fat or sugar, do not use plastic containers.
- Always have the glass tray and turntable support in place when using the oven.
- Do not cook food directly on the glass tray. Put food on a suitable plate or in a bowl before putting it in the oven.

To reduce the risk of fire in the oven cavity:

- Do not overcook food
- Do not leave the microwave oven unattended while you are using it
- Remove wire twist-ties from bags before putting the bag in the oven
- If materials inside the oven catch fire, keep the oven door closed, turn the oven off at the wall switch, or shut the power off at the fuse or circuit-breaker panel

## FOOD SAFETY

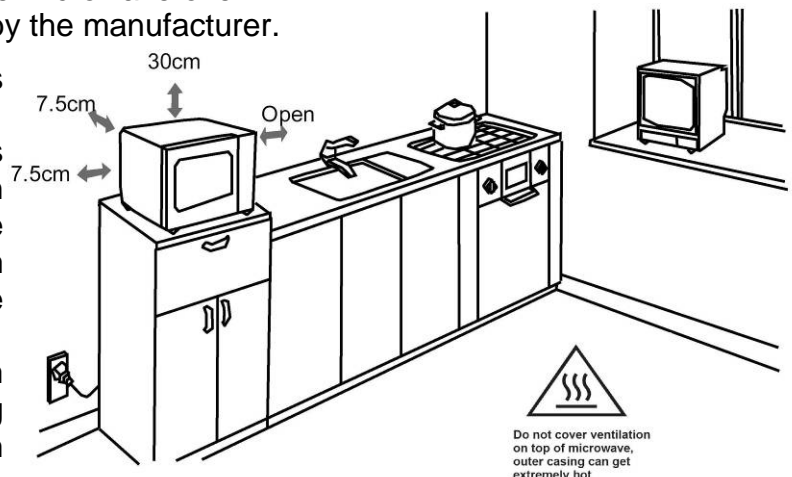
- Do not cook raw meat or raw shellfish in a microwave, due to the possibility for uneven heating.
- Do not use the microwave oven for home canning or bottling. Improperly canned or bottle foods may spoil and be dangerous to eat.
- Follow cooking instructions on food packaging and always check the temperature of food before serving.

## Microwave oven installation

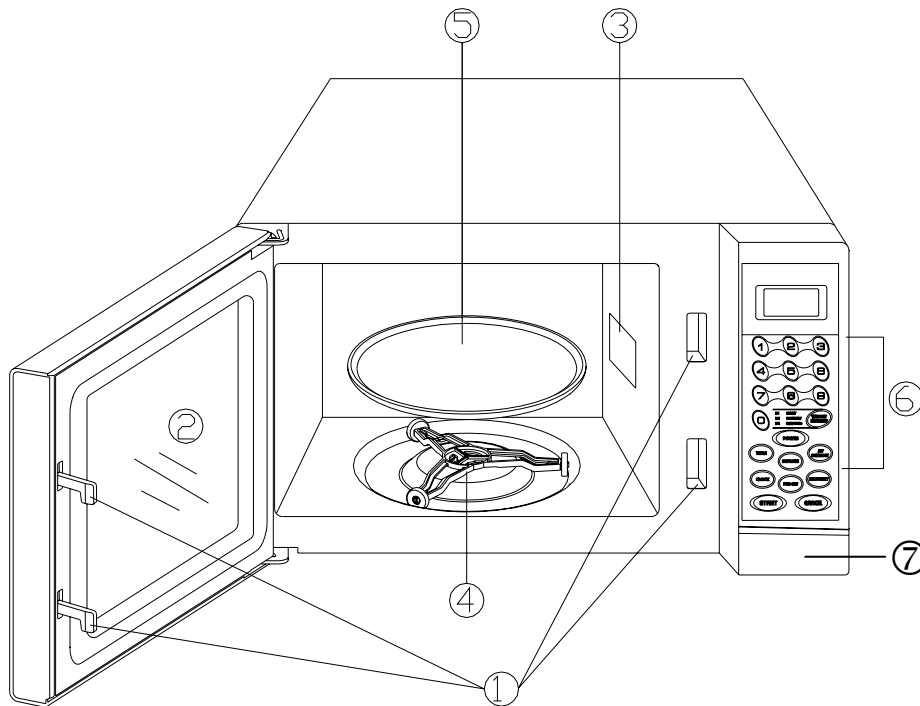
**Warning:** do not install the oven over a cooker or other heat producing appliance. This will damage the oven. The oven must be placed away from high temperatures and steam.

- This microwave oven weighs approximately 10.5kg so you must put it on a horizontal surface that is strong enough to support this weight.
- This microwave is designed to be free standing and is not intended to be used 'built in' or in a cabinet.
- Do not put anything on the top of the microwave oven.
- Only use the accessories supplied by the manufacturer.

1. Select a level surface that provides enough space for the outlet vents.
2. A minimum clearance of 3 inches (7.5cm) is required between the oven and any adjacent walls. One side must be open. Leave a minimum clearance of 12 inches (30cm) above the oven.
3. Place the oven as far away from radios and TV's as possible. Using the oven may cause interference with the reception.
4. Plug the oven into a suitable 13amp mains socket, make sure the voltage is the same as on the rating label (do not use extension cables or mains socket adaptors).



## Feature diagram



- 1 Door safety lock system
- 2 Oven window
- 3 Wave guide cover (do not remove)
- 4 Turntable roller
- 5 Glass tray
- 6 Control panel
- 7 Door release button

## Connection to the mains supply

### **WARNING** - THIS APPLIANCE MUST BE EARTHED

This appliance is designed to operate from a mains supply of AC230 - 240V ~ 50HZ. Check that the voltage marked on the product corresponds with your supply voltage. This product is fitted with a 13A plug complying with BS1363.

If this plug is unsuitable or needs to be replaced, please note the following:

Important: The wires in the mains lead are coloured in accordance with the following code:

GREEN/YELLOW-EARTH

BLUE-NEUTRAL

BROWN-LIVE



**DANGER**  
Electric  
Shock Risk

## Control panel



### DISPLAY

Cooking time, power, action indicator and clock time are displayed.

### NUMBER PADS (0-9)

Touch to set times or weights.

### WEIGHT DEFROST

Use to defrost frozen meat, poultry and seafood by weight. The defrosting time and power level are automatically set once the food category and the weight are programmed.

### POWER

Use to set power level. To check power level during time cooking, touch POWER pad.

### TIME

Use to set cooking time.

### EXPRESS

Use this feature to program the oven for 4 popular microwave timings at HIGH power.

### JET DEFROST

Touch to set defrosting time: the oven automatically divides the defrosting time into periods of alternating defrost and stand times by cycling on and off.

### CLOCK

Use to set the time of day.

### PRE-SET

Use to set the oven to start at a later time.

### MEMORY

Used when programming the oven for multistage cooking.

### START

Touch to start the cooking or defrosting programs. The cooking indicator light and the oven light will turn on and the cooling fan will operate.

### CANCEL

Touch to clear the selected power level, cook or defrost times that previously programmed. The time of day clock **will not** be cancelled.

## Operating instructions

Connect the main plug into a suitable 13amp mains socket, make sure the voltage is the same as on the rating label (do not use extension cables or mains adaptors).

The microwave oven will bleep once and the display will show the clock symbol and '1:01'

During any cooking program,

- To stop cooking press CANCEL pad.
- Cooking or defrosting can be interrupted at any time to stir or check the food progress by opening the door. Press START pad to continue program after closing the door.
- After cooking time has elapsed 'End' will be displayed and 3 beeps will be heard every 2 minutes until the oven door is opened or the CANCEL pad is pressed.

### SETTING THE CLOCK

With the oven ready for input, touch the CLOCK pad to set the digital clock in 12 hour format.

For example: If you want to set the oven clock time to 8:30.

1. Touch the CLOCK pad.
2. Touch CANCEL pad.
3. Use the number pads to enter the correct time, press the 8, 3 and 0 pads. You must touch at least three numbers to set the clock (one for hour and two for the minutes).
4. Touch CLOCK pad again to confirm the setting.

**NOTE:** To check clock time during cooking, press the CLOCK pad once.

### SETTING THE TIMER

To use the clock as a kitchen timer.

1. Touch the TIME pad.
2. Enter the amount of time you want to count down by touching the number pads. The time is expressed in minutes and seconds and set left to right. Set one digit (a 5 for 5 seconds) or up to four digits (2405 for 24 minutes, 5 seconds).
3. Touch POWER pad.
4. Touch number pad 0.
5. Touch START pad and the timer will activate.

### MICROWAVE COOKING

1. Place the food in a container suitable for use with microwave ovens, put it into the microwave oven and close the door.
2. Touch the TIME pad.
3. Use the number pads to set a cooking time. You can set a cooking time from one second to 99 minutes and 99 seconds.
4. If you want to set a power level other than 100% power, touch POWER pad, then use the number pads to enter the power level. Use digits to set corresponding cooking power level (see table below).
5. Touch START pad to start cooking.

<b>Cooking power</b>	100%	90%	80%	70%	60%	50%	40%	30%	20%	10%	0%
<b>Number pad</b>	10	9	8	7	6	5	4	3	2	1	0

**NOTE:** You can check the power level during cooking by touching the POWER pad.



## **DELAYED START COOKING**

This function allows the oven start time to **be programmed** up to 12 hours in advance of the time shown on the clock.

For example: To start cooking at 2 o'clock:

1. Check that the clock is showing the current time and adjust if necessary.
2. Place the food in a container suitable for use with microwave ovens, put it into the microwave oven and close the door.
3. Touch PRESET pad and use the number pads to set the start time (2, 0 and 0).
4. Touch TIME pad and use the number pads to input cooking time.
5. Touch POWER pad and use the number pads to input cooking power.
6. Touch START pad to activate the setting, a bleep will be heard and the clock symbol will flash in the display.
7. Three beeps will be heard when the start time is reached and the cooking will start automatically. **DO NOT** press the START pad.

**NOTE:** Multistage cooking may be programmed in combination with delayed start function.

## **QUICK START**

This program allows you to cook food at 100% power at four popular microwave timings. With each touch of the EXPRESS pad you can program the oven for:

- 15 seconds ..... Touch pad **ONCE**
- 30 seconds..... Touch pad **TWICE**
- 1 minute..... Touch pad **3 TIMES**
- 2 minutes..... Touch pad **4 TIMES**

Suppose you want to set the oven to cook for 1 minute at 100% by using this feature:

1. Place the food in a container suitable for use with microwave ovens, put it into the microwave oven and close the door.
2. Touch the EXPRESS pad 3 times then "1:00" will appear in the display.
3. Touch START pad.

## **JET DEFROST**

1. Place the food in a container suitable for use with microwave ovens, put it into the microwave oven and close the door.
2. Touch JET DEFROST pad.
3. Use the number pads to set a defrost time. You can set a defrost time from one second to 99 minutes and 99 seconds.
4. Touch START pad to start defrosting.
5. It is advised to turn foods halfway through defrosting to distribute heat evenly.

## WEIGHT DEFROST

The oven allows the defrosting of meat, poultry, and seafood. The time and the defrosting power are adjusted automatically once the weight is programmed. The maximum weight of frozen foods that can be defrosted is shown in the table below.

For example: Suppose you want to defrost 600g of shrimp.

1. Place the shrimp to be defrosted into the oven.
2. Touch WEIGHT DEFROST pad 3 times. 'd3' will appear in the display.
3. Touch number pads 6.0.0.
4. Touch START pad.
5. It is advised to turn foods halfway through defrosting to distribute heat evenly.

Food category	Maximum weight	Display
Meat	2300g	d1
Poultry	4000g	d2
Seafood	900g	d3

### NOTE:

- For foods exceeding these maximum weights, use the JET DEFROST program.
- If you try to program a weight in excess of the maximum recommended, the oven will not operate properly.

## MULTISTAGE COOKING

The oven has the ability to be programmed to do several consecutive functions.

For example: If you want to set the following cooking program:

Jet defrost a food, cook for 5 minutes at 100% power and then finish off by cooking for 10 minutes at 50% power

1. Place the food in a container suitable for use with microwave ovens, put it into the microwave oven and close the door.
2. Touch JET DEFROST pad and use the number pads to set a defrost time.
3. Touch MEMORY pad.
4. Touch TIME pad and use the number pads to input cooking time (5 minutes)
5. Touch POWER pad and use the number pads to input cooking power (100%).
6. Touch MEMORY pad.
7. Touch TIME pad again and use the number pads to input the second cooking time (10 minutes).
8. Touch POWER pad and use the number pads to input second cooking power (50%).
9. Touch START pad.

### NOTE:

- A total of three stages may be programmed.
- JET DEFROST and WEIGHT DEFROST can only be selected before the cooking stage in a program. They can not be selected between or after stage1 or stage 2.

## HINTS

- Do not cook, reheat or defrost foods directly on the turntable, always put the food into a suitable microwave container.
- Do not cook foods such as meat from frozen, always defrost the foods first.
- Where appropriate, cover dishes with microwave safe cling film and pierce, this will retain the moisture and prevent splashing and spillages. Always loosen lids before putting into the oven.
- To distribute heat evenly, stir or shake foods halfway through cooking.

## **CHILD SAFETY LOCK**

This function is to help prevent small children from using the microwave oven.

The CHILD LOCK indicator will show up on display screen, and the oven cannot be operated while the CHILD LOCK is set.

- To set the CHILD LOCK: Press and hold the CANCEL pad for 3 seconds, a bleep sounds and lock indicator lights.
- To cancel the CHILD LOCK: Press and hold the CANCEL pad for 3 seconds until lock indicator on display goes off.

## **Cleaning and care**

Failure to maintain the oven in a clean condition, could lead to deterioration of the surface that could adversely affect the life of the appliance and possibly result in a hazardous condition. The oven should be cleaned regularly and any food deposits removed.

- Before you clean the microwave oven, turn it off and unplug it.
- Keep the inside of the oven clean. When food or liquids stick to the oven walls, wipe with a damp cloth. We recommend that you do not use harsh detergent or abrasives.
- On the right hand side wall of the cavity is the wave guide cover. Microwaves are passed through this cover to enable your food to cook. It is important that the wave guide cover is kept clean at all times. To do this wipe with mild detergent and water, then dry. Do not remove the waveguide cover.
- You should clean the outside of the oven with a damp cloth and polish dry with a soft dry cloth. Do not allow water to seep into the ventilation openings.
- Wipe the door and window on both sides, the door seals and adjacent parts frequently with a damp cloth to remove any spills or splatters. Do not use an abrasive cleaner.
- Do not allow the control panel to become wet. Clean with a soft, damp cloth. Do not use detergents, abrasives or spray-on cleaners on the control panel.
- If steam builds up inside or around the outside of the oven door, wipe with a soft cloth. This may happen when the microwave oven is used in humid conditions.
- If the inside of the oven smells, put a cup of water with the juice and the skin of one lemon in a deep microwave bowl. Microwave it for three minutes, wipe the cavity walls thoroughly and then dry a soft cloth.
- Regularly clean the turntable support and oven floor. Simply wipe the bottom surface of the oven with mild detergents and water, and then dry. You can wash the turntable support in soapy water. Check that it is correctly fitted after cleaning.
- Regularly remove the glass tray to clean it, and wash in warm soapy water.
- Do not remove the waveguide cover on the inside wall of the cavity.

## Problem solving

The microwave oven may cause interference to your radio, TV or similar equipment. If it does, you can get rid of the interference by moving the radio, TV or equipment as far away from your microwave oven as possible.

If the oven doesn't work, if the display does not appear or if the display has disappeared

- Make sure the oven is plugged in securely. If it is not, remove the plug from the socket, wait 10 seconds and plug it in again securely.
- Check the premises for a blown circuit fuse or a tripped main circuit breaker. If these seem to be working properly, test the socket with another appliance.

If the microwave power will not work

- Make sure the door is securely closed. Otherwise, the microwave energy will not flow into the oven.

## Important utensil information

- Use only cookware that is approved to be used in a microwave oven.
- Do not use metal pans or dishes with metal handles.
- Do not use anything with a metal trim.
- Do not use paper covered wire twist-ties on plastic bags.
- Do not use melamine dishes as they contain a material, which will absorb microwave energy. This may cause the dishes to crack or burn, and will slow down the cooking speed.
- Do not cook using a container with a restricted opening, such as bottles, as they may explode.
- Do not heat baby bottles with the teat left on and remove the teat if replacing the bottle back into the oven.
- Only use thermometers that are approved for microwave ovens.
- Do not use the microwave oven for heating utensils.



## Non-rewireable mains plug

If your appliance is supplied with a non-rewireable plug fitted to the mains lead you will find that it incorporates a fuse, the value of which is indicated either on the base of the plug or on the fuse carrier. Should the fuse need replacing, you must use an ASTA approved fuse (conforming to BS1362) of the same rating. If the fuse cover is lost the plug must not be used until a replacement is obtained from an electrical supplier. If you need to remove the plug, cut it from the mains lead and dispose of it. Never attempt to re-use this plug or insert it into a socket outlet, as there is a very great risk of an electric shock.

### SPECIFICATIONS:

Rated voltage:	230-240V~50Hz,
Operating frequency:	2,450MHz
Power output:	700W
Outside Dimensions:	262mm x 329mm x 452mm
Oven capacity dimensions	198mm x 294mm x 315mm
Oven Capacity:	17 Litres
Weight:	10.5kg

If you have any questions about this product, please call our Careline free on

0800 636262

Made in China under licence.

Sourced by Sainsbury's Supermarkets Ltd, EC1N 2HT. Russell Hobbs is the registered trademark of Russell Hobbs Ltd.



Revision 1

This symbol is known as the 'Crossed-out Wheellie Bin Symbol'. When this symbol is marked on a product, it means that the product should not be disposed of with your general household waste. Only discard electrical/electronic items in separate collection schemes, which cater for the recovery and recycling of materials contained within. Your co-operation is vital to ensure the success of these schemes and for the protection of the environment.

We reserve the right due to possible changes to design to alter the instruction manual without prior notice.