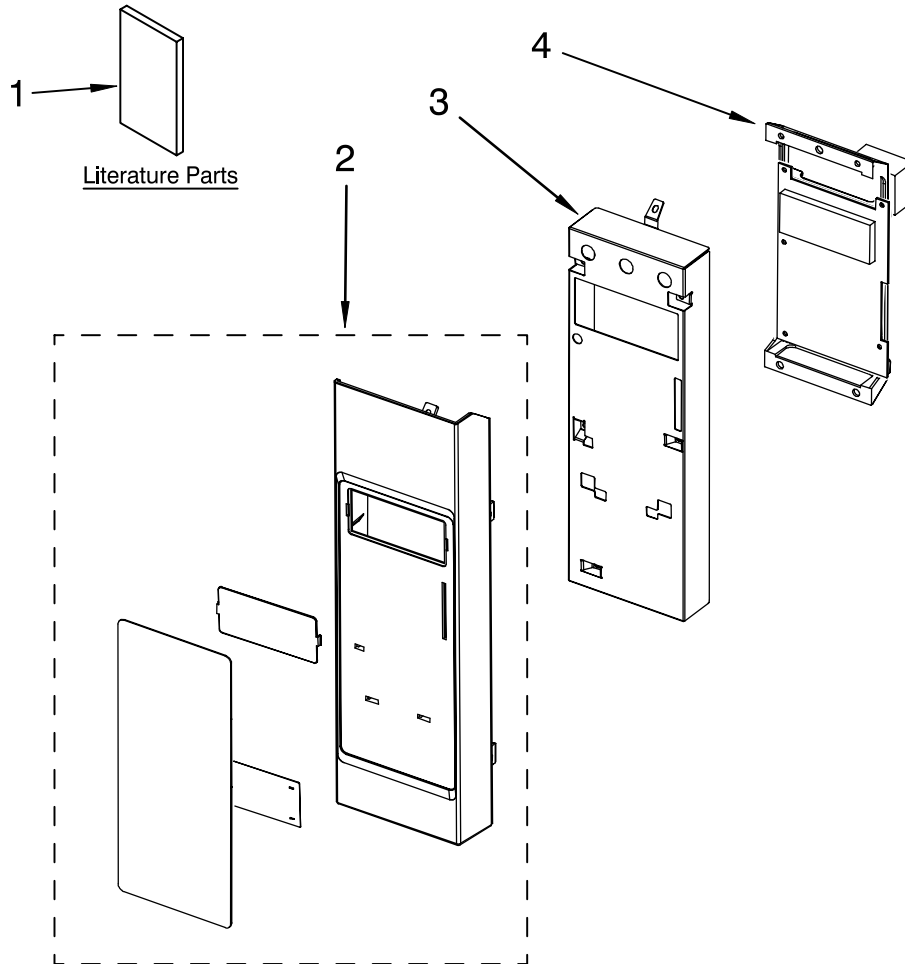


**CONTROL PANEL PARTS**  
 For Models: MMV6186WW0, MMV6186WB0, MMV6186WS0  
 (White) (Black) (Stainless)

Microwave Oven/Hood  
 1.8 Cu. Ft.

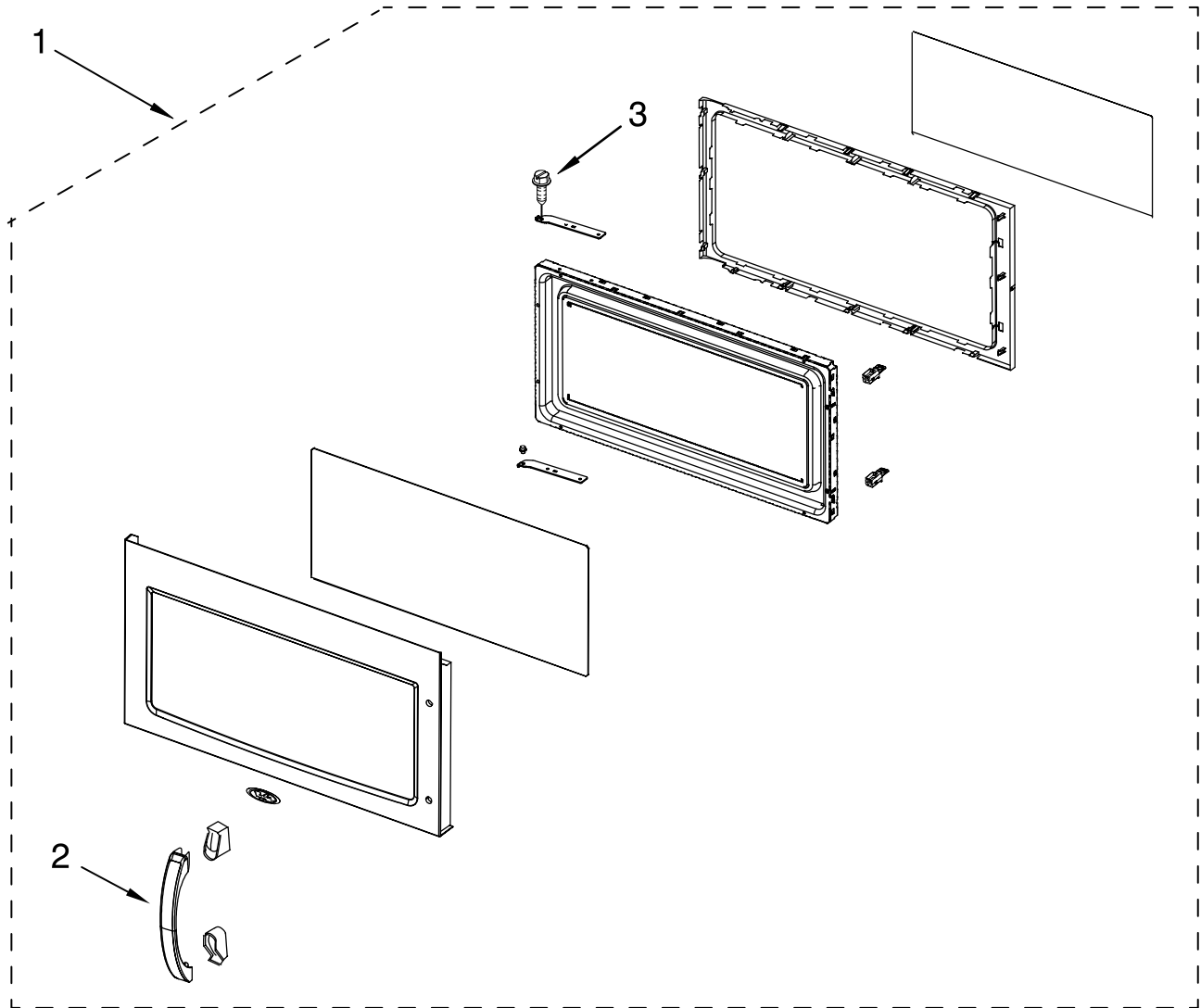


Illus. No.	Part No.	DESCRIPTION
1	W10208076	Literature U & C Guide
	W10249230	Tech Sheet, Slim
	W10217360	Oper, Inst
	W10238252	Install, Instruct.
2		Panel Asy, Control Includes Lens and Membrane Switch
	W10259361	White
	W10259359	Black
	W10259362	Stainless
3	W10245199	Bracket, Control
4	W10259358	Microcomputer

FOR ORDERING INFORMATION REFER TO PARTS PRICE LIST

# DOOR PARTS

For Models: MMV6186WW0, MMV6186WB0, MMV6186WS0  
 (White) (Black) (Stainless)

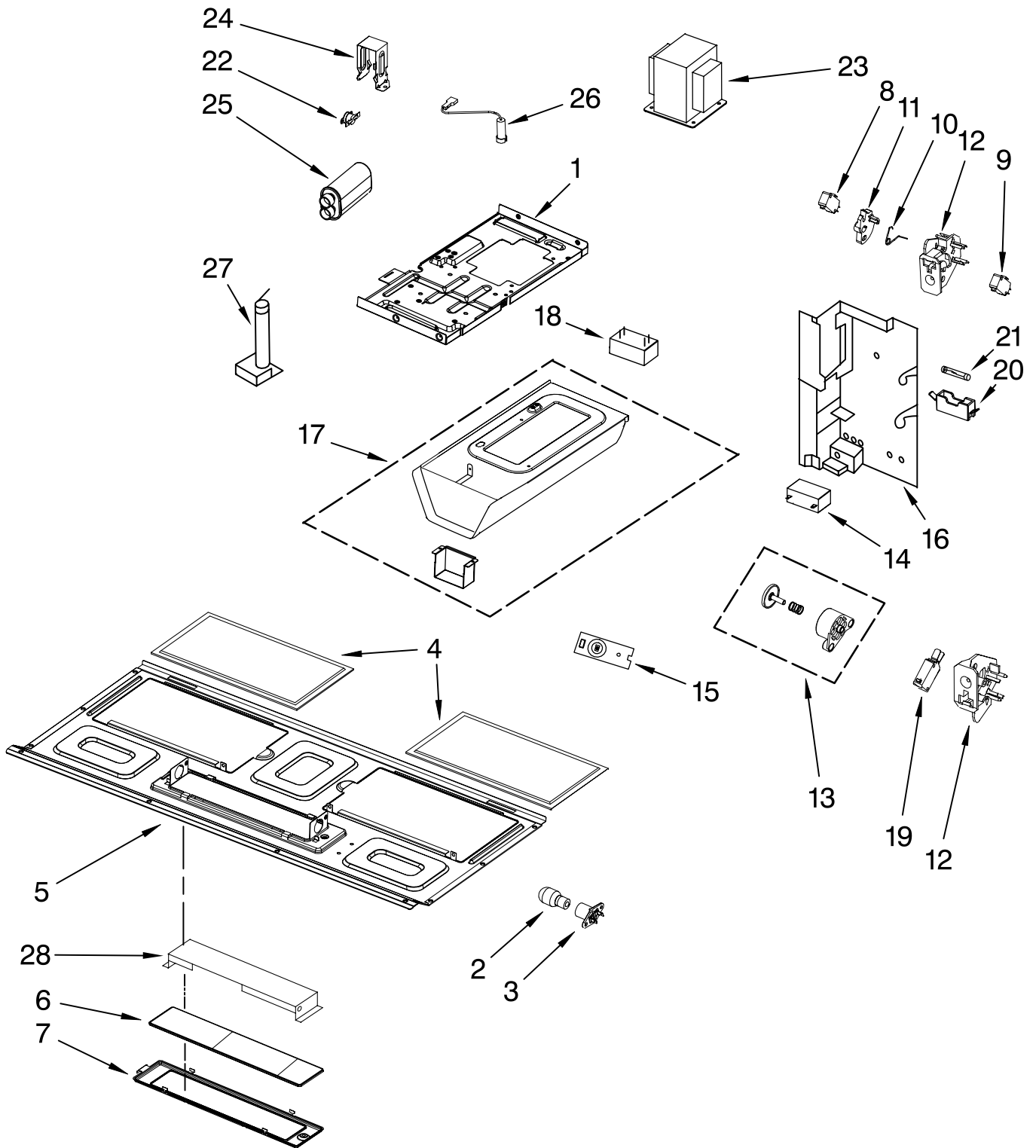


Illus. No.	Part No.	DESCRIPTION
1	W10259238	COMPLETE DOOR White
	W10259236	Black
	W10259240	Stainless
2	W10259244	Handle White
	W10259243	Black
	W10259246	Stainless
3	W10138802	Screw

FOR ORDERING INFORMATION REFER TO PARTS PRICE LIST

# INTERIOR AND VENTILATION PARTS

For Models: MMV6186WW0, MMV6186WB0, MMV6186WS0  
(White) (Black) (Stainless)



FOR ORDERING INFORMATION REFER TO PARTS PRICE LIST

# INTERIOR AND VENTILATION PARTS

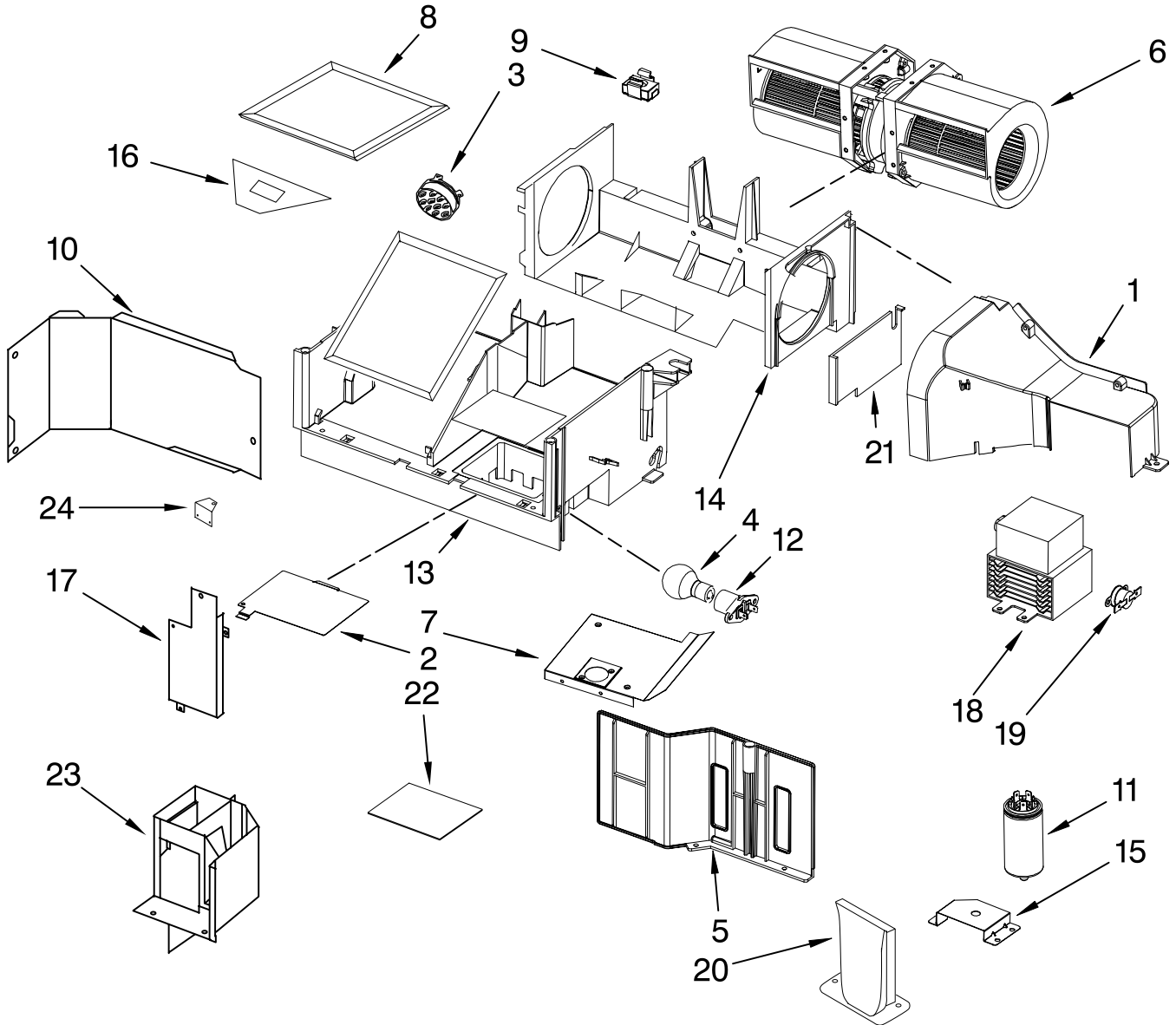
For Models: MMV6186WW0, MMV6186WB0, MMV6186WS0  
(White) (Black) (Stainless)

<b>Illus.</b>	<b>Part</b>	
<b>No.</b>	<b>No.</b>	<b>DESCRIPTION</b>
1	W10245184	Chassis
2	W10208564	Lamp
3	W10250585	Holder, Lamp
4	W10208631	Filter, Grease
5	W10245196	Plate, Bottom
6	W10210875	Glass, Lamp
7	W10210873	Holder, Glass
8	W10211972	Switch, Micro V15T16-CZ200
9	W10211973	Switch, Micro V15T16-CC200
10	W10156812	Spring, Interlock
11	W10156811	Plate, Cam
12		Support, Interlock
	8206419	Top
	W10156813	Bottom
13	W10197758	Piston Assembly
14	W10245191	Capacitor, 125 V
15	W10163422	Thermistor (PCBA)
16	W10245193	Plate, Side
17	W10245189	Chassis Assembly
18	W10245190	Resistor, Cement
19	W10211974	Switch, Micro V15T16-CP200
20	W10250232	Holder, Fuse
21	W10138793	Fuse
22	W10245195	Thermostat (2)
23	W10251156	Transformer, H.V.
24	W10156817	Bracket, Capacitor
25	W10138798	Capacitor, H.V.
26	W10245187	Diode, H.V.
27	W10245188	HV Diode Support
28	W10250586	Lamp, Bottom

FOR ORDERING INFORMATION REFER TO PARTS PRICE LIST

# AIR FLOW PARTS

For Models: MMV6186WW0, MMV6186WB0, MMV6186WS0  
(White) (Black) (Stainless)



Illus. No.	Part No.	DESCRIPTION
1	W10245181	Deflector, Air
2	8206382	Cover, Lamp
3	W10245178	Sensor, Humidity
4	4393681	Lamp
5	W10245192	Cover, Side Inlet
6	W10249323	Motor, Fan Assy
7	W10245179	Support, Sensor
8	8206230	Filter, Charcoal
9	W10110862	Mounting, Nut (2)

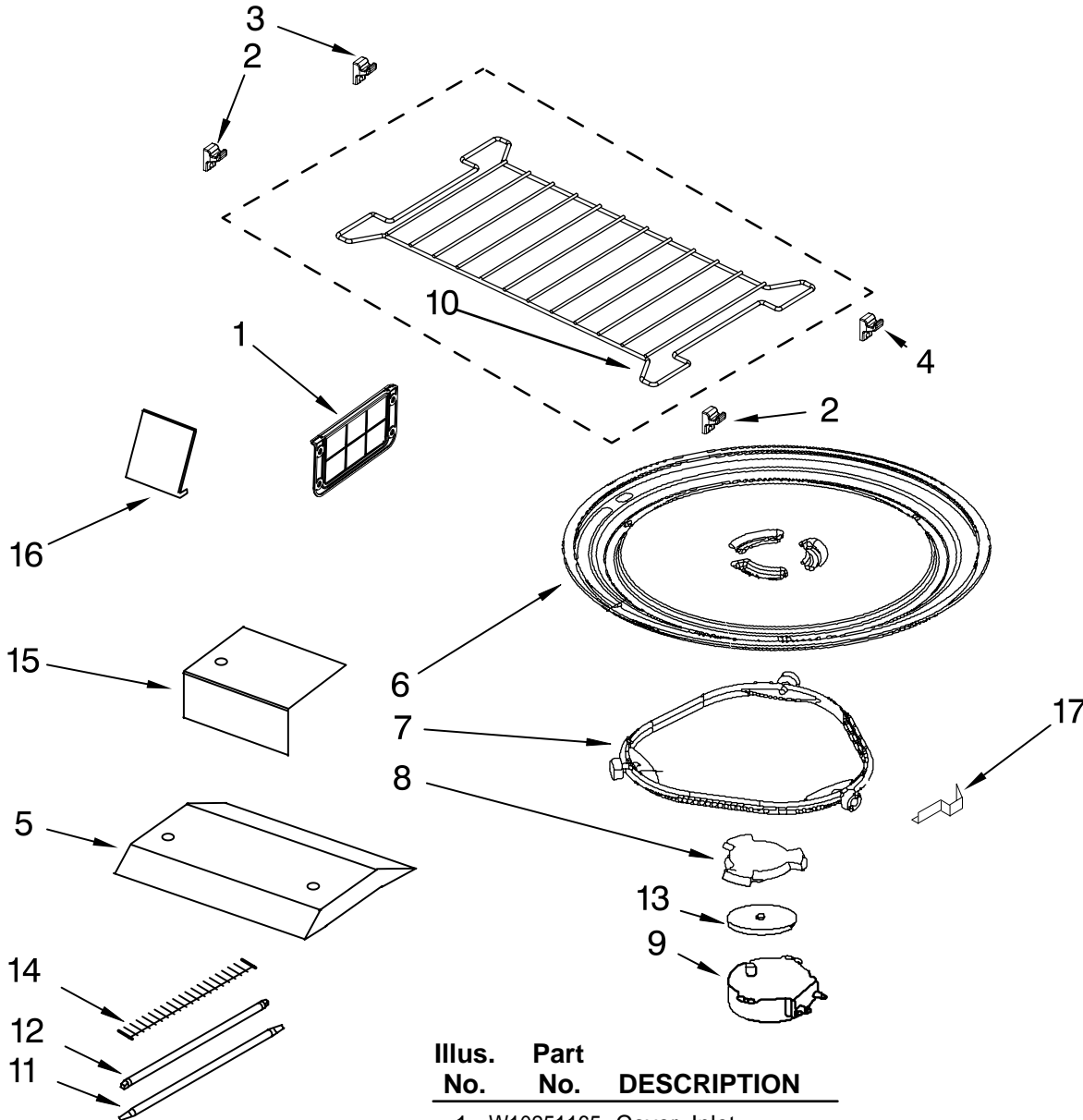
Illus. No.	Part No.	DESCRIPTION
10	W10245210	Air Guide, Plate
11	8206624	Filter
12	W10210878	Holder, Lamp
13	W10245211	Base Plate, Air Guide
14	W10245206	Holder
15	W10245186	Brkt-Mntg, Filter
16	W10139750	Socket, Motor Wire

Illus. No.	Part No.	DESCRIPTION
17	W10245214	Cover, Inlet Air Cavity Guide
18	8205791	Magnetron
19	8206342	Thermostat
20	W10164716	Plate, Water Proof
21	W10245182	Cover, Right Duct
22	W10249511	Cavity Lamp Foil
23	W10245215	Sealing Plate
24	W10251159	Assy, Grill

FOR ORDERING INFORMATION REFER TO PARTS PRICE LIST

# TURNTABLE PARTS

For Models: MMV6186WW0, MMV6186WB0, MMV6186WS0  
(White) (Black) (Stainless)

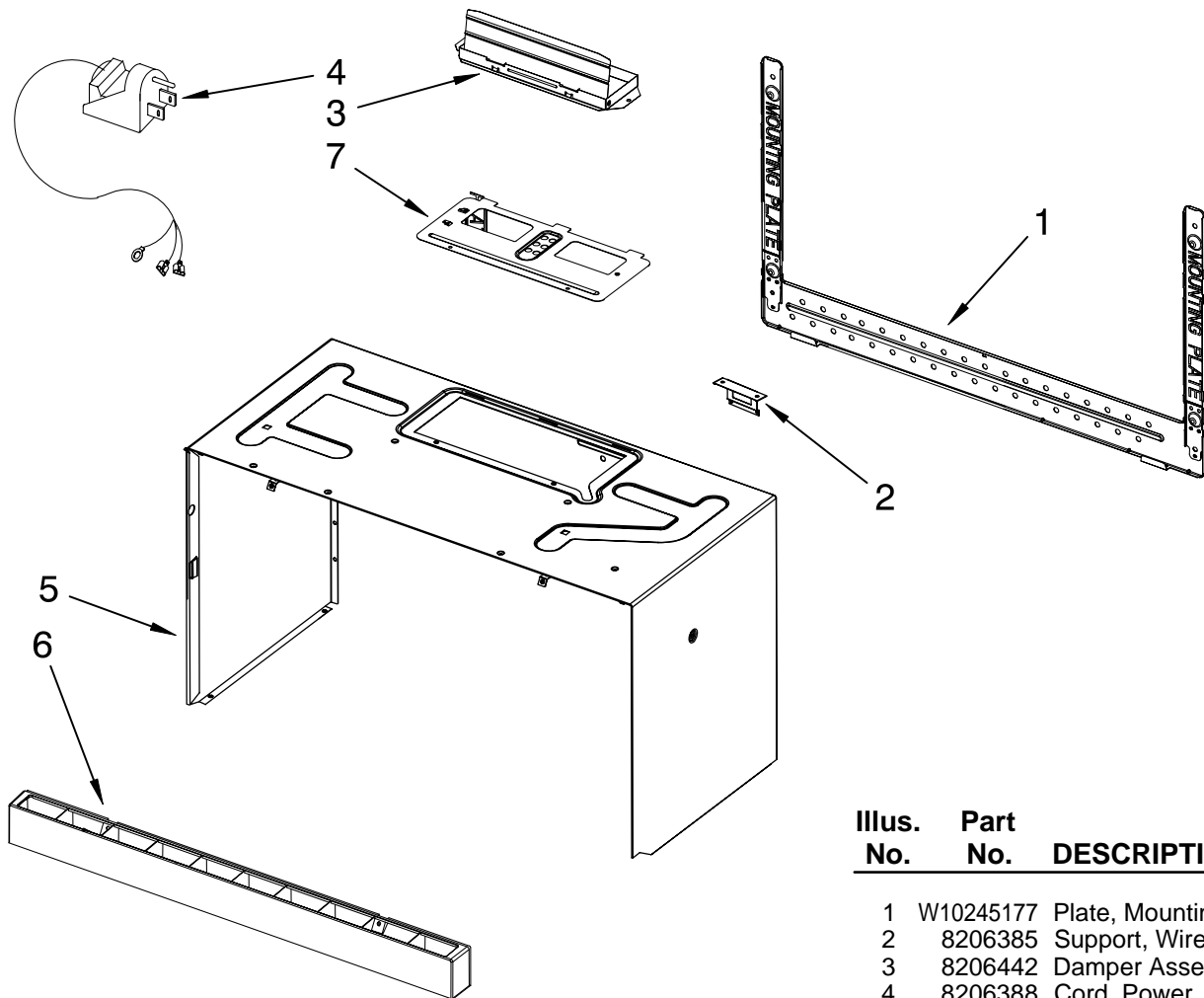


Illus. No.	Part No.	DESCRIPTION
1	W10251165	Cover, Inlet Includes Nails and Bushings
2	W10245207	Hook Front (2)
3	W10245208	Hook Left Rear
4	W10245209	Hook Right Rear
5	W10256913	Cover, Grill
6	4393799	Turntable
7	8206227	Ring, Turntable
8	8206228	Driver, Turntable
9	W10143959	Motor, Turntable
10	8205042	Rack
11	8184839	Heater, Quartz
12	8184838	Tube, Quartz
13	W10164716	Seal, Waterproof
14	8184837	Element, Halogen
15	W10251162	Assy, Grill
16	W10251167	Paper, Nomex
17	W10259382	Paper, Nomex(2)

FOR ORDERING INFORMATION REFER TO PARTS PRICE LIST

# CABINET AND INSTALLATION PARTS

For Models: MMV6186WW0, MMV6186WB0, MMV6186WS0  
(White) (Black) (Stainless)



Illus. No.	Part No.	DESCRIPTION
1	W10245177	Plate, Mounting
2	8206385	Support, Wire Clip
3	8206442	Damper Assembly
4	8206388	Cord, Power
5		Case, Outer
6	W10245176	Black
	W10244765	White
		Grille, Vent
7	W10259235	Black
	W10259232	Stainless
	W10259230	White
7	W10210832	Plate, Damper

## Miscellaneous

8205948	Installation, Hardware
W10190018	Template, Upper
8169704	Screw, Top Mountng
W10259385	Main Harness
8205696	Ground Wire Assy
W10107760	Grnd Wire, Filter
W10259386	HdImp/TT Wire Assy
W10259553	Ground-Wire

FOR ORDERING INFORMATION REFER TO PARTS PRICE LIST