

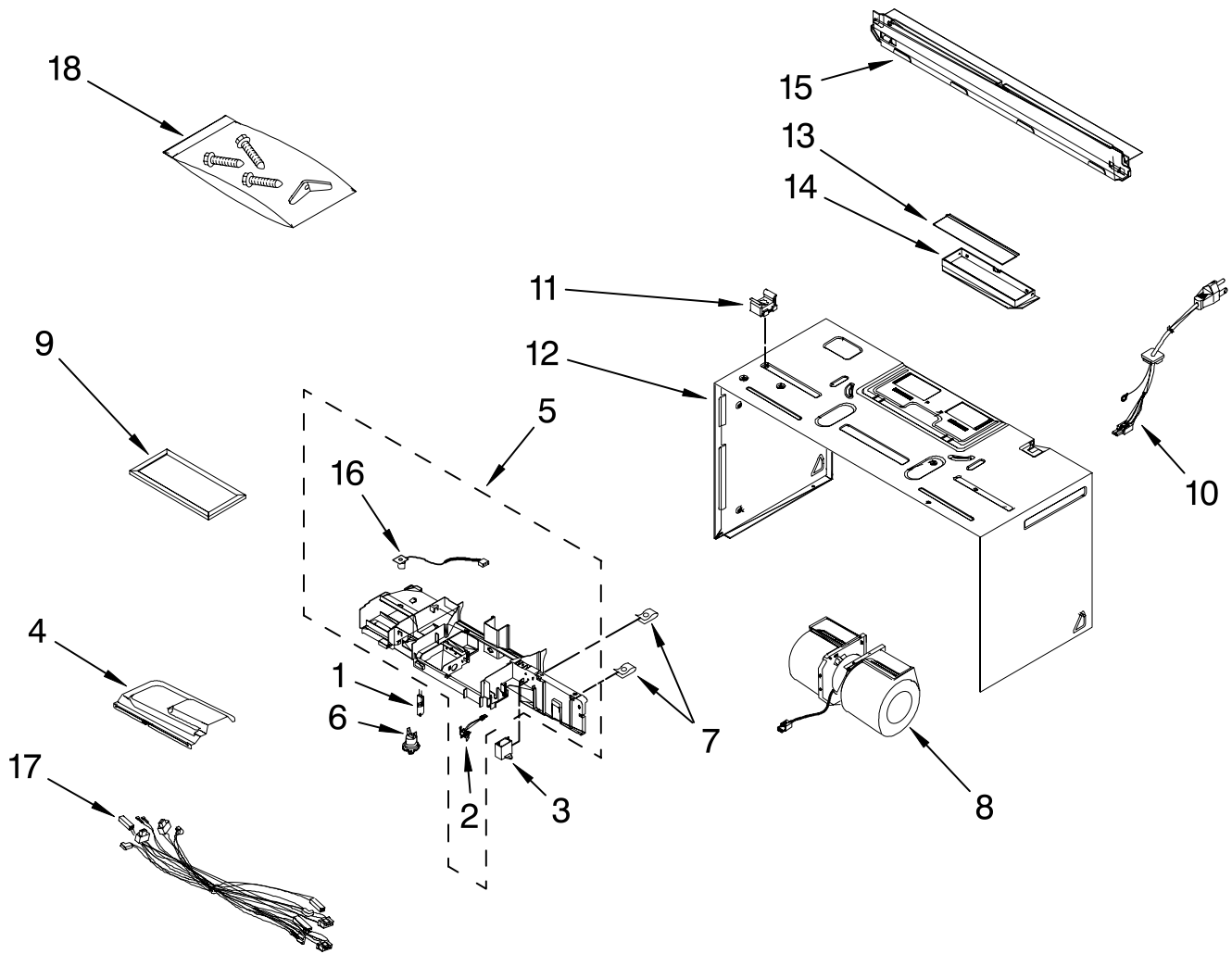
Illus. No.	Part No.	DESCRIPTION
1		Literature
	W10177934	U & C Guide
	W10182043	Tech Sheet, Slim
2		Panel Asy, Control Membrane, Lens and Bracket
	DE94-01386K	White
3	W10181469	Bracket, Control
4	W10198000	Microcomputer
5		Complete Door
	W10197621	White
6	W10189509	Handle, Door
7	W10189545	Handle, Base Upper
8	W10189546	Handle, Base Lower
9		Grille Assembly
	DE64-01454B	White

FOR ORDERING INFORMATION REFER TO PARTS PRICE LIST

CABINET AND AIR FLOW PARTS

For Models: MMV5207BAW15

(White)



Illus. No.	Part No.	DESCRIPTION
1	4713-001165	Lamp
2	DE47-00032B	Holder, Lamp
3	DE59-50002A	Capacitor, Motor
4	W10197628	Bracket, Duct (U)
5	DE97-00635B	Assy, Duct Upper
6	DE47-20059A	Thermostat
7	DE60-30063A	Nut, Mounting
8	W10181452	Motor, Fan Assy

Illus. No.	Part No.	DESCRIPTION
9	DE63-00367D	Filter, Charcoal
10	DE96-00218A	Cord, Power
11	DE92-90508A	Holder Nut, Assy
12	W10192096	Case, Outer
13	W10197773	Damper, Assembly
14	DE72-40022A	Plate, Damper
15	DE70-00378A	Plate, Mounting
16	DE32-60011A	Sensor, Gas
17	DE96-00533A	Main Harness

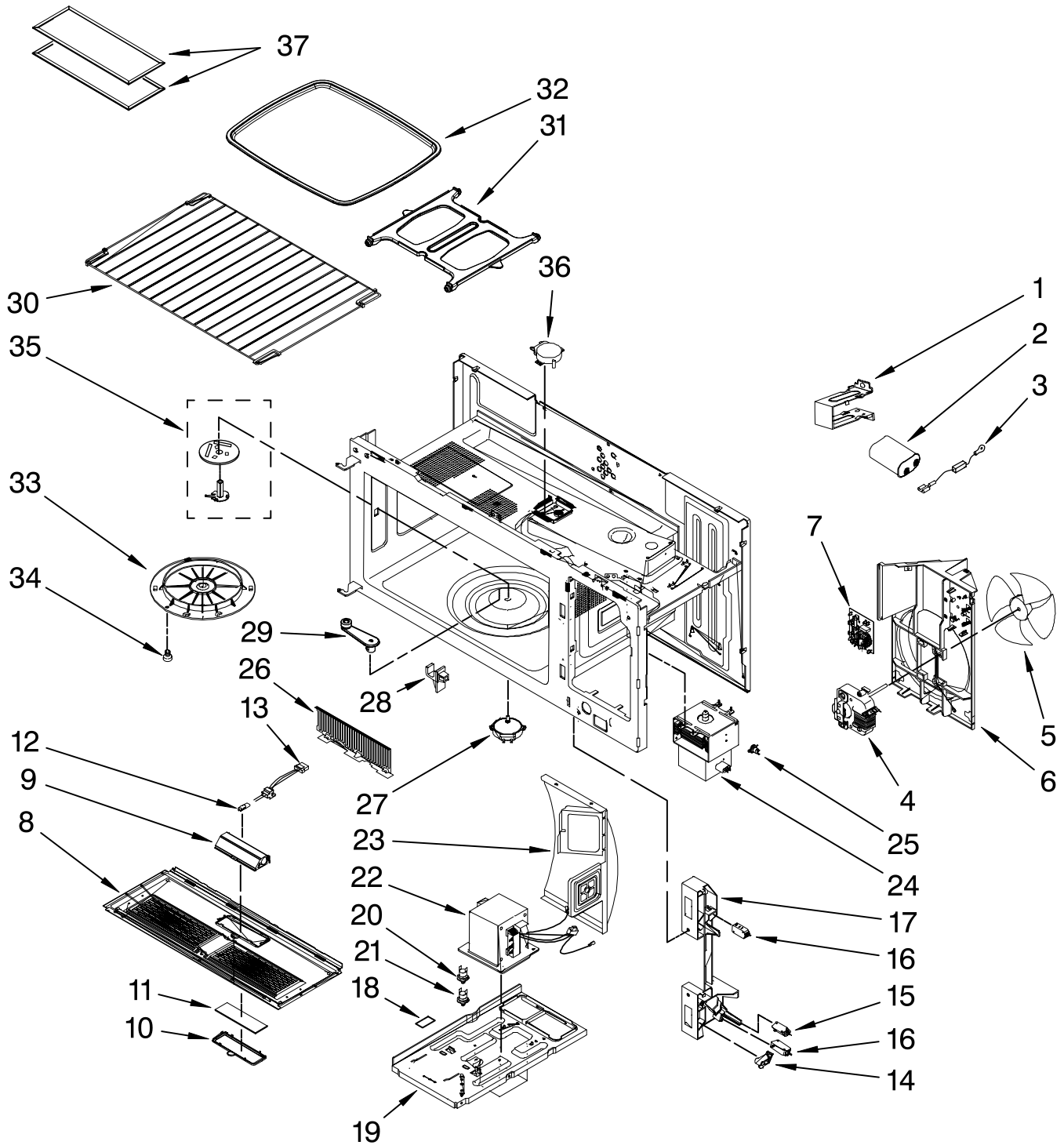
Illus. No.	Part No.	DESCRIPTION
18	DE92-90505E	Install, Hardware
Following Parts Not Illustrated		
	W10197644	Template, Wall
	DE68-03144B	Template, Top

FOR ORDERING INFORMATION REFER TO PARTS PRICE LIST

INTERIOR AND VENTILATION PARTS

For Models: MMV5207BAW15

(White)



FOR ORDERING INFORMATION REFER TO PARTS PRICE LIST

INTERIOR AND VENTILATION PARTS

For Models: MMV5207BAW15

(White)

Illus. No.	Part No.	DESCRIPTION
1	DE61-00115A	Bracket, Capacitor
2	2501-001016	Capacitor
3	DE91-70063D	Diode, H.V.
4	DE31-10177E	Motor, Fan
5	DE31-90051A	Blade, Fan
6	W10197780	Guide, Suction
7	W10182040	Filter, Noise
8	W10192097	Plate, Bottom
9	DE61-00407C	Reflector, Lamp
10	DE63-00137C	Holder, Glass
11	DE64-00911A	Glass, Lamp
12	4713-001165	Lamp, Halogen
13	DE47-00032B	Holder, Lamp
14	DE66-90106B	Lever, Switch
15	3405-001033	Switch, Micro
16	3405-001034	Switch, Micro
17	DE66-00168A	Latch Board
18	DE63-00008F	Cushion, Sponge
19	W10187747	Plate, Base
20	DE47-20059A	SW-Thermo
21	DE47-20034A	Thermostat
22	W10197612	Transformer, H.V.
23	W10197689	Bracket, Duct Rear
24	W10126786	Magnetron
25	DE47-20007A	Thermostat
26	W10197680	Cover, Front
27	DE31-00040A	Motor, Turntable
28	DE61-00375A	Hook, Rack
29	DE97-00648A	Coupler, Glider
30	W10182049	Rack, Wire
31	DE99-00357A	Guide, Tray
32	DE63-00383A	Tray, Cooking
33	DE71-60121A	Cover, Stirrer
34	DE66-20095B	Button, Lock
35	W10197709	Stirrer, Assembly
36	DE31-10173A	Motor, Drive
37	W10187748	Filter, Air

FOR ORDERING INFORMATION REFER TO PARTS PRICE LIST