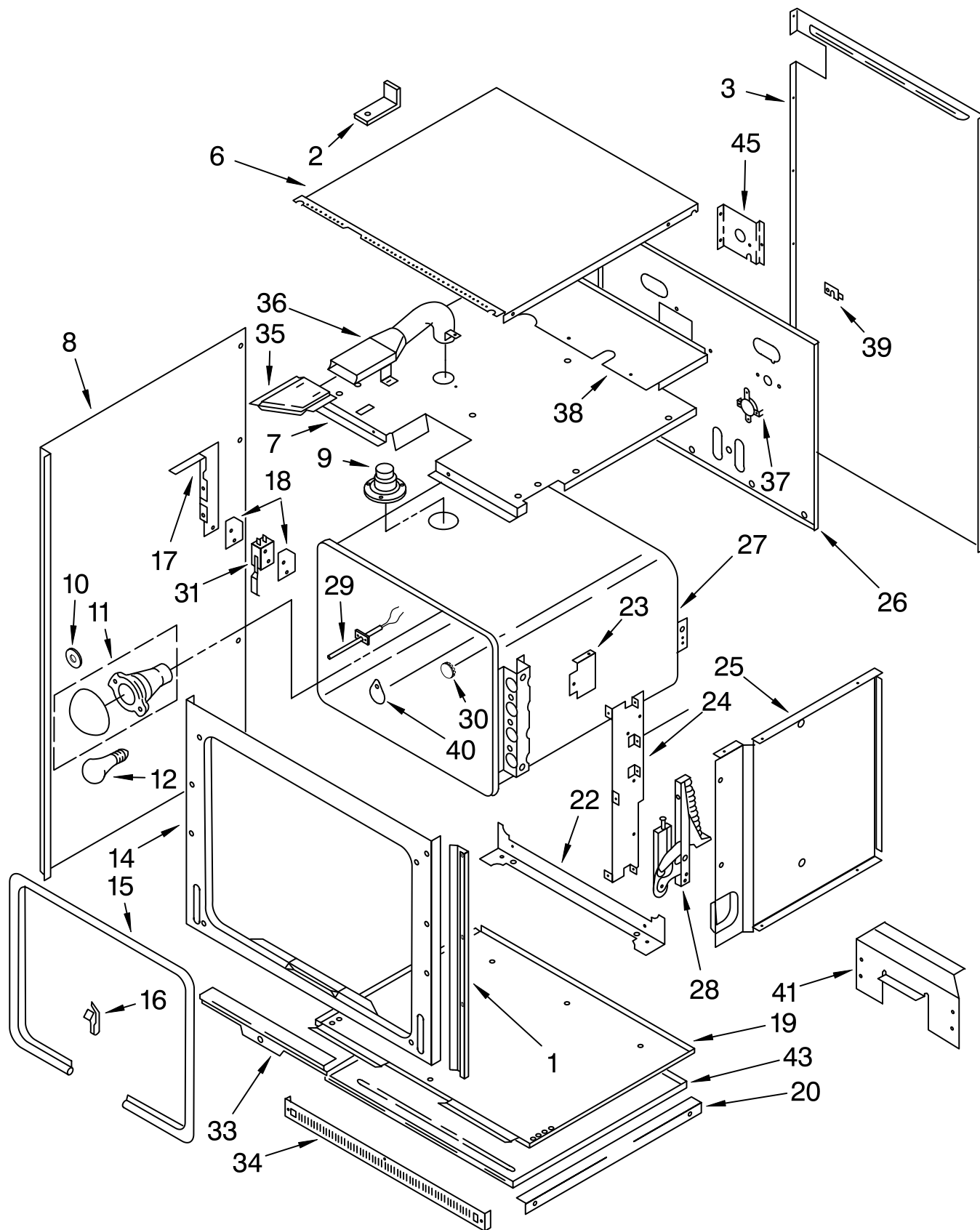


**KitchenAid®**

**OVEN PARTS**  
For Model: KEMI371BBL1, KEMI371BWH1  
(BLACK) (WHITE)

27" BUILT-IN ELECTRIC  
DOUBLE OVEN  
MICROWAVE CONVECTION UPPER



FOR ORDERING INFORMATION REFER TO PARTS PRICE LIST

# OVEN PARTS

For Model: KEMI371BBL1, KEMI371BWH1  
(BLACK) (WHITE)

Illus. Part No. No. DESCRIPTION	Illus. Part No. No. DESCRIPTION	Illus. Part No. No. DESCRIPTION
NOTE: The screws and nuts required to attach a part are listed immediately following that part.		
1 3187874 Trim, Side Door 3187877 Black Model 3187877 White Model	20 3179220 Rail, Support (2) 3185647 Screw	34 3177783 Vent, Lower Trim 3187957 Black Model 3180022 White Model Screw (4)
2 3187369 Brace, M/W Back 3185647 Screw	22 3177434 Support, Oven 3185647 Screw	35 3187388 Vent, Tube (Upper, Female)
3 3177623 Cabinet, Back 3185647 screw	23 3178612 Shield, Radiation 3179795 Screw (6) 3185647 Screw	3181964 Black Model 3187388 White Model
6 3178143 Cabinet, Top 3185647 Screw	24 3177433 Bracket, Hinge 3179795 Screw (6) 3185647 Screw	36 3179945 Vent, Tube (Upper, Male)
7 3183748 Top, Module 3185647 Screw	25 3177572 Side, Module (R.H. & L.H.) 3185647 Screw	37 3149652 SPST-Thermostat 3185647 Screw
8 3181695 Side, Cabinet 3185647 Screw	26 3177560 Back, Module 3185647 Screw	38 3180332 Extension, Shelf 3177991 Screw (8)
9 3181699 Tube, Vent 3185648 Screw	27 3185562 Liner, Oven	39 4168203 Cover, Cap Tube 4159445 Screw
10 3184533 Gasket, Light	28 3178298 Hinge, Door (2) 3179795 Screw (4)	40 3185085 Plate, Cover 3177991 Screw
11 3150505 Oven Light Assy.	29 3148440 Sensor, Heat 3185648 Screw	41 3183752 Bracket, Control
12 311255 Bulb, Oven Light	30 3182814 Plug, Button	43 3177551 Bottom, Oven
14 3186950 Frame, Front	31 4173553 Switch, Door 4159117 Nut (2) 313489 Screw (2)	45 3177545 Bracket, Conduit
15 3179813 Seal, Door	3177991 Screw (2)	
16 3179848 Clip, Oven Seal	33 3179587 Retainer, Seal 4168863 Screw	
17 3177681 Bracket, Switch		
18 3177923 Insulator, Switch		
19 3177621 Bottom, Module		

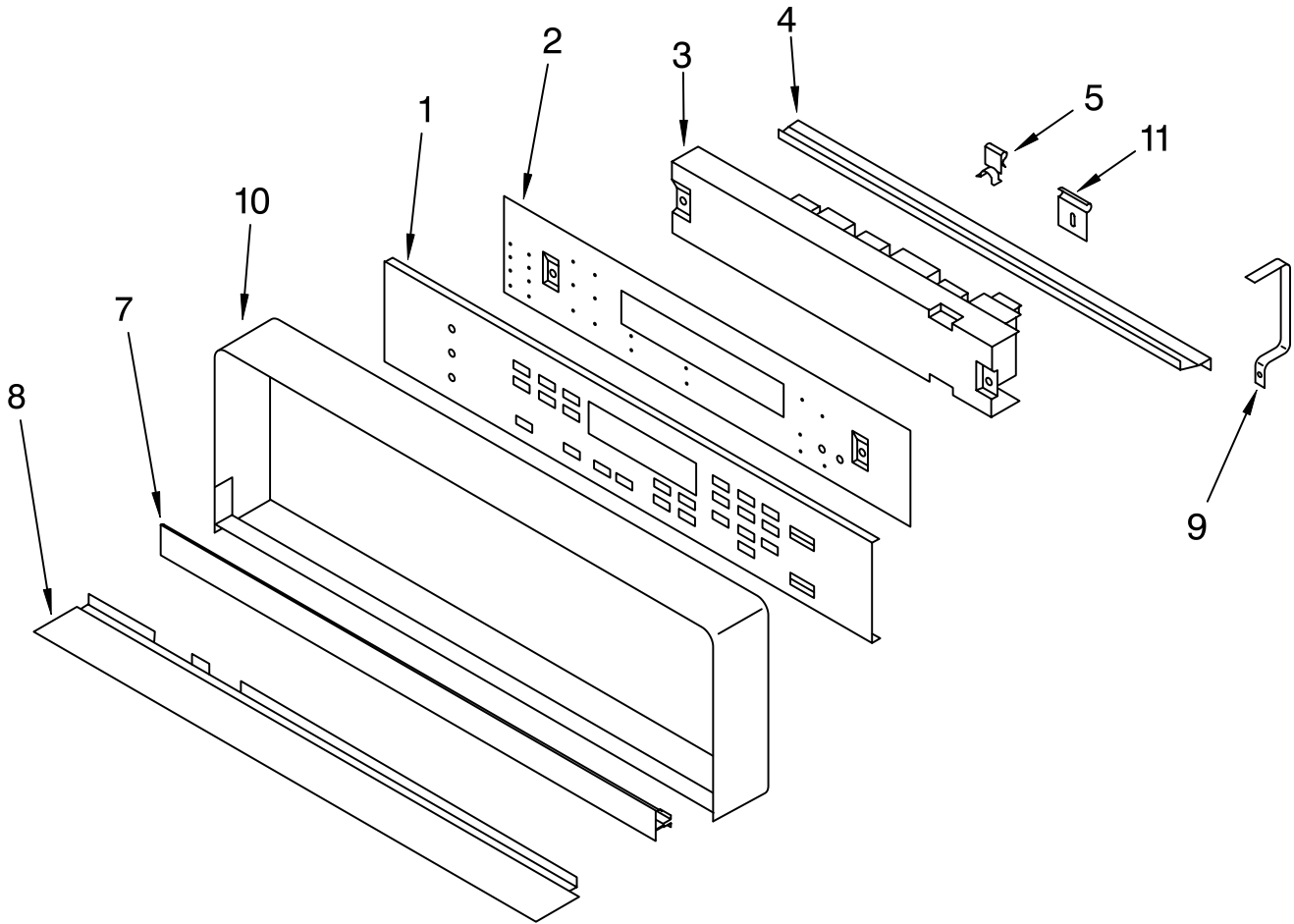
**FOLLOWING PARTS  
NOT ILLUSTRATED**

**INSULATION**

3185551	Insulation, Wrap
3177872	Insulation, Back

# CONTROL PANEL PARTS

For Model: KEMI371BBL1, KEMI371BWH1  
(BLACK) (WHITE)



Illus. No.	Part No.	DESCRIPTION
------------	----------	-------------

NOTE: The screws and nuts required to attach a part are listed immediately following that part.

1	4454356	Membrane, Switch Black Model
	4454357	White, Model
2	3183794	Bucket, Mounting Switch Membrane
3	3181702	Microcomputer
4	3183705	Retainer, Bracket
5	3182985	Clip, Retainer

Illus. No.	Part No.	DESCRIPTION
------------	----------	-------------

7	3183597	Trim, Panel Black Model
	3183599	White Model
8	3184516	Trim, Panel Black Model
	3184517	White Model
9	3184321	Bracket
10		Frame, Control Panel
	3187954	Black Model
	3187955	White Model
11	3184567	Clip, Control Frame
	309133	Screw

Illus. No.	Part No.	DESCRIPTION
------------	----------	-------------

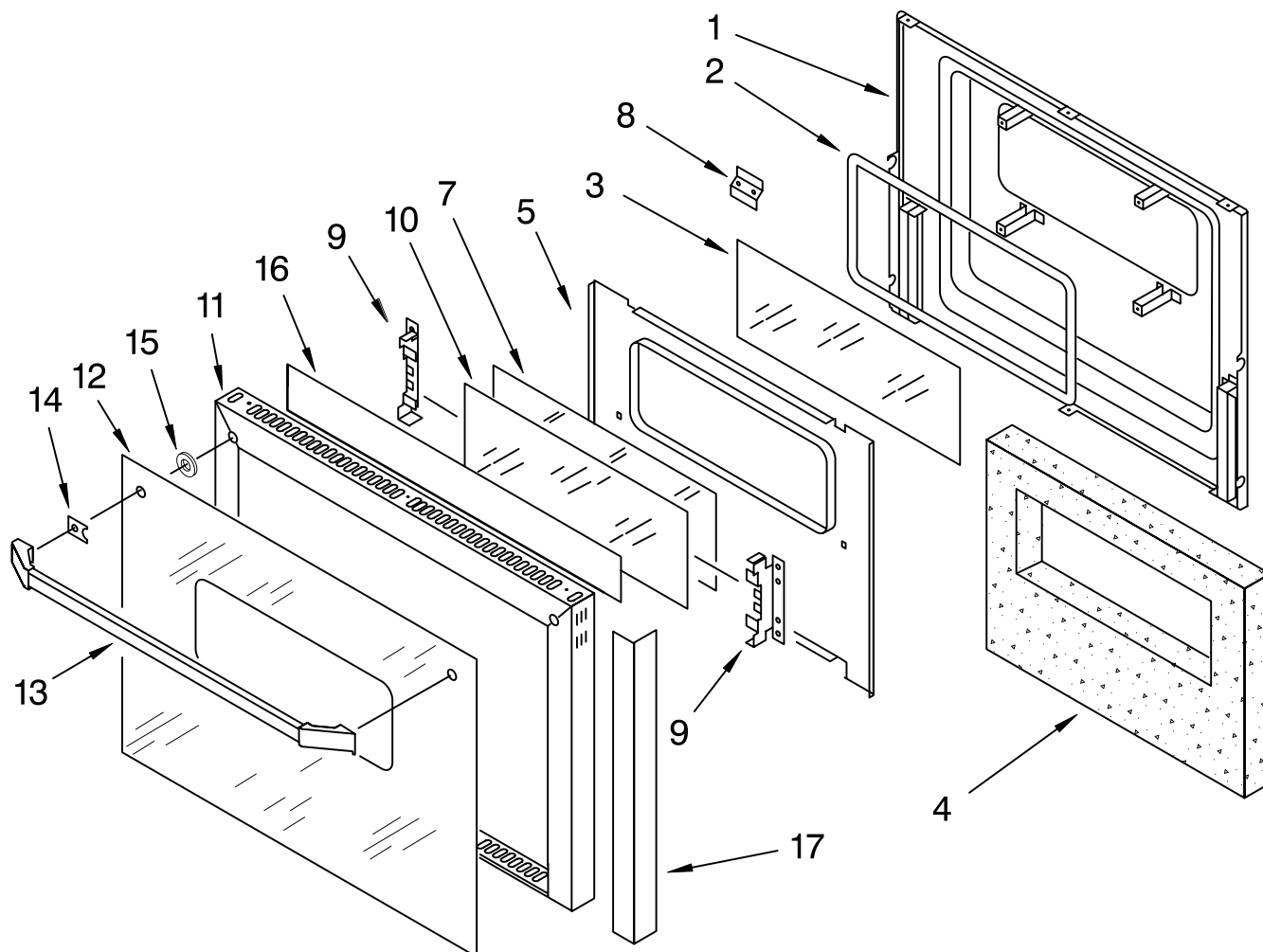
## LITERATURE PARTS

LIT3184436	Tech Sheet
LIT3184435	Installation Instructions
LIT3188193	Use & Care Guide (Oven)
LIT3188194	Use & Care Guide (Microwave)

FOR ORDERING INFORMATION REFER TO PARTS PRICE LIST

# OVEN DOOR PARTS

For Model: KEMI371BBL1, KEMI371BWH1  
(BLACK) (WHITE)



Illus. No.	Part No.	DESCRIPTION
------------	----------	-------------

NOTE: The screws and nuts required to attach a part are listed immediately following that part.

1	3185497	Liner, Door
	3178001	Screw
2	3185462	Seal, Window
3	3185457	Glass-Clear
4	3185460	Insulation, Door
5	3188815	Insulation Retainer
	4168863	Screw

Illus. No.	Part No.	DESCRIPTION
------------	----------	-------------

7	3185458	Glass, Reflective
8	3185438	Plate, Latch Strike
9	3185439	Retainer, Glass
	3185647	Screw
10	3185459	Glass-Clear
11		Frame, Door
	3187850	Black Model
	3187852	White Model
12		Glass, Door
	3187863	Black Model
	3187865	White Model

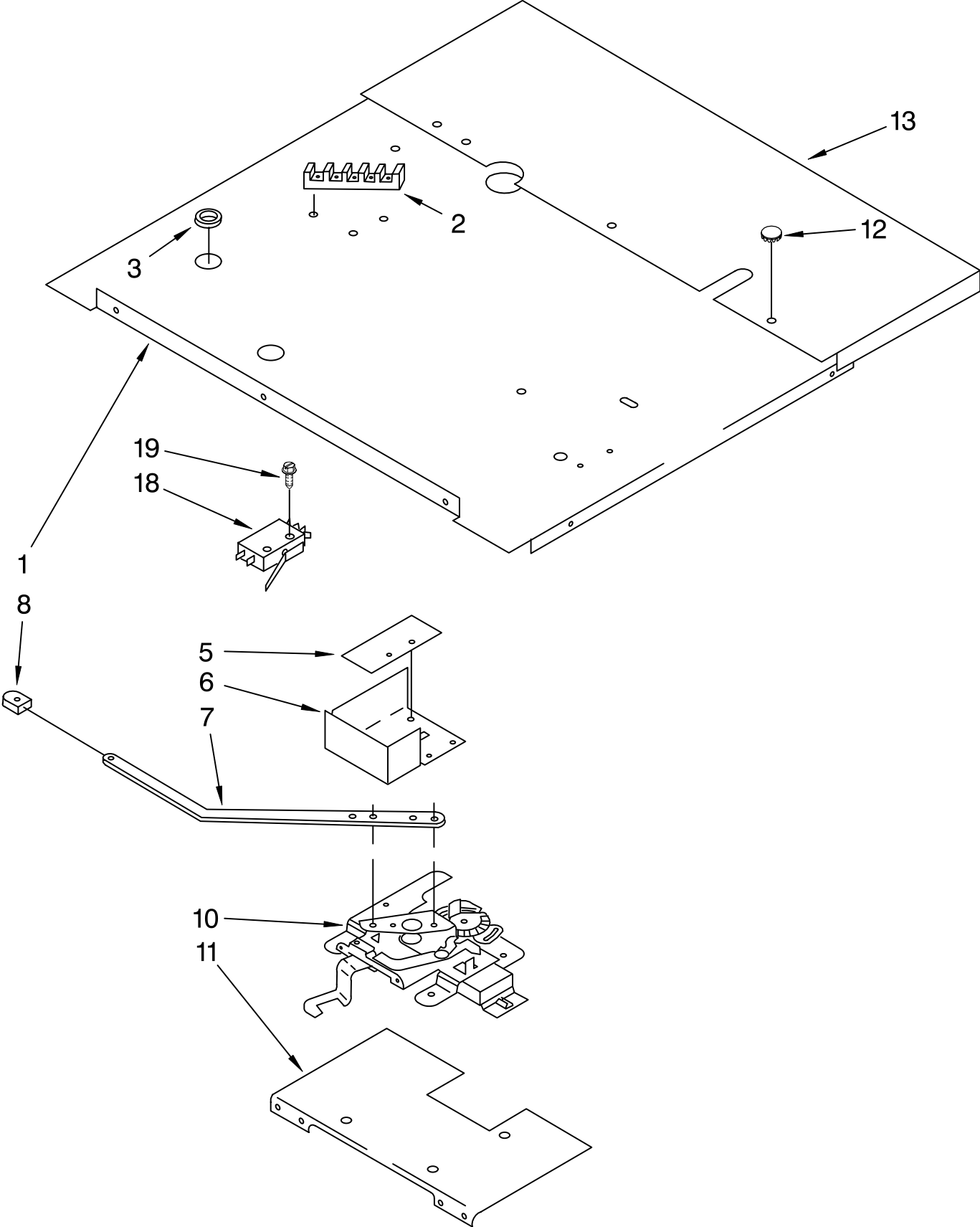
Illus. No.	Part No.	DESCRIPTION
------------	----------	-------------

13		Handle, Door
	3185986	Black Model
	3185987	White Model
14	3182138	Spacer, Door Handle
15	3188599	Bushing, Door Handle
	3184037	Screw
16	3188633	Foil-Adhesive Backed
17	3188635	Foil-Adhesive Backed

FOR ORDERING INFORMATION REFER TO PARTS PRICE LIST

# COMPONENT SHELF AND LATCH PARTS

For Model: KEMI371BBL1, KEMI371BWH1  
(BLACK) (WHITE)



FOR ORDERING INFORMATION REFER TO PARTS PRICE LIST

# COMPONENT SHELF AND LATCH PARTS

For Model: KEMI371BBL1, KEMI371BWH1  
(BLACK) (WHITE)

<b>Illus.</b>	<b>Part</b>	
<b>No.</b>	<b>No.</b>	<b>DESCRIPTION</b>

NOTE: The screws and nuts required to attach a part are listed immediately following that part.

1	3184592	Shelf, Component
	3185647	Screw
2	258076	Block, Terminal
	308043	Screw (2)
3	3181919	Bushing, Electric
5	3178185	Insulator, Switch
6	3177662	Guard, Latch
	3177991	Screw (1)
	254225	Screw (2)
7	3181963	Handle, Latch
	3185414	Screw
8	3184039	Knob, Latch
		Handle
	3183294	Screw
10	3178410	Latch, Mechanism
	3177991	Screw (3)
11	3177496	Plate, Mounting
12	3179777	Button, Plug
13	3180332	Extension, Shelf
	3177991	Screw (7)
	3185647	Screw
18	3183784	Switch, Latch
19	98106	Screw

## IMPORTANT PRODUCT SAFETY INFORMATION

**ADVISE CONSUMERS OF AN ELECTROCUTION HAZARD WITH DO-IT-YOURSELF REPAIRS OF MICROWAVE OVENS.**

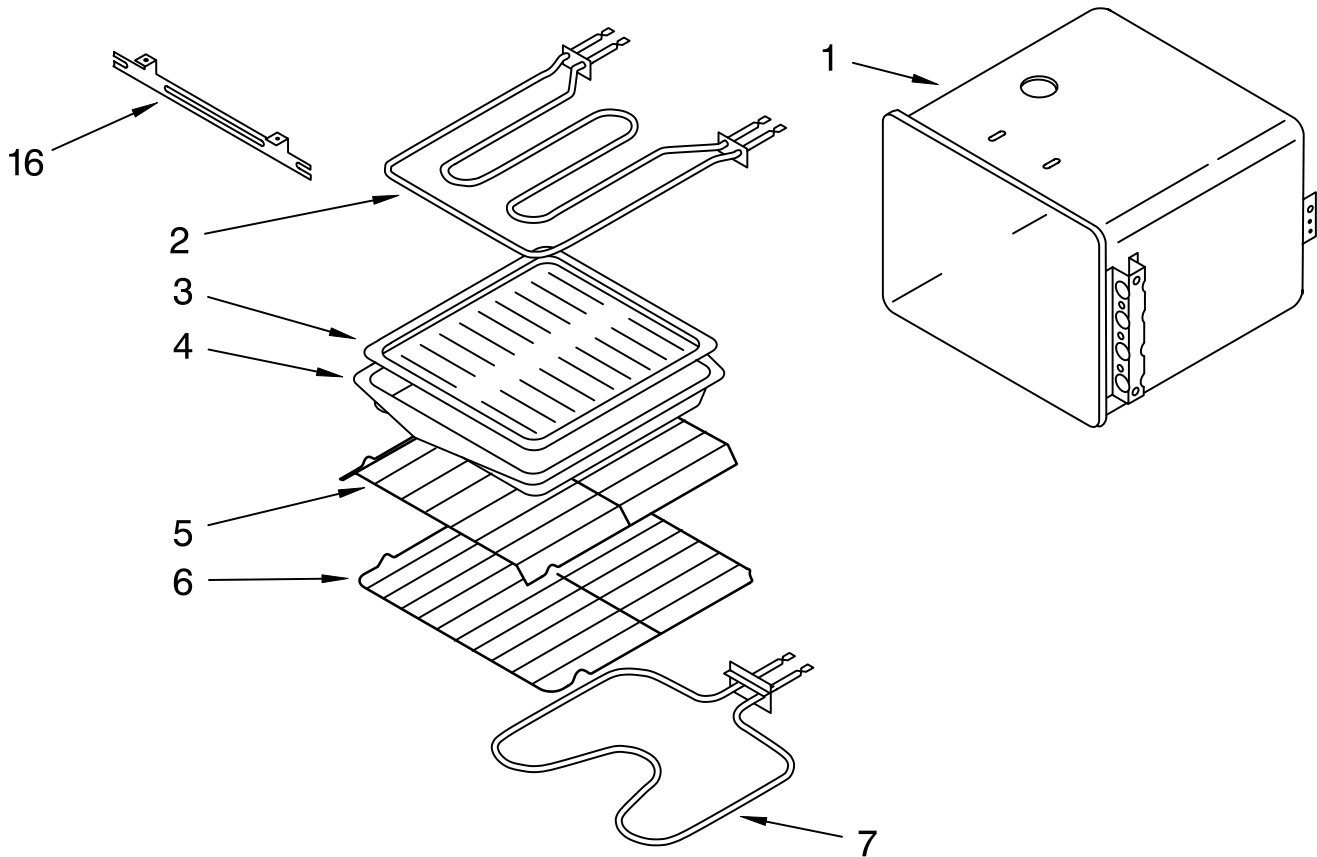
The U.S. Consumer Product Safety Commission warns against do-it-yourself repairs of microwave ovens. Microwave ovens use high voltage which makes it particularly hazardous for consumers to remove the cover and touch electrical parts.

**STRONGLY RECOMMEND THAT CONSUMERS HAVE PROFESSIONALS REPAIR MICROWAVE OVENS.**

FOR ORDERING INFORMATION REFER TO PARTS PRICE LIST

# INTERNAL OVEN PARTS

For Model: KEMI371BBL1, KEMI371BWH1  
(BLACK) (WHITE)



Illus. No.	Part No.	DESCRIPTION
------------	----------	-------------

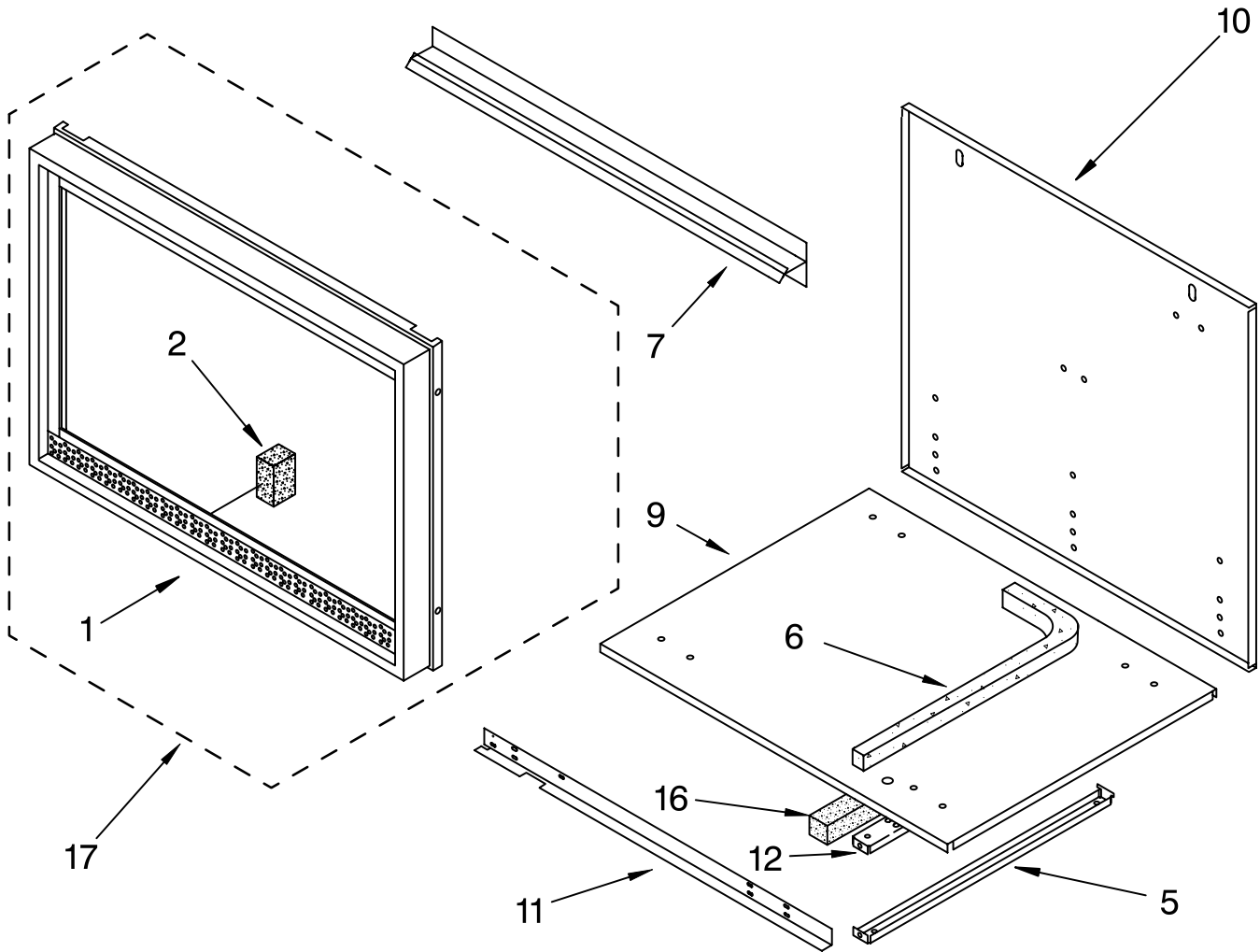
NOTE: The screws and nuts required to attach a part are listed immediately following that part.

1	3185562	Liner, Oven
2	661415	Element, Broil
3	3147563	Grill, Broiler
4	3147845	Pan, Broiler
5	3185367	Rack, Offset
6	3185368	Rack, Oven
7	661416	Element, Bake
	3185648	Screw (2)
16	3180694	Bracket, Element
	3185648	Screw (4)

FOR ORDERING INFORMATION REFER TO PARTS PRICE LIST

# MICROWAVE COMPARTMENT PARTS

For Model: KEMI371BBL1, KEMI371BWH1  
(BLACK) (WHITE)



Illus. No.	Part No.	DESCRIPTION
------------	----------	-------------

NOTE: The screws and nuts required to attach a part are listed immediately following that part.

1	3188341	Frame, Outer Black Model
	3188342	White Model
2	3187143	Block, Foam

Illus. No.	Part No.	DESCRIPTION
------------	----------	-------------

5	3179973	Rail, Microwave
6	3184897	Seal, Foam
7	3187883	Vent, Middle Trim Black Model
	3187885	White Model
9	3180330	Support Module
	3185647	Screw
10	3180336	Back, Microwave Compartment
	3185647	Screw

Illus. No.	Part No.	DESCRIPTION
------------	----------	-------------

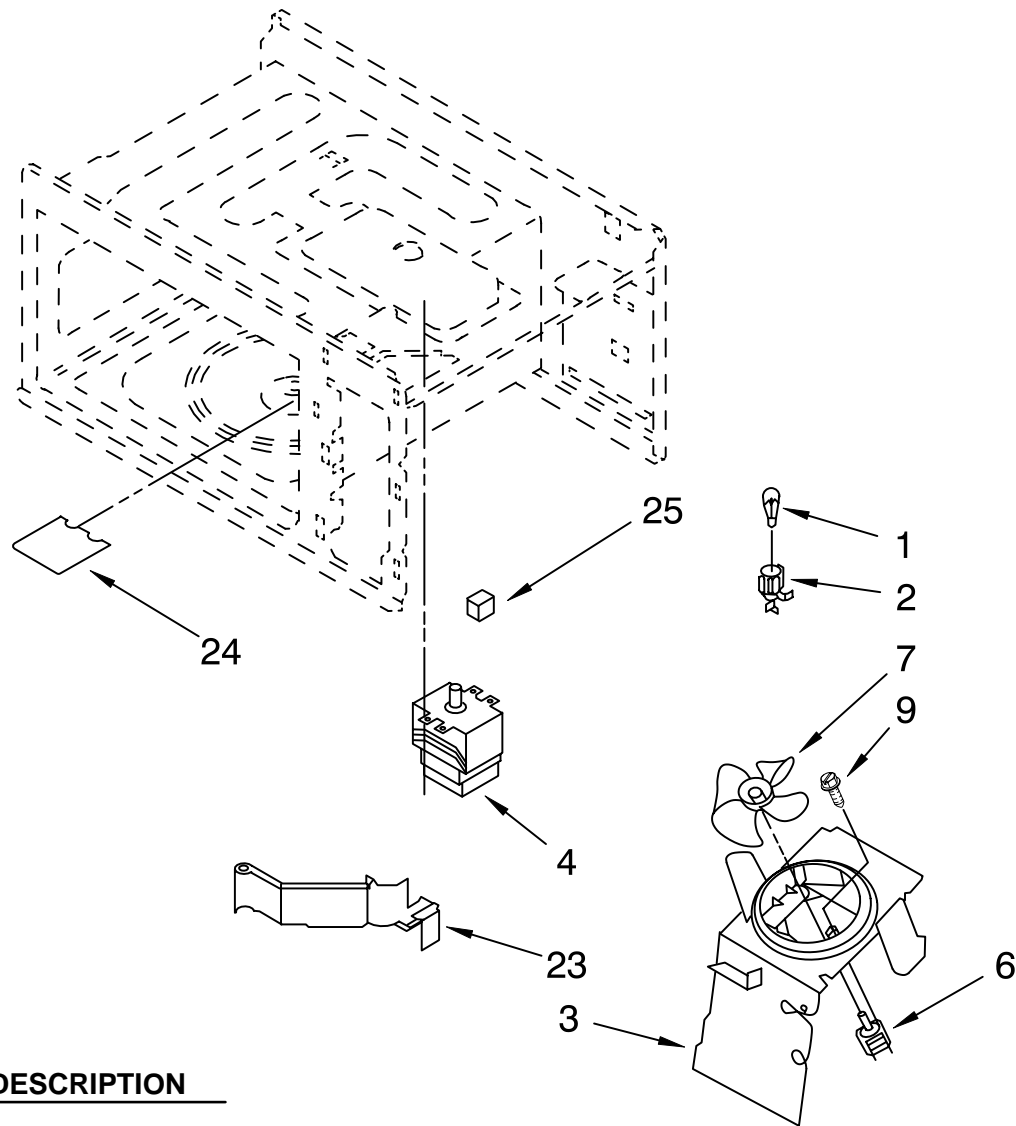
11	3182764	Ext. Module Support
	3185647	Screw
12	3179972	Rail, Chassis
	3185647	Screw
16	3187142	Seal, Foam
17	3188373	Assembly-Frame & Seal Black Model
	3188374	White Model

FOR ORDERING INFORMATION REFER TO PARTS PRICE LIST



# MAGNETRON AND AIR FLOW PARTS

For Model: KEMI371BBL1, KEMI371BWH1  
(BLACK) (WHITE)



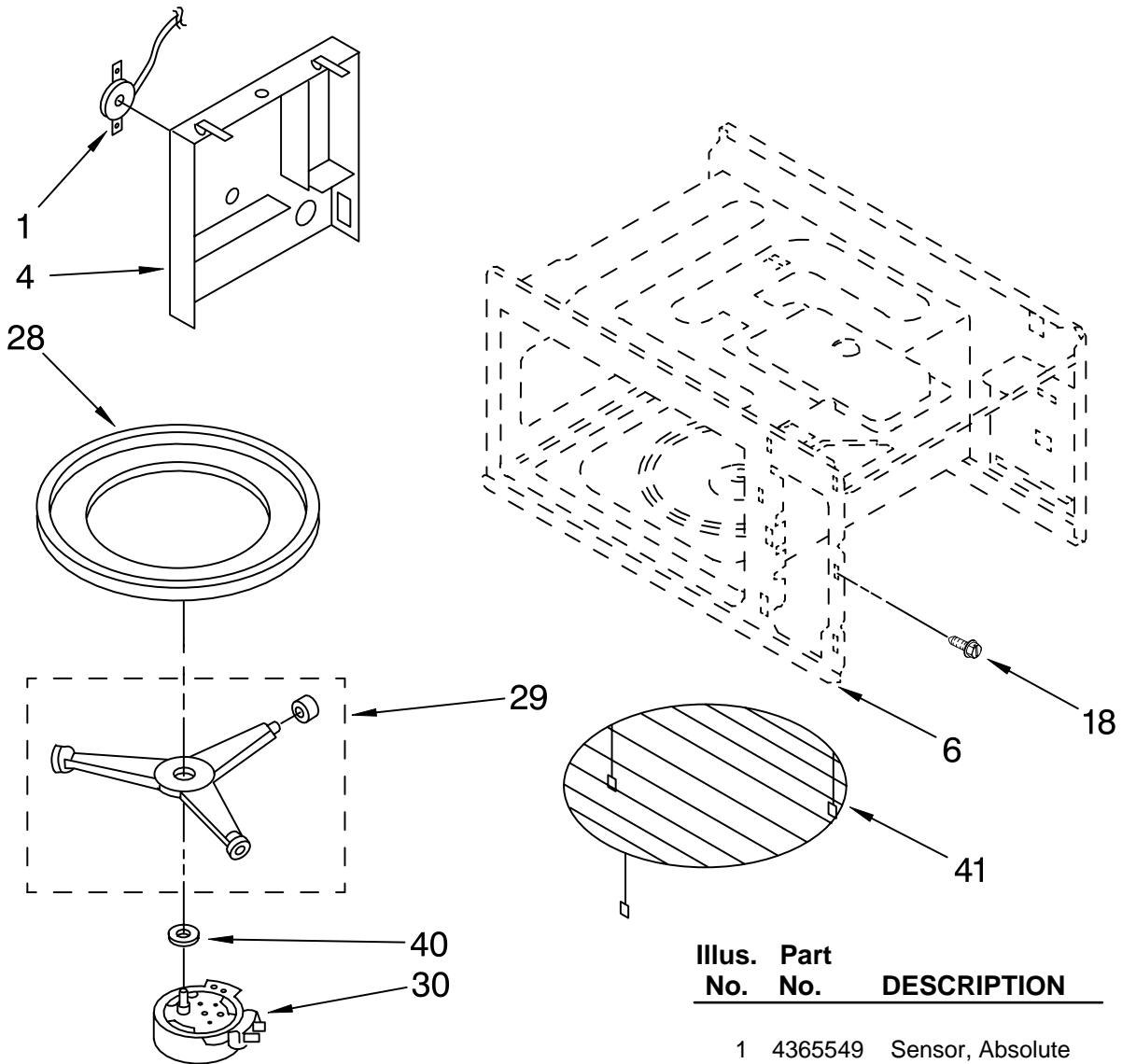
Illus. No.	Part No.	DESCRIPTION
------------	----------	-------------

1	4174873	Lamp, Oven
2	4313607	Socket, Lamp
3	4313686	Duct, Fan
4	4365544	Magnetron
	4365500	Screw
6	4313672	Motor, Fan
7	4174669	Blade, Fan
9	4313701	Screw
23	4365553	Duct, Magnetron
24	4313687	Cover, Wave Guide
25	4313643	Shield, Magnetron

FOR ORDERING INFORMATION REFER TO PARTS PRICE LIST

# CAVITY AND TURNTABLE PARTS

For Model: KEMI371BBL1, KEMI371BWH1  
(BLACK) (WHITE)

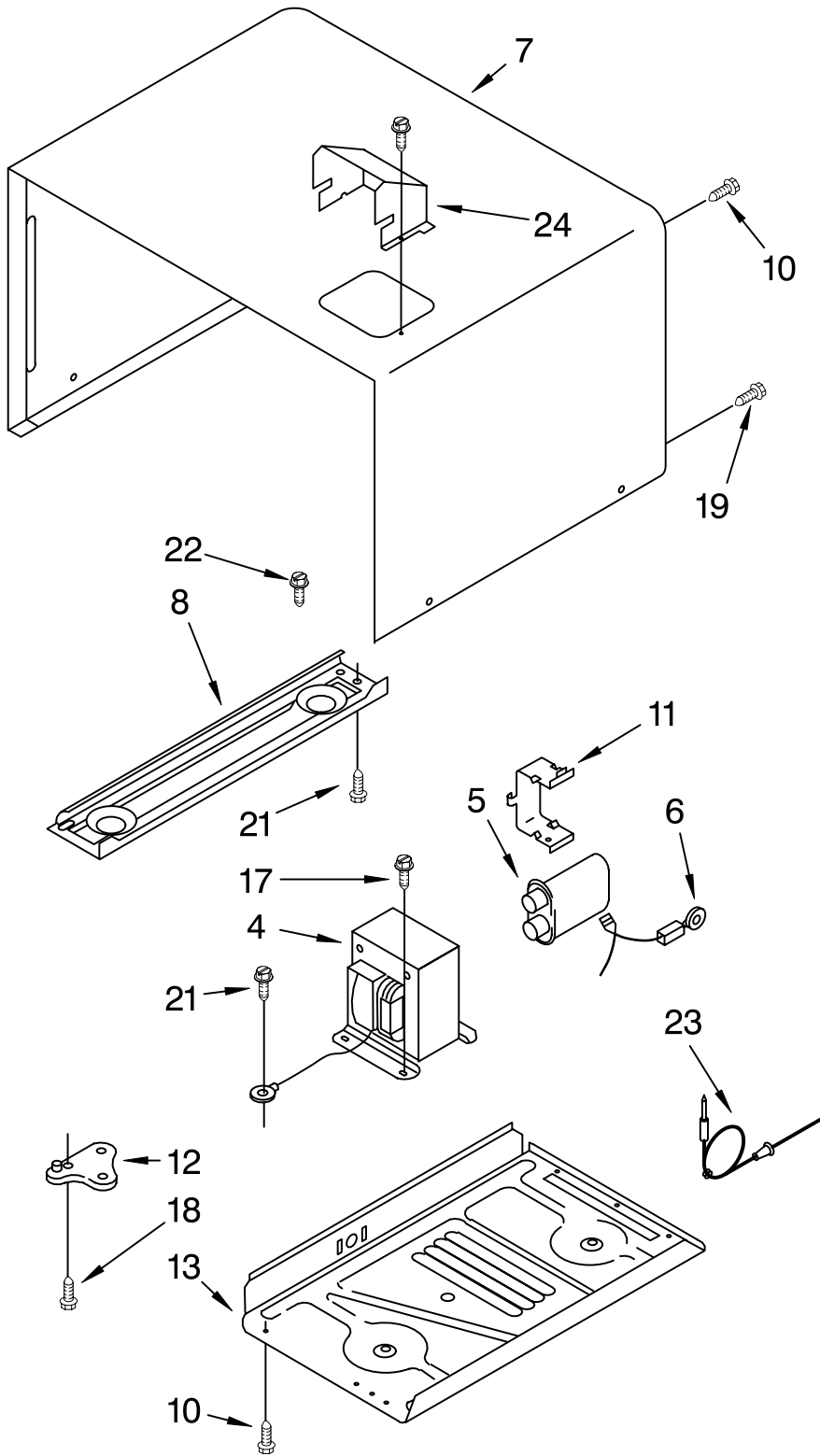


Illus. No.	Part No.	DESCRIPTION
1	4365549	Sensor, Absolute Humidity
	4174757	Screw
4	4365557	Duct, Sensor
6		Oven Cavity Non-Serviceable
18	4174784	Screw
28	4313690	Tray, Glass
29	4365526	Support, Turntable
30	4357340	Motor, Turntable
40	4313642	Gasket, Turntable
41	4357400	Rack, Oven

FOR ORDERING INFORMATION REFER TO PARTS PRICE LIST

# CABINET PARTS

For Model: KEMI371BBL1, KEMI371BWH1  
(BLACK) (WHITE)

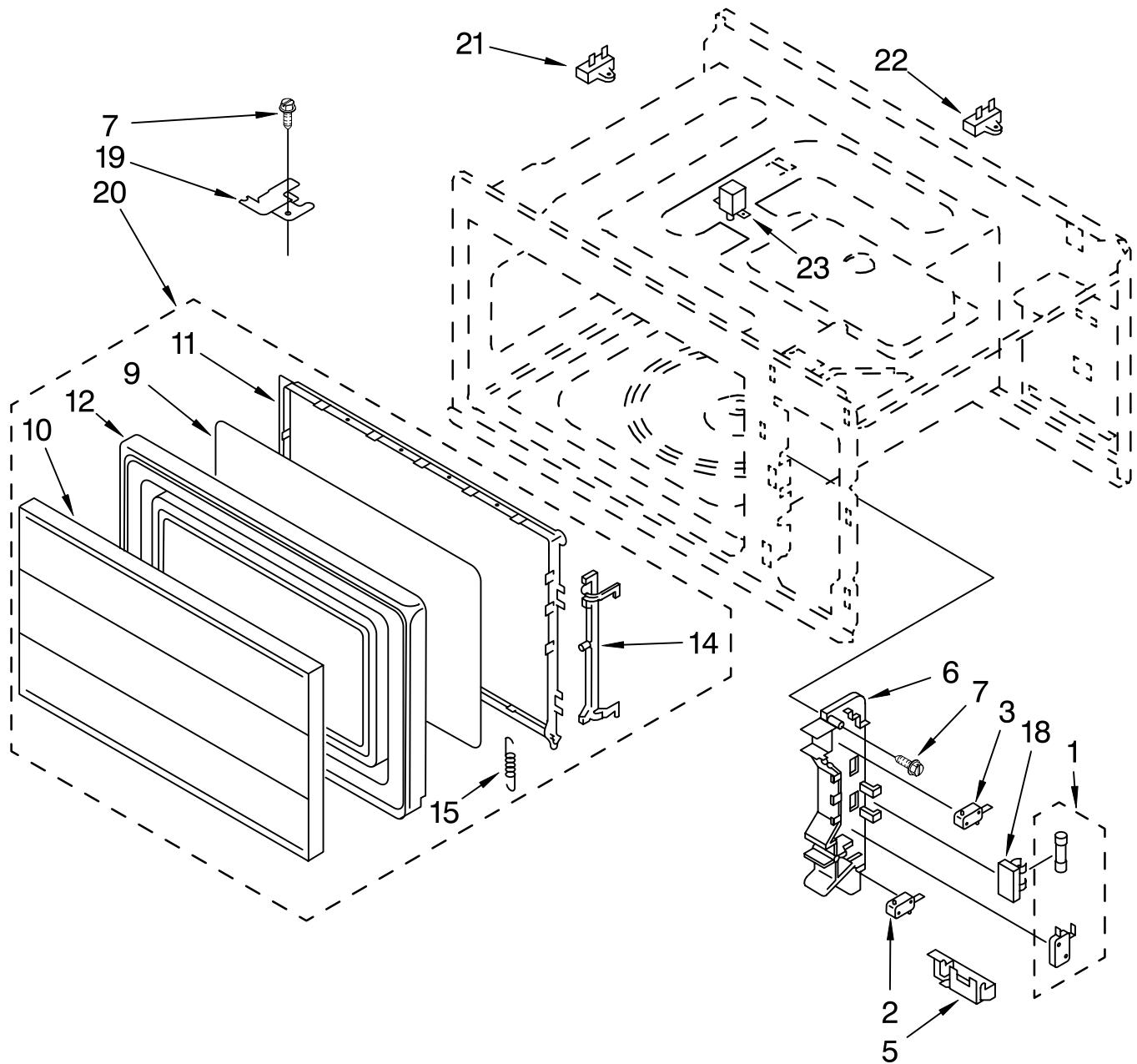


Illus. No.	Part No.	DESCRIPTION
4	4365545	Transformer
5	4313605	Capacitor
6	4313671	Rectifier
	4365530	Screw
7		Outer Cabinet
	4365555	White Model
	4365554	Black Model
8	4365552	Plate, Base
		Left Side
10	4357320	Screw
11	4313681	Bracket, Capacitor
	4174811	Screw
	4313663	Screw
12	4313619	Lower Hinge
13	4365551	Base Plate
		Right Side
17	4365500	Screw
18	4313664	Screw
19	4313665	Screw
21	4164610	Screw
22	4174811	Screw
23	4365550	Probe, Temperature
24	4365558	Duct, Exhaust
		(Front)

FOR ORDERING INFORMATION REFER TO PARTS PRICE LIST

# DOOR AND LATCH PARTS

For Model: KEMI371BBL1, KEMI371BWH1  
(BLACK) (WHITE)



Illus. No.	Part No.	DESCRIPTION
1	4365543	Switch and Fuse Assy.
2	4365522	Secondary Switch
3	4365522	Switch, Light
5	4313624	Latch Lever
6	4313620	Latch Hook
7	4174784	Screw
	4365571	Screw
9		Seal, Door Non-Serviceable

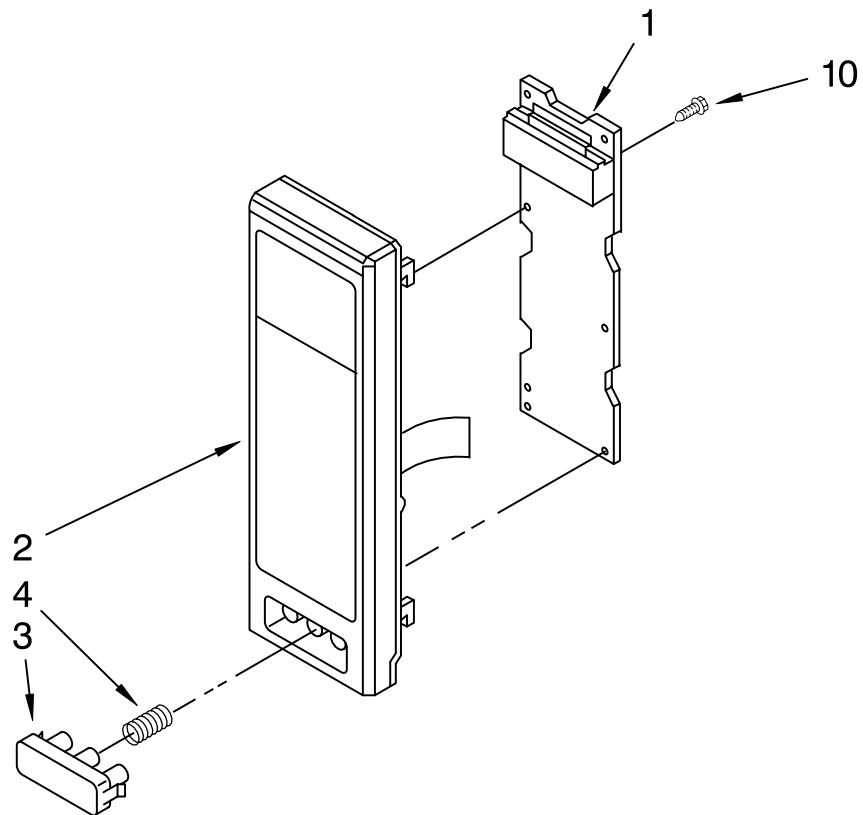
Illus. No.	Part No.	DESCRIPTION
10	4357398	Black Screen, Door
	4357399	White
11	4313700	Choke, Cover Non-Serviceable
12		Frame, Door
14	4313652	Latch, Door
15	4174992	Spring, Latch
18	4365542	Holder, Fuse
19	4365556	Hinge, Upper

Illus. No.	Part No.	DESCRIPTION
20		Door, Complete
	4357397	White
	4357396	Black
21	4313674	Fuse, Temp
	4174826	Screw
22	4313613	Fuse, Magnetron Temp
	4174826	Screw
23	4174898	Connector
	4174756	Screw

FOR ORDERING INFORMATION REFER TO PARTS PRICE LIST

# MICROWAVE CONTROL PANEL PARTS

For Model: KEMI371BBL1, KEMI371BWH1  
(BLACK) (WHITE)



<u>Illus. No.</u>	<u>Part No.</u>	<u>DESCRIPTION</u>
-------------------	-----------------	--------------------

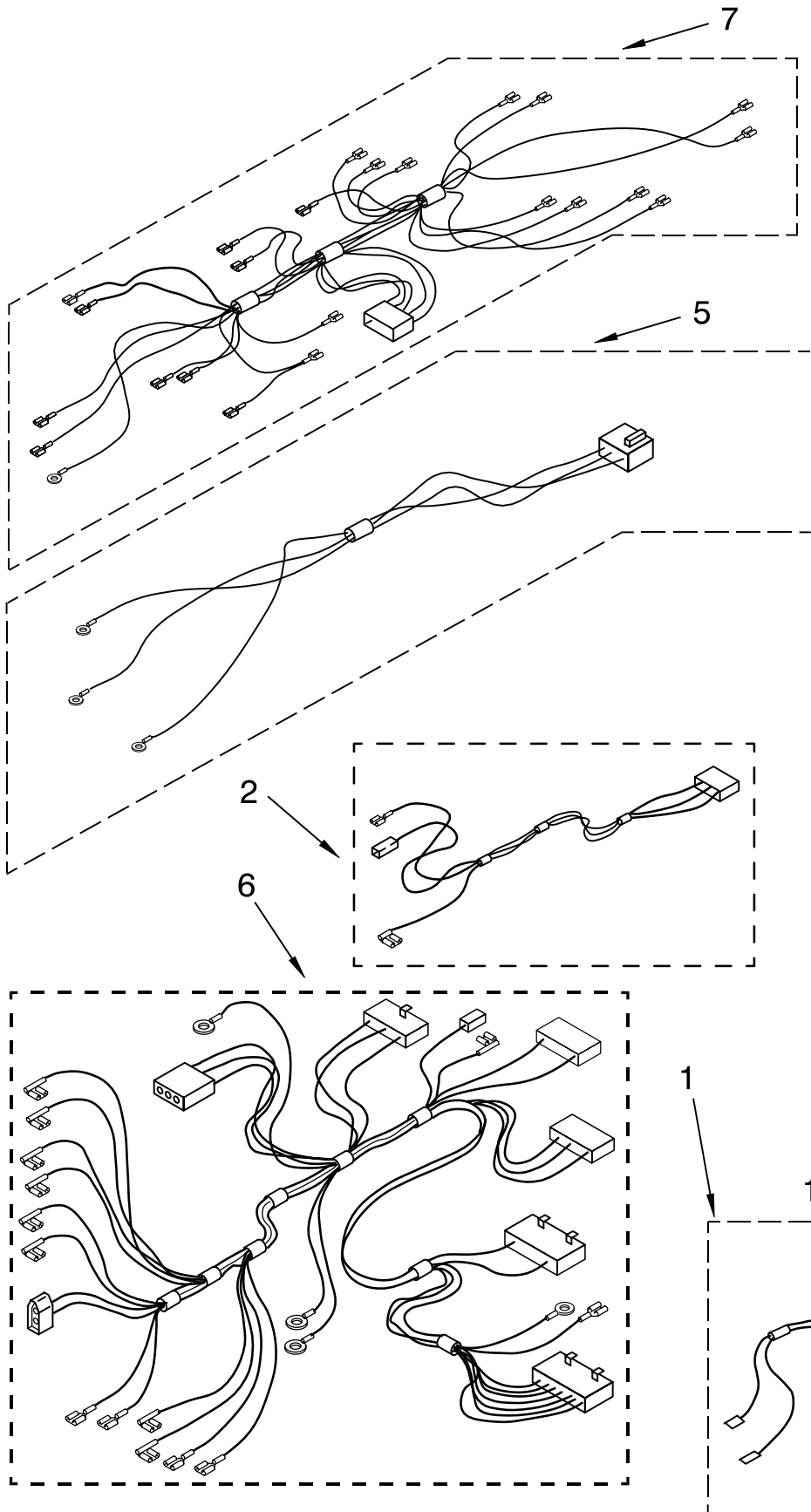
NOTE: The screws and nuts required to attach a part are listed immediately following that part.

1	4357393	Microcomputer
2	4357395	Frame, Control Panel
	4357394	Black
	4357394	White
3	4365565	Push Button
	4365565	White
	4365564	Black
4	4313631	Spring, Button
10	4313632	Screw

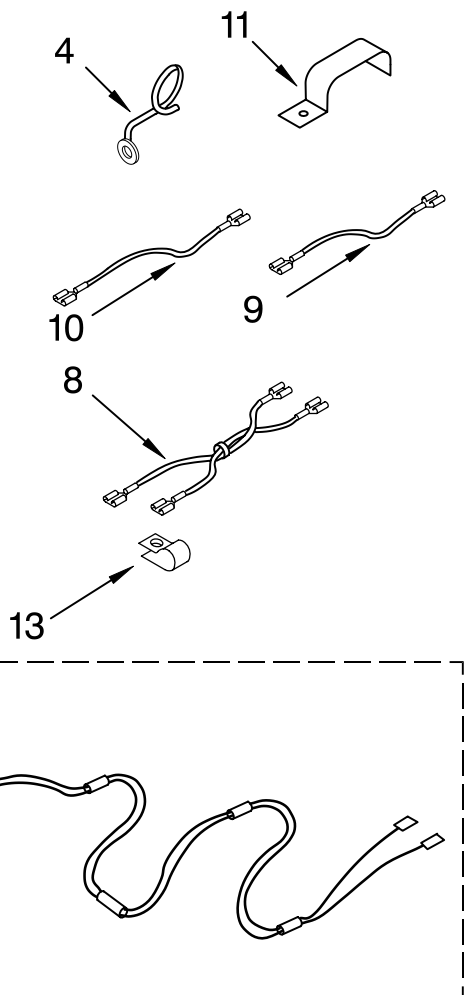
FOR ORDERING INFORMATION REFER TO PARTS PRICE LIST

# WIRING HARNESS PARTS

For Model: KEMI371BBL1, KEMI371BWH1  
(BLACK) (WHITE)



Illus. No.	Part No.	DESCRIPTION
1	3185130	Harness, Wiring (Light Switch)
2	3184819	Harness, Wiring (Latch-Combo)
4	3179668	Harness, Wiring (Standoff)
5	3181721	Harness, Wiring (Microwave Power)
6	3184820	Harness, Wire (Main Power)
7	4365576	Harness, Wiring (Microwave Main)
8	4365506	Harness, Wiring Thermal Protection
9	4313679	H.V. Wire
10	4365546	Sensor Ground Wire
11	4159037	Clamp, Electrical
13	313438	Clip



FOR ORDERING INFORMATION REFER TO PARTS PRICE LIST

# LITERATURE AND OPTIONAL PARTS

For Model: KEMI371BBL1, KEMI371BWH1  
(BLACK) (WHITE)

Illus. Part  
No. No. DESCRIPTION

## OPTIONAL PARTS NOT INCLUDED

### PAINT, TOUCH-UP (1/2oz.)

72017 White  
261869 Cord Brown  
72032 Black

### PAINT, SPRAY

350930 White  
261900 Citrine White  
830864 Black

### ADHESIVE

591014 Adhesive  
Loctite (1/3 oz.)  
482338 Sealer, Silastic  
(3 oz.)

## SPLICING WIRES--25FT.

### LENGTH

242828 Wire (12 Ga.  
150 c Black)  
242820 Wire (14 Ga.  
150 c Black)  
242821 Wire (14 Ga.  
150 c Blue)  
242822 Wire (14 Ga.  
150 c Brown)  
242830 Wire (14 Ga.  
200 c Brown)  
242823 Wire (14 Ga.  
150 c Green)  
242824 Wire (14 Ga.  
150 c Orange)  
242829 Wire (12 Ga.  
150 c Red)  
242825 Wire (14 Ga.  
150 c Red)  
242831 Wire (14 Ga.  
200 c Red)  
242826 Wire (14 Ga.  
150 c White)  
242827 Wire (14 Ga.  
150 c Yellow)  
242832 Wire (14 Ga.  
200 c Yellow)

## FOLLOWING PARTS NOT ILLUSTRATED

4319146 Trim, White  
4319147 Trim, Almond  
4319148 Trim, Gray

FOR ORDERING INFORMATION REFER TO PARTS PRICE LIST