

Literature Parts

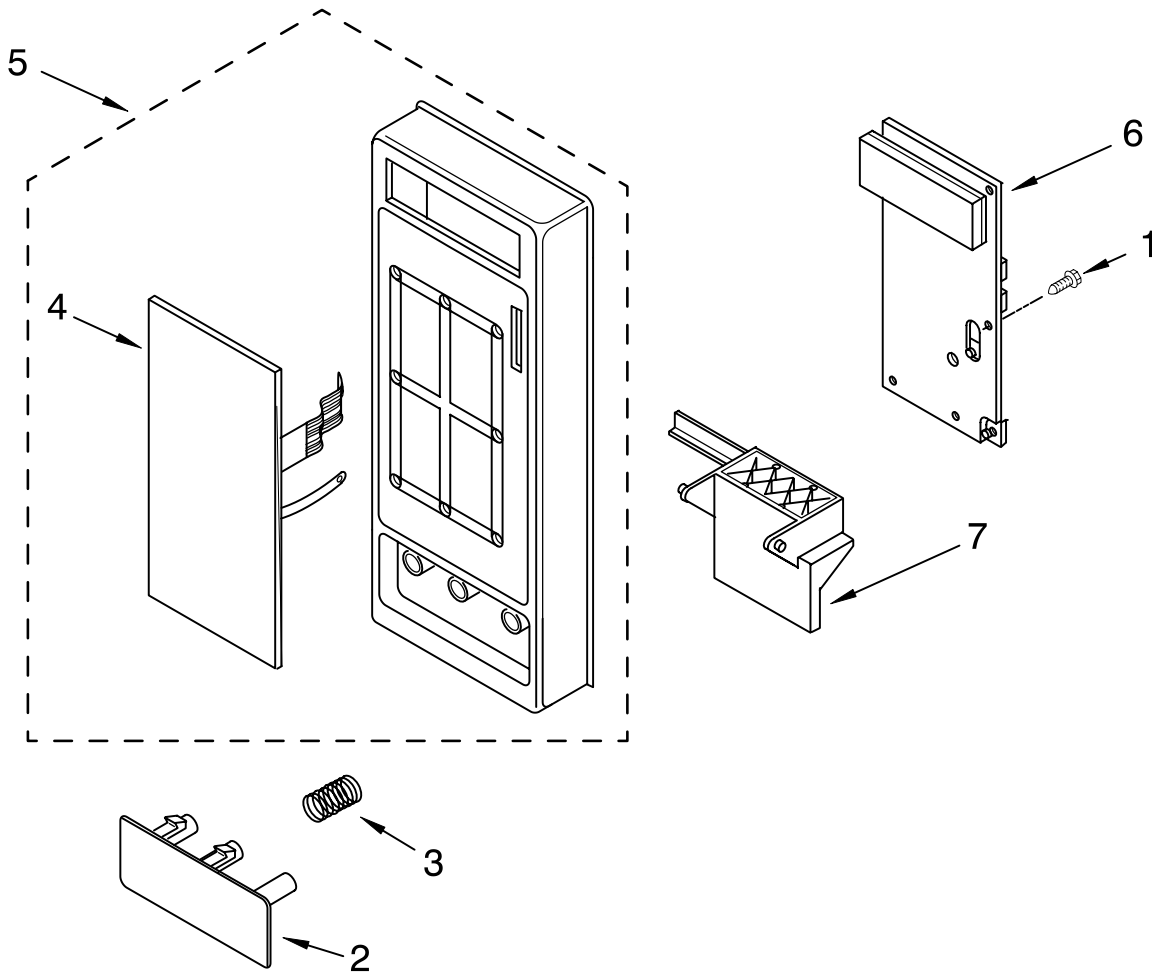
| Illus. No. | Part No.  | DESCRIPTION                               |
|------------|-----------|---|
| 1          |           | Literature                                |
|            | W10165700 | Use & Care Guide                          |
|            | W10114101 | Cook Guide Label                          |
|            | W10169262 | Tech Sheet                                |
|            | 8205554   | Instructions, Installation (For Trim Kit) |
| 2          | W10169263 | Front Screen                              |

| Illus. No. | Part No.  | DESCRIPTION                      |
|------------|-----------|----------------------------------|
| 3          |           | Frame Assembly (Non-Serviceable) |
| 4          | W10169266 | Choke Cover                      |
| 5          | W10169264 | Tape, Seal                       |
| 6          | 8184263   | Latch                            |
| 7          | 8171918   | Spring, Latch                    |

| Illus. No. | Part No.  | DESCRIPTION      |
|------------|-----------|------------------|
| 8          |           | Panel, Door      |
|            | W10169268 | White            |
|            | W10169301 | Black            |
|            | W10169314 | Stainless        |
| 9          | 8184265   | Cap, Choke Cover |
| 10         |           | Door Assembly    |
|            | W10169267 | White            |
|            | W10169300 | Black            |
|            | W10169312 | Stainless        |

# CONTROL PANEL PARTS

For Models: KCMS1555SWH0, KCMS1555SBL0, KCMS1555SSS0  
 (White) (Black) (Stainless Steel)

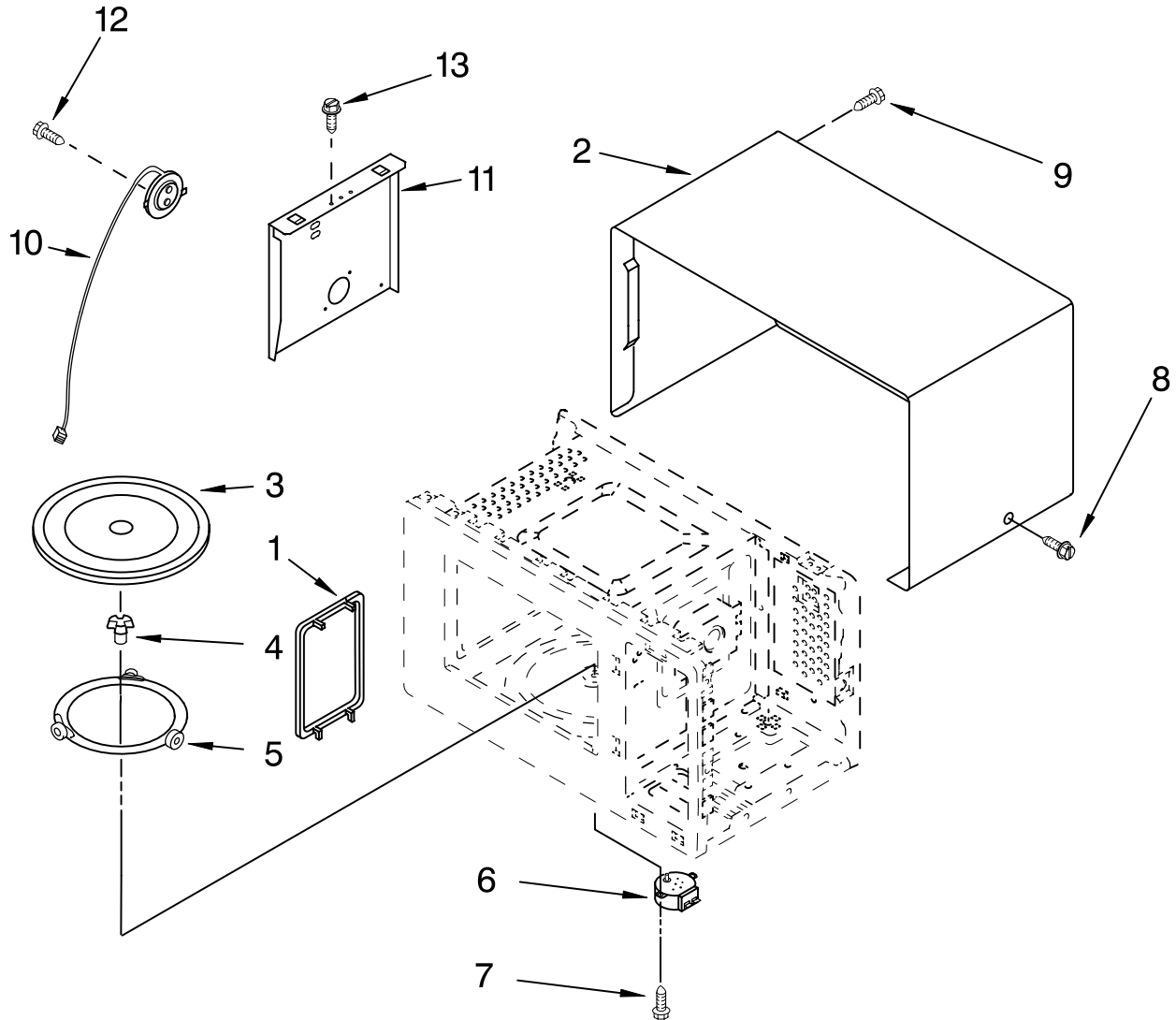


| Illus. No. | Part No. | DESCRIPTION |
|------------|----------|-------------|
|------------|----------|-------------|

|   |           |                |
|---|-----------|----------------|
| 1 | 4358381   | Screw          |
| 2 |           | Release Button |
|   | W10169271 | White          |
|   | W10169304 | Black          |
|   | W10169315 | Stainless      |
| 3 | 8184272   | Spring, Button |
| 4 |           | Membrane       |
|   | W10169269 | White          |
|   | W10169302 | Black          |
| 5 | 8205816   | Control Panel  |
|   | W10169270 | White          |
|   | W10169303 | Black          |
|   | W10169316 | Stainless      |
| 6 | W10169272 | Microcomputer  |
| 7 | 8205451   | Lever, Release |

# OVEN CAVITY PARTS

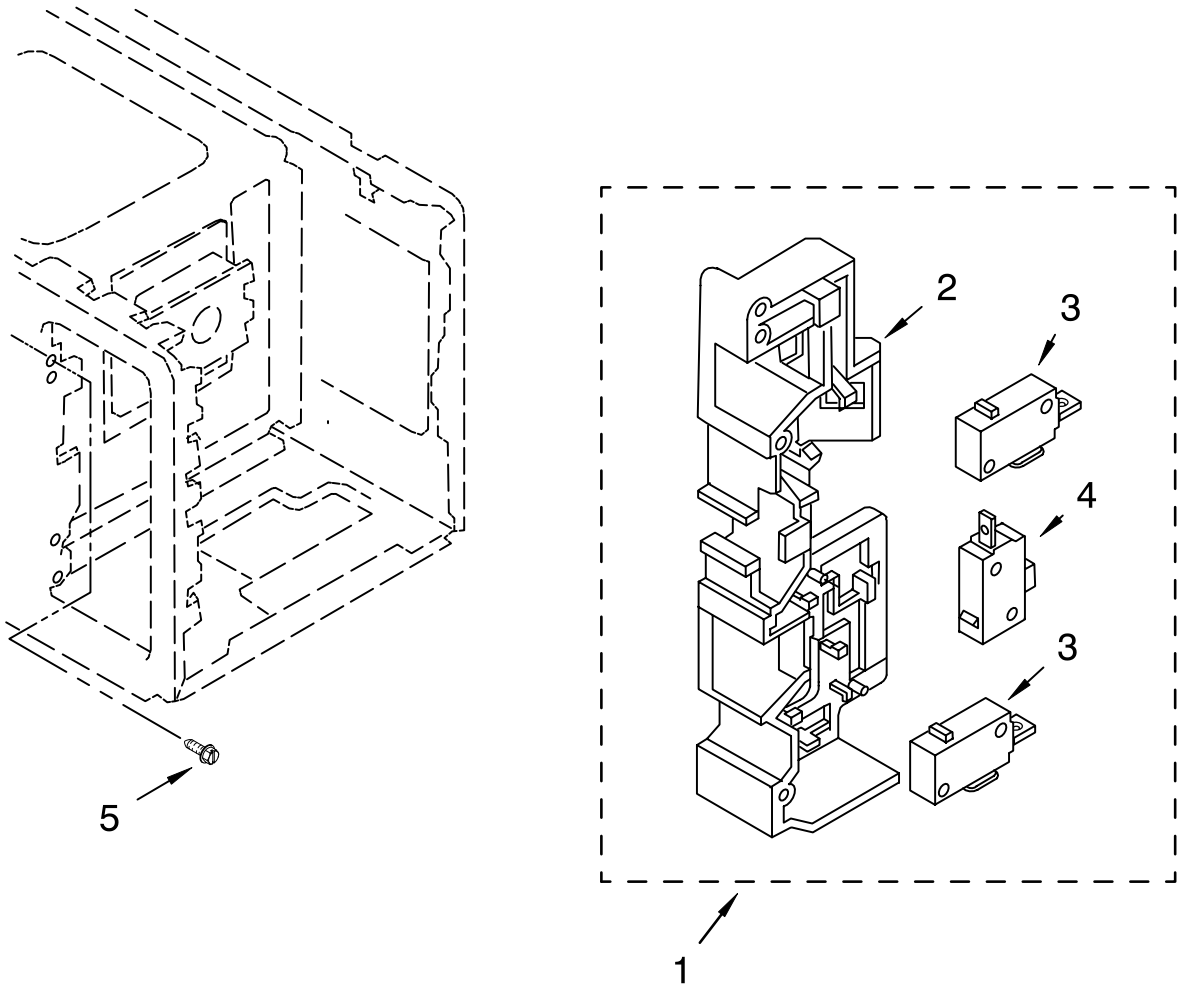
For Models: KCMS1555SWH0, KCMS1555SBL0, KCMS1555SSS0  
 (White) (Black) (Stainless Steel)



| Illus. No. | Part No.  | DESCRIPTION        |
|------------|-----------|--------------------|
| 1          | 8184278   | Canopy             |
| 2          | 8205453   | Outer Case         |
|            | 8205801   | White              |
|            | 8205818   | Black              |
|            | 8205818   | Stainless          |
| 3          | W10143945 | Tray, Glass        |
| 4          | W10143947 | Shaft, Turntable   |
| 5          | W10143946 | Ring, Rotating     |
| 6          | W10169273 | Motor, Synchronous |
| 7          | 4358188   | Screw              |
| 8          | 4358362   | Screw              |
| 9          | 8171862   | Screw              |
| 10         | 8183514   | Sensor, Humidity   |
| 11         | 8205457   | Guide, Sensor      |
| 12         | 4358376   | Screw              |
| 13         | 4358192   | Screw              |

# LATCH BOARD PARTS

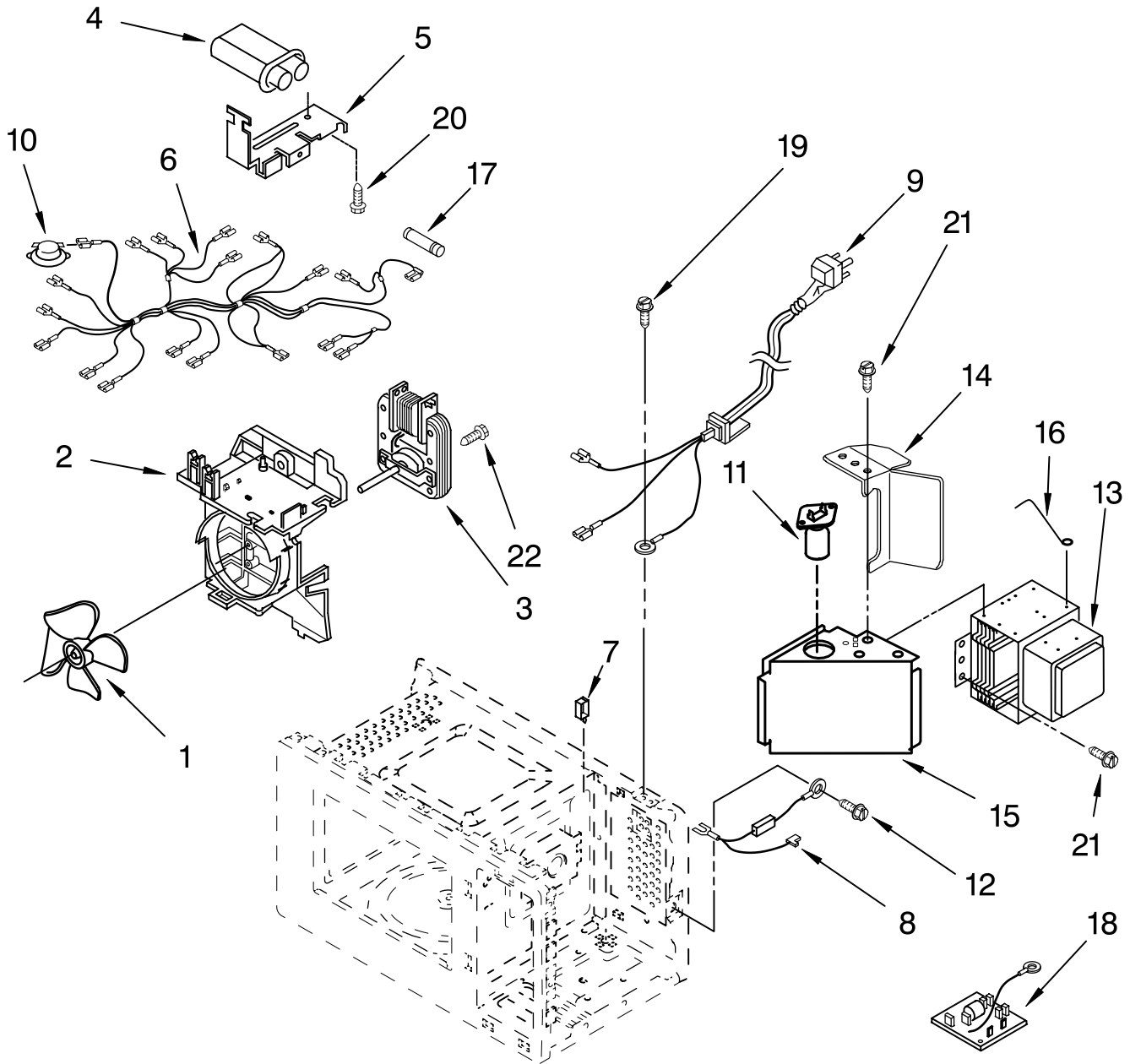
For Models: KCMS1555SWH0, KCMS1555SBL0, KCMS1555SSS0  
 (White) (Black) (Stainless Steel)



| Illus. No. | Part No. | DESCRIPTION                            |
|------------|----------|--|
| 1          |          | Latch Board Assembly (Non-Serviceable) |
| 2          | 8185271  | Latch Board                            |
| 3          | 8183561  | Switch Micro Primary/Secondary         |
| 4          | 8183562  | Switch, Micro Monitor                  |
| 5          | 4358271  | Screw                                  |

# OVEN INTERIOR PARTS

For Models: KCMS1555SWH0, KCMS1555SBL0, KCMS1555SSS0  
(White) (Black) (Stainless Steel)



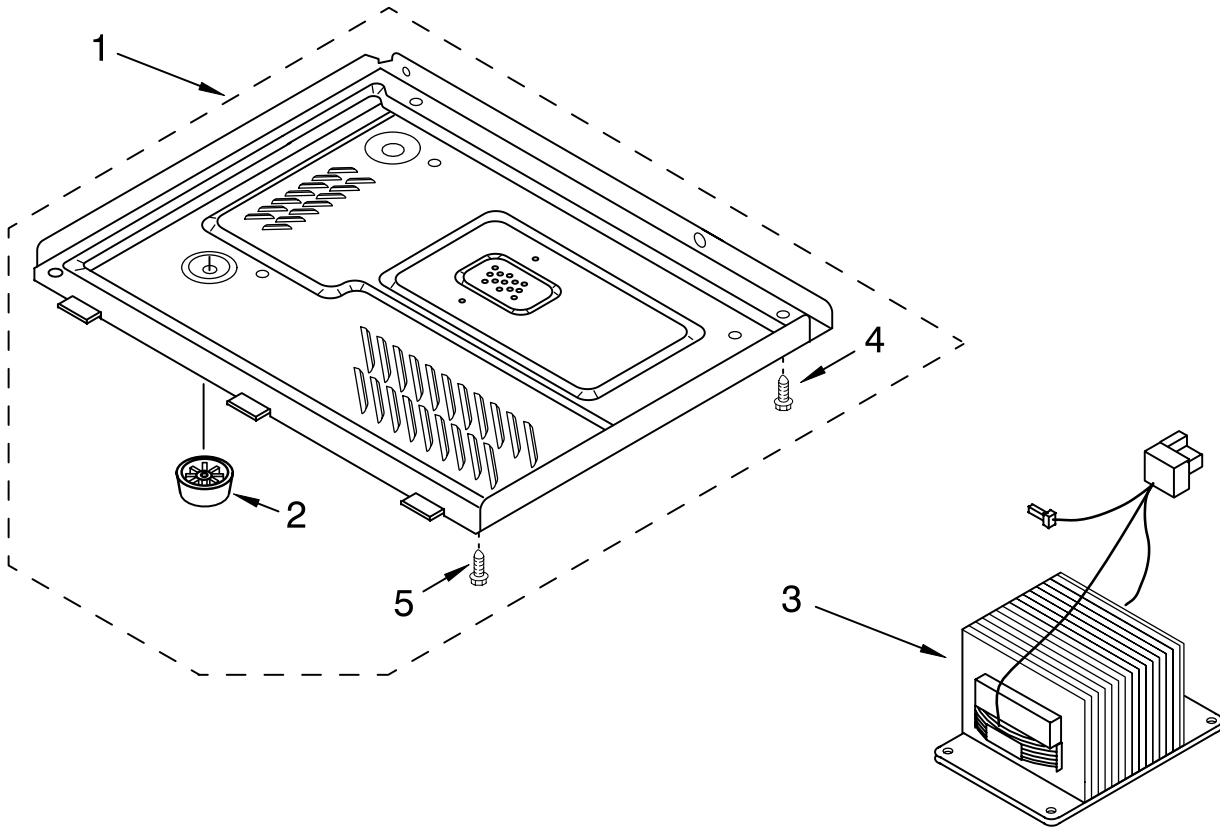
| Illus. No. | Part No.  | DESCRIPTION       |
|------------|-----------|-------------------|
| 1          | 8205458   | Blade, Fan        |
| 2          | W10169274 | Guide, Suction    |
| 3          | 8205462   | Motor, Fan        |
| 4          | 8184813   | H.V. Capacitor    |
| 5          | 8184288   | H.V.C Bracket     |
| 6          | W10169276 | Leadwire Assembly |
| 7          | 4359794   | Holder, Wire      |

| Illus. No. | Part No.  | DESCRIPTION      |
|------------|-----------|------------------|
| 8          | W10160548 | H.V. Diode Cable |
| 9          | 8206281   | Power Cord       |
| 10         | W10169277 | Thermostat       |
| 11         | 8171810   | Lamp, Baseless   |
| 12         | W10160553 | Screw            |
| 13         | 8205460   | Magnetron        |
| 14         | 8205509   | Bracket          |
| 15         | 8204900   | Duct, Air        |

| Illus. No. | Part No. | DESCRIPTION      |
|------------|----------|------------------|
| 16         | 8184290  | Bracket, Support |
| 17         | 8183507  | Fuse             |
| 18         | 8206270  | Filter, Noise    |
| 19         | 8204902  | Screw            |
| 20         | 4358381  | Screw            |
| 21         | 4358489  | Screw            |
| 22         | 4358190  | Screw            |

# BASE PLATE PARTS

For Models: KCMS1555SWH0, KCMS1555SBL0, KCMS1555SSS0  
 (White) (Black) (Stainless Steel)



| Illus. No. | Part No.  | DESCRIPTION |
|------------|-----------|-------------|
| 1          | 8205464   | Base Plate  |
| 2          | 8184385   | Leg         |
| 3          | W10169275 | Transformer |
| 4          | 4358192   | Screw       |
| 5          | 4358489   | Screw       |

## ACCESSORY PARTS

- Trim Kits
- MK1154XPQ 24" White
- MK1154XPB 24" Black
- MK1154XPS 24" Stainless
- MK1157XPQ 27" White
- MK1157XPB 27" Black
- MK1157XPS 27" Stainless
- MK1150XPQ 30" White
- MK1150XPB 30" Black
- MK1150XPS 30" Stainless
- 8172131 Hardware Pack  
(Incl in Trim Kit)