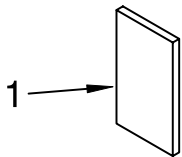
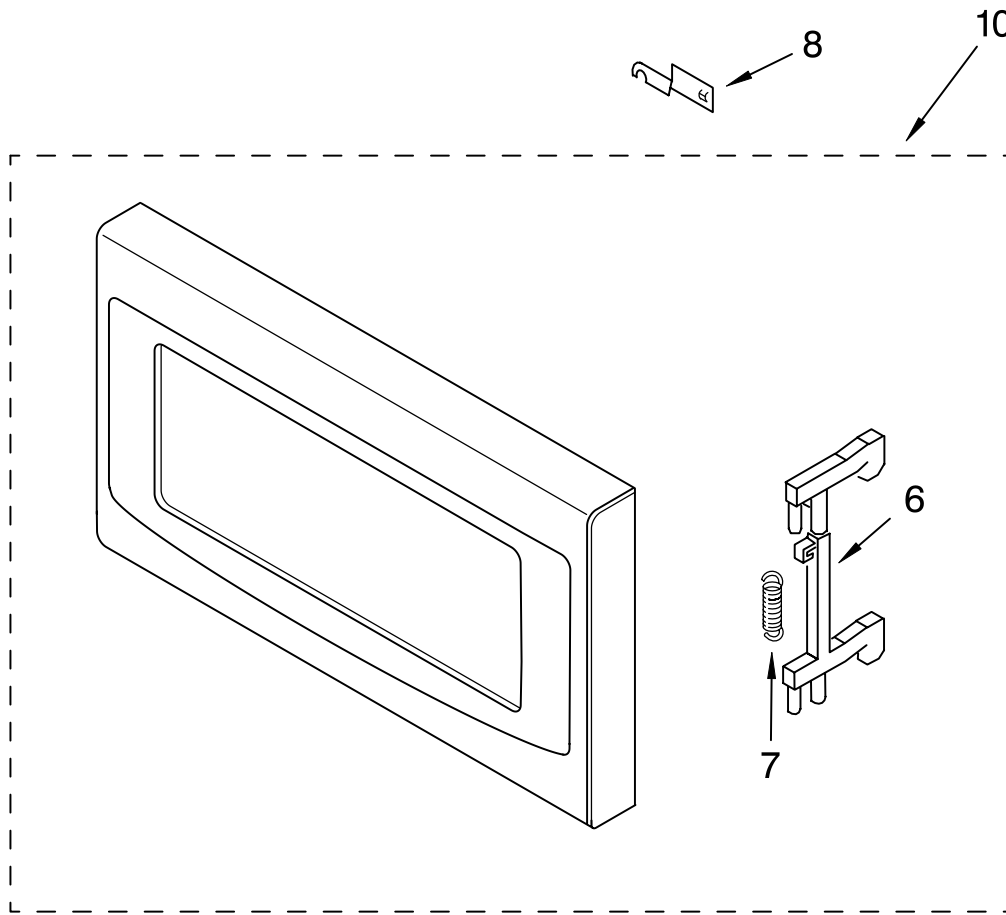


For Models: KCMS1555RWH1, KCMS1555RBL1, KCMS1555RSS1
(White) (Black) (Stainless Steel)



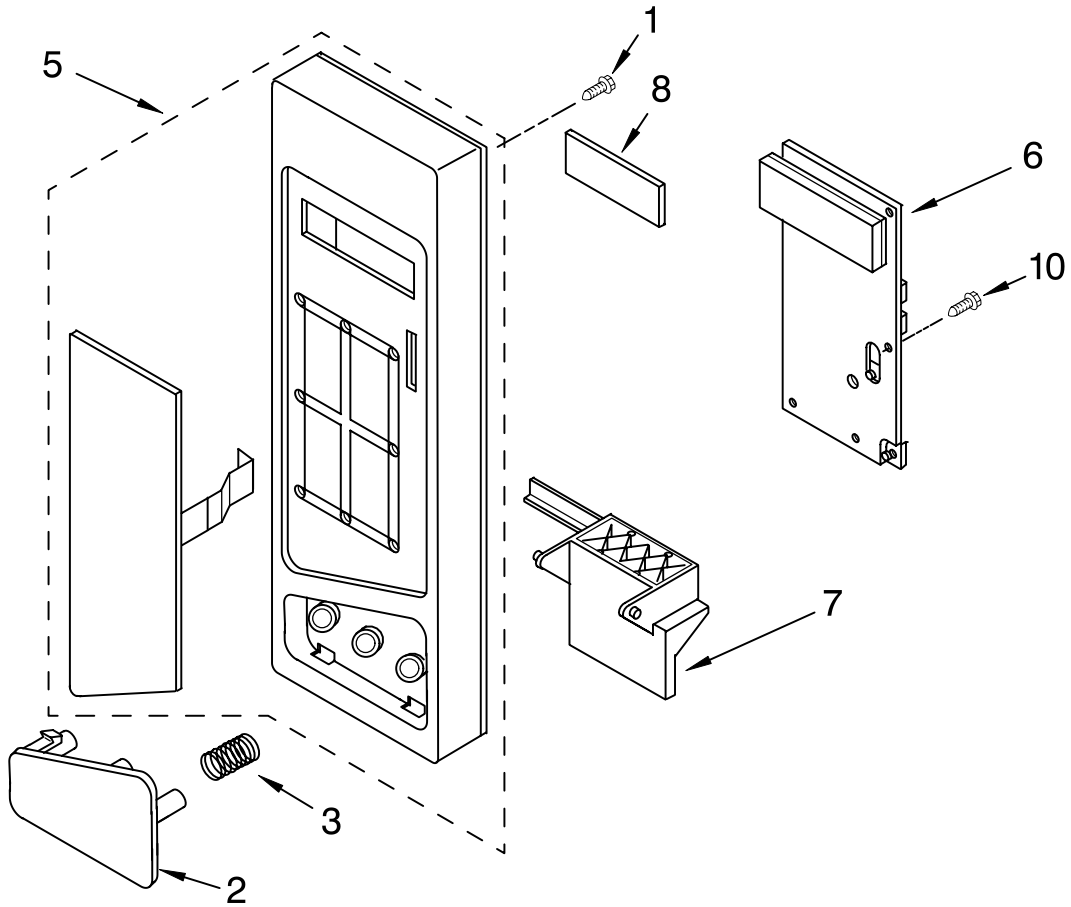
Literature Parts

Illus. No.	Part No.	DESCRIPTION
1		Literature
	8205541	Use & Care Guide
	8205550	Cook Guide Label
	8205542	Tech Sheet
	8205554	Instructions, Installation (For Trim Kit)
6	8184263	Latch
7	8171918	Spring, Latch
8	8184265	Cap
10		Door Assembly
	8205804	White
	8205797	Black
	8205815	Stainless

FOR ORDERING INFORMATION REFER TO PARTS PRICE LIST

CONTROL PANEL PARTS

For Models: KCMS1555RWH1, KCMS1555RBL1, KCMS1555RSS1
 (White) (Black) (Stainless Steel)

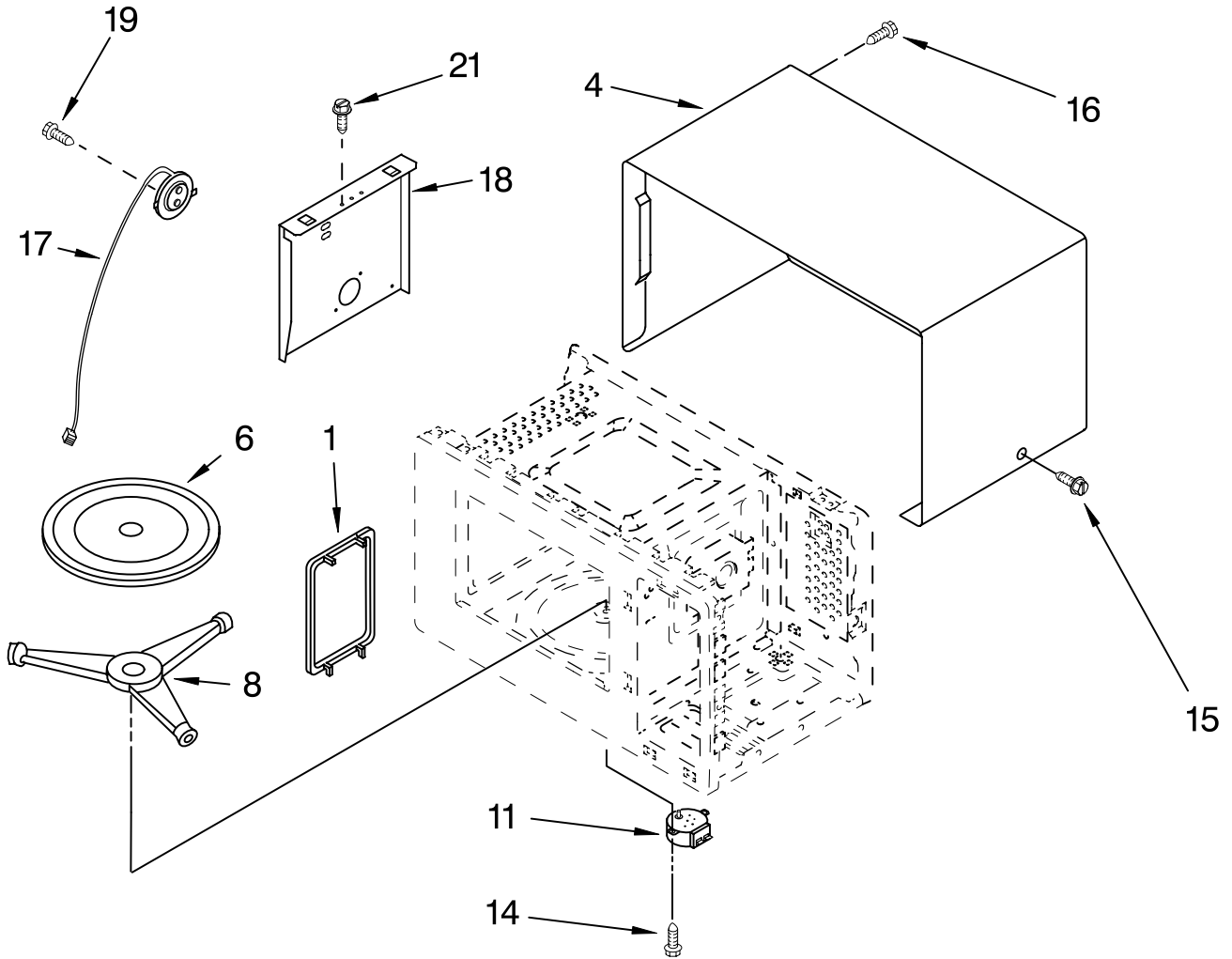


Illus. No.	Part No.	DESCRIPTION
1	4358381	Screw
2	8205806	Release Button
	8205799	White
	8205817	Black
	8205817	Stainless
3	8184272	Spring, Button
5	4359851	Control Panel
6	8205800	P.C.B Sub Assembly
7	8205805	Lever, Release
	8205805	White
	8205798	Black
	8205816	Stainless
8	8204891	Lens
10	4358883	Screw

FOR ORDERING INFORMATION REFER TO PARTS PRICE LIST

OVEN CAVITY PARTS

For Models: KCMS1555RWH1, KCMS1555RBL1, KCMS1555RSS1
(White) (Black) (Stainless Steel)

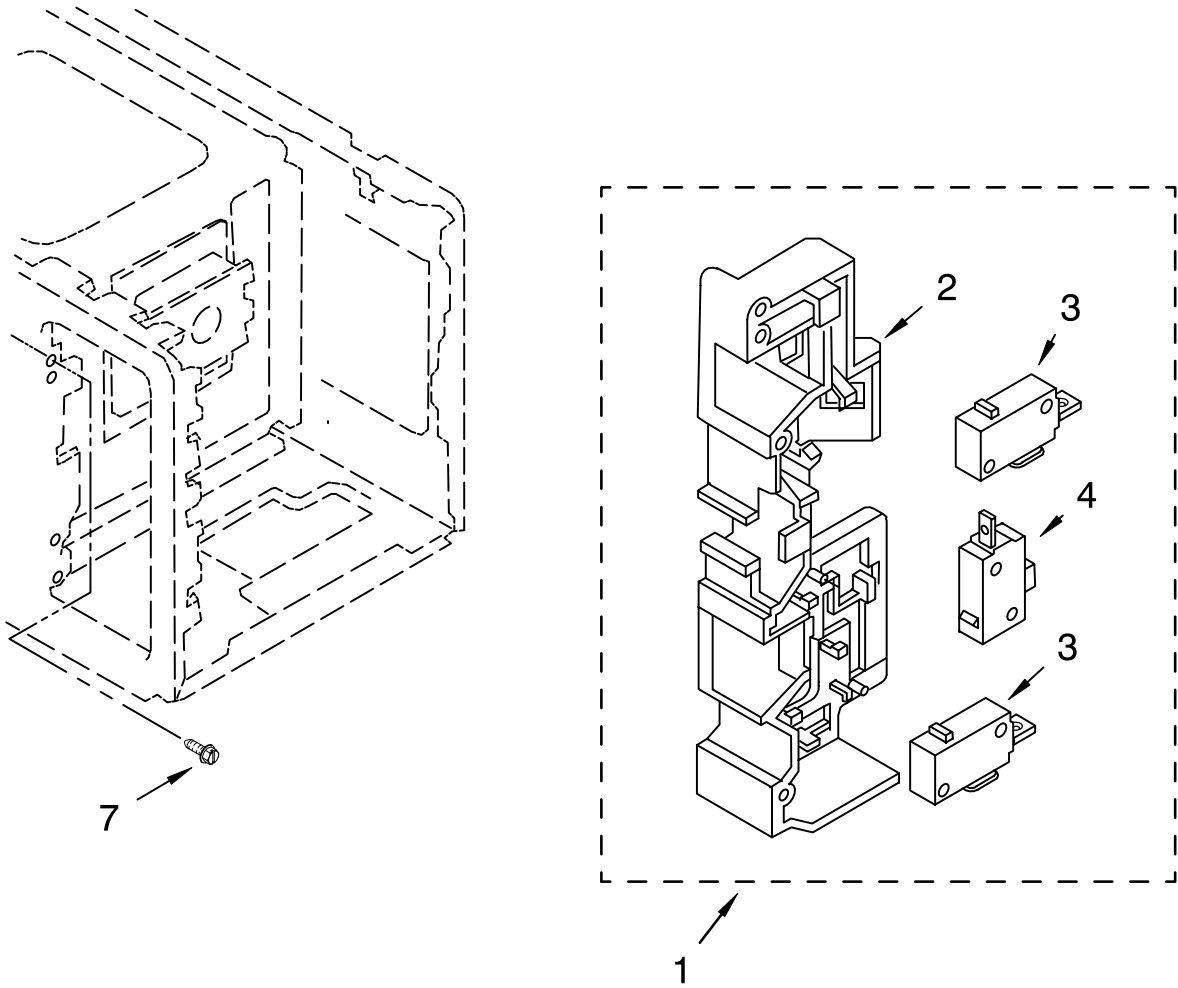


Illus. No.	Part No.	DESCRIPTION
1	8184278	Canopy
4	8184278	Outer Case
	8205453	White
	8205801	Black
	8205818	Stainless
6	4359780	Tray, Glass
8	8205148	Turntable Support
11	8184375	Motor, Synchronous
14	4358188	Screw
15		Screw
	4358362	White & SS Models
	4358829	Black Model
16	8171862	Screw
17	8183514	Sensor, Humidity
18	8205457	Guide, Sensor
19	4358376	Screw
21	4358192	Screw

FOR ORDERING INFORMATION REFER TO PARTS PRICE LIST

LATCH BOARD PARTS

For Models: KCMS1555RWH1, KCMS1555RBL1, KCMS1555RSS1
 (White) (Black) (Stainless Steel)

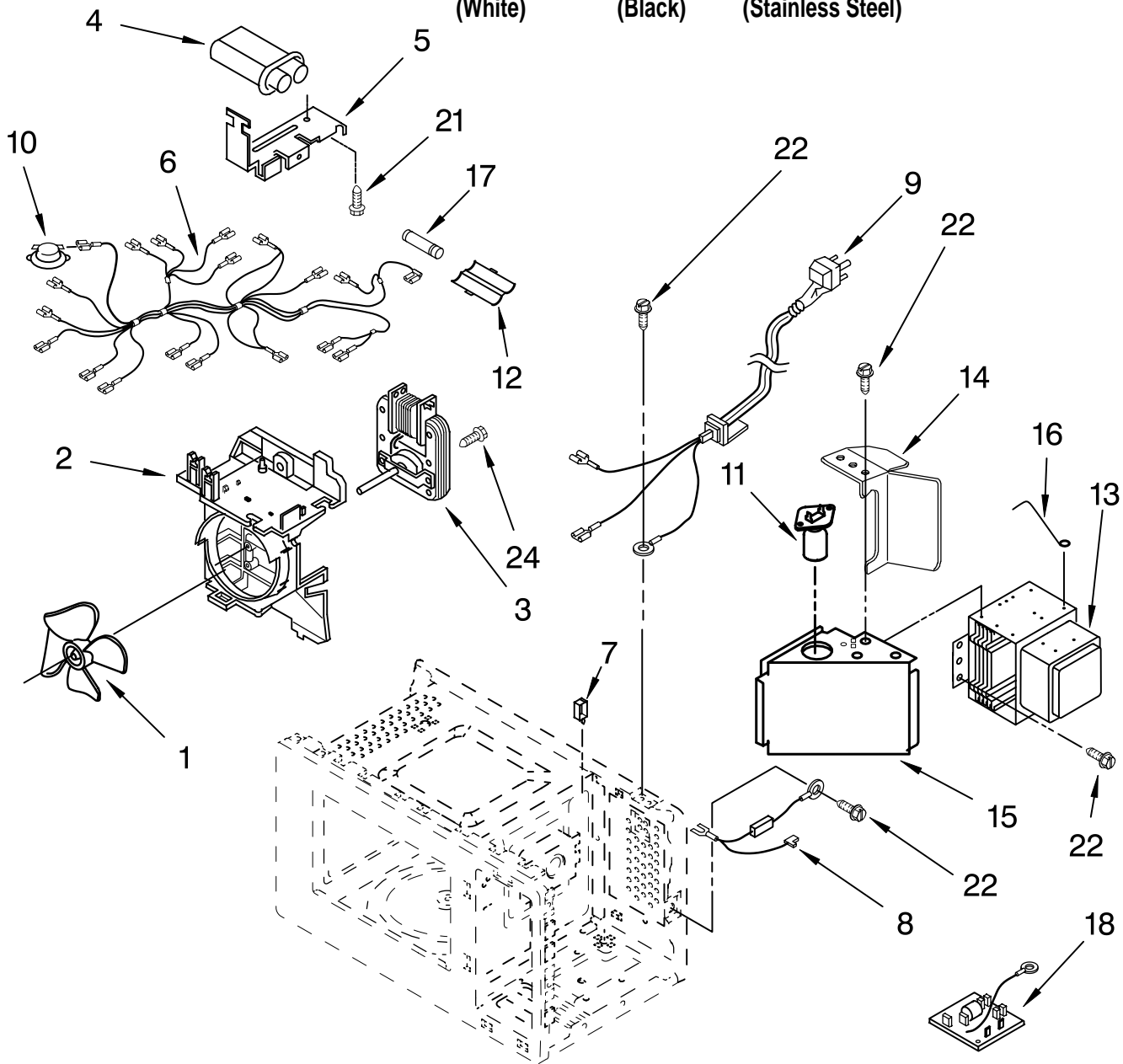


Illus. No.	Part No.	DESCRIPTION
1		Latch Board Assembly (Non-Serviceable)
2	8185271	Latch Board
3	8183561	Switch Micro Primary/Secondary
4	8183562	Switch, Micro Monitor
7	4358271	Screw

FOR ORDERING INFORMATION REFER TO PARTS PRICE LIST

OVEN INTERIOR PARTS

For Models: KCMS1555RWH1, KCMS1555RBL1, KCMS1555RSS1
(White) (Black) (Stainless Steel)



Illus. No.	Part No.	DESCRIPTION
1	8205458	Blade, Fan
2	8205456	Guide, Suction
3	8205462	Motor, Fan
4	8185272	H.V. Capacitor
5	8184288	H.V.C Bracket
6	8206283	Leadwire Assembly
7	4359794	Holder, Wire
8	8205489	H.V. Diode Cable

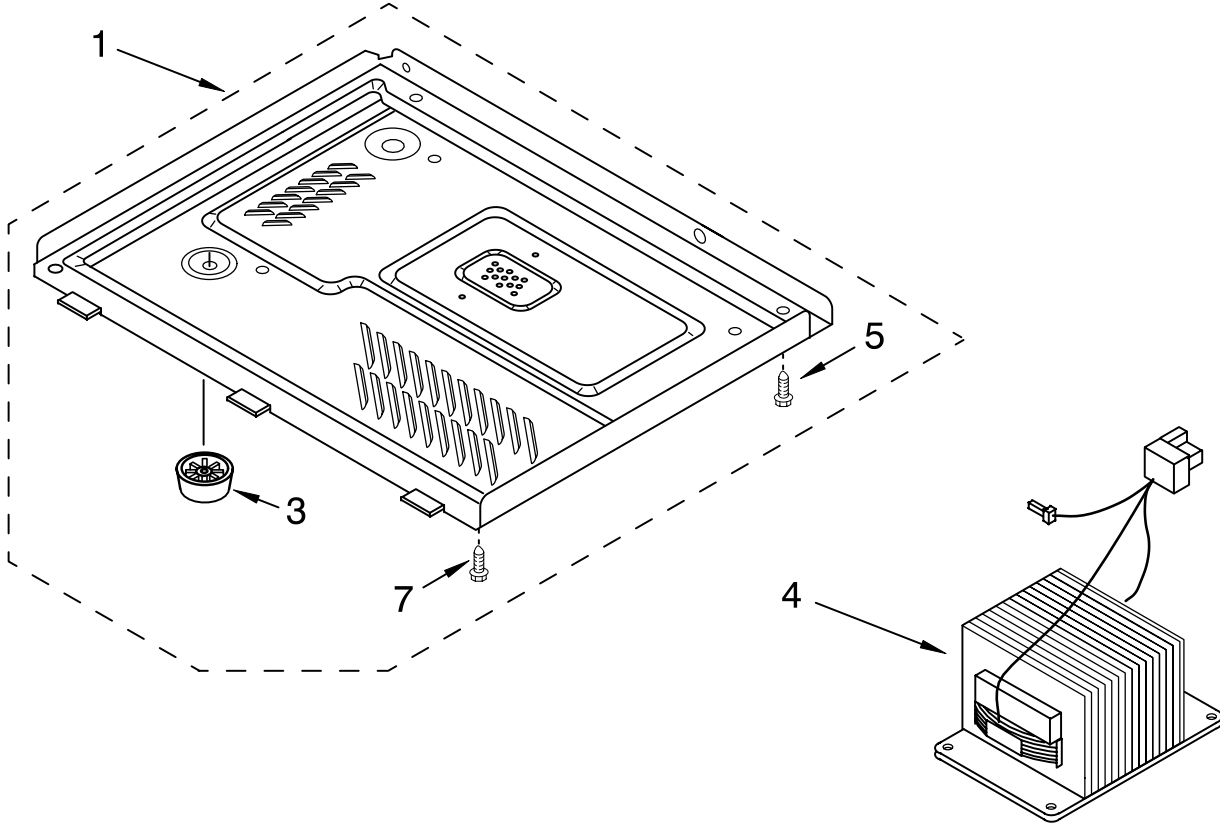
Illus. No.	Part No.	DESCRIPTION
9	8206281	Power Cord
10	4359164	Thermostat
11	8171810	Lamp, Baseless
12	8205483	Cap, Fuse
13	8205460	Magnetron
14	8205509	Bracket

Illus. No.	Part No.	DESCRIPTION
15	8204900	Duct, Air
16	8184290	Bracket, Support
17	8183507	Fuse
18	8206270	Filter, Noise
21	4358381	Screw
22	4358489	Screw
24	4358190	Screw

FOR ORDERING INFORMATION REFER TO PARTS PRICE LIST

BASE PLATE PARTS

For Models: KCMS1555RWH1, KCMS1555RBL1, KCMS1555RSS1
 (White) (Black) (Stainless Steel)



Illus. No.	Part No.	DESCRIPTION
1	8205464	Base Plate
3	8184385	Leg
4	8205459	Transformer
5	4358192	Screw
7	4358489	Screw

ACCESSORY PARTS

Trim Kits	
MK1154XPQ	24" White
MK1154XPB	24" Black
MK1154XPS	24" Stainless
MK1157XPQ	27" White
MK1157XPB	27" Black
MK1157XPS	27" Stainless
MK1150XPQ	30" White
MK1150XPB	30" Black
MK1150XPS	30" Stainless
8172131	Hardware Pack (Incl in Trim Kit)

FOR ORDERING INFORMATION REFER TO PARTS PRICE LIST