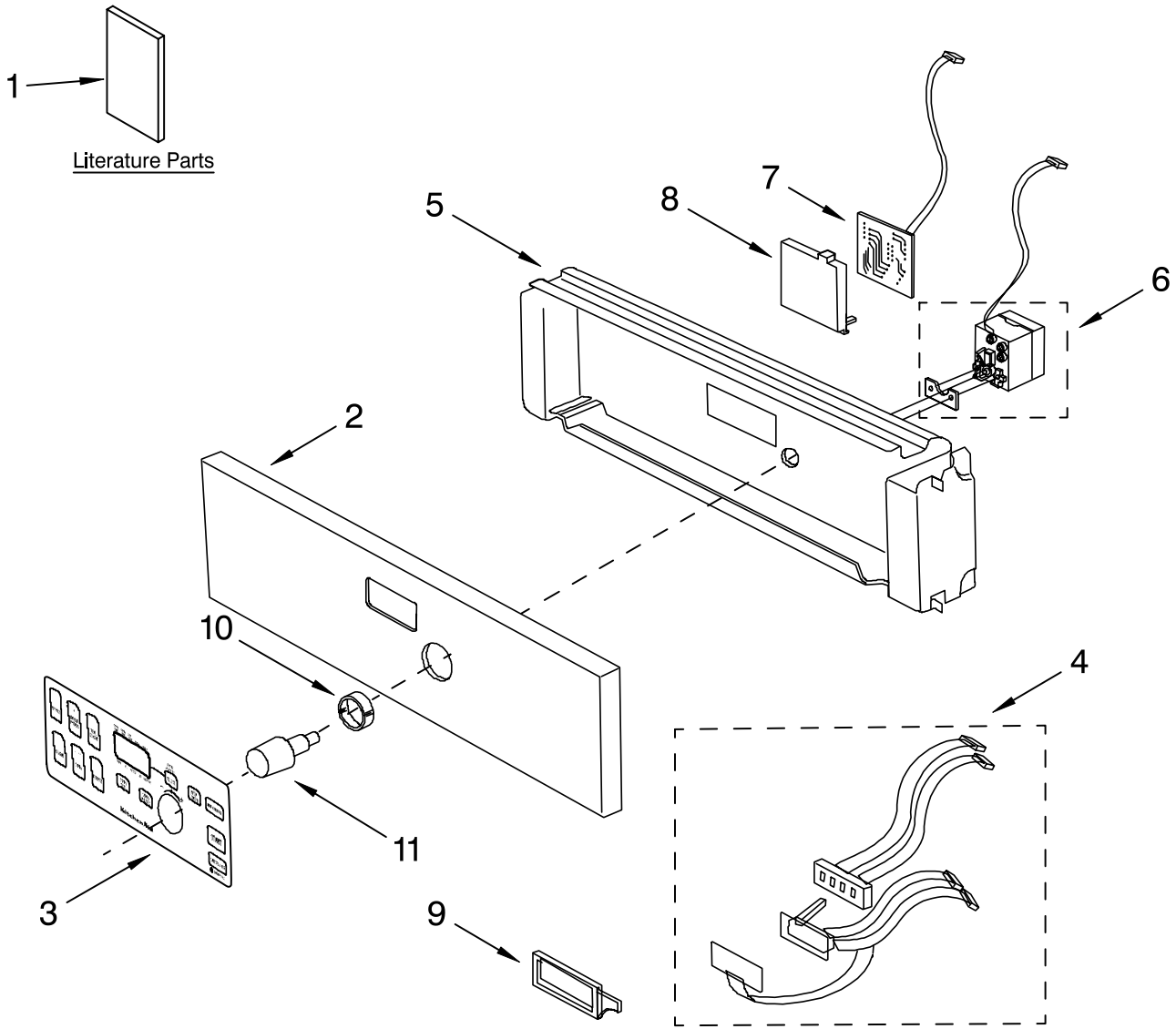


KitchenAid® CONTROL PARTS

BUILT-IN MICROWAVE

For Models: KBMS1454RBL0, KBMS1454RWH0, KBMS1454RBT0, KBMS1454RSS0
 (BLACK) (WHITE) (BISCUIT) (STAINLESS)



Illus. No.	Part No.	DESCRIPTION
1	8205303	Literature Parts
		Installation Instructions
	8205301	Use & Care Guide
	8205305	Cook Guide Label
2	8205302	Guide-Quick Reference
	8205304	Tech Sheet
		Panel, Control
	8205725	Black
	8205723	White
	8205726	Biscuit
	8205724	Stainless

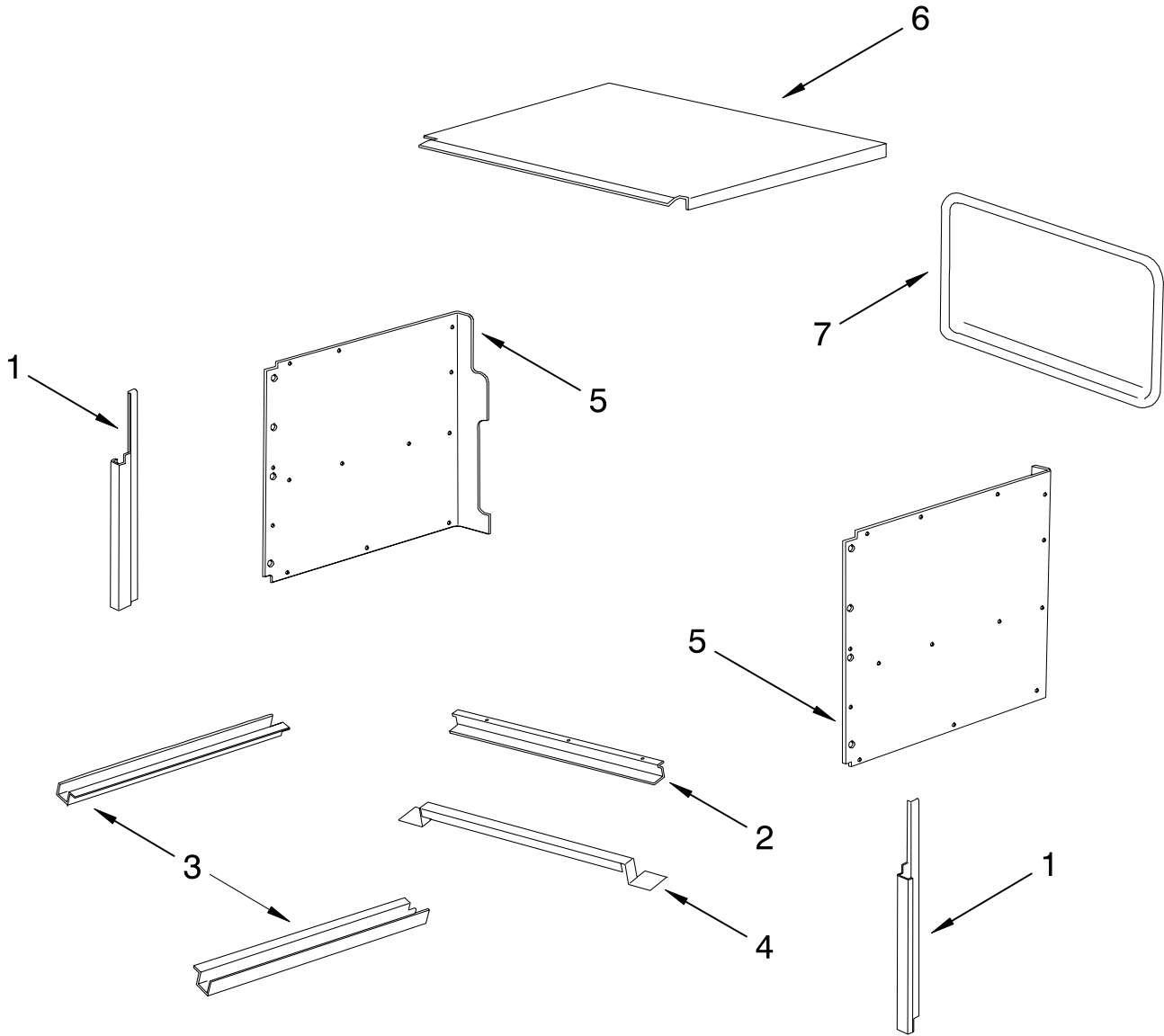
Illus. No.	Part No.	DESCRIPTION
3		Switch, Membrane
	8205667	Black
	8205666	White
4	8205668	Biscuit
	8205663	Board, Display
5	8205722	Support, Control Panel
6	8205662	Board, Selector
7	8205665	Board, Interface
8	8205739	Holder, Control Board
9	8205657	Holder, Display Board

Illus. No.	Part No.	DESCRIPTION
10		Ring, Knob
	8205727	Black
	8205728	White
11	8205729	Biscuit
		Knob
	8205730	Black
	8205731	White
	8205732	Biscuit

FOR ORDERING INFORMATION REFER TO PARTS PRICE LIST

CABINET PARTS

For Models: KBMS1454RBL0, KBMS1454RWH0, KBMS1454RBT0, KBMS1454RSS0
 (BLACK) (WHITE) (BISCUIT) (STAINLESS)



Illus. No.	Part No.	DESCRIPTION
1		Trim, Side
	8205715	RH Black
	8205718	RH White
	8205717	RH Biscuit
	8205716	RH Stainless
	8205712	LH Black
	8205711	LH White
	8205714	LH Biscuit
	8205713	LH Stainless

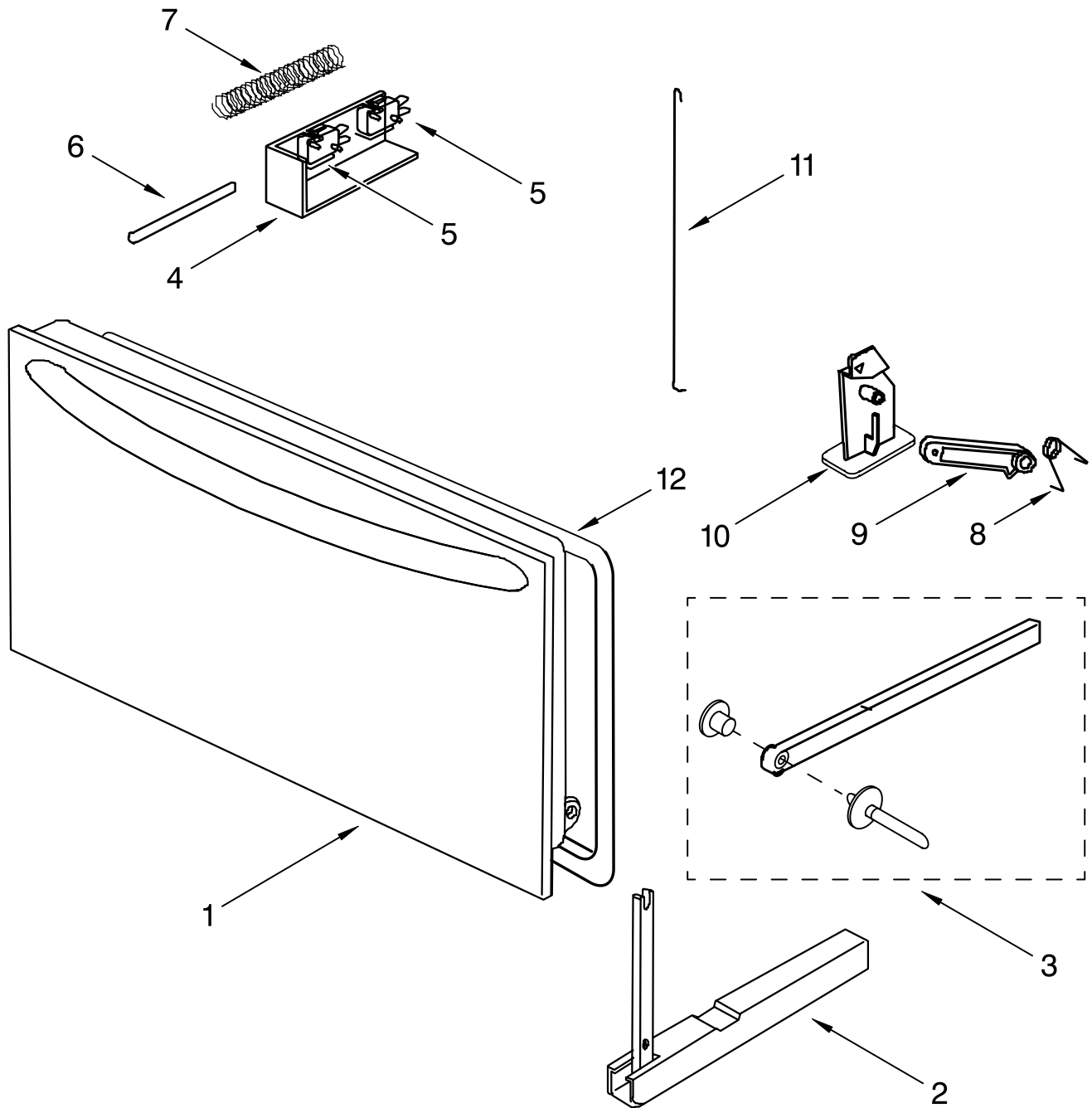
Illus. No.	Part No.	DESCRIPTION
2	8205720	Trim, Bottom
3	8205707	Support, Bottom
4	8205708	Bracket, Bottom

Illus. No.	Part No.	DESCRIPTION
5		Chassis, Side
	8205674	Left
	8205680	Right
6	8205709	Top Plate
7	8205710	Back, Cover

FOR ORDERING INFORMATION REFER TO PARTS PRICE LIST

DOOR PARTS

For Models: KBMS1454RBL0, KBMS1454RWH0, KBMS1454RBT0, KBMS1454RSS0
 (BLACK) (WHITE) (BISCUIT) (STAINLESS)

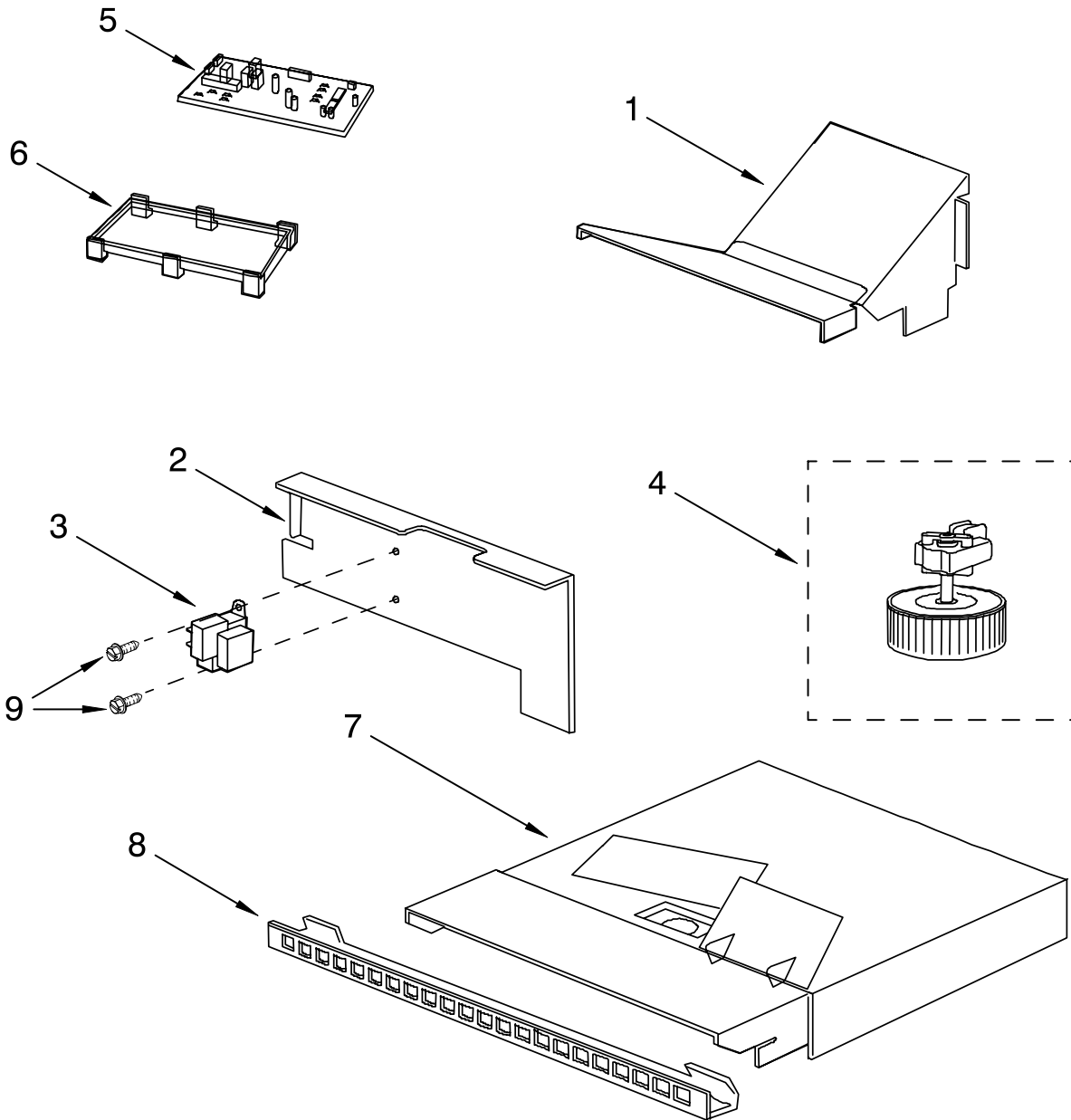


Illus. No.	Part No.	DESCRIPTION	Illus. No.	Part No.	DESCRIPTION	Illus. No.	Part No.	DESCRIPTION
1		Door Assembly	2	8205733	Hinge Assembly (2)	7	8205685	Spring Cam
	8205737	Black	3	8205687	Sliding Arm Assy	8	8205689	Spring
	8205736	White	4	8205683	Switch Holder (2)	9	8205688	Lift Arm
	8205738	Biscuit	5	4375346	Switch (3)	10	8205686	Support
	8205735	Stainless	6	8205684	Push-Rod (2)	11	8205704	Spring, Torsion
						12	8205789	Gasket

FOR ORDERING INFORMATION REFER TO PARTS PRICE LIST

TOP VENTING PARTS

For Models: KBMS1454RBL0, KBMS1454RWH0, KBMS1454RBT0, KBMS1454RSS0
 (BLACK) (WHITE) (BISCUIT) (STAINLESS)

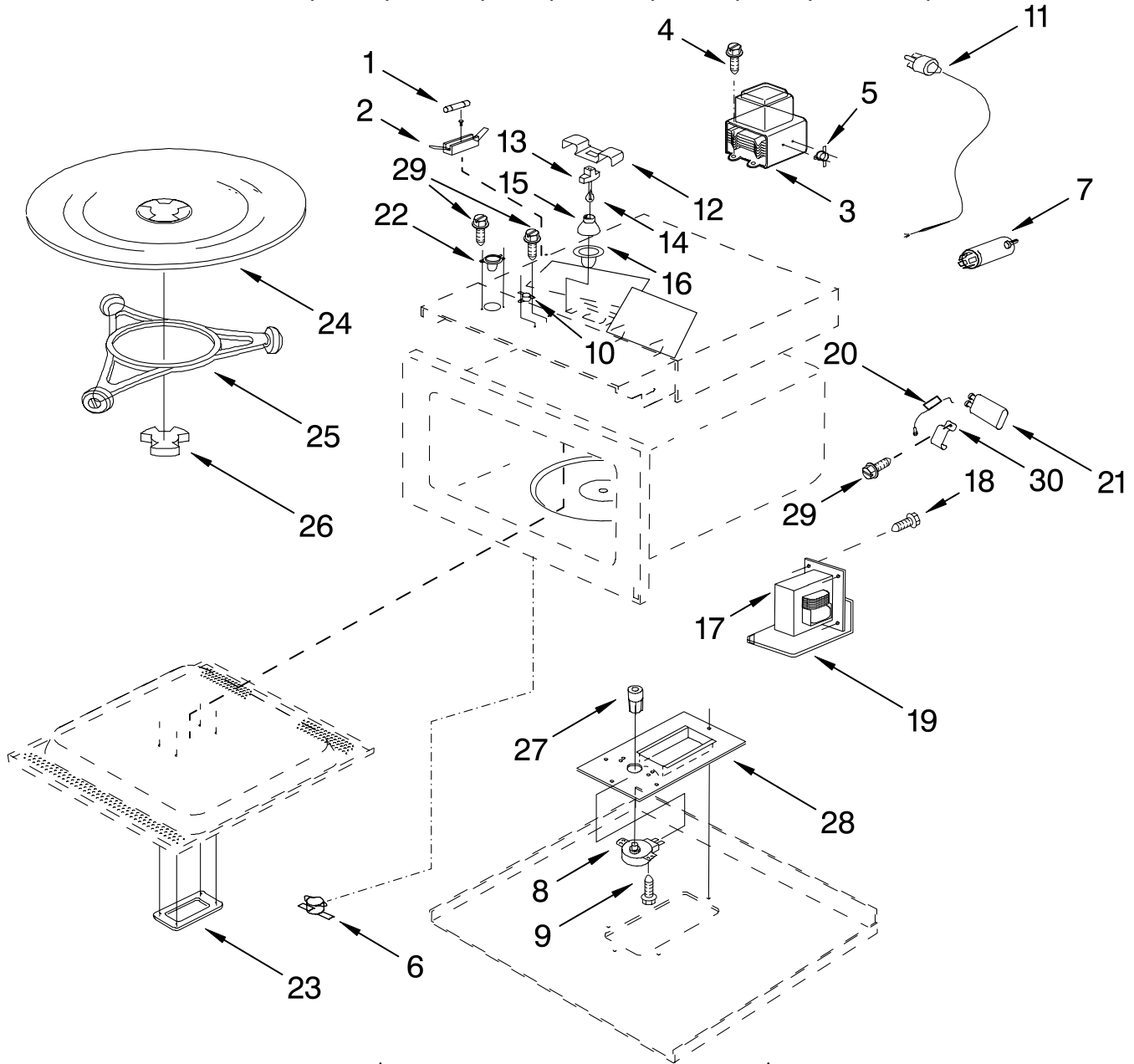


Illus. No.	Part No.	DESCRIPTION
1	8205706	Air Duct
2	8205740	Air Guide
3	8205692	Transformer, Lamp
4	8205721	Motor, Fan Assy
5	8205664	Control, Electronic
6	8205669	Holder, Control
7	8205705	Top Chassis
8	8205719	Vent, Control Panel
9	4357202	Screw

FOR ORDERING INFORMATION REFER TO PARTS PRICE LIST

OVEN INTERIOR PARTS

For Models: KBMS1454RBL0, KBMS1454RWH0, KBMS1454RBT0, KBMS1454RSS0
(BLACK) (WHITE) (BISCUIT) (STAINLESS)



Illus. No.	Part No.	DESCRIPTION
------------	----------	-------------

- | | | |
|---|---------|-----------------|
| 1 | 4375321 | Fuse |
| 2 | 8205670 | Fuse Holder |
| 3 | 8205650 | Magnetron |
| 4 | 8205651 | Screw |
| 5 | 8205652 | Thermostat |
| 6 | 8205654 | Thermostat |
| 7 | 8205653 | Mains Filter |
| 8 | 8205655 | Turntable Motor |
| 9 | 8205656 | Screw |

Illus. No.	Part No.	DESCRIPTION
------------	----------	-------------

- | | | |
|----|---------|---------------------|
| 10 | 8205659 | Thermostat, Cavity |
| 11 | 8205660 | Power cord |
| 12 | 8205679 | Spring, Lamp Holder |
| 13 | 8205658 | Socket, Lamp |
| 14 | 4375348 | Lamp |
| 15 | 4375320 | Reflector |
| 16 | 4375318 | Lens, Lamp |
| 17 | 8205671 | Transformer |
| 18 | 8205672 | Screw |

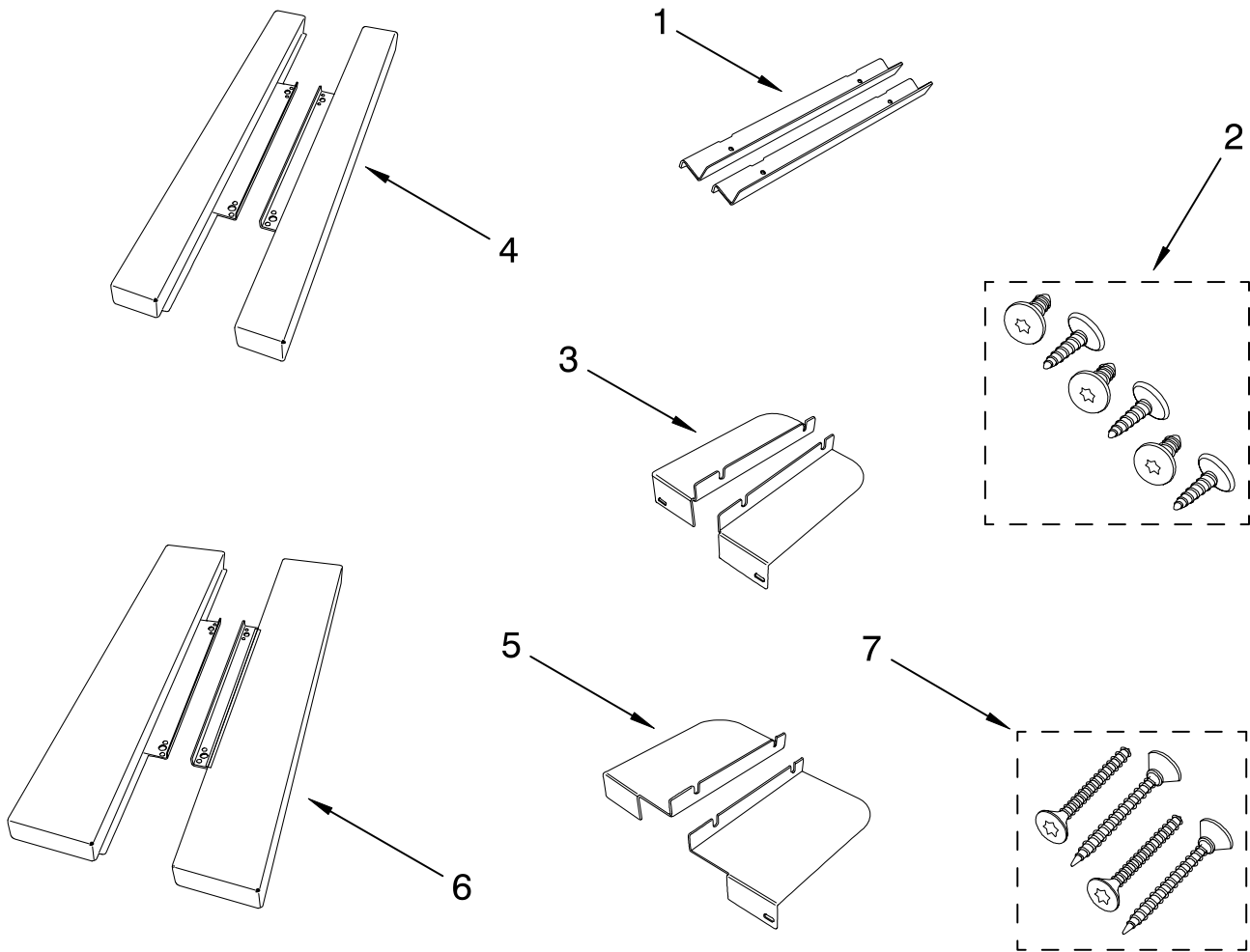
Illus. No.	Part No.	DESCRIPTION
------------	----------	-------------

- | | | |
|----|---------|-------------------|
| 19 | 8205673 | Reducer, Humidity |
| 20 | 4375349 | H.V. Diode |
| 21 | 8205661 | H.V. Capacitor |
| 22 | 8205690 | Sensor, Humidity |
| 23 | 8205675 | Cover, Inlet |
| 24 | 8205676 | Turntable, Glass |
| 25 | 8205678 | Ring, Turntable |
| 26 | 8205677 | Driver, Turntable |
| 27 | 8205682 | Shaft, Turntable |
| 28 | 8205681 | Holder, Motor |
| 29 | 4375202 | Screw |
| 30 | 8205788 | Holder, Capacitor |

FOR ORDERING INFORMATION REFER TO PARTS PRICE LIST

INSTALLATION PARTS

For Models: KBMS1454RBL0, KBMS1454RWH0, KBMS1454RBT0, KBMS1454RSS0
 (BLACK) (WHITE) (BISCUIT) (STAINLESS)



Illus. No.	Part No.	DESCRIPTION
1	8205754	Z-Bracket
2	8205755	6 pk. screws
3		Narrow Bracket
	8205756	27" Left
	8205757	27" Right
4		Narrow Trim
	8205758	27" White
	8205759	27" Black
	8205760	27" Biscuit
	8205761	27" Stainless

Illus. No.	Part No.	DESCRIPTION
5		Wide Bracket
	8205762	30" Left
	8205763	30" Right
6		Wide Trim
	8205764	30" White
	8205765	30" Black
	8205766	30" Biscuit
	8205767	30" Stainless
7		4 pk. screws
	8205768	White
	8205769	Black
	8205770	Biscuit
	8205771	Stainless

Illus. No.	Part No.	DESCRIPTION
Miscellaneous		
	8205734	Mounting Kit
WIRING HARNESS PARTS		
	8205748	Harness, Main
	8205749	Harness, Sensor
	8205750	Harness, Lamp
	8205751	Harness, Fan & Turntable Motor
	8205752	Cable, UI Board Selector Board
	8205753	Cable, UI Board To Elec. Control

FOR ORDERING INFORMATION REFER TO PARTS PRICE LIST