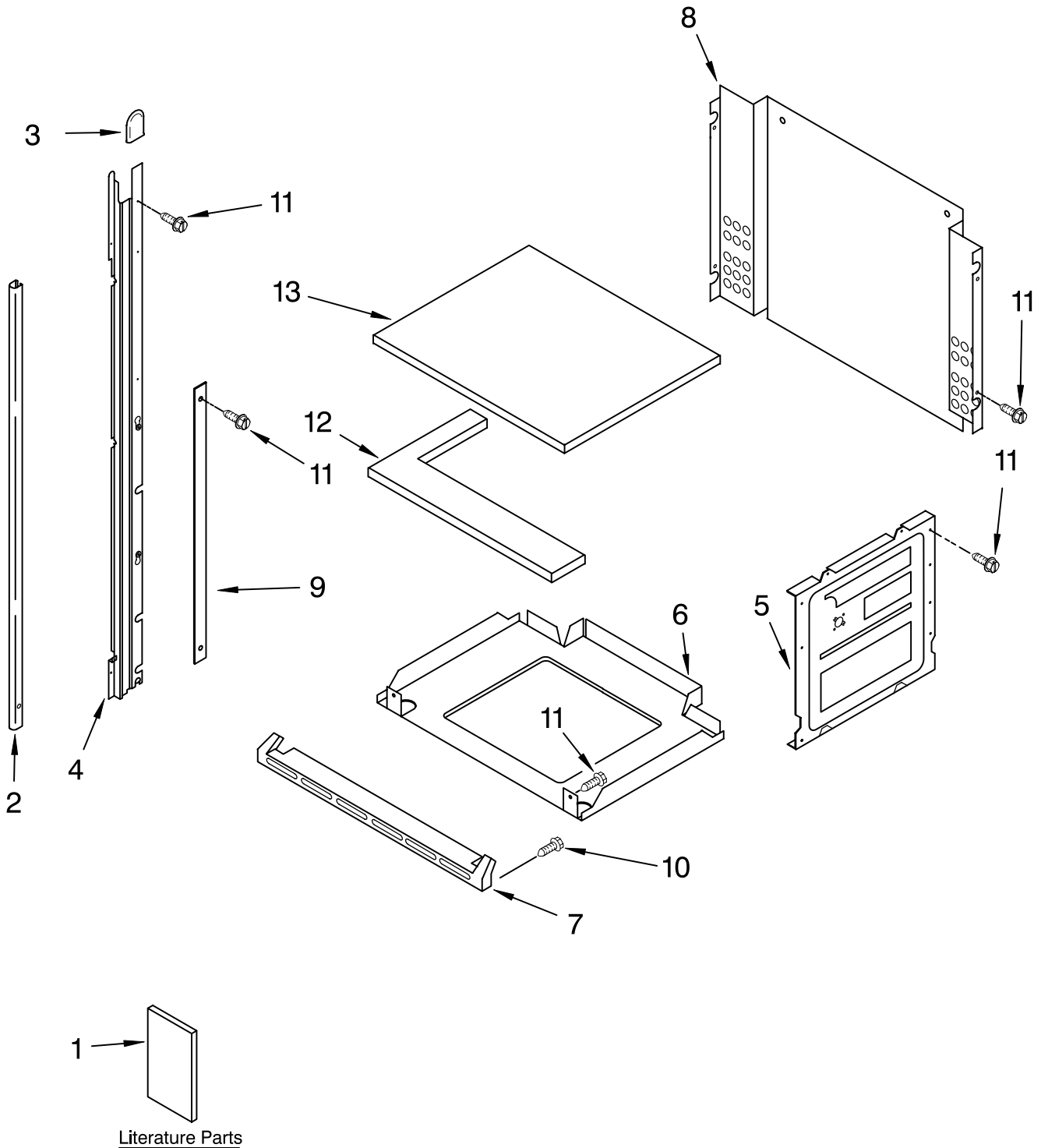


For Models: KBMC147HBL05, KBMC147HWH05, KBMC147HBT05, KBMC147HSS05
(BLACK) (WHITE) (BISCUIT) (STAINLESS)



FOR ORDERING INFORMATION REFER TO PARTS PRICE LIST

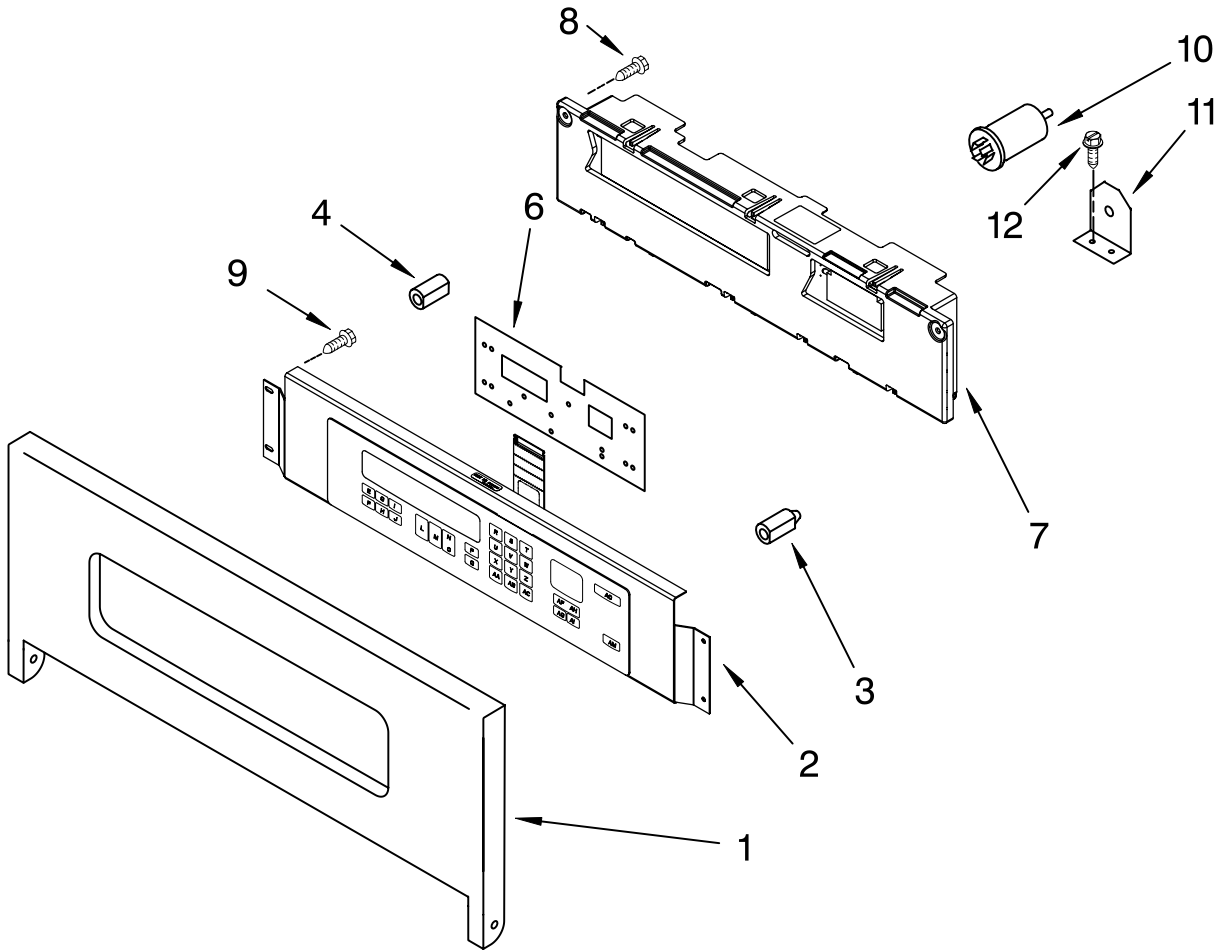
OVEN PARTS

For Models: KBMC147HBL05, KBMC147HWH05, KBMC147HBT05, KBMC147HSS05
 (BLACK) (WHITE) (BISCUIT) (STAINLESS)

| Illus. No. | Part No. | DESCRIPTION |
|------------|----------|-----------------------------|
| 1 | | Literature Parts |
| | 4452615 | Installation Instructions |
| | 8304067 | Use & Care Guide |
| | 4450786 | Cook Guide Label |
| | 4451052 | Guide–Easy Use M/W |
| | 8303854 | Tech Sheet |
| | 4449264 | Easy Set Guide |
| | 3191638 | Safer Cooking Tips |
| | 9759133 | Safer Cooking Tips |
| 2 | | Trim, Side |
| | 4452624 | RH Black |
| | 4452626 | RH White |
| | 4452971 | RH Biscuit |
| | 4452556 | RH Stainless |
| | 4452625 | LH Black |
| | 4452627 | LH White |
| | 4452972 | LH Biscuit |
| | 4452557 | LH Stainless |
| 3 | 4451605 | Cap, Spacer |
| 4 | | Rail, Side |
| | 4456545 | Right Side |
| | 4456546 | Left Side |
| 5 | 4452559 | Side, Chassis (R.H. & L.H.) |
| | 4455475 | Screw |
| 6 | 4456400 | Base, Chassis |
| 7 | | Trim, Bottom |
| | 4456539 | Black |
| | 4456541 | White |
| | 4456543 | Biscuit |
| | 4456537 | Stainless |
| 8 | 4452553 | Chassis, Back |
| 9 | 4455471 | Spacer |
| 10 | 3400832 | Screw |
| 11 | 4449809 | Screw |
| 12 | 4452492 | Insulation–Grill |
| 13 | 4452491 | Insulation–Top |

CONTROL PANEL PARTS

For Models: KBMC147HBL05, KBMC147HWH05, KBMC147HBT05, KBMC147HSS05
(BLACK) (WHITE) (BISCUIT) (STAINLESS)

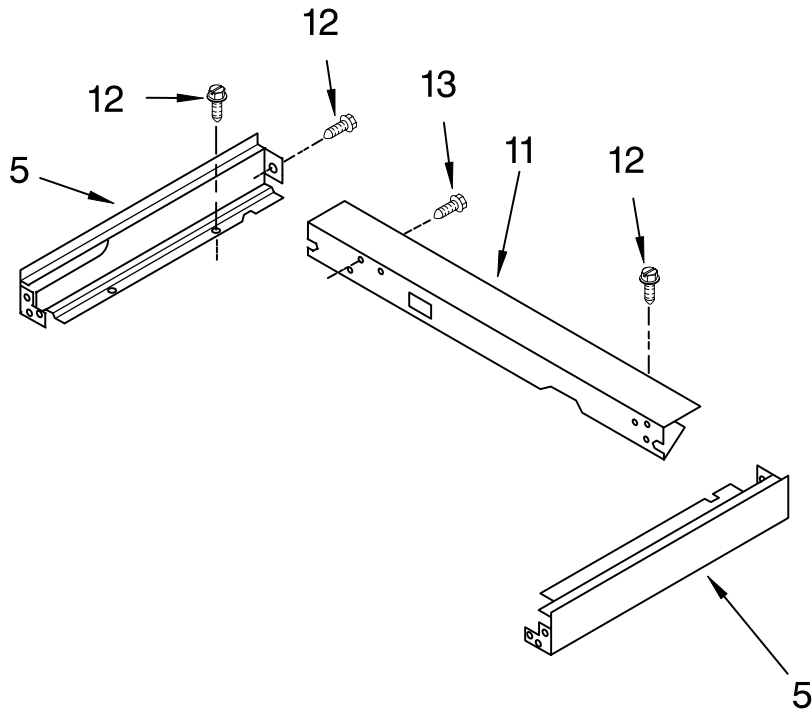


| Illus. No. | Part No. | DESCRIPTION |
|------------|----------|--------------------------|
| 1 | | Panel, Control |
| | 4452602 | Black |
| | 4452603 | White |
| | 4452973 | Biscuit |
| | 4451790 | Stainless |
| 2 | | Switch, Membrane |
| | 4456878 | Black |
| | 4456879 | White |
| | 4456882 | Biscuit |
| | 4456876 | Stainless |
| 3 | 4452248 | Insulator, Board |
| 4 | 4452249 | Insulator, Board Support |
| 6 | 4452345 | Insulator, Dielectric |
| 7 | 8302345 | Assy, Control |
| 8 | 3400406 | Screw |
| 9 | 3400832 | Screw |
| 10 | 4451592 | Filter |
| 11 | 4451632 | Bracket, Filter |
| 12 | 4449809 | Screw |

FOR ORDERING INFORMATION REFER TO PARTS PRICE LIST

MICROWAVE COMPARTMENT PARTS

For Models: KBMC147HBL05, KBMC147HWH05, KBMC147HBT05, KBMC147HSS05
(BLACK) (WHITE) (BISCUIT) (STAINLESS)

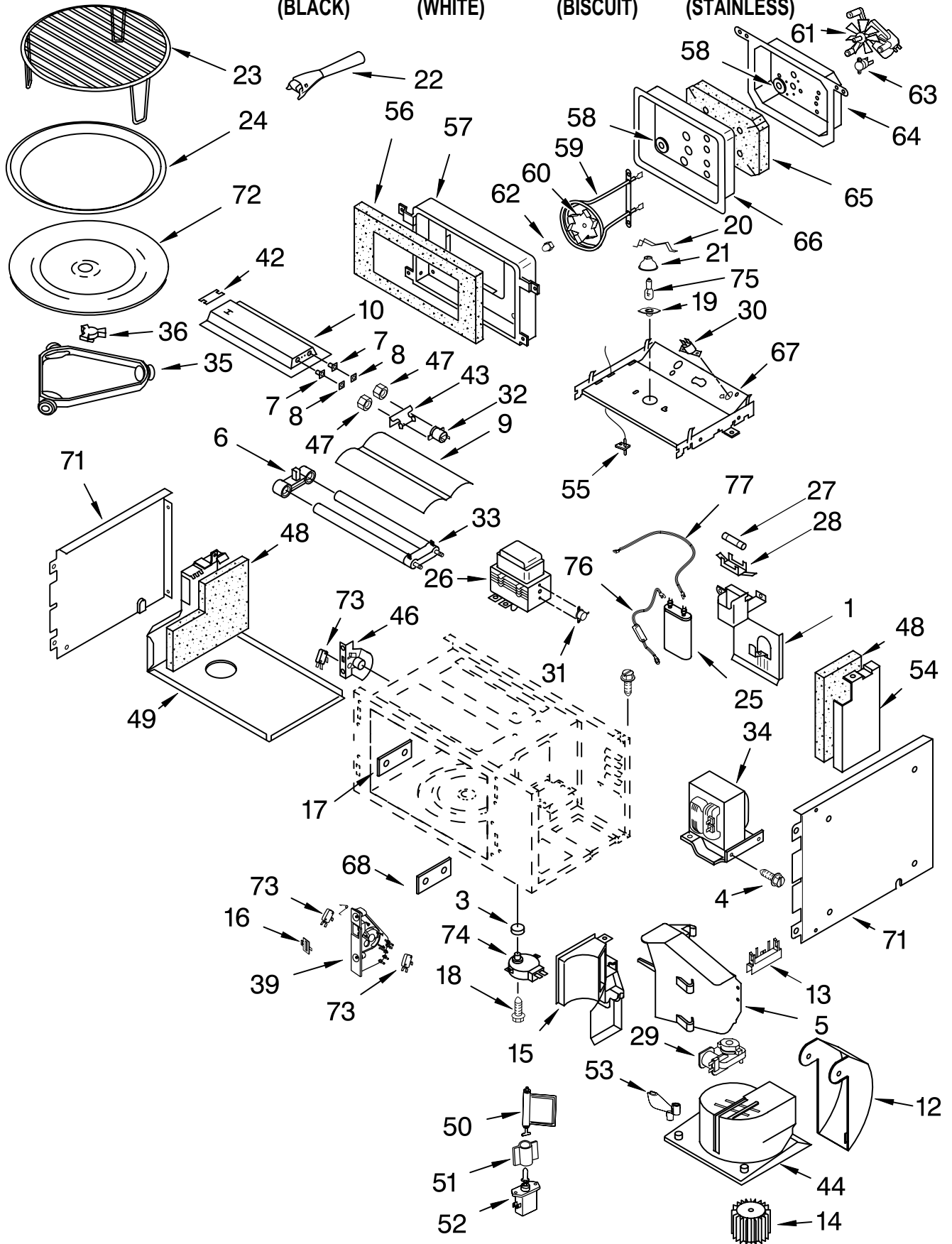


| Illus. No. | Part No. | DESCRIPTION |
|------------|----------|---------------|
| 5 | 4456399 | Support Rails |
| 11 | 4452547 | Rear Channel |
| 12 | 4449809 | Screw |
| 13 | 4449154 | Screw |

FOR ORDERING INFORMATION REFER TO PARTS PRICE LIST

CABINET AND STIRRER PARTS

For Models: KBMC147HBL05, KBMC147HWH05, KBMC147HBT05, KBMC147HSS05
 (BLACK) (WHITE) (BISCUIT) (STAINLESS)



FOR ORDERING INFORMATION REFER TO PARTS PRICE LIST

CABINET AND STIRRER PARTS

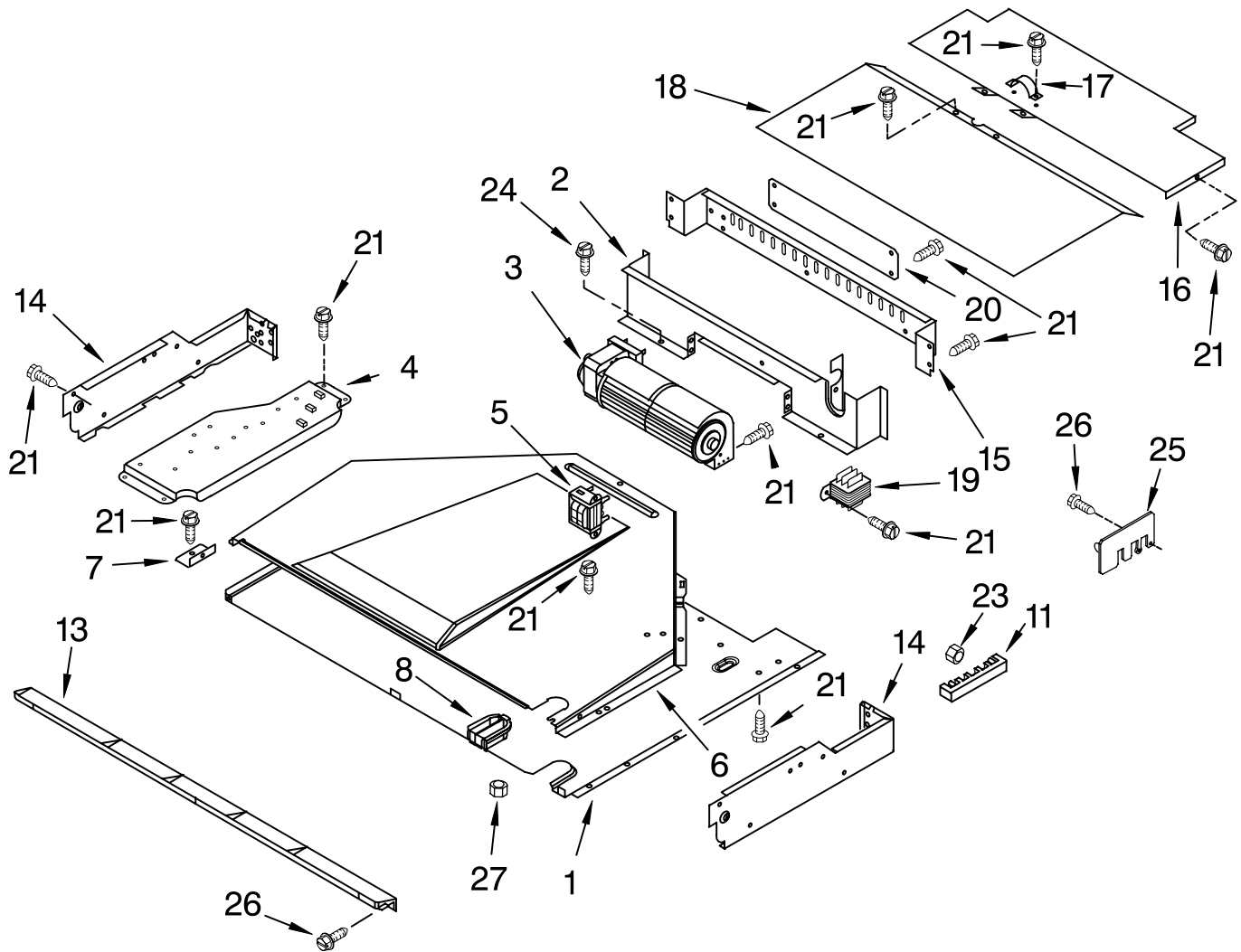
For Models: KBMC147HBL05, KBMC147HWH05, KBMC147HBT05, KBMC147HSS05
 (BLACK) (WHITE) (BISCUIT) (STAINLESS)

| Illus. No. | Part No. | DESCRIPTION | Illus. No. | Part No. | DESCRIPTION | Illus. No. | Part No. | DESCRIPTION |
|------------|----------|---------------------|------------|----------|------------------|------------|----------|-------------------|
| 1 | 4375437 | Bracket, Capacitor | 28 | 4375231 | Block, Fuse | 53 | 4375426 | Air Bleed |
| 3 | 4375252 | Rubber Ring | 29 | 4375278 | Motor, Blower | 54 | 4375439 | Shield, Heat |
| 4 | 4375038 | Screw | 30 | 4375279 | Thermostat | | | Right |
| 5 | 4375314 | Air Duct, Magnetron | 31 | 4375423 | Thermostat | 55 | 4375422 | Sensor, Temp. |
| 6 | 4375253 | Support, Tube | 32 | 4375281 | Thermostat | 56 | 4375420 | Insulation |
| 7 | 4375421 | Plug, Ceramic | 33 | 4375408 | Q Tube Assembly | 57 | 4375419 | Duct, Heater |
| 8 | 4375255 | Bushing | 34 | 4375438 | Transformer | 58 | 4375416 | Washer |
| 9 | 4375256 | Reflector | 35 | 4375406 | Ring, Turntable | 59 | 4375417 | Element, Heater |
| 10 | 4375257 | Chamber, Reflector | 36 | 4375407 | Shaft, Turntable | 60 | 4375418 | Fan |
| 12 | 4375450 | Duct, Inlet | 39 | | Bracket, Hinge | 61 | 4375429 | Motor, Fan |
| 13 | 4375316 | Insulation, Switch | | 4375412 | Left | 62 | | Left-Threaded Nut |
| 14 | 4375322 | Fan Wheel | | 4375413 | Right | | | Serviced With |
| 15 | 4375317 | Duct, Air | 42 | 4375331 | Plate, Grill | | | Motor Item 61 |
| 16 | 4375415 | Block, Slide | 43 | 4375332 | Bracket | 63 | 4375430 | Thermostat |
| 17 | 4375248 | Cover Plate, Upper | 44 | 4375441 | Fan Cap | 64 | 4375431 | Shield, Heat |
| 18 | 4375251 | Screw | 46 | | Switch Holder | 65 | 4375432 | Insulation |
| 19 | 4375318 | Lens, Lamp | | 4375412 | Left | 66 | 4375433 | Chamber, Heat |
| 20 | 4375319 | Spring | | 4375413 | Right | 67 | 4375437 | Isolation Plate |
| 21 | 4375320 | Reflector | 47 | 4375258 | Nut | 68 | 4375338 | Cover Plate |
| 22 | 4393900 | Pan Handle | 48 | | Insulation | 71 | | Side Plate |
| 23 | 4452220 | Rack | | 4375409 | Left Side | | 4375341 | Left |
| 24 | 4393536 | Crisp Plate | | 4375410 | Right Side | | 4375342 | Right |
| 25 | 4375436 | Capacitor | 49 | 4375411 | Plate, Side | 72 | 4455915 | Turntable |
| 26 | 4375424 | Magnetron | | | Bottom | 73 | 4375346 | Switch |
| 27 | 4375321 | Fuse | 50 | 4375425 | Valve | 74 | 4375278 | Motor, Turntable |
| | | | 51 | 4375428 | Screw To Valve | 75 | 4375348 | Lamp |
| | | | 52 | 4375427 | Thermoactuator | 76 | 4375349 | Rectifier |
| | | | | | | 77 | 4375435 | Cable |

FOR ORDERING INFORMATION REFER TO PARTS PRICE LIST

TOP VENTING PARTS

For Models: KBMC147HBL05, KBMC147HWH05, KBMC147HBT05, KBMC147HSS05
(BLACK) (WHITE) (BISCUIT) (STAINLESS)



| Illus. No. | Part No. | DESCRIPTION |
|------------|----------|-----------------------|
| 1 | 4450377 | Cover, Top |
| 2 | 4448935 | Baffle, Blower |
| 3 | 4450920 | Blower |
| 4 | 4451789 | Plate, Mounting |
| 5 | 6610122 | Transformer, (Lights) |
| 6 | 8303844 | Exhaust Duct |
| 7 | 4450027 | Bracket, Duct |
| 8 | 4449964 | Grommet |
| 11 | 4449868 | Block, Terminal |

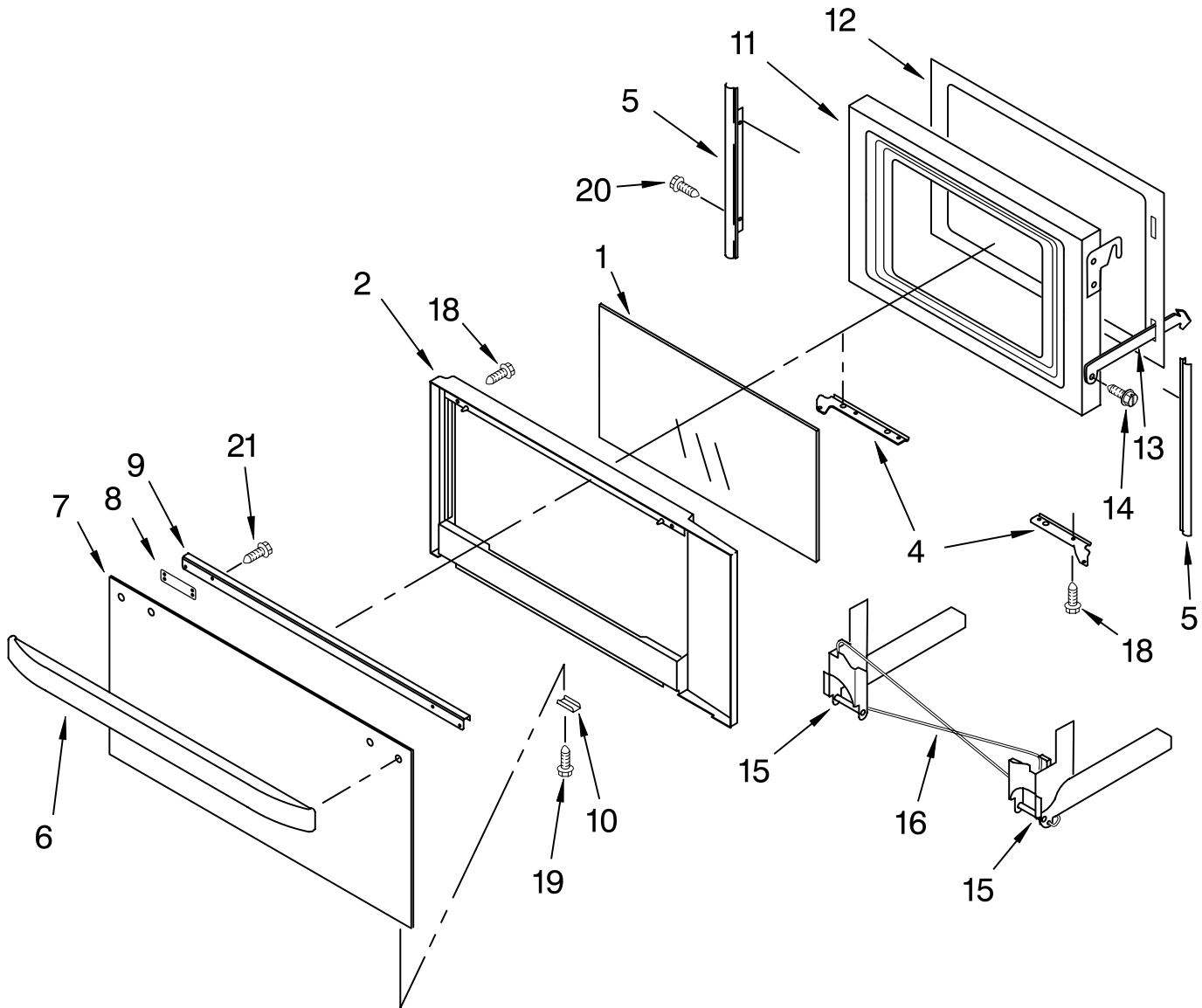
| Illus. No. | Part No. | DESCRIPTION |
|------------|----------|-------------------|
| 13 | 4456144 | Vent-Cntrl Panel |
| 14 | | Side, Control Top |
| | 4451597 | Right |
| | 4451598 | Left |
| 15 | 4452244 | Back, Control |
| 16 | 4450550 | Cover, Top Rear |
| 17 | 4448664 | Clamp |
| 18 | 4452366 | Cover, Top Front |

| Illus. No. | Part No. | DESCRIPTION |
|------------|----------|---------------------------|
| 19 | 4455038 | Transformer-Cntrl Control |
| 20 | 4452247 | Cover, Plate |
| 21 | 4449809 | Screw |
| 23 | 112432 | Nut |
| 24 | 1180485 | Screw |
| 25 | 4451934 | Suppressor |
| 26 | 3400080 | Screw |
| 27 | 4450118 | Nut |

FOR ORDERING INFORMATION REFER TO PARTS PRICE LIST

MICROWAVE DOOR PARTS

For Models: KBMC147HBL05, KBMC147HWH05, KBMC147HBT05, KBMC147HSS05
(BLACK) (WHITE) (BISCUIT) (STAINLESS)



| Illus. No. | Part No. | DESCRIPTION |
|------------|----------|------------------------------|
| 1 | 4448937 | Glass, Middle |
| 2 | 8303555 | Frame, Door |
| 4 | 4449141 | Bracket, Mounting Right Side |
| | 4449142 | Left Side |
| 5 | 4449083 | Filler, Side Right Side |
| | 4449086 | Left Side |
| 6 | 4452500 | Handle, Door Black |
| | 4452501 | White |
| | 4452870 | Biscuit |
| | 4452087 | Stainless |

| Illus. No. | Part No. | DESCRIPTION |
|------------|----------|--------------------------------------|
| 7 | 4452210 | Black Glass, Outer |
| | 4452788 | White |
| | 4452994 | Biscuit |
| | 4452258 | Stainless |
| 8 | 4451055 | Spacer (Stainless) |
| 9 | 4452330 | Bracket, Handle Retainer, Glass-Clip |
| 10 | 4450863 | Black |
| | 4450864 | White |
| | 4452119 | Biscuit |
| | 4451432 | Stainless |
| 11 | 4375339 | Door, Plate |

| Illus. No. | Part No. | DESCRIPTION |
|------------|----------|--------------------------------|
| 12 | 4375414 | Frame, Inner |
| 13 | 4375330 | Strap, Door |
| 14 | 4375313 | Screw |
| 15 | 4375323 | Hinge, Door Left |
| | 4375324 | Right |
| 16 | 4451008 | Spring, Torsion BI/Wh/Bt Model |
| | 4452398 | Stainless Model |
| 18 | 4449809 | Screw |
| 19 | 4449040 | Screw |
| 20 | 4450038 | Screw |
| 21 | 4451040 | Screw BI/Wh/Bt Model |
| | 3196184 | Stainless Model |

FOR ORDERING INFORMATION REFER TO PARTS PRICE LIST

OPTIONAL PARTS

For Models: KBMC147HBL05, KBMC147HWH05, KBMC147HBT05, KBMC147HSS05
(BLACK) (WHITE) (BISCUIT) (STAINLESS)

| Illus. No. | Part No. | DESCRIPTION |
|-------------------|-----------------|--------------------|
|-------------------|-----------------|--------------------|

PAINT, TOUCH-UP (1/2oz.)

72017 White
261869 Cord Brown
72032 Black

PAINT, SPRAY

350930 White
261900 Citrine White
830864 Black

FOLLOWING PARTS NOT ILLUSTRATED

482338 Sealer, Silastic
(3 oz.)

WIRING HARNESS PARTS

4453215 Harness, Main
8303838 Harness,
Main Filter
4450831 Wire, Ground
4450800 Screw, Ground
4450950 Conduit, Combo
4448950 Screw, Install (4)
4452400 Lead, Ground Strap

FOR ORDERING INFORMATION REFER TO PARTS PRICE LIST