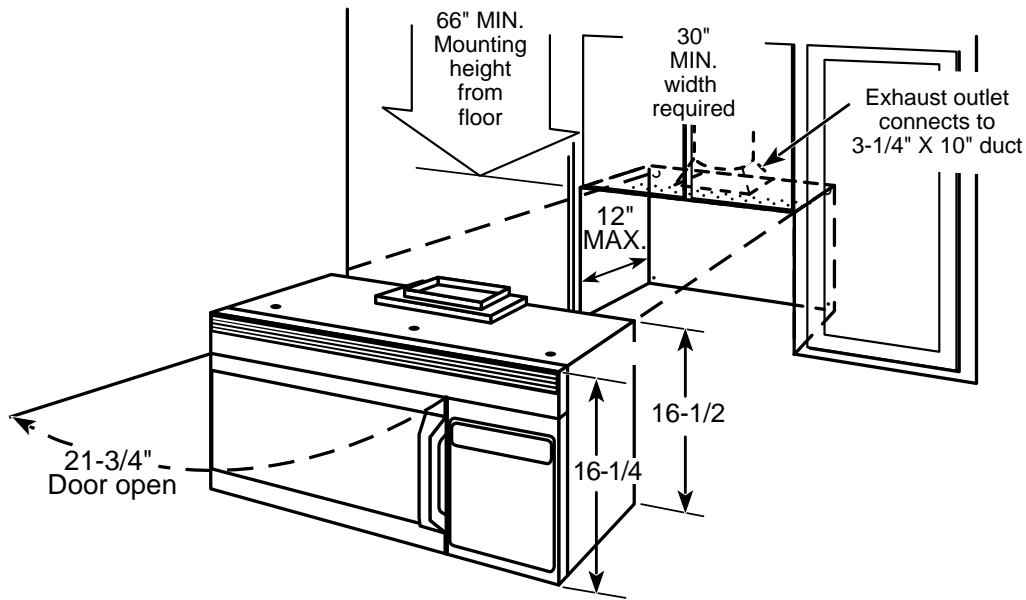


# HOTPOINT

## RVM1325WW—Counter Saver Plus™ Microwave Oven

### Dimensions (in inches)



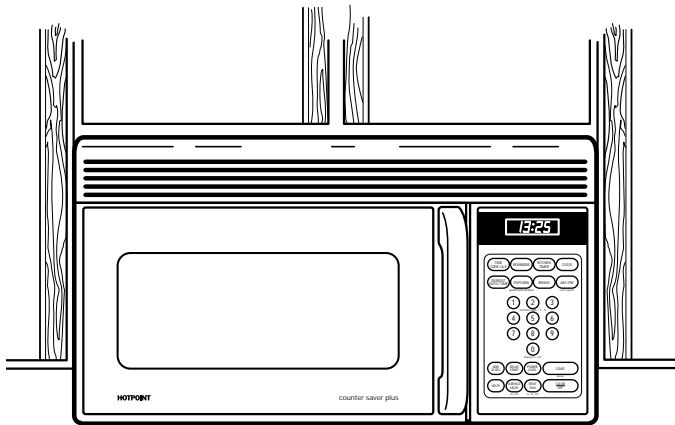
**Important Information:** When installing the Counter Saver Plus™ microwave oven over a range, allow minimum of 2" from bottom of Counter Saver Plus™ microwave oven to top of range backguard to allow for removal of light covers.

**Installation Information:** This information is not intended to be used for installing unit described. Before installing, consult installation instructions packed with product/kit for current dimensional data.

For answers to your GE Monogram™, GE Profile™, GE, Hotpoint and RCA appliance questions, call GE Answer Center® service, 800.626.2000.

# HOTPOINT

## RVM1325WW—Counter Saver Plus™ Over-The-Range Microwave Oven



### Features and Benefits

- White on white Model
- 1.3 cu. ft. Oven Cavity
- Interactive Display System
  - Electronic Scrolling Digital Display With Clock and AM/PM Pad
  - Variable Scroll Speed
  - Concurrent Programming
  - Help Pad
- Auto Defrost/Time Defrost
- Minute Cook (1-6 Minutes)
- Add 30 Seconds
- Instant On Controls
- Timer On/Off
- Child Lock Out
- Full-View Cooktop Lighting
- Easy Mount Installation
- Available In Black as Model RVM1325BW