

Hamilton Beach®

Microwave Oven

Owner's Manual



Safety Information..... **2**

Welcome.....	2
Grounding.....	4
Excessive Energy Warning.....	5
Features And Benefits, Specifications	6



Operating Your Microwave..... **8**

Setting Up Your Microwave.....	8
Parts And Accessories.....	8
Turntable Installation.....	8
Control Panel.....	9
Operation.....	10



One-touch Buttons **14**

Popcorn.....	14
Potato.....	14
Pizza.....	14
Beverage.....	14
Frozen Dinner.....	15
Fresh Vegetable	15
Frozen Vegetable	15
Soup	15
Reheat.....	15



Use And Care **15**

Care And Cleaning.....	16
Troubleshooting.....	17
Warranty.....	18
Technical Support.....	18

Hamilton Beach®

Welcome!

Congratulations, you have acquired a high-quality Hamilton Beach™ Microwave Oven. This unit is packed with many extra features that you will find convenient to use. Nine different one-touch cooking buttons provide for convenient meal preparation and tasty snacks. It will provide you with trouble free use if you follow the safety precautions and operating instructions provided in this easy-to-use manual. Please take the time to read it, and save these instructions for future use. Please also remember to record the model, series code and serial number. They are on a label on back of the unit. Save your receipt by stapling it to this manual for convenient access.

Model number: HB-P90D23AL-B8B-FR03 Serial number _____

Series code _____ Date of purchase _____

!! IMPORTANT SAFETY INSTRUCTIONS !!

When using electrical appliances, basic safety precautions should be followed, including the following:

WARNING! - To reduce the risk of burns, electric shock, fire, injury to persons, or exposure to excessive microwave energy:

1. Read all instructions before using the appliance.
2. Read and follow the specific PRECAUTIONS TO AVOID POSSIBLE EXPOSURE TO EXCESSIVE MICROWAVE ENERGY found on page 5.
3. This appliance must be grounded. Connect only to properly grounded outlet. See "IMPORTANT GROUNDING INSTRUCTIONS" found on page 4.
4. Install or locate this appliance only in accordance with the provided installation instructions.
5. Some products such as whole eggs and sealed containers, like closed glass jars, are able to explode and should not be heated in this oven.
6. Use this appliance only for its intended use as described in the manual. Do not use corrosive chemicals or vapors in this appliance. This type of oven is specifically designed to heat, cook, or dry food. It is not designed for industrial or laboratory use.
7. As with any appliance, close supervision is necessary when used by children.

Hamilton Beach®

8. To reduce the risk of fire in the oven cavity:
 - Do not overcook food. Carefully attend appliance when paper, plastic, or other combustible materials are placed inside the oven to facilitate cooking.
 - Remove wire twist ties from paper or plastic bags before placing bag in oven.
 - If materials inside the oven ignite, keep oven door closed, turn oven off and disconnect the power cord, or shut off power at the fuse or circuit breaker panel.
 - Do not use the cavity for storage purposes. Do not leave paper products, cooking utensils, or food in the cavity when not in use.
9. Liquids such as water, coffee, or tea are able to be overheated beyond the boiling point without appearing to be boiling. Visible bubbling or boiling when the container is removed from the microwave oven is not always present. THIS COULD RESULT IN VERY HOT LIQUIDS SUDDENLY BOILING OVER WHEN THE CONTAINER IS DISTURBED OR A UTENSIL IS INSERTED INTO THE LIQUID.
10. Do not heat oil or fat for deep-frying. It is difficult to control the temperature of oil in microwave oven.
11. Pierce foods with heavy skins such as potatoes, whole squash, apples and chestnuts before cooking.
12. The contents of feeding bottles and baby jars should be stirred or shaken and the temperature should be checked before serving in order to avoid burns.
13. Cooking utensils may become hot because of heat transferred from the heated food. Potholders may be needed to handle the utensil.
14. Do not cover or block any openings on this appliance.
15. Do not store this appliance outdoors. Do not use this product near water. For example, do not use near a kitchen sink, in a wet basement, near a swimming pool, or similar locations.
16. Do not operate this appliance if it has a damaged cord or a plug, if it is not working properly or if it has been damaged or dropped.
17. Do not immerse cord or plug in water. Keep cord away from heated surface. Do not let cord hang over edge of table or counter.
18. Use only thermometers, which are specifically designed for use in microwave ovens.
19. Do not operate any heating or cooking appliance beneath this appliance.
20. Be certain the glass tray and roller rings are in place when you operate the oven.
21. This appliance should be serviced only by qualified service personnel. Contact nearest authorized service facility for examination, repair, or adjustment.
22. When cleaning surfaces of door and oven that come together on closing the door, use only mild, nonabrasive soaps, or detergents applied with a sponge or soft cloth.

!! SAVE THESE INSTRUCTIONS !!

Important Grounding Instructions

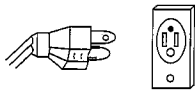
This appliance must be grounded. In the event of an electrical short circuit, grounding reduces the risk of electric shock by providing an escape wire for the electric current.

WARNING Improper use of the grounding plug can result in a risk of electric shock.

Electrical Requirements

The electrical requirements are a 120 volt 60 Hz, AC only, 20 amp. It is recommended that a separate circuit serving only the oven be provided. The oven is equipped with a 3-prong grounding plug. It must be plugged into a wall receptacle that is properly installed and grounded.

Three-pronged
(grounding) plug



Properly polarized and
grounded outlet

Power Supply Cord

1. A short power supply cord is provided to reduce the risks resulting from becoming entangled in or tripping over a longer cord.
2. Longer cord sets or extension cords are available and may be used if care is exercised in their use.
3. If long cord or extension cord is used :
 - a) The marked electrical rating of the cord set or extension cord should be at least as great as the electrical rating of the appliance.
 - b) The extension cord must be a grounding-type 3-wire cord, and the longer cord should be arranged so that it will not drape over the counter top or table top where it can be pulled on by children or tripped over unintentionally.

Notes:

If you have any questions about the grounding or electrical instructions, consult a qualified electrician or service person. Neither manufacturer nor the dealer can accept any liability for damage to the oven or personal injury resulting from failure to observe the electrical connection procedures.

Radio or TV Interference

Should there be any interference caused by the microwave oven to your radio or TV, check that the microwave oven is on a different circuit, relocate the radio or TV as far away from the oven as feasible or check position and signal of receiving antenna.

Hamilton Beach®



Precautions To Avoid Possible Exposure To Excessive Microwave Energy

- Do not attempt to operate this microwave oven with the door open since open-door operation can result in harmful exposure to microwave energy. It is important not to defeat or tamper with the safety interlocks.
- Do not place any object between the oven frame and the door. Do not allow soil or cleaner residue to accumulate on sealing surfaces.
- Do not operate the oven if it is damaged. It is very important that the oven door closes properly and that there is no damage to the:
 1. Door (including any dents)
 2. Hinges and latches (including broken or loose parts)
 3. Door seals and sealing surfaces
- The oven should not be adjusted or repaired by anyone except qualified service personnel.

Features and Benefits

- 0.9 cu.ft. Oven Cavity
- 6 Power Levels
- Nine Instant One-touch Setting Buttons For Common Foods
- Electronic Digital Display With Clock (LED)
- Turnable
- Time Cook
- Time And Weight Defrost
- Remind Signal
- Kitchen Timer

Specifications

Model.....	HB-P90D23AL-B8B-FR03(MW900B)
Power Source.....	120V ~ 60Hz
Power Consumption.....	1350W
Maximum Output.....	900W
Operation Frequency.....	2450 MHZ
Oven Capacity.....	0.9 cu.ft.
Oven Cavity Dimensions.....	13 3/8 x 12 5/8 x 8 11/16 inches
External Dimensions.....	19 x 15 5/16 x 13 7/16 inches
Net Weight	31.1 lbs

How To Test For A Microwave-safe Dish

To determine if a dish is microwave-safe, place the dish in the microwave along with a glass measuring cup filled with one cup of water. Microwave for one minute on high and then carefully feel the dish. If it is warm, it is not microwave-safe.

Arcing - The microwave term for sparks in the oven. Caused by:

- Metal or foil touching the side of the microwave
- Upturned edges of foil not wrapped around the food
- Metals in the microwave such as twist ties, meat pins or metal rimmed dishes
- Recycled paper towels in the microwave that contain small flecks of metal

Hamilton Beach®

Materials For Use In Microwave

To avoid arcing and other hazards, follow these instructions for the use of safe materials in the microwave.

Browning dish	Follow manufacturer's instructions. The bottom of browning dish must be at least 3/16 inch (0.5 cm) above the turntable. Incorrect usage may cause the turntable to break.
Dinnerware	Microwave-safe only. Follow manufacturer's instructions. Do not use cracked or chipped dishes.
Glassware	Heat-resistant oven glassware only. Make sure there is no metallic trim. Do not use cracked or chipped dishes.
Oven cooking bags	Follow manufacturer's instructions. Do not close with metal tie. Make slits to allow steam to escape.
Paper plates/cups	Use for short-term cooking/warming only. Do not leave oven unattended while cooking.
Paper towels	Use to cover food for reheating and absorbing fat. Use with supervision for short-term cooking only.
Parchment paper	Use as a cover to prevent splattering or a wrap for steaming.
Plastic	Microwave-safe only. Follow the manufacturer's instructions. Boiling bags and tightly closed plastic bags should be slit, pierced or vented as directed by package. Due to various manufacturers you may receive varying performance results when using a bacon tray.
Plastic wrap	Microwave-safe only. Use to cover food during cooking to retain moisture. Do not allow plastic wrap to touch food.
Thermometers	Microwave-safe only.
Wax paper	Use as a cover to prevent splattering and retain moisture.

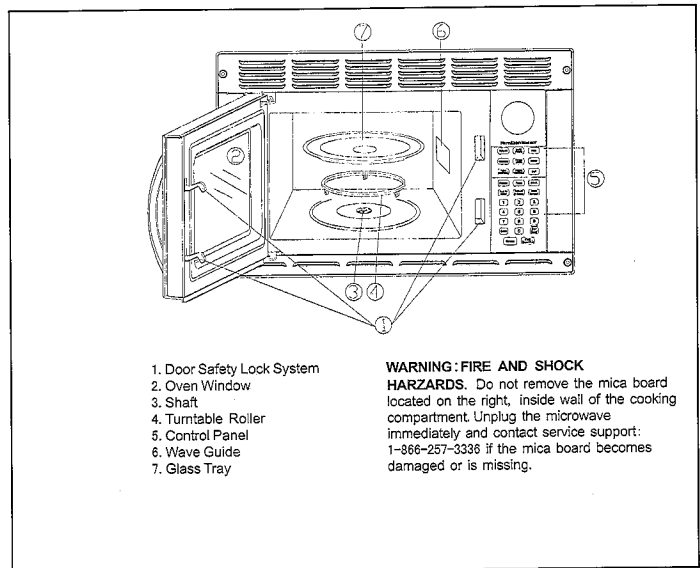
Materials To Avoid In Microwave

- Metal pans and bakeware
- Recycled paper products
- Non-heat-resistant glass
- Food storage bags
- Dishes with metallic trim
- Brown paper bags
- Non-microwave-safe-plastics (e.g. margarine tubs)
- Metal twist ties

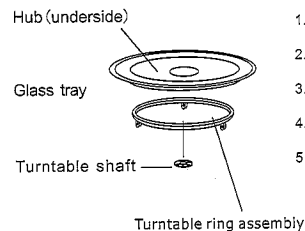
Setting Up Your Microwave

Installation:

1. Make sure that all the packing materials are removed from the inside of the door.
2. Check the oven for any damage, such as misaligned or bent door, damaged door seals and sealing surface, broken or loose door hinges and latches, and dents inside the cavity or on the door. If there is any damage, do not operate the oven but contact qualified service personnel.
3. This microwave oven must be placed on a flat, stable surface to hold its weight and the heaviest food likely to be cooked in the oven.
4. Do not place the oven where heat, moisture, or high humidity are generated, or near combustible materials.
5. For correct operation, the oven must have sufficient airflow. Allow 20cm of space above the oven, 10cm at back and 5cm at both sides. Do not cover or block any openings on the appliance. Do not remove feet on which oven stands.
6. Do not operate the oven without glass tray, roller support, and shaft in their proper positions.
7. Make sure that the power supply cord is undamaged and does not run under the oven or over any hot or sharp surface.
8. The socket must be readily accessible so that it can be easily unplugged in an emergency.



Turntable Installation

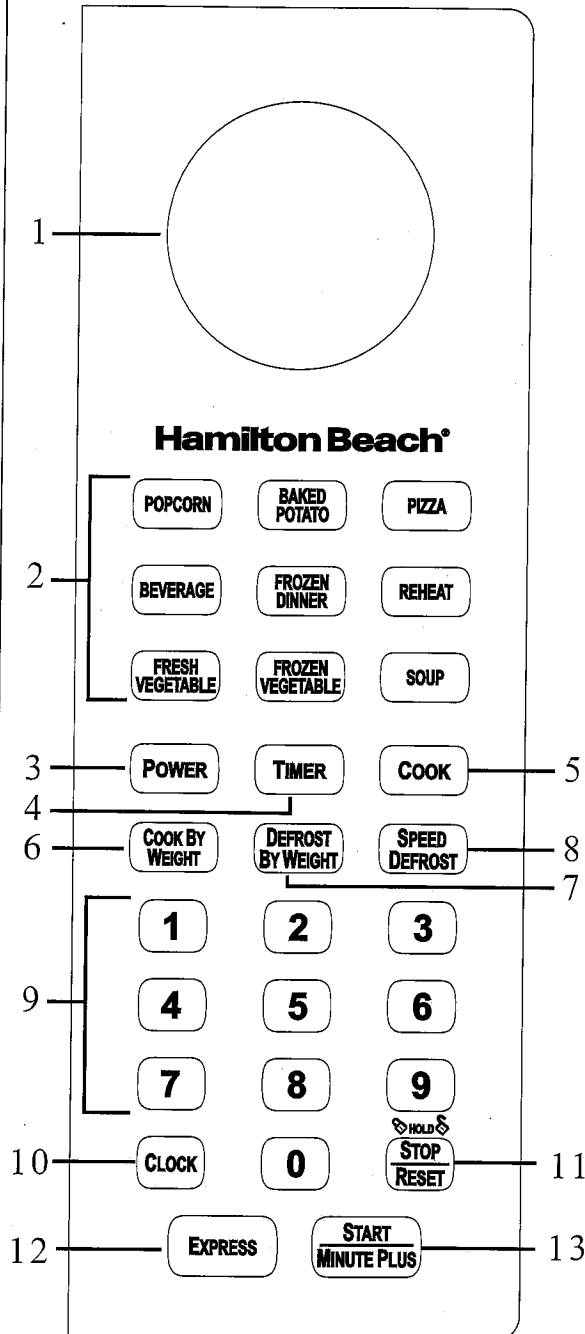


1. Never place the glass upside down. The glass tray should never be restricted.
2. Both glass tray and turntable ring assembly must always be used during cooking.
3. All food and containers of food are always placed on the glass tray for cooking.
4. The glass tray rotates either clockwise or counter-clockwise; this is normal.
5. If the glass tray or turntable ring assembly cracks or breaks, contact service support: 1-866-257-3338

To order a replacement turntable, pls call service support: 1.866-257-3336

Hamilton Beach®

Control Panel



1. MENU ACTION SCREEN

Cooking time, power, indicators and present time are displayed.

2. QUICK COOK BUTTONS

Instant settings to cook popular foods.

3. POWER

Use to set power levels other than high.

4. TIMER

Timer functions independently, even while a cooking program is in process.

5. COOK

Use to set multi-stage cooking.

6. COOK BY WEIGHT

Programmed cooking based on the weight of the foods to be cooked.

7. DEFROST BY WEIGHT

Programmed defrosting based on the weight of the foods to be defrosted.

8. SPEED DEFROST

Quick defrost function that alternates defrost and times to quickly and effectively defrost foods.

9. NUMBER PADS(0-9)

Touch to set time or food weight.

10. CLOCK

Touch to set clock time.

11. STOP/RESET

Press to cancel setting or reset the oven before setting a cooking program.

Press once to temporarily stop cooking, or twice to cancel cooking altogether.

It is also used for setting child lock.

12. EXPRESS

Use to program the oven to microwave food at 100% power conveniently.

13. START/MINUTE PLUS

Touch to start cooking or to add an extra minute to your cooking cycle for each touch.

Operation

1. Setting The Clock

- 1) Touch CLOCK pad.
- 2) Use the number pads to enter the correct time.
- 3) Touch CLOCK pad again.

NOTE:

This is a 12-hour or 24-hour cycle clock. When the oven is first plugged in or when power resumes after a power interruption, the display will show ENTER CLOCK TIME. If you prefer to not have the clock displayed, touch STOP/RESET.

2. Setting The Oven Timer

- 1) Touch TIMER.
- 2) Enter the amount of time by touching the number pads.
- 3) Touch START/MINUTE PLUS.

NOTE:

The maximum time you can enter is 99 minutes and 99 seconds.

Time countdown can be seen in display for 3 seconds before clock or cooking time is returned to display.

Touch TIMER and then touch STOP/RESET to cancel TIMER during timing process.

3. Microwave Cooking

For microwave cooking, the longest cooking time is 99 minutes and 99 seconds.

Select power level by pressing POWER button:

Press POWER button	power
once	100%
twice	80%
3 times	60%
4 times	40%
5 times	20%
6 times	0%

Hamilton Beach

For example suppose you want to cook for 1 minute at 60% of microwave power.

- 1) Press POWER to enter power level.
- 2) Use number pads to enter cooking time.
- 3) Touch START/MINUTE PLUS.

NOTE: During cooking process, you can check current cooking power by pressing POWER, and extend cooking time by pressing START/MINUTE PLUS. Each press adds 1 minute.

4. Speed Defrost

The longest defrosting time is 99 min and 99 sec.

- 1) Touch SPEED DEFROST Pad.
- 2) Enter desired defrosting time by touching correct number pads.
- 3) Touch START/MINUTE PLUS.

NOTE:

- Turn over food when oven pauses and signals.
- Touch START/MINUTE PLUS to resume defrosting.

5. Cook By Weight

- 1) Touch COOK BY WEIGHT to select the one digit code.
- 2) Use the number pad to enter food weight (lb digit:from 1lb to 5 lb).
- 3) Touch COOK BY WEIGHT again.
- 4) Use the number pad to enter food weight (oz digit:from 1 oz to 16 oz).
- 5) Touch START/MINUTE PLUS.

Cook By Weight Code Description

CODE	TYPE	MAX WEIGHT
d1	Beef	5 lb. 4 oz.
d2	Mutton	5 lb. 4 oz.
d3	Pork	5 lb. 4 oz.

NOTE:

Meat must be defrosted and at refrigerated temperature

Weight must be in pounds and ounces.

Ounce weights less than 10 must be preceded by a 0. If label gives weight in pounds only, change the fraction of a pound to ounces by using the following chart.

Hamilton Beach®

Converting Fractions Of A Pound To Ounces

Fractions of a pound	Ounces
Less than .03	0
.03 to .09	1
.10 to .15	2
.16 to .21	3
.22 to .27	4
.28 to .34	5
.35 to .40	6
.41 to .46	7
.47 to .53	8
.54 to .59	9
.60 to .65	10
.66 to .71	11
.72 to .78	12
.79 to .84	13
.85 to .90	14
.91 to .97	15

Turn over meat when oven pauses and signals. Touch START/MINUTE PLUS to resume cooking.

Leave the meat a few minutes before carving.

6. Defrost By Weight

- 1) Touch DEFROST BY WEIGHT once. "0.00", "LB" and "##" shows on display.
- 2) Use the number pad 1~5 to enter food weight (lb digit: from 1 lb to 5 lb).
- 3) Touch DEFROST BY WEIGHT again.
- 4) Use the number pad to enter food weight (oz digit: from 1 oz to 16 oz).
- 5) Touch START/MINUTE PLUS.

NOTE:

Weight must be in pounds and ounces. Ounce weights less than 10 must be preceded by a 0. If label gives weight in pounds only, change the fraction of a pound to ounces by using the chart given above. Maximum weight is 5 lb.4 oz.

Turn over food when oven pauses and signals.

Touch START/MINUTE PLUS to resume defrosting.

Hamilton Beach

7. Multistage Cooking

Your oven can be programmed for up to 3 automatic cooking sequences. Suppose you want to set the following cooking program.

Microwave-cooking

↓
Microwave-cooking (with lower power level)

- 1) Enter a stage of microwave cooking program.
- 2) Press COOK pad.
- 3) Enter another stage of microwave cooking program.
- 4) Press START/MINUTE PLUS.

NOTE: Speed Defrost and Defrost by Weight can only be set in the first stage, Cook by Weight and Auto Cook cannot be set in Multistage cooking mode.

8. Minute Plus

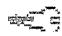
Minute Plus lets you add an extra minute to the current cooking cycle at the current cooking program. You can also use it to extend cooking time in multiples of one minute. NOTE:


To extend cooking time in multiples of one minute, touch START/MINUTE PLUS repeatedly during cooking.

You can use Minute Plus during Microwave cooking processes.

9. Setting Child Lock

The child lock prevents unsupervised operation by children.

To set, in standby mode, press and hold STOP/RESET for 3 seconds,  is indicated on the display.

To cancel, press and hold STOP/RESET for 3 seconds.  indication disappears.

10. Quick Cook

The QUICK COOK settings allow you to cook or reheat food automatically without entering power level or time.

For smaller portions, simply touch the applicable pad and start. For larger portions, push the pad twice.

FROZEN DINNER, BAKED POTATO and BEVERAGE allow you to cook multiple amounts of the same food. Simply touch pad once, and ENTER AMT appears in the display. Enter the amount of servings and start.

11. Popcorn

1) Touch POPCORN.

POPCORN automatically sets the cooking time for a 3.5 oz. bag of microwave popcorn.

2) Touch START/MINUTE PLUS.

NOTE:

To change the preset POPCORN time: Touch POPCORN twice. ENTER TIME appears in display.

Touch number pads to enter minutes and seconds. Touch START/MINUTE PLUS.

This new cooking time will be set as the default one until you reset it or turn power on again.

12. Potato

For small potatoes (3.5-5 oz./share):

1) Touch POTATO once.

2) Enter number of potatoes by touching number pads from 1 to 4.

3) Touch START/MINUTE PLUS.

For big potatoes (6-8 oz./share):

1) Touch POTATO twice.

2) Enter number of potatoes by touching number pads from 1 to 4.

3) Touch START/MINUTE PLUS.

13. Pizza

Reheating a slice of pizza (5oz):

1) Touch PIZZA once. CODE and cooking time appears.

2) Touch START/MINUTE PLUS.

Heating a whole frozen pizza (16 oz):

1) Touch PIZZA twice. CODE and cooking time appears.

2) Touch START/MINUTE PLUS.

14. Beverage

For small cups (5-7 oz. /cup):

1) Touch BEVERAGE once.

2) Enter number of cups by touching number pads from 1 to 4.

3) Touch START/MINUTE PLUS.

For larger cups (9-11 oz. /cup):

1) Touch BEVERAGE twice.

2) Enter number of mugs by touching number pads from 1 to 4.

3) Touch START/MINUTE PLUS.

Hamilton Beach®

15. Frozen Dinner

For small frozen dinners (7-9 oz. /share):

- 1) Touch FROZEN DINNER once.
- 2) For 1 entree, touch the number pad "1". For 2 entrees, touch the number pad "2".
- 3) Touch START/MINUTE PLUS pad.

For large frozen dinners (10-12 oz. /share) :

- 1) Touch FROZEN DINNER twice.
- 2) For 1 entree, touch the number pad "1". For 2 entrees, touch the number pad "2".
- 3) Touch START/MINUTE PLUS.

16. Fresh Vegetable

For vegetable weights 5 to 9 oz per share:

- 1) Touch FRESH VEGETABLE once.
- 2) Enter number of servings by touching number pads from 1 to 6.
- 3) Touch START/MINUTE PLUS.

17. Frozen Vegetable

For frozen vegetable weights 5 to 9 oz per share:

- 1) Touch FROZEN VEGETABLE once.
- 2) Enter number of servings by touching number pads from 1 to 6.
- 3) Touch START/MINUTE PLUS.

18. Soup

To prepare soup (5-9 oz /share):

- 1) Touch SOUP once.
- 2) Enter number of servings by touching number pads from 1 to 4.
- 3) Touch START/MINUTE PLUS.

19. Reheat

For a plate of cool food

- 1) Touch REHEAT pad. CODE and cooking time appears.
- 2) Touch START/MINUTE PLUS.

Care and Cleaning

- Turn off the oven and remove the power plug from the wall socket before cleaning.
- Keep the inside of the oven clean. When food splatters or spilled liquids adhere to oven walls, wipe with a damp cloth. Mild detergent may be used if the oven gets very dirty. Avoid the use of spray and other harsh cleaners as they may stain, streak or dull the door surface.
- The outside surfaces should be cleaned with a damp cloth. To prevent damage to the operating parts inside the oven, water should not be allowed to seep into the ventilation openings.
- Wipe the window on both sides with a damp cloth to remove any spills or splatters.
- Do not allow the control panel to become wet. Clean with a soft, damp cloth. When cleaning the control panel, leave oven door open to prevent oven from accidentally turning on.
- If steam accumulates inside or around the outside of the oven door, wipe with a soft cloth. This may occur when the microwave oven is operated under high humidity conditions. In such case, it is normal.
- It is occasionally necessary to remove the glass tray for cleaning. Wash the tray in warm sudsy water or in a dishwasher.
- The roller ring and oven floor should be cleaned regularly to avoid excessive noise. Simply wipe the bottom surface of the oven with mild detergent. The roller ring may be washed in mild sudsy water or dishwasher. When removing the roller ring from cavity floor for cleaning, be sure to replace in the proper position.
- Remove odors from your oven by combining a cup of water with the juice and skin of one lemon in a deep microwaveable bowl and microwave for 5 minutes. Wipe thoroughly and dry with a soft cloth.
- The oven should be cleaned regularly and any food deposits removed. Failure to maintain the oven in a clean condition could lead to deterioration of the surface that could adversely affect the life of the appliance and possibly result in a hazardous situation.
- Please do not dispose of this appliance by placing it in your household trash. It should be disposed of by taking to an approved municipal disposal center.

Hamilton Beach®



Troubleshooting

Problem	Possible Causes	What to do
1. Dim oven light	1. In low power cooking, oven light may become dim	1. This is normal
2. Steam accumulating on door or hot air coming out of vents during cooking	2. Food releases steam during cooking	2. This is normal
3. Oven is started accidentally with no food in it	3. Microwave is started accidentally with no food in it	3. No damage will occur if the microwave runs for less than 20 seconds
4. Interference with TV reception	4. Microwave operation may affect radio and TV reception	4. This is normal
5. Microwave will not start	5a. Power cord not plugged in tightly 5b. A fuse is blown or circuit breaker trips 5c. Problem with electrical outlet	5a. Unplug, wait 14 seconds, then plug in again 5b. Replace fuse or reset circuit breaker 5c. Consult with professional electrician
6. Glass turntable makes noise during operation	6. The microwave cavity is dirty	6. Clean the microwave and turntable rest with warm water and microwave-safe cleaning products
7. Popcorn is over-cooked or under-cooked with "Popcorn" easy setting	7. Incorrect power level selected for size of popcorn bag	7. Refer to page 14 for "Popcorn" setting instructions. Always follow manufacturer's instructions for popcorn if the cooking time for the pre-set setting differs from the manufacturer's recommended time. Never leave popcorn cooking unattended.

JENSEN RETAIL

12 MONTH LIMITED WARRANTY

ASA Electronics (ASA) warrants to the original retail purchaser of this Jensen product that should this product or any part thereof, under normal use and conditions, be proven defective in material or workmanship within 12 months from the date of original purchase, such defect(s) will be repaired or replaced (at ASA's option) without charge for parts and repair labor.

To obtain repair or replacement within the terms of this warranty, contact ASA at (888) 283-7374. The product is to be delivered with proof of warranty coverage (dated bill of sale), specification of defect(s) with purchaser's name and return address, transportation prepaid to ASA at the address shown provided at the time of return authorization.

This warranty does not extend to the effects of this device on other devices, to costs incurred for removal or reinstallation of the product, or to damage of any product, accessories, or electrical system(s). This warranty does not apply to any product or part thereof which, in the opinion of the company, has been damaged through alteration, improper installation, mishandling, misuse, neglect, or accident.

THE EXTENT OF ASA'S LIABILITY UNDER THIS WARRANTY IS LIMITED TO THE REPAIR OR REPLACEMENT PROVIDED ABOVE, AND, IN NO EVENT, SHALL ASA'S LIABILITY EXCEED THE PURCHASE PRICE PAID BY THE PURCHASER FOR THE PRODUCT.

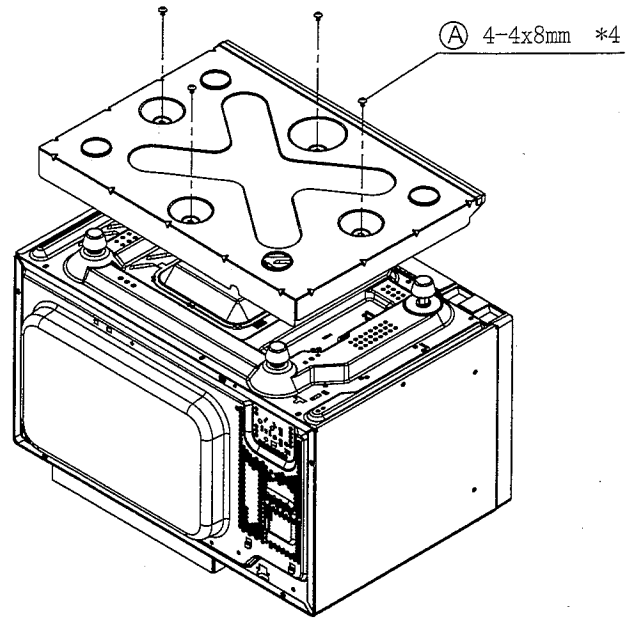
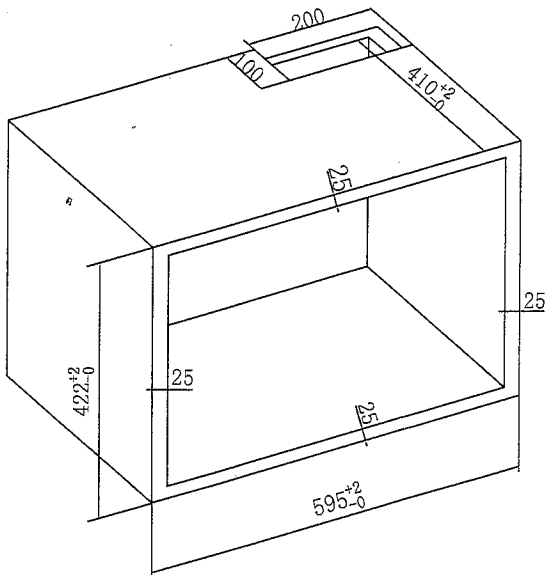
This warranty is in lieu of all other express warranties or liabilities. ANY IMPLIED WARRANTIES, INCLUDING ANY IMPLIED WARRANTY OF MERCHANTABILITY, SHALL BE LIMITED TO THE DURATION OF THIS WARRANTY. ANY ACTION FOR BREACH OF ANY WARRANTY HEREUNDER INCLUDING WARRANTY OF MERCHANTABILITY MUST BE BROUGHT WITHIN A PERIOD OF 30 DAYS FROM THE DATE OF ORIGINAL PURCHASE. IN NO CASE SHALL ASA BE LIABLE FOR ANY CONSEQUENTIAL OR INCIDENTAL DAMAGES FOR BREACH OF THIS OR ANY OTHER WARRANTY, EXPRESS OR IMPLIED, WHATSOEVER. No person or representative is authorized to assume for the company any liability other than expressed herein in connection with the sale of this product.

ASA Electronics
(888) 283-7374

IMPORTANT WARRANTY INFORMATION

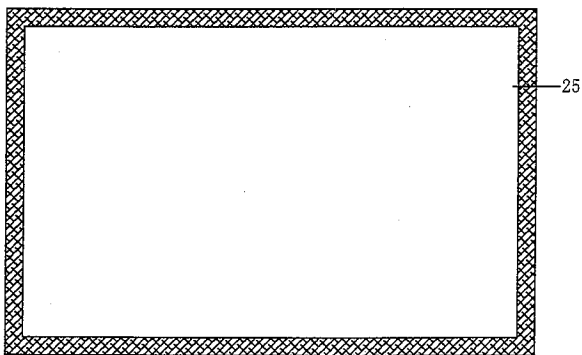
DO NOT RETURN DEFECTIVE PRODUCT
TO YOUR PLACE OF PURCHASE
CONTACT JENSEN @ 1-888-283-7374

Please place this Warranty Agreement and a copy of your sales receipt in a safe and secure location, along with your other valuable documents.

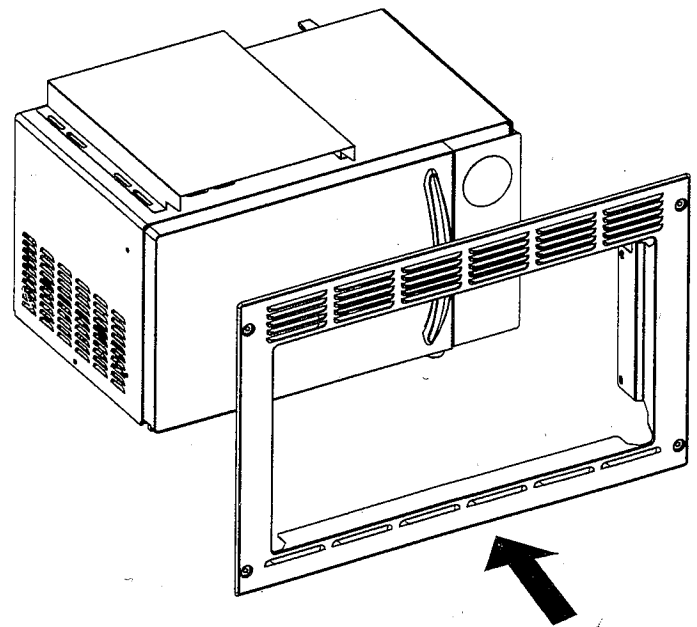


Fasten the "Down Exhaust Guide" to the Microwave Oven with 4 screws.

1

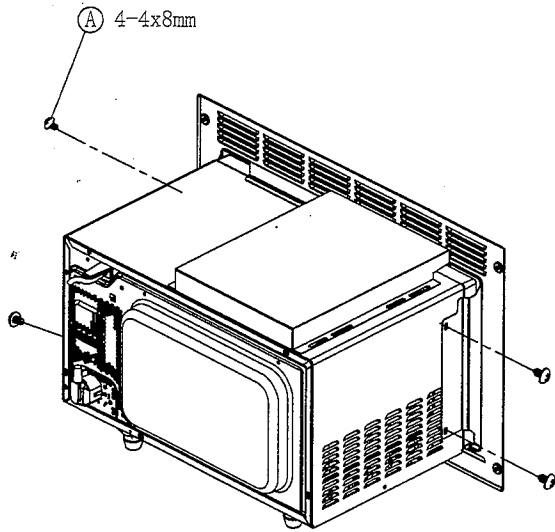


Make a cabinet to the dimension



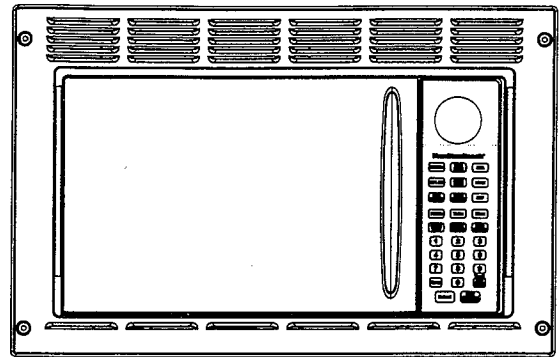
Place the shutters onto the oven

2



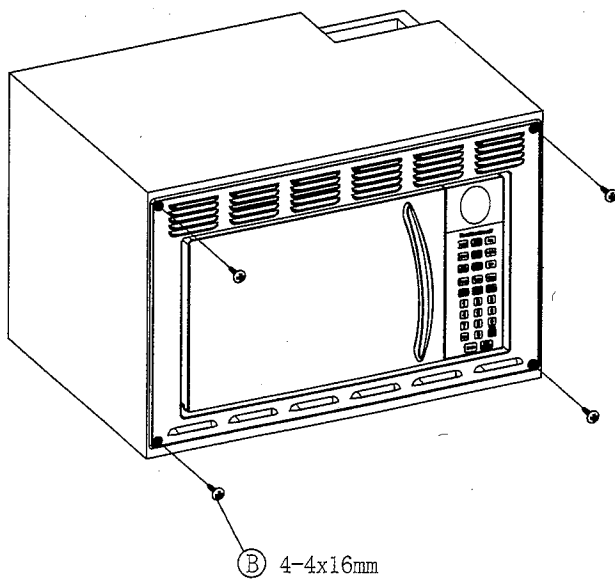
Fasten the shutters onto the oven with 4 screws

3



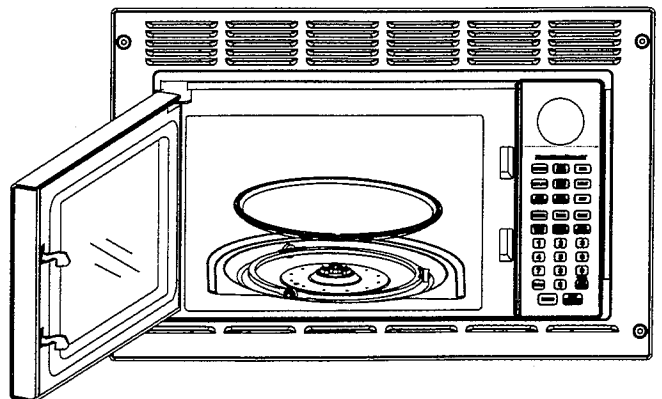
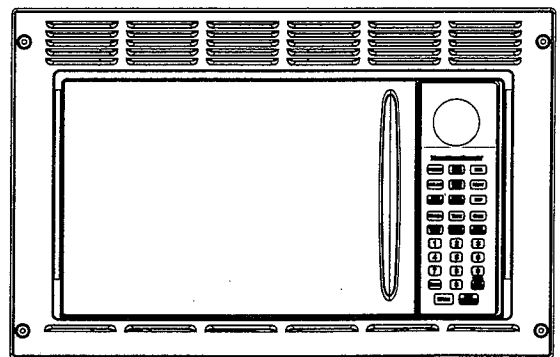
Place the oven into cabinet

4



Fasten the oven into the cabinet with 4 screws

5



Installation completion

6