

Haier

Microwave Oven
Instruction for use

HR-1770M
HR-1770MG

Electricity schematic diagram

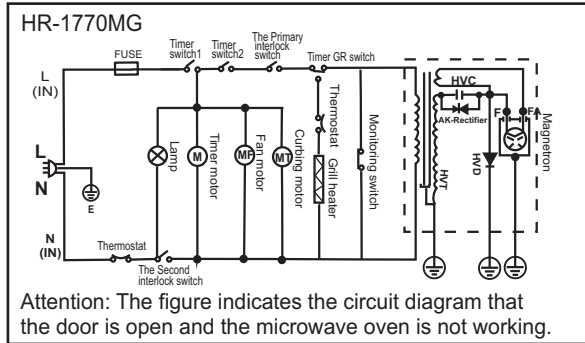
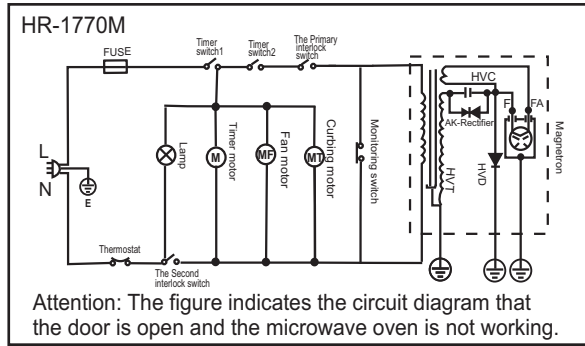
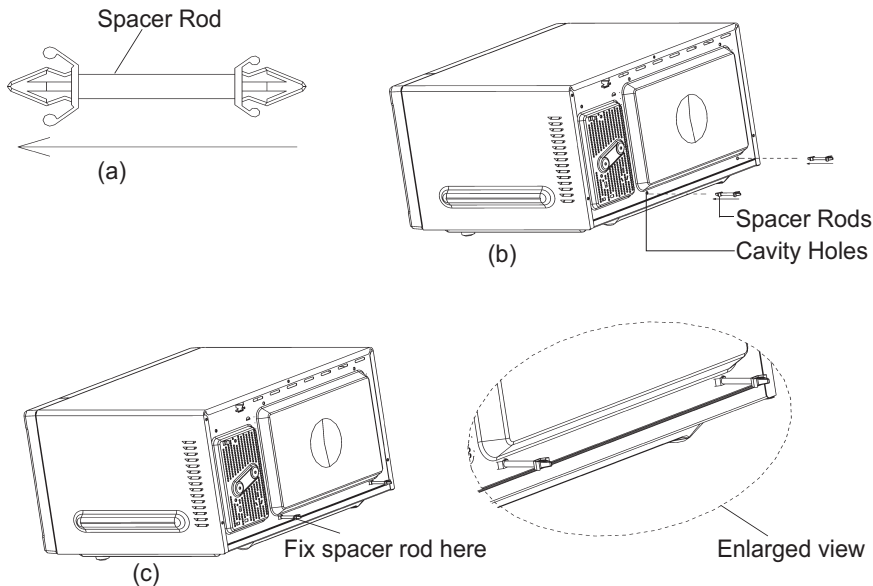


FIG 1



Haier

Technology

Customer Name
 Address
Serial No
 Date of purchaseModel.....
 Dealer Seal

HAIER WARRANTY

HAIER Appliances (India) P.Ltd (hereinafter referred to as "the company") hereby offers the following warranty to the original domestic purchaser commencing from the date of the purchase. The company will, free of charge repair or replace any defective part or parts which prove to be defective in workmanship and / or materials and not due to abnormal or improper usage at its sole discretion.

Product	Warranty	
	Period	Parts not covered
Colour TV	12 Months	Remote, Cabinet
Refrigerator	Comprehensive: 12 Months Compressor: 60 Months	Plastic, Glassware, Light Bulb
Washing Machine	Comprehensive: 24 Months Motor: 60 Months	Top Lid Outer Steel Gasing
Airconditioner	Comprehensive: 12 Months Compressor: 60 Months	Air Filter, Front Grill
Microwave	12Months	Glass, Plate, Bulb
Dishwasher	24 Months	
Cloth Dryer	12Months	
DVD	12Months	

TERMS AND CONDITIONS

- 1) This warranty will automatically terminate on the expiry of the warranty period from the date of delivery.
- 2) The Company is not liable for any delay in servicing due to reasons beyond the control of the Company or any of its authorized service centers.
- 3) Parts replaced or repaired under this warranty are warranted throughout the remaining of the original warranty period.
- 4) It is entirely left to Company's discretion to repair/replace parts at the site of installation or at the authorized service center of the Company.
- 5) This warranty shall be strictly limited to the repairs or replacement of defective parts specified in the warranty. This warranty shall not cover any consequential or resulting liability.
- 6) This warranty shall not in any case extend towards payment of any monetary consideration whatsoever or replacement or return of the Product.
- 7) The Company may repair/supply parts free of cost during the warranty period. This warranty does not cover any Excise duty, Central or Sales tax, octroi and Other local taxes or levies on the components/part.
- 8) The parts shall be replaced by functionally operating equivalent material only and not with brand new ones and are likely to be different from the one originally fitted. The parts thus removed shall be taken back by the company.
- 9) The Company reserves the right to retain any part or component replaced at its sole discretion during the warranty period.
- 10) In no event the Company or its authorized service center be liable for any consequential damages or resulting liability, damage or loss arising directly or indirectly out of any defect in the Appliance.
- 11) This warranty is not valid in case of the following events:
 - a) If the Product has been installed/Service/Repaired/Opened or tampered by any unauthorized personnel.
 - b) If defects arise/caused by accidents, alteration, misuse, neglect, substitution of original components with spurious/non-genuine components, attacked by household pest/rodents, fire, flood, earthquake, lightning and/or any other act of God/natural calamities.
 - c) The product is shifted outside India.
- 12) For any service under this warranty beyond city/town/municipal limits from the Company/authorized service center, a fixed charge of Rs.50 will be collected from the customer in addition to the actual to and fro charges by the shortest route.
- 13) Any change of location or change in the ownership during the warranty period must be intimated in writing to the Company.
- 14) The Company's employees or its authorized representatives have no authority to vary the terms of this warranty.
- 15) This Warranty is effected in New Delhi and claims, if any, shall be made only before the courts having jurisdiction in New Delhi and no claim shall be made against the Company outside New Delhi notwithstanding that the Appliance may have been sold or delivered elsewhere.

HAIER APPLIANCES (INDIA) PVT LTD. B-1/A-14 Mohan Co-operative Industrial Estate, New Delhi-44

Ph: 26952470/71/72/73. Fax: 011-26971562

Haier

Technology

Customer Name
 Address
Serial No
 Date of purchaseModel.....
 Dealer Seal

Warning!

1. For your use safety, before installing this model of microwave oven, please take out the locating spacer rods from the cavity (as illustrated in Figure 1 of the left), and insert them respectively into the two locating holes at lower part of the cavity rear panel as illustrated, so as to ensure good ventilation between the microwave oven and back wall.
2. No one except the professional technicians can decompose the microwave oven. Electric shock danger may occur!
3. Do not put metal stick into the interlock hole at the front of the cavity . It may cause microwave leakage!
4. Do not add excessive force to opposite direction on the door. Otherwise the door may be deformed and cause microwave leakage.
5. Do not cook food with vacuum package or packed into enclosed container. For the food with skin, remember to puncture it before cooking.
6. Do not cook eggs with shell. It may cause bursting.
7. Remove the grease remained in the cavity. Otherwise it may cause smoking or fire in heating.
8. Do not use the microwave oven for purposes other than cooking.
9. Be sure to earth the microwave oven reliably in installation and usage.
10. Reserve enough space for the rotation of the tray. At least 5cm space above the microwave oven is required for heat radiation.
11. Do not put microwave oven in humid or high-temperature environment.
12. Do not touch the upper part of the shell and the outer screen of the door. It may cause scalding.
13. Do not run the microwave oven without load. It may damage the microwave oven.
14. Do not use metal container to cook with microwave oven. It may cause igniting phenomenon.
15. After long time cooking, the cavity is under high temperature. It is suggested to wait for some time to cool it down before next usage.
16. Before usage, please check if the cooking utensils are applicable for microwave oven.
17. When cooking food with plastic or paper package, be sure to check if it strikes a fire.
18. If there's smoking during cooking with microwave oven, please keep the oven door closed and pull off the power plug.
19. If you heat beverage, it will slowly expand. Be sure to watch out for bursting.
20. For those drinks or food prepared for children, be sure to stir or shake evenly and check the temperature before feeding to avoid scalding.
21. If the door , door frame or door seal is damaged, do not use the oven before it is repaired by the professional technicians.
22. During maintenance, be sure to switch off the power supply . To decompose the shell of the oven, be sure to have it done by professional technicians. The inner components are electrified, and may cause electric shock.
23. Children shall use the microwave oven under the instruction of adult, or use the oven by self after they have received complete instruction and description from the adult. The adult shall teach the children the general knowledge on the danger of operating the microwave oven.
24. The door seal and all of the relative parts shall be cleaned with soap liquor once each week to keep the cavity clean.
25. If the power cord is damaged, only the sellers or professional technicians authorized by the manufacturer can make maintenance to avoid any electric shock danger.
26. If you use cook utensils not recommended by us, be sure to watch out for the cooking proceeding in the microwave oven.
27. If you heat liquor , in handling the liquor , please notice that the boiled liquor may have delayed bursting and cause scalding.

English

Contents

	Page
Electricity schematic diagram	inside of cover sheet
1 Potential dangers	2
Suitable cookware	2/3
2 Where to install the Oven	3
3 Installing the Oven	3
Cautions / Warning	4/5/6/7/8
4 Rating plate	4
5 Plugging in your appliance	4
When operating the microwave oven for the first time	5
6 Using the microwave oven	5
Prevention of smoke or fire in the microwave oven	5/6
How to react when smoke develops in the oven interior	6
7 How to operate your microwave oven	6
Setting the operating mode (power level)	6
Setting the cooking time	6/7
Defrosting	7
Operating modes (power levels)	7
Explanation of international terms used for operating modes	7
8 Cleaning and care	7/8
Warning ! Under no circumstances should you	8
9 Customer support service	8/9
What is when	9
Warning ! The interior lamp may only	9
10 Calling the Customer Support Service	9
11 Guarantee	9
Components	10
Operating panel	11
Warning	12

Caution ! Microwave ovens may only be installed, plugged in and started up in full compliance with the instructions for use. Therefore, please read the instruction manual carefully from start to finish before you start to use your appliance. The manufacturer is not liable for any damage caused by failure to pay heed to the operating instructions when operating the appliance. Highlight the points that are especially important to you and keep this document in a place where it can be consulted at any time and be passed on to future owners. This appliance must be kept out of children's reach.

Important !

The appliance(s) described in this instruction manual is / are solely designed for domestic use and may not be used for professional or commercial purposes.

You have chosen an excellent appliance which will serve you reliably for many years, if it is operated and maintained properly.

Detailed drawings (FIG.) with a legend you shall find on the last pages of this manual.

Should your newly purchased appliance replace an old microwave oven, cut off the power cable of the old appliance as close as possible to the cabinet. Please have the old appliance ecologically disposed off by a company specialized in environmental protection. (ask your civic Center)

Using Your Oven

In the following, please find all important instructions for the use of the oven.

As this manual applies to several microwave ovens, some specifications may differ from model to model.

1. Potential dangers

Caution !

Microwave ovens may only be used to warm up or heat up food or drinks. Never use your microwave oven for other purposes such as drying textiles or other objects, let alone life animals. This may cause acute fire(s) or accident hazard.

1. If you install or start up your microwave oven without first reading the instructions for use:

- Misuse may damage your health and endanger your life.
- Mistakes made in installation and connection may potentially damage the appliance itself and your kitchen furniture

2. Over boiling

- When heated in a microwave oven, liquids may overheat beyond their boiling point without you being able to see it (boiling causes non visible bubbling).

Caution: By merely touching a serving dish as you take it out, steam bubbles may unexpectedly and suddenly form and the liquid in the serving dish may unexpectedly boil over.

(Danger to get severely scalded)

You can prevent such an occurrence, by simply putting a clean glass rod into the dish, filled with liquid. However before removing the serving dish, observe if the boiling liquid bubbles up as usual.

- In mixed food with different moisture levels, the microwaves heat up the moister ingredients far stronger.
- Baby food heated up in glasses or bottles may only be handed to your child after having checked the temperature of the food or drink.
- As different ingredients may be warmed up at varying degrees, the dish/bottle containing baby food may feel only lukewarm, whereas the food inside is far more heated up. For this reason, always shake or stir the baby food evenly so that the heat is distributed.

3. Suitable cooking ware

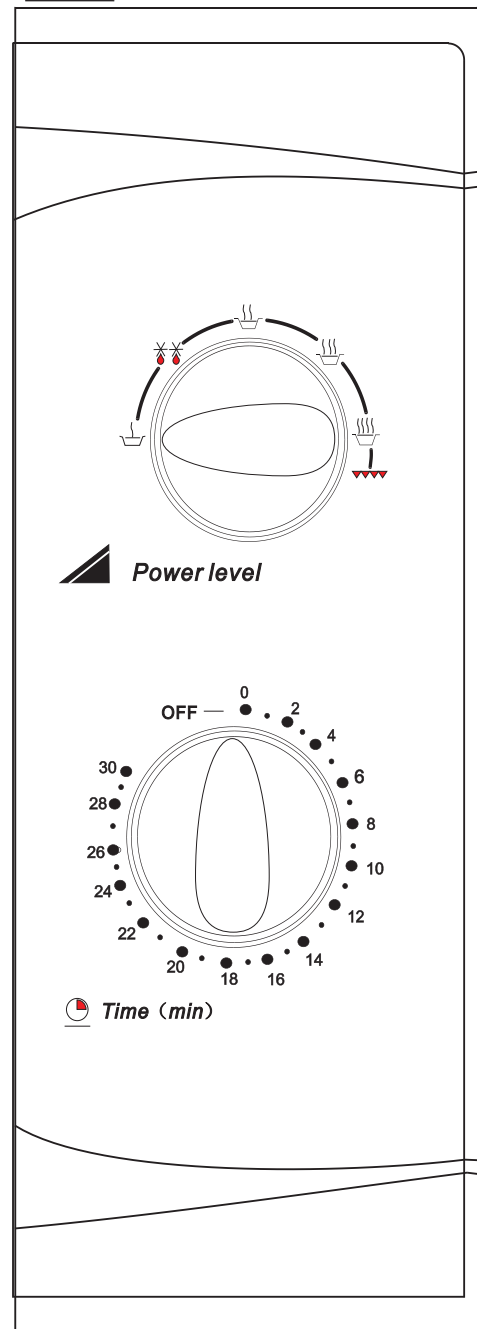
Always ensure that your dishes and pots are compatible with microwave ovens.

Cooking ware made of the following materials is best suited:

- Fire-resistant glass or ceramics
- Heat-resistant and microwave suited plastic
- Heat-resistant porcelain / stoneware

The following materials may be used only for brief operation (e.g. warming up) as long as it is under constant supervision in case of fire and the manufacturer explicitly states that the materials are suitable for microwaves.

FIG .B



Availability of function depending on Model

- TIMER COOKING TIME Setting (WHEN THE TIMER IS OFF, TURN TO THE RIGHT ONLY.)

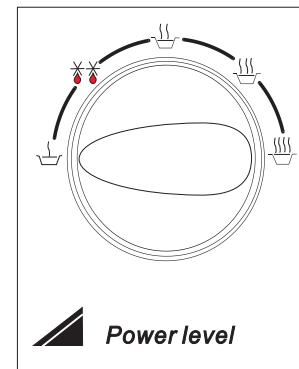


DEPENDENT ON MOD. / TYPE 30 OR 60 MIN.

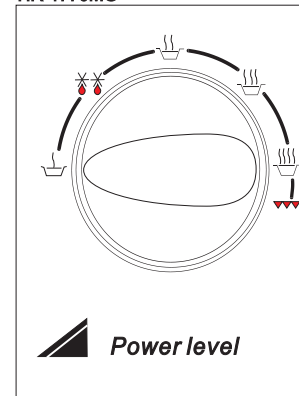
Power level

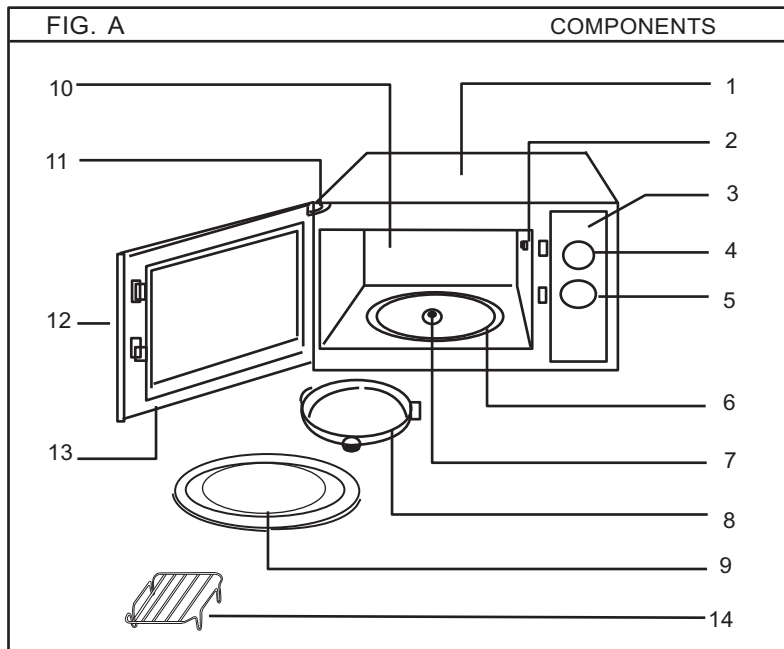
- 1 - LOW/WARM = = Low (keep warm)
- 2 - DEFROST = = Defrost
- 3 - MEDIUM = = Medium cooking level
- 4 - MED. HIGH = = Medium high cooking level
- 5 - HIGH = = High cooking level
- 6 - GRILL = = Grill only (pre browning)

HR-1770M



HR-1770MG





Legend of Components

Availability of components depending on Mod. / Type of appliance

1 - Cabinet	10 - Oven interior
2 - Interior light	11 - Door hinge
3 - Control panel	12 - Door
4 - Power select	13 - Door seal
5 - Timer	14 - Gridiron (For grill model only)
6 - Circular track(for turntable undercarriage)	
7 - Turntable drive	
8 - Turntable undercarriage	
9 - Turntable	

- Wickerwork
- Wood / wooden skewer
- Plastic cups / dishes etc.
- White paper trays / cartons

Very important !

The following items are under no circumstances suitable for microwave cooking:

- Metal containers, cutlery or skewers
- Containers with metal trimming (e.g. gold rim)
- Bags sealed with metal parts (clips)
- Cartons coated with plastic film or foil
- Coloured or recycled paper

Metal objects may trigger off unwanted sparking and potentially damage the appliance.

Coated cartons, coloured or recycled paper may contain substances that may lead to overheating and fire.

If your appliance is also equipped with a fan or a grill function, make sure the dishes you use have a high heat resistance.

2 Where to Install the Oven

1. Before installing your new appliance, you need to check as for visible external damage. Under no circumstances should the appliance be started, if it is damaged.

Therefore, thoroughly check the appliance as for:

- Damaged packaging, indicating that the appliance may have been damaged during shipment
- Damaged cabinet
- Damaged door glass panel
- Visible damage to the cable / plug

If you suspect any damage, please have the appliance tested by the customer support service.

At all costs prevent the emission of any hazardous microwave radiation by not starting up a damaged oven.

3 Installing The Oven:

(FIG. A)

- a) Unpack the appliance
- b) Remove all objects from the inside of the oven.
- c) Carefully remove all plastic films and stickers from:
 - the cabinet
 - the door
 - the Turntable axle - drive shaft

Failure to carefully remove plastic films and stickers may lead to a fire hazard.

d) Clean the oven interior with a damp cloth.

Do not use sharp cleansers or scouring agents!

e) Unpack the turntable (not all models are equipped with) and its undercarriage

- f) Place the undercarriage in the circular track on the oven interior floor.
- g) Lay the turntable onto the undercarriage. By gently turning it, the guide fits into the drive shaft.

- Place the appliance on an even and non-skid surface.

It must be stable enough to easily support the appliance even if the oven contains goods.

- Leave a space of at least 10 cm between the foremost edge of the worktop and the front of the oven door .

You will thus prevent the appliance from tilting forward when the door is open.

- Install the oven in a place where it is protected against splashing water or dripping liquids.

- Never operate the appliance outdoors. Sunlight and humidity may impair operational safety.

- Never expose your microwave oven to direct sunlight (overheating hazard).

- Do not install the appliance in the immediate vicinity of heat sources such as radiators or cookers.

- The following minimum clearances between other objects / walls must be maintained for safety purposes:

- Side l/r clearance at least 5 cm
- Rear clearance at least 10 cm
- Upper clearance at least 30 cm

- The appliance must not be built into a cupboard.

The oven must not be built in underneath a panel or a cupboard.

- For some models a built under - mounting set is commercially available. Please ask your dealer or the respective customer support service.

CAUTION!

During operation clouds of steam escape through the air vents of the appliance and it may get very hot within the space of the above mentioned minimum clearances. The microwave oven should thus be installed so that no objects sensitive to heat or moisture are located near the minimum clearances. Avoid any possible overheating of the oven caused by unintentionally covering or sealing the air vents. When in operation the base of the oven may become very hot. The worktop must thus be accordingly heat-resistant.

4 Rating Plate

The rating plate with technical specifications is located on the cabinet, at the rear of the oven.

5 Plugging in your appliance

Your appliance must be connected to a power socket with grounded connection, which complies with the respective regulations and has been installed by an authorised specialists.

Before plugging the appliance into the wall socket, make sure that the voltage(V) and fuse amperage (A) specified on the rating plate of the oven correspond with the electrical power supply in your home. If these specifications do partly or not at all correspond, immediately contact your local customer support service or your dealer and do not plug in the appliance under any circumstances.

Customer service jobs resulting from improper operation of the oven are liable for payment even during the guarantee period.

What is when.....

- Is the plug firmly inserted in the socket?

- Is the power socket under current?

(test this by plugging in another kitchen appliance)

- Is the fuse intact?

- Was the timer set properly? (first turn beyond the required time and then back accordingly)

- Does the oven door close tightly?

- Is anything stuck in the door?

Under no circumstances should you subject the appliance to any tests other than those described here or attempt to repair it yourself by technical means.

Warning !

The interior lamp may only be replaced by specially trained customer service personnel who is aware of the related dangers.

The appliance works independently from the interior light. It can thus also be operated easily even if the interior lamp has failed.

Steam escaping from the air vent is quite normal during operation. This is not a malfunction.

10 Calling the Customer Support Service

To ensure prompt help when needed, please have ready the following data before calling the customer support service:

- Appliance Type / Model (see rating plate)

- Date of purchase

- Name and location of your dealer

- Description of the malfunction

The address and phone number of the customer support service center responsible for your appliance can be found in the attached customer support service directory , or in the guarantee card.

Otherwise contact your dealer .

11 Guarantee

Please note the general guarantee terms and the guarantee period stated in the attached guarantee card. If the appliance documentation does not include a guarantee card, please contact your dealer.

The manufacturer works constantly at the further development of all products. Please therefore bear this in mind as the form, set up and technology are subject to change, without prior notice.

If you cannot reach the plug, keep the oven door open (also when cleaning the outside).

Only in this way you can prevent the appliance from being switched on when the function keys or switches are inadvertently activated.

1. Cleaning the Cabinet

Caution! Under no circumstances should water or a cleaning fluid get into the inside of the oven.

This is particularly important when cleaning around the air vents or rear wall.

Otherwise serious accidents may ensue due to electric shock and the appliance may be damaged.

- Only use clear water with just a little washing-up liquid for cleaning. Do not under any circumstances use sharp cleaning or scouring agent. Lastly wipe the cabinet dry with a soft cloth.
- Carefully remove food particles and dirt deposits between the door and cabinet, so that the door always shuts properly and tightly.

Warning!

Under no circumstances should you continue to use the appliance if you have detected any damage on the door seal or on the adjoining surfaces. The same applies to damage detected on the door itself or door hinges. Otherwise hazardous microwave radiation may escape from these locations. This kind of damage must be repaired by a trained customer service engineer, before you can use your appliance again.

2. Cleaning the inside of the oven

Never pour water into the oven interiors. Water may enter the interior of the oven through the air vents and damage the appliance. Moreover serious accidents can ensue due to electric shock.

- Clean the oven interior thoroughly. Particles of fat and food may overheat and potentially cause fire hazard. Moreover food and dirt deposits inside the oven affect the performance of the microwave oven.
- Use only clear water with a little washing-up liquid to clean the interior of the oven. Do not under any circumstances use sharp cleaning or acids. Lastly wipe the cooking chamber dry with soft cloth.

3. Cleaning the Turntable

- Thoroughly clean the turntable (if equipped with) after every use to prevent smoke from developing due to food particles.

CAUTION! The turntable might still be hot.

- Likewise clean the turntable undercarriage and the oven interior regularly, so that it always works perfectly.

9 Customer Support Service

Check on the enclosed guarantee card or the separately enclosed customer service directory which firm is responsible for the customer support service of your appliance.

If your appliance documentation does not mention the responsible customer support service, please contact your dealer.

If your appliance does not work despite observance and compliance with all tips and guidelines described in these instructions for use, then please do the following check "What is when...", before you call the customer support service:

When operating the microwave oven for the first time, make sure that:

- The power cable of the oven is not led underneath the oven base, which does get hot, and does not come into contact with sharp edges or hot objects.
- The power cable does not extend into the other kitchen work areas.
- The power cable does not droop from the work top and nobody can get caught in it.
- The power cable does not come into contact with moisture (e.g. when wiping the work top or rinsing).
- The power plug is easily accessible and can quickly be unplugged in case of danger.
- The power plug is always firmly inserted in the socket and loose contact cannot cause any fire hazards.
- Slack power plugs or sockets must be immediately repaired by a skilled electrician.
- No curtains are nearby.

6 Using the Microwave Oven

1. Before switching on the appliance, you should familiarize yourself with the following guidelines:

- Never operate the oven when it is empty.

Otherwise it could get damaged.

To prevent the oven from being operated inadvertently without contents, always leave a glass of water in the cavity when the appliance is out of use.

- Never heat liquids or food(s) in sealed dishes

Within sealed dishes overpressure can quickly develop and thus cause the dish to burst. This leads to potentially serious accidents.

- The following items are also liable to burst due to developing overpressure: eggs in shells, nuts in shells or any food(s) vacuum packed in plastic foil.

Therefore, always pierce raw eggs on two sides and remove the foil or at least cut it open on one whole side, before you put it into the oven. Remove nutshells.

- Should the use of aluminium foil be recommended in a recipe, make sure that it tightly adheres to the cookware or food and a gap of at least 2.5 cm is left between the aluminium foil and the cooking compartment walls.

Otherwise sparking may occur inside the oven and the appliance could consequently get damaged.

- In order to ensure that the seal is constantly protected adequately against hazardous escaping microwaves, always make sure that:

- a) No objects (dishcloths, parts of food packaging etc.) are caught between the door and cabinet ;
- b) Door seal or door hinges are not damaged or soiled (also see section on "Cleaning and Care").

Do not touch - Scalding hazard

During operation your microwave oven may present scalding hazards in the following components:

- on the door - glass panel
- on the lateral air vents
- on the underside of the oven

2. Prevention of smoke or fire in the microwave oven

If food(s) overheats, smoke may develop or smouldering may start inside the oven.

Food(s) with a high sugar or fat content are particularly prone to this hazard.

The microwave oven is therefore not suitable for:

- Popcorn (popcorn should be cooked only in a microwave approved popcorn bag or in a commercial package recommended especially for MWOs.)
- frying
- melting sugar or fats
- cooking dried beans etc.
- When preparing food(s) with uncertain compositions, you should keep an eye on the appliance until the end of the set cooking time.

3. How to react when smoke develops inside the oven

Should smoke or fire develop inadvertently inside the oven, this problem can usually be easily overcome by taking the following correct steps:

- Whatever happens, keep the oven door closed.
- First thing, switch off the appliance immediately
- Then switch off the power supply by unplugging the appliance or activating the fuse safety switch.
- Open the oven to take out the burnt food only when you can no longer detect any smoke.

CAUTION ELECTRIC SHOCK

Under no circumstances should you attempt to extinguish smouldering or burning food inside the oven with water. In this case serious accidents may be caused by electric shock.

7 How to operate your microwave oven (operation panel)

(FIG. B)

1. The controls offer user-friendly operation so that you can quickly familiarize yourself with your appliance and can optimize your use of it after studying the aforementioned and following guidelines and regulations in detail.

Operating tasks are thus restricted to settings:

- desired cooking mode
- desired cooking time

2. You can pause operation at any time by:

- Open the oven door;
- Reset the timer to "0".

3. Setting the operating mode (power level)

Set the respective function symbol (FIG.B) according to the required power level.

Each level corresponds e.g. to around 140 W if the appliance has a total capacity of 700 W or to around 160 W if the appliance has a total capacity of 800 W.

The operating mode switch can also be set between the levels, if your cooking recipe recommends a lower or higher wattage.

4. Setting the cooking time

Timer (FIG. B)

By turning the timer clockwise you can set the cooking time up to max. 30 Min. respectively 60 Min. (depends on Mod./Type)

Please make sure you do not turn the timer over its limit.

Caution ! The cooking process will immediately start as soon as you move the timer from position "0" and the oven door is shut. Therefore, leave the door open and only close it when you have correctly entered all settings.

If you wish to set the cooking time to less than the max. time, turn the timer first to max. 30 / 60 min. and then back to the desired cooking time. It will thus work more accurately.

In most models a warning beeper will sound when the timer has elapsed.

For cooking times longer than 30 / 60 min. you can simply set the timer again when the first time period has elapsed.

5. Defrosting

This function facilitates the thawing of frozen food.

- First use the operating mode switch to select the mode (Defrost)
- Now set the timer according to the weight of the food you wish to defrost. It takes around 15 - 20 min. to defrost every 100 g of frozen food.

6. Operating Modes (power levels)

The operating steps (power levels) are shown on the oven front panel with symbols. For this, please note the description of the function of each symbol (Fig. B)

7. Explanation of international terms used for operating modes (power levels)

1 - LOW/WARM	= Low (keep warm)
2 - MED.LOW	= Medium low cooking level
3 - DEFROST	= Defrost
4 - MEDIUM	= Medium cooking level
5 - MED. HIGH	= Medium high cooking level
6 - HIGH	= High cooking level
7 - GRILL	= Grill only (pre browning)
8 - COMBI 1	= Low cooking and brewing
9 - COMBI 2	= Medium cooking + brewing
10 - COMBI 3	= High cooking + brewing
11 - CONVECT.	= Convection / hot air fan

Depending on the oven model some or all of these operating functions will be available.

Excellent cookbooks on microwave cooking are commercially available.

Such cookbooks are highly recommended, if you have not yet had any experience with microwave ovens.

8 .Cleaning and care

Caution !

The microwave oven must be unplugged from the power supply before cleaning it (on the external or interior side).

Pull out the power plug, or activate fuse safety switch.