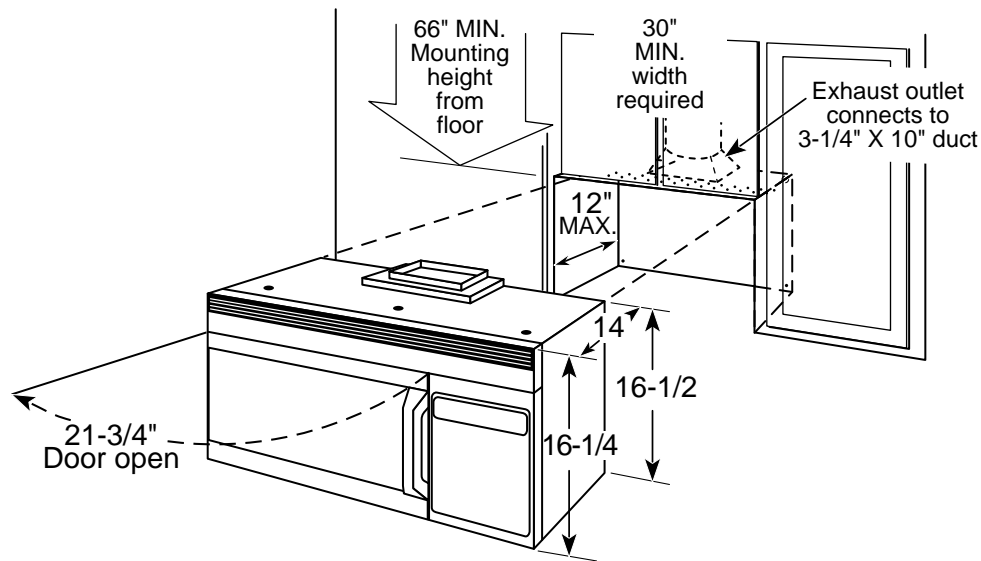




GE Appliances

## JVM1340AW—GE SpacemakerXL Microwave Oven

Dimensions (in inches)



Note: Requires 120V grounded outlet. Electrical receptacle must be located in cabinet above SpacemakerXL microwave oven. No additional wiring, venting or cabinet rebuilding necessary in many cases. Complete detailed, easy-to-follow installation instructions and convenient full-size templates are packed with the SpacemakerXL microwave oven.

Important Information: When installing the SpacemakerXL microwave oven over a range, allow minimum of 2" from bottom of SpacemakerXL microwave oven to top of range backguard to allow for removal of light covers.

Ventilation Options: The SpacemakerXL microwave ovens are designed for adaptation to the following three types of ventilation:

- Outside exhaust (vertical—as shown)
- Outside exhaust (horizontal)
- Recirculating (non-vented ductless—see Filter Kit drawing)

Installation Information: This information is not intended to be used for installing unit described. Before installing, consult installation instructions packed with product/kit for current dimensional data.



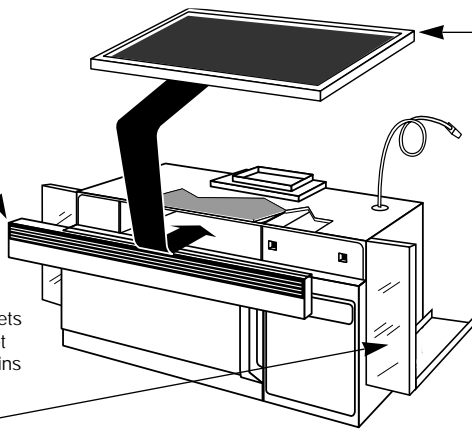
GE Appliances

## JVM1340AW—GE SpacemakerXL Microwave Oven

Optional Accessories (Available at additional cost)

**Filler Panel Kits**  
**JX40AL**—Almond

When replacing a 36" or 42" range hood, this kit fills in the additional width to provide a custom, built-in appearance. For installation between cabinets only; not for end-of-cabinet installation. Each kit contains two, 3"-wide filler panels. Two kits are needed for a 42" opening.



**Filter Kits**

**JX81A**—Recirculating Charcoal Filter Kit  
To be used when the SpacemakerXL microwave oven cannot be vented to the outside.

**JX22SS**—Stainless Steel Decorative Panel Kit  
When replacing a Hi/Low range with a SpacemakerXL microwave oven over a range model, this panel kit fills in the area between the microwave and range left by the Hi/Low model.

Optional Accessories	
Recirculating Charcoal Filter Kit	JX81A
Filler Panel Kit	JX40AL
Decorative Panel Kit	JX22SS

For answers to your GE Monogram™, GE Profile™, GE, Hotpoint and RCA appliance questions, call GE Answer Center® service, 800.626.2000.

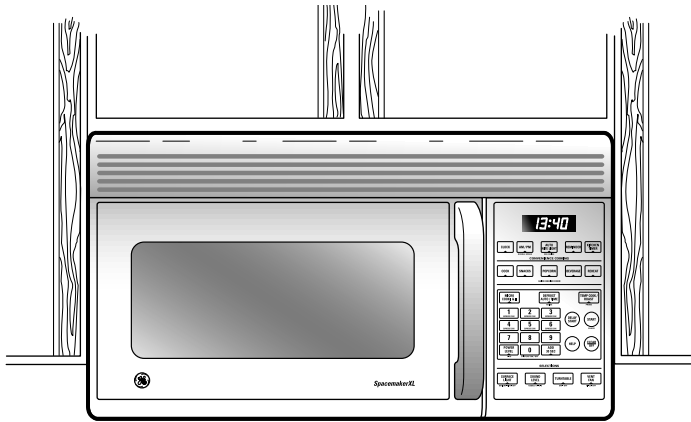


Listed by  
Underwriters  
Laboratories



GE Appliances

## JVM1340AW—GE SpacemakerXL Microwave Oven



### Features and Benefits

- Almond on almond Model
- 1.3 cu. ft. Oven Cavity
- 900 Watts\*
- CircuWave™ Plus Cooking System
- Turntable On/Off
- SmartControl System With Interactive Display
- Help Pad
- Convenience Cooking Controls For Popcorn, Beverage, Reheat, Snacks and Cook Pads
- Dual Rack
- Temp Cook/Roast
- Micro Cook I & II
- Auto Defrost/Time Defrost
- Express Cook
- Add 30 Seconds
- Instant On Controls
- Timer On/Off
- Child Lock Out
- Beeper Volume Control
- Programmable Nite Light
- Also Available In Black on black as Model JVM1340BW and White on white as Model JVM1340WW