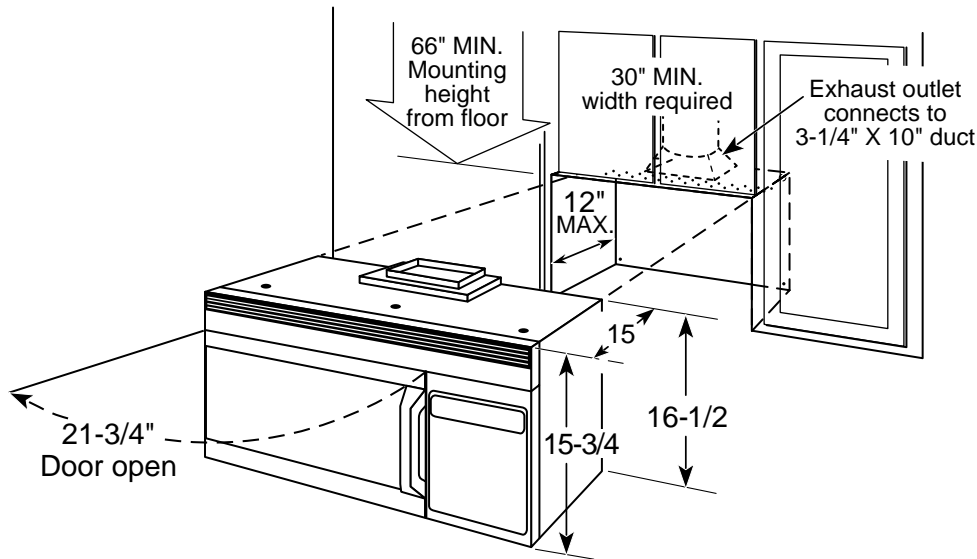




GE Appliances

## JVM1851BD/CD/WD - GE 1.8 Cu. Ft. Spacemaker Over-the-Range Microwave Oven

### Dimensions (in inches)



**Note:** Requires 120V grounded outlet. Electrical receptacle must be located in cabinet above Spacemaker microwave oven. No additional wiring, venting or cabinet rebuilding necessary in many cases. Complete detailed, easy-to-follow installation instructions and convenient full-size templates are packed with the Spacemaker microwave oven.

**Important Information:** When installing the Spacemaker microwave oven over a range, allow minimum of 2" from bottom of Spacemaker microwave oven to top of range backguard to allow for removal of light covers.

**Ventilation Options:** The Spacemaker microwave ovens are designed for adaptation to the following three types of ventilation:

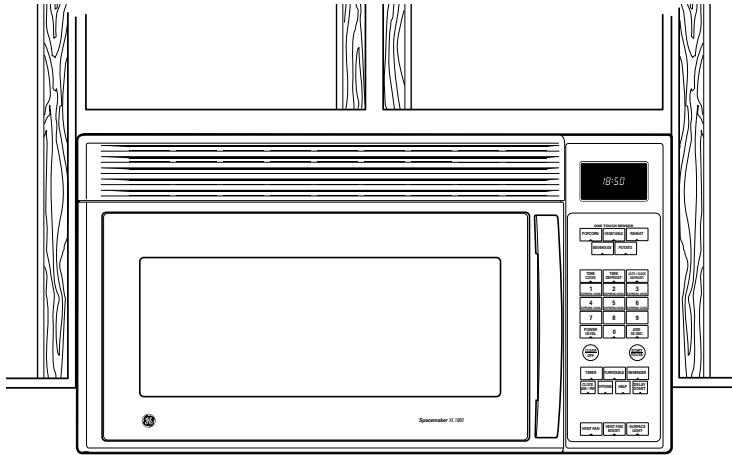
- Outside exhaust (vertical—as shown)
- Outside exhaust (horizontal)
- Recirculating (non-vented ductless—see Filter Kit drawing)

**Installation Information:** This information is not intended to be used for installing unit described. Before installing, consult installation instructions packed with product/kit for current dimensional data.



**GE Appliances**

## **JVM1851BD/CD/WD - GE 1.8 Cu. Ft. Spacemaker Over-the-Range Microwave Oven**



### **Features and Benefits**

- 1.8 cu. ft. Capacity
- 1000 Watts<sup>®</sup>
- SmartControl System with Interactive Display
- Electric Scrolling Digital Display with Clock and AM/PM Pad
- Sensor Cooking Controls for Beverage, Popcorn, Potatoes, Reheat and Vegetables
- Custom Pads
- Display On/Off (Multilingual)
- Express Cook (1-6 mins.) with Instant-On Controls
- Auto Defrost/Time Defrost/Quick Defrost
- CircuWave™ 1000 with 10 Power Levels
- Wire Oven Cooking Rack
- Halogen Cavity Light
- Full-View Cooktop Halogen Lighting with Programmable Night Light
- Two-Speed, High-Capacity Exhaust Fan with Boost
- Easy Mount Installation
- Big View Window and Designer-Style Handle
- Non-Vented Model
- Model JVM1851WD - White on white
- Model JVM1851BD - Black on black
- Model JVM1851CD - Bisque

\*IEC-705 Test Procedure