

JVM1871SH

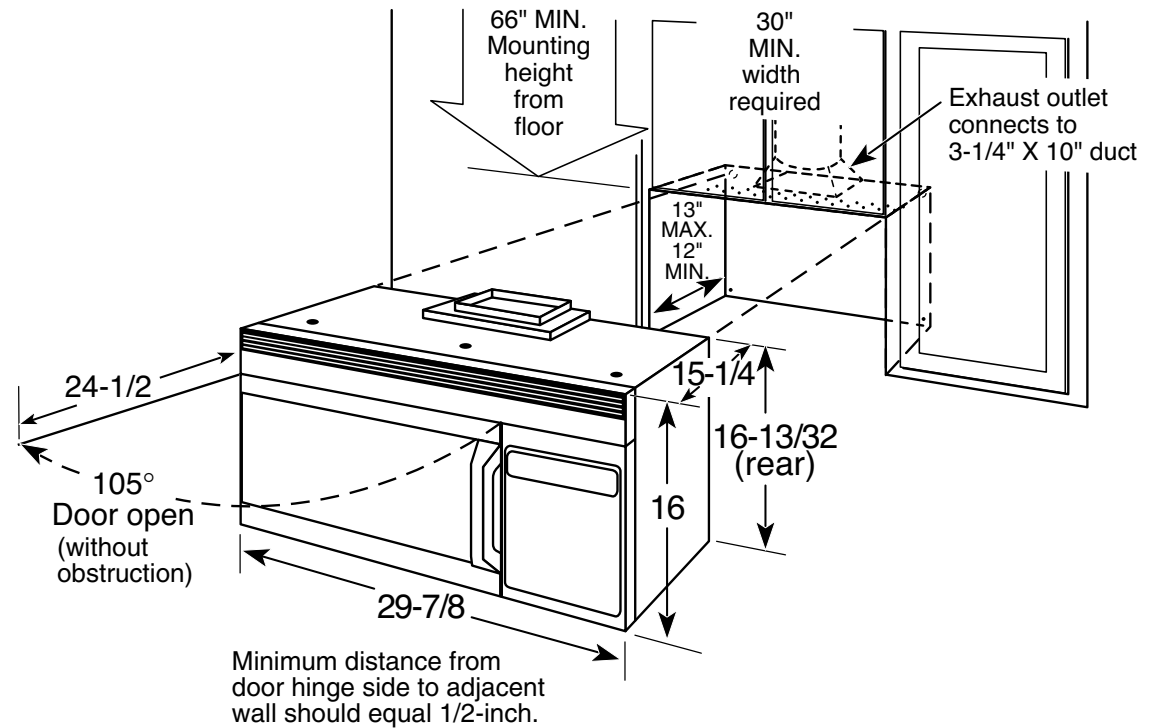
GE Profile™ Spacemaker® 1.8 Cu. Ft. Over-the-Range Microwave Oven

Dimensions and Installation Information (in inches)

Note: Requires 120V grounded outlet. Electrical receptacle must be located in cabinet above Spacemaker microwave oven. No additional wiring, venting or cabinet rebuilding necessary in many cases. Complete detailed, easy-to-follow installation instructions and convenient full-size templates are packed with the Spacemaker microwave oven.

Important Information: When installing the Spacemaker microwave oven over a range, allow minimum of 2" from bottom of Spacemaker microwave oven to top of range backguard to allow for removal of light covers.

Installation Information: This information is not intended to be used for installing unit described. Before installing, consult installation instructions packed with product/kit for current dimensional data.



For answers to your Monogram®, GE Profile™ or GE® appliance questions, visit our website at ge.com or call GE Answer Center® service, 800.626.2000.



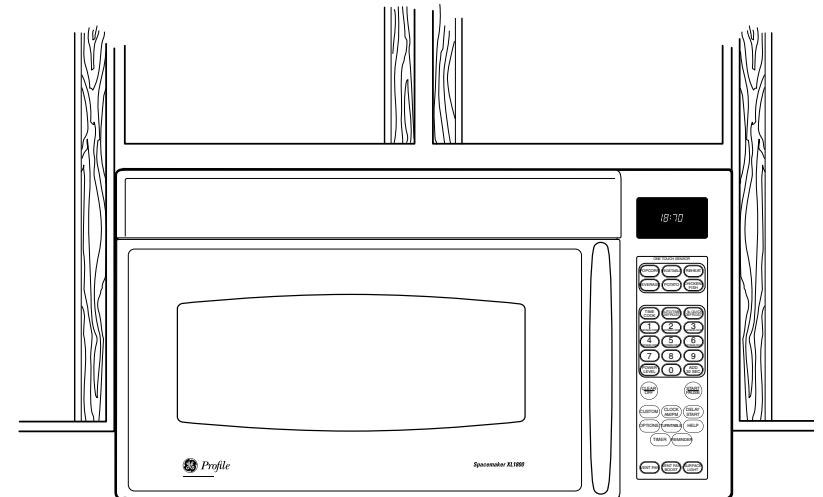
JVM1871SH

GE Profile™ Spacemaker® 1.8 Cu. Ft. Over-the-Range Microwave Oven

Features and Benefits

- 1.8 Cu. Ft. Cavity/Powerful 1100 Watts*
- Electronic Touch Controls
- Custom Pad and One Touch Sensor Cooking Controls for Chicken, Fish, Beverage, Popcorn, Potatoes, Reheat and Vegetables
- Recessed Turntable (On/Off) and Two Cooking Racks
- SmartControl System with Interactive Two Line, Biligual Electric Scrolling Digital Display
- Auto Defrost/Time Defrost/1 Lb. Quick Defrost
- Delay Start with Reminder
- Clock and AM/PM Pad
- Display On/Off
- Express Cook (1-6 mins.) with Instant-On Controls
- CircuWave™ 1100 with 10 Power Levels
- Cooking Complete Reminder with Beeper Volume Control
- Easy Mount Installation
- Bright View Window and Sculptured Handle
- Non-Vented Model
- Model JVM1871SH – Stainless steel

*IEC-705 Test Procedure



imagination at work



Listed by
Underwriters
Laboratories